



ADAPTER POWER SUPPLY

## AC-DC 12W

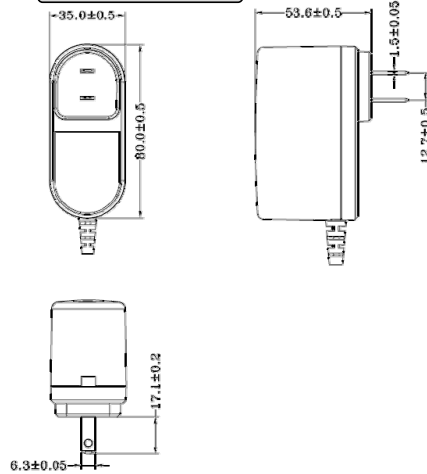
### CT-064WU12

#### Features:

- Universal AC Input 90~264Vac
- Low ripple noise
- Meet CEC requirement
- 100% burn in test
- 1 year warranty
- UL,cUL,,FCC
- Meet EPS 2.0 LEVEL V



#### Dimension:



Model No.	Output	Additional Safety
CT-064WU12	12V 0.5A	

#### Specification:

REV.01 2010.08.19



Input	Voltage	AC 90V~264V Universal full range
	Frequency	47-63Hz
	Current	200mA
	Leakage Current	< 0.25mA
Others	Start up time	<1000mS @ Minimum AC input
	Rise time	<100mS
	Hold up time	>10mS @ 110Vac/60Hz input
	Cooling	Natural Cooling
Environment	Temperature	Operating: 0~40°C;Storage: -10~+75°C
	Humidity	Operating: 20%~85%;Storage: 10%~95%(Non Conversing)
M.T.B.F		50k Hours
Safety		UL 60950-1,CSA C22.2 No.60950-1,-1,
EMC	EMI	FCC PART 15 , EN55022 , EN61000-3
	EMS	EN55024(EN61204-3) EN61000-4





ADAPTER POWER SUPPLY

## AC-DC 10W/12W

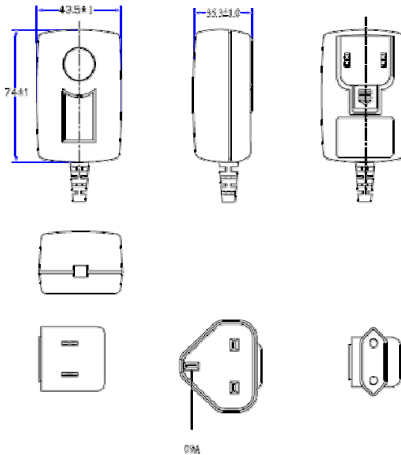
### CT-122WPXX

#### Features:

- Universal AC Input 90~264Vac
- Low ripple noise
- No minimum load requirement
- 100% burn in test
- 1 year warranty
- UL,cUL,FCC,GS,CB,CE, standard
- Efficiency meet CEC
- Meet EPS 2.0 LEVEL V



#### Dimension:



Model No.	Output		Additional Safety
CT-122WP05	5V	2A	RCM
CT-122WP12	12V	1A	

#### Specification:

REV.02 2009.10.27



Input	Voltage	AC 90V~264V Universal full range
	Frequency	47-63Hz
	Current	400mA
	Leakage Current	< 0.1mA
Others	Start up time	<3000mS @ Minimum AC input
	Rise time	<30mS
	Hold up time	>20mS @ 230Vac/50Hz input
	Cooling	Natural Cooling
Environment	Temperature	Operating: 0~40°C;Storage: -10~+70°C
	Humidity	Operating: 20%~85%;Storage: 10%~95%(Non Converting)
M.T.B.F	50k Hours	
Safety	UL 60950-1,CSA C22.2 No 60950-1, GS EN60950-1,CB IEC 60950-1,	
EMC	EMI	FCC CFR 47 PART 15 , EN55022 , EN61204-3
	EMS	EN55024, EN61204-3





ADAPTER POWER SUPPLY

## AC-DC 10W/12W

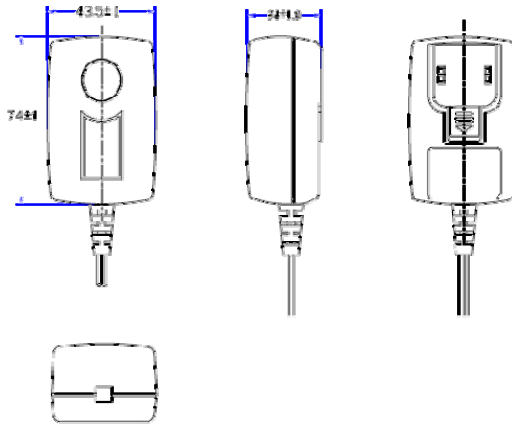
### CT-122WPXX

#### Features:

- Universal AC Input 90~264Vac
- Low ripple noise
- No minimum load requirement
- 100% burn in test
- 1 year warranty
- UL,cUL,GS,CB,CE, standard
- Efficiency meet CEC



#### Dimension:



Model No.	Output	Additional Safety
CT-122WP24	24V 0.5A	
CT-122WP48	48V 0.25A	

#### Specification:

REV.01 2009.10.12



Input	Voltage	AC 90V~264V Universal full range
	Frequency	47-63Hz
	Current	400mA
	Leakage Current	< 0.1mA
Others	Start up time	<3000mS @ Minimum AC input
	Rise time	<35mS
	Hold up time	>20mS @ 230Vac/50Hz input
	Cooling	Natural Cooling
Environment	Temperature	Operating: 0~40°C;Storage: -10~+70°C
	Humidity	Operating: 20%~85%;Storage: 10%~95%(Non Conversing)
M.T.B.F	50k Hours	
Safety	UL 60950-1,CSA C22.2 No 60950-1, GS EN60950-1,CB IEC 60950-1,	
EMC	EMI	FCC CFR 47 PART 15 , EN55022 , EN61204-3
	EMS	EN55024, EN61204-3





ADAPTER POWER SUPPLY

## AC-DC 12W

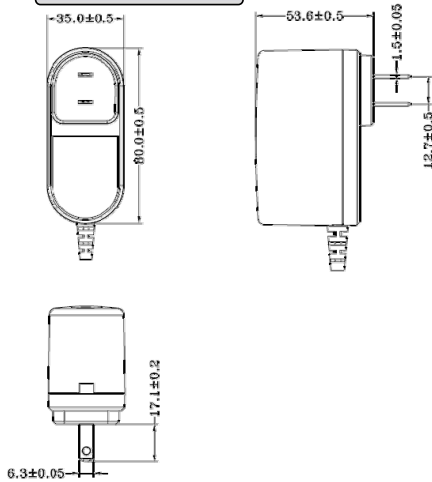
### CT-123WU12

#### Features:

- Universal AC Input 90~264Vac
- Low ripple noise
- Meet CEC requirement
- 100% burn in test
- 1 year warranty
- UL,cUL,CB,PSE,FCC
- Meet EPS 2.0 LEVEL V



#### Dimension:



Model No.	Output		Additional Safety
CT-123WU05	5V	2.5	
CT-123WU12	12V	1A	

#### Specification:

REV.01 2009.10.26



Input	Voltage	AC 90V~264V Universal full range
	Frequency	47-63Hz
	Current	300mA
	Leakage Current	< 0.25mA
Others	Start up time	<300mS @ Minimum AC input
	Rise time	<100mS
	Hold up time	>10mS @ 110Vac/60Hz input
	Cooling	Natural Cooling
Environment	Temperature	Operating: 0~40°C;Storage: -10~+75°C
	Humidity	Operating: 20%~85%;Storage: 10%~95%(Non Converting)
M.T.B.F	50k Hours	
Safety	UL 60950-1,CSA C22.2 No.60950-1,-1,IEC 60950-1	
EMC	EMI	FCC PART 15 , EN55022 , EN61000-3
	EMS	EN55024(EN61204-3) EN61000-4





ADAPTER POWER SUPPLY

## AC-DC 12W

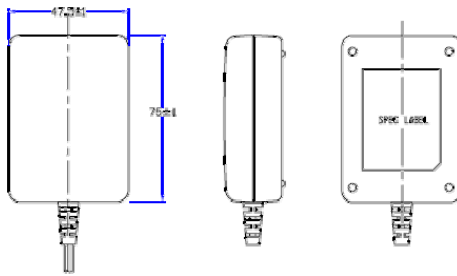
### CT-124DAXX

#### Features:

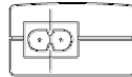
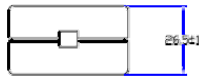
- Universal AC Input 90~264Vac
- No minimum load requirement
- 100% burn in test
- 1 year warranty
- UL,cUL,GS,CB,CE standard
- Meet EPS 2.0 LEVEL V



#### Dimension:



Model No.	Output		Additional Safety
CT-124DA05	5V	2.0	
CT-124DA06	6V	2.0	
CT-124DA09	9V	1.33	
CT-124DA12	12V	1.0	
CT-124DA15	15V	0.8	
CT-124DA18	18V	0.67	
CT-124DA24	24V	0.5	



#### Specification:

REV.01 2009.12.04



Input	Voltage	AC 90V~264V Universal full range
	Frequency	47-63Hz
	Current	300mA
	Leakage Current	< 0.25mA
Others	Start up time	<5000mS @ Minimum AC input
	Rise time	<100mS
	Hold up time	>20mS @ 230Vac/50Hz input
	Cooling	Natural Cooling
Environment	Temperature	Operating: 0~40°C;Storage: -10~+75°C
	Humidity	Operating: 20%~85%;Storage: 10%~95%(Non Converting)
M.T.B.F	50k Hours	
Safety	UL 60950-1,CSA C22.2 No.60950-1,EN60950-1,IEC 60950-1	
EMC	EMI	FCC CFR 47 PART 15 , EN55022 , EN61000-3
	EMS	EN55024(EN61204-3) EN61000-4





ADAPTER POWER SUPPLY

## AC-DC 12W

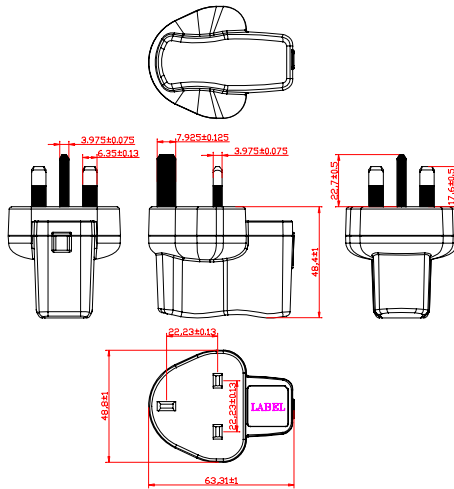
### CT-12DWEXX

#### Features:

- Universal AC Input 90~264Vac
- Low ripple noise
- No minimum load requirement
- 100% burn in test
- 1 year warranty
- GS,CB,CE standard
- Meet EPS 2.0 LEVEL V



#### Dimension:



Model No.	Output	Additional Safety
CT-12DWE05	5V 2A	
CT-12DWE09	9V 1.5A	
CT-12DWE10	10V 1.2A	
CT-12DWE12	12V 1.0A	
CT-12DWE15	15V 0.8A	
CT-12DWE18	18V 0.67A	
CT-12DWE24	24V 0.5A	

#### Specification:

REV.01 2011.3.2



Input	Voltage	AC 90V~264V Universal full range
	Frequency	47-63Hz
	Current	300mA
	Leakage Current	< 0.25mA
Others	Start up time	< 2000mS @ Minimum AC input
	Rise time	< 20mS
	Hold up time	> 20mS @ 230Vac/50Hz input
	Cooling	Natural Cooling
Environment	Temperature	Operating: 0~40°C; Storage: -10~+75°C
	Humidity	Operating: 20%~85%; Storage: 10%~95%(Non Conversing)
M.T.B.F	50k Hours	
Safety	UL 60950-1, CSA C22.2 No.60950-1, EN60950-1, IEC 60950-1	
EMC	EMI	FCC CFR 47 PART 15 , EN55022 , EN61000-3
	EMS	EN55024(EN61204-3) EN61000-4





ADAPTER POWER SUPPLY

## AC-DC 12W

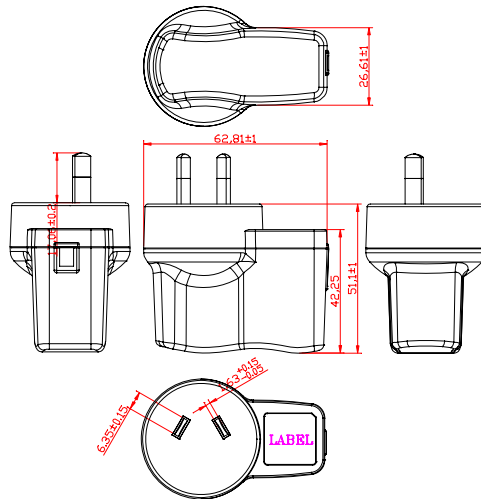
### CT-12DWSXX

#### Features:

- Universal AC Input 90~264Vac
- Low ripple noise
- No minimum load requiemnt
- 100% burn in test
- 1 year warranty
- RCM,CB,CE standard
- Meet EPS 2.0 LEVEL V



#### Dimension:



Model No.	Output		Additional Safety
CT-12DWS05	5V	2A	
CT-12DWS09	9V	1.5A	
CT-12DWS10	10V	1.2A	
CT-12DWS12	12V	1.0A	
CT-12DWS15	15V	0.8A	
CT-12DWS18	18V	0.67A	
CT-12DWS24	24V	0.5A	

#### Specification:

REV.01 2011.3.2



Input	Voltage	AC 90V~264V Universal full range
	Frequency	47-63Hz
	Current	300mA
	Leakage Current	< 0.25mA
Others	Start up time	< 2000mS @ Minimum AC input
	Rise time	< 20mS
	Hold up time	> 20mS @ 230Vac/50Hz input
	Cooling	Natural Cooling
Environment	Temperature	Operating: 0~40°C;Storage: -10~+75°C
	Humidity	Operating: 20%~85%;Storage: 10%~95%(Non Conversing)
M.T.B.F	50k Hours	
Safety	UL 60950-1,CSA C22.2 No.60950-1,EN60950-1,IEC 60950-1	
EMC	EMI	FCC CFR 47 PART 15 , EN55022 , EN61000-3
	EMS	EN55024(EN61204-3) EN61000-4





ADAPTER POWER SUPPLY

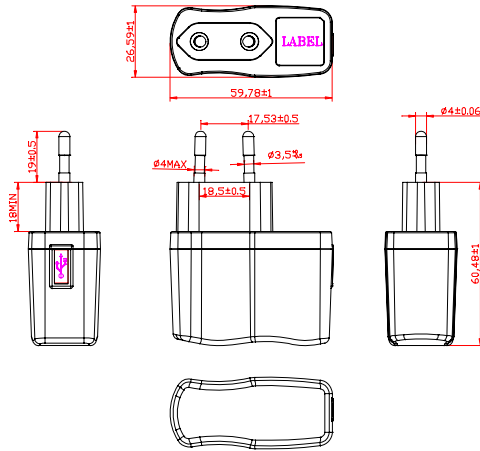
## AC-DC 12W

### CT-12DWTXX

#### Features:

- Universal AC Input 90~264Vac
- Low ripple noise
- No minimum load requirement
- 100% burn in test
- 1 year warranty
- GS,CB,CE standard
- Meet EPS 2.0 LEVEL V

#### Dimension:



Model No.	Output		Additional Safety
CT-12DWT05	5V	2A	
CT-12DWT09	9V	1.5A	
CT-12DWT10	10V	1.2A	
CT-12DWT12	12V	1.0A	
CT-12DWT15	15V	0.8A	
CT-12DWT18	18V	0.67A	
CT-12DWT24	24V	0.5A	

#### Specification:

REV.01 2011.3.2



Input	Voltage	AC 90V~264V Universal full range
	Frequency	47-63Hz
	Current	300mA
	Leakage Current	< 0.25mA
Others	Start up time	< 2000mS @ Minimum AC input
	Rise time	< 20mS
	Hold up time	> 20mS @ 230Vac/50Hz input
	Cooling	Natural Cooling
Environment	Temperature	Operating: 0~40°C; Storage: -10~+75°C
	Humidity	Operating: 20%~85%; Storage: 10%~95%(Non Converting)
M.T.B.F	50k Hours	
Safety	UL 60950-1, CSA C22.2 No.60950-1, EN60950-1, IEC 60950-1	
EMC	EMI	FCC CFR 47 PART 15, EN55022, EN61000-3
	EMS	EN55024(EN61204-3) EN61000-4







CET TECHNOLOGY, LLC

# 12W - Switching Power Supplies

ADAPTER POWER SUPPLY

## AC-DC 12W

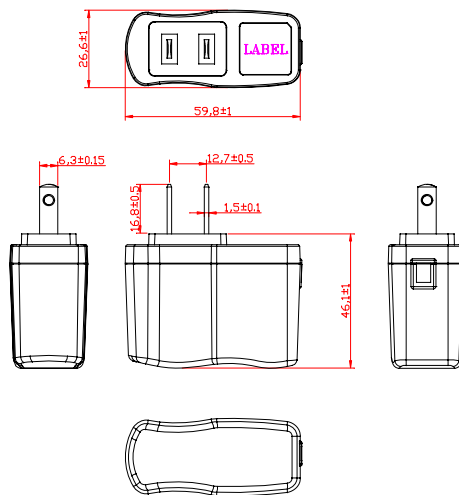
### CT-12DWUXX

#### Features:

- Universal AC Input 90~264Vac
- Low ripple noise
- No minimum load requirement
- 100% burn in test
- 1 year warranty
- UL,cUL,CB,FCC standard
- Meet EPS 2.0 LEVEL V



#### Dimension:



Model No.	Output		Additional Safety
CT-12DWU05	5V	2A	
CT-12DWU09	9V	1.5A	
CT-12DWU10	10V	1.2A	
CT-12DWU12	12V	1.0A	
CT-12DWU15	15V	0.8A	
CT-12DWU18	18V	0.67A	
CT-12DWU24	24V	0.5A	

#### Specification:

REV.01 2011.3.2



Input	Voltage	AC 90V~264V Universal full range
	Frequency	47-63Hz
	Current	300mA
	Leakage Current	< 0.25mA
Others	Start up time	< 2000mS @ Minimum AC input
	Rise time	< 20mS
	Hold up time	> 20mS @ 230Vac/50Hz input
	Cooling	Natural Cooling
Environment	Temperature	Operating: 0~40°C;Storage: -10~+75°C
	Humidity	Operating: 20%~85%;Storage: 10%~95%(Non Converting)
M.T.B.F	50k Hours	
Safety	UL 60950-1, CSA C22.2 No.60950-1, EN60950-1, IEC 60950-1	
EMC	EMI	FCC CFR 47 PART 15 , EN55022 , EN61000-3
	EMS	EN55024(EN61204-3) EN61000-4

