



ADAPTER POWER SUPPLY

## AC-DC 90W

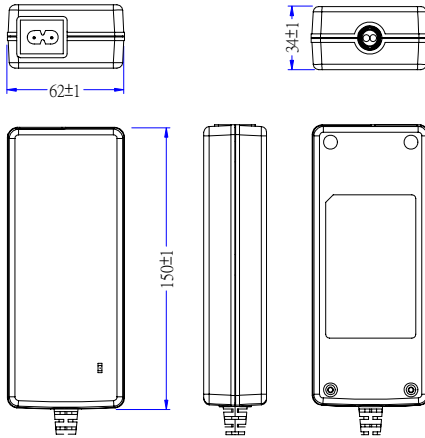
### CT-902DAxx

#### Features:

- Universal AC Input 90~264Vac
- Low ripple noise
- No minimum load requirement
- 100% burn in test
- 1 year warranty
- UL,cUL,GS,CB,CE,FCC standard
- EFFICIENCY LEVEL IV



#### Dimension:



| Model No.  | Output    | Additional Safety |
|------------|-----------|-------------------|
| CT-902DA12 | 12V 7.5A  |                   |
| CT-902DA19 | 19V 4.74A |                   |
| CT-902DA24 | 24V 3.75A |                   |

#### Specification:



|             |   |  |
|-------------|---|--|
| Input       | Voltage   | AC 90V~264V Universal full range         |
|             | Frequency   | 47-63Hz                                  |
|             | Current   | 1.5A                                     |
|             | Leakage Current                                       | < 0.25mA                                 |
| Others      | Start up time   | < 2000mS @ Minimum AC input              |
|             | Rise time   | < 50mS                                   |
|             | Hold up time  | > 20mS @ 230Vac/50Hz input               |
|             | Cooling   | Natural Cooling                          |
| Environment | Temperature   | Operating: 0~40°C;Storage: -10~+75°C     |
|             | Humidity  | Operating: 20%~85%;Storage: 10%~95%      |
| M.T.B.F     | 50k Hours   |  |
| Safety      | UL 60950-1/CSA C22.2 No.60950-1,EN60950-1,IEC 60950-1 |  |
| EMC         | EMI   | FCC CFR 47 PART 15 , EN55022 , EN61000-3 |
|             | EMS   | EN55024(EN61204-3) EN61000-4             |





ADAPTER POWER SUPPLY

## AC-DC90W

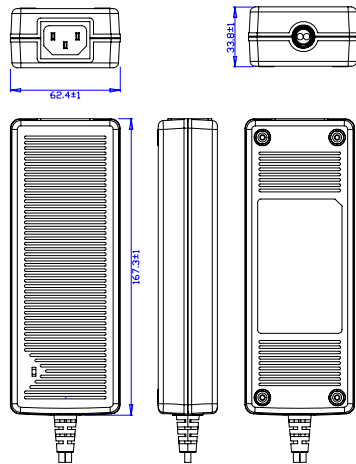
### CT-902DBxx

#### Features:

- Universal AC Input 90~264Vac
- Low ripple noise
- No minimum load requirement
- 100% burn in test
- 1 year warranty
- UL,cUL,GS,CB,CE,FCC standard
- EFFICIENCY LEVEL IV



#### Dimension:



| Model No.  | Output |       | Additional Safety |
|------------|--------|-------|-------------------|
| CT-902DB12 | 12V    | 7.5A  |                   |
| CT-902DB19 | 19V    | 4.74A |                   |
| CT-902DB24 | 24V    | 3.75A |                   |

#### Specification:



|             |   |  |
|-------------|---|--|
| Input       | Voltage   | AC 90V~264V Universal full range         |
|             | Frequency   | 47-63Hz                                  |
|             | Current   | 1.5 A                                    |
|             | Leakage Current                                       | < 0.25mA                                 |
| Others      | Start up time   | < 2000mS @ Minimum AC input              |
|             | Rise time   | < 50mS                                   |
|             | Hold up time  | > 20mS @ 230Vac/50Hz input               |
|             | Cooling   | Natural Cooling                          |
| Environment | Temperature   | Operating: 0~40°C;Storage: -10~+75°C     |
|             | Humidity  | Operating: 20%~85%;Storage: 10%~95%      |
| M.T.B.F     | 50k Hours   |  |
| Safety      | UL 60950-1/CSA C22.2 No.60950-1,EN60950-1,IEC 60950-1 |  |
| EMC         | EMI   | FCC CFR 47 PART 15 , EN55022 , EN61000-3 |
|             | EMS   | EN55024(EN61204-3) EN61000-4             |





ADAPTER POWER SUPPLY

## AC-DC 90W

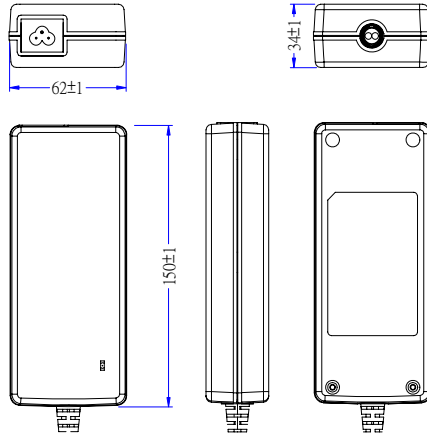
### CT-902DNxx

#### Features:

- Universal AC Input 90~264Vac
- Low ripple noise
- No minimum load requirement
- 100% burn in test
- 1 year warranty
- UL, cUL, GS, CB, CE, FCC standard
- EFFICIENCY LEVEL IV



#### Dimension:



| Model No.  | Output |       | Additional Safety |
|------------|--------|-------|-------------------|
| CT-902DN12 | 12V    | 7.5A  |                   |
| CT-902DN19 | 19V    | 4.74A |                   |
| CT-902DN24 | 24V    | 3.75A |                   |

#### Specification:



|             |                 |   |
|-------------|-----------------|---|
| Input       | Voltage         | AC 90V~264V Universal full range                        |
|             | Frequency       | 47-63Hz   |
|             | Current         | 1.5 A   |
|             | Leakage Current | < 0.25mA  |
| Others      | Start up time   | < 2000mS @ Minimum AC input                             |
|             | Rise time       | < 50mS  |
|             | Hold up time    | >20mS @ 230Vac/50Hz input                               |
|             | Cooling         | Natural Cooling   |
| Environment | Temperature     | Operating: 0~40°C; Storage: -10~+75°C                   |
|             | Humidity        | Operating: 20%~85%; Storage: 10%~95%                    |
| M.T.B.F     |                 | 50k Hours   |
| Safety      |                 | UL 60950-1/CSA C22.2 No.60950-1, EN60950-1, IEC 60950-1 |
| EMC         | EMI             | FCC CFR 47 PART 15 , EN55022 , EN61000-3                |
|             | EMS             | EN55024(EN61204-3) EN61000-4                            |





ADAPTER POWER SUPPLY

## AC-DC 90W

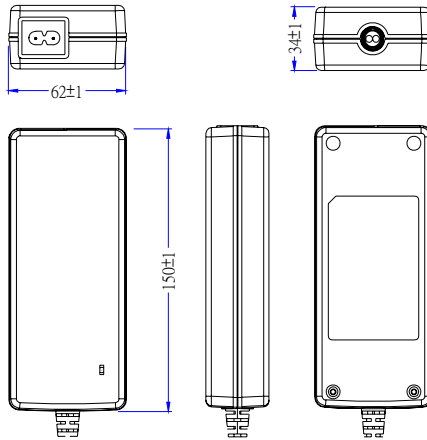
### CT-903DAxx

#### Features:

- Universal AC Input 90~264Vac
- Low ripple noise
- No minimum load requirement
- 100% burn in test
- 1 year warranty
- UL,cUL,GS,CB,CE,FCC standard
- Meet EPS 2.0 LEVEL V



#### Dimension:



| Model No.  | Output |        | Additional Safety |
|------------|--------|--------|-------------------|
| CT-903DA12 | 12V    | 7.5A   |                   |
| CT-903DA19 | 19V    | 4.74A  |                   |
| CT-903DA24 | 24V    | 3.75A  |                   |
| CT-903DA48 | 48V    | 1.875A |                   |

#### Specification:



|             |   |  |
|-------------|---|--|
| Input       | Voltage   | AC 90V~264V Universal full range                     |
|             | Frequency   | 47-63Hz  |
|             | Current   | 1.5 A  |
|             | Leakage Current                                       | < 0.25mA   |
| Others      | Start up time   | < 2000mS @ Minimum AC input                          |
|             | Rise time   | < 50mS   |
|             | Hold up time  | > 20mS @ 230Vac/50Hz input                           |
|             | Cooling   | Natural Cooling                                      |
| Environment | Temperature   | Operating: 0~40°C; Storage: -10~+75°C                |
|             | Humidity  | Operating: 20%~85%; Storage: 10%~95%(Non Conversing) |
| M.T.B.F     | 50k Hours   |  |
| Safety      | UL 60950-1/CSA C22.2 No.60950-1,EN60950-1,IEC 60950-1 |  |
| EMC         | EMI   | FCC CFR 47 PART 15 , EN55022 , EN61000-3             |
|             | EMS   | EN55024(EN61204-3) EN61000-4                         |

