



ADAPTER POWER SUPPLY

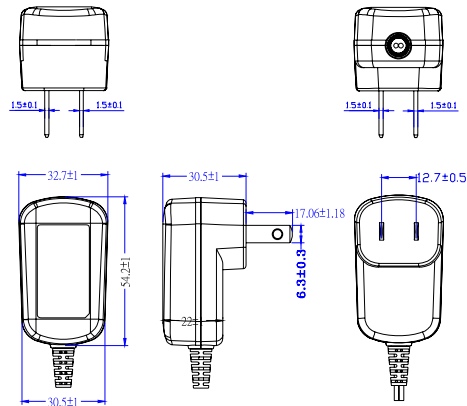
## AC-DC 5W

### CT-055WUxx

#### Features:

- Universal AC Input 90~264Vac
- Low ripple noise
- No minimum load requirement
- 100% burn in test
- 1 year warranty
- UL,cUL,FCC ,CB,standard
- Meet EPS 2.0 LEVEL V

#### Dimension:



Model No.	Output	Additional Safety
CT-055WU05	5V 1A	

#### Specification:



Input	Voltage	AC 90V~264V Universal full range
	Frequency	47-63Hz
	Current	300mA
	Leakage Current	< 0.1mA
Others	Start up time	< 2000mS @ Minimum AC input
	Rise time	< 20mS
	Hold up time	> 20mS @ 230Vac/50Hz input
	Cooling	Natural Cooling
Environment	Temperature	Operating: 0~40°C;Storage: -10~+75°C
	Humidity	Operating: 20%~85%;Storage: 10%~95%(Non Converting)
M.T.B.F		50k Hours
Safety		UL 60950-1,CSA C22.2 No.60950-1,EN60950-1,IEC 60950-1
EMC	EMI	FCC CFR 47 PART 15





ADAPTER POWER SUPPLY

## AC-DC 5W

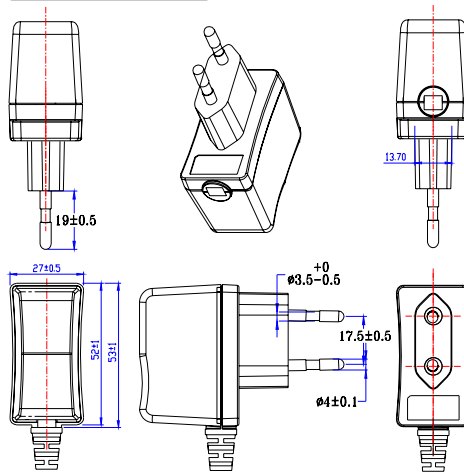
### CT-056WTxx

#### Features:

- Universal AC Input 90~264Vac
- Low ripple noise
- No minimum load requirement
- 100% burn in test
- 1 year warranty
- Meet **GS,CE,CB**, standard
- Meet EPS 2.0 LEVEL V
- Surge 6KV/2Ω



#### Dimension



Model No.	Output	Additional Safety
CT-056WT05	5V 1A	



Input	Voltage	AC 90V~264V Universal full range
	Frequency	47-63Hz
	Current	300mA
	Leakage Current	< 0.1mA
Others	Start up time	< 2000mS @ Minimum AC input
	Rise time	< 20mS
	Hold up time	> 20mS @ 230Vac/50Hz input
	Cooling	Natural Cooling
Environment	Temperature	Operating: 0~50°C; Storage: -10~+75°C
	Humidity	Operating: 20%~85%; Storage: 10%~95%(Non Converting)
M.T.B.F		50k Hours
Safety Meet		UL 60950-1, CSA C22.2 No.60950-1, EN60950-1, IEC 60950-1
EMC	EMI	EN55022, EN61000-3
	EMS	EN55024(EN61204-3) EN61000-4





ADAPTER POWER SUPPLY

## AC-DC 5W

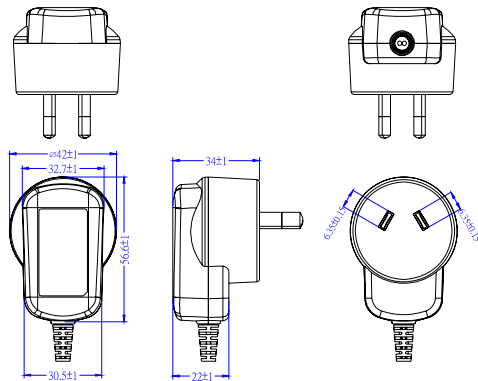
### CT-055WSxx

#### Features:

- Universal AC Input 90~264Vac
- Low ripple noise
- No minimum load requirement
- 100% burn in test
- 1 year warranty
- RCM,CB, standard
- Meet EPS 2.0 LEVEL V



#### Dimension:



Model No.	Output	Additional Safety
CT-055WS05	5V 1A	

#### Specification:



Input	Voltage	AC 90V~264V Universal full range
	Frequency	47-63Hz
	Current	300mA
	Leakage Current	< 0.1mA
Others	Start up time	< 2000mS @ Minimum AC input
	Rise time	< 20mS
	Hold up time	> 20mS @ 230Vac/50Hz input
	Cooling	Natural Cooling
Environment	Temperature	Operating: 0~40°C;Storage: -10~+75°C
	Humidity	Operating: 20%~85%;Storage: 10%~95%(Non Converting)
M.T.B.F	50k Hours	
Safety	UL 60950-1,CSA C22.2 No.60950-1,EN60950-1,IEC 60950-1	
EMC	EMI	CIPSR22 , EN55022 , EN61000-3





ADAPTER POWER SUPPLY

## AC-DC 5W

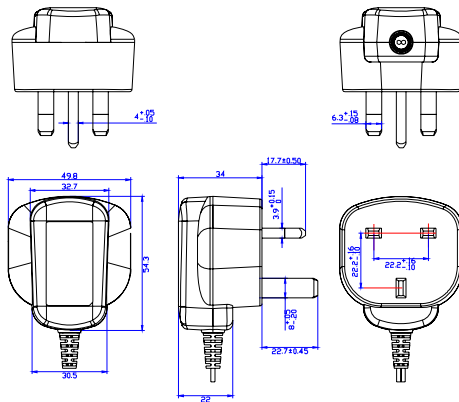
### CT-055WE<sub>xx</sub>

#### Features:

- Universal AC Input 90~264Vac
- Low ripple noise
- No minimum load requirement
- 100% burn in test
- 1 year warranty
- GS,CE,CB,standard
- Meet EPS 2.0 LEVEL V



#### Dimension:



Model No.	Output	Additional Safety
CT-055WE05	5V 1A	

#### Specification:



Input	Voltage	AC 90V~264V Universal full range
	Frequency	47-63Hz
	Current	300mA
	Leakage Current	< 0.1mA
Others	Start up time	< 2000mS @ Minimum AC input
	Rise time	< 20mS
	Hold up time	> 20mS @ 230Vac/50Hz input
	Cooling	Natural Cooling
Environment	Temperature	Operating: 0~40°C;Storage: -10~+75°C
	Humidity	Operating: 20%~85%;Storage: 10%~95%(Non Converting)
M.T.B.F	50k Hours	
Safety	UL 60950-1,CSA C22.2 No.60950-1,EN60950-1,IEC 60950-1	
EMC	EMI	EN55022 , EN61000-3
	EMS	EN55024(EN61204-3) EN61000-4





ADAPTER POWER SUPPLY

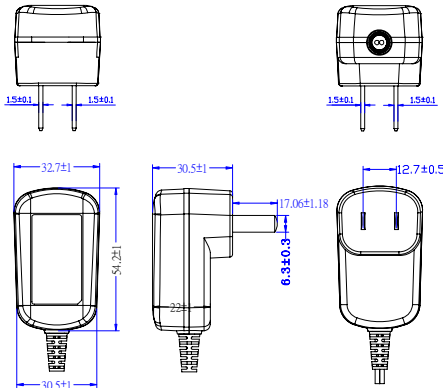
## AC-DC 5W

### CT-055WCxx

#### Features:

- Universal AC Input 90~264Vac
- Low ripple noise
- No minimum load requirement
- 100% burn in test
- 1 year warranty
- CCC ,CB,standard
- Meet EPS 2.0 LEVEL V

#### Dimension:



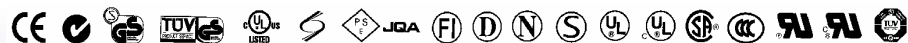
Model No.	Output	Additional Safety
CT-055WC05	5V 1A	

#### Specification:

REV.01 2011.9.28



Input	Voltage	AC 90V~264V Universal full range
	Frequency	47-63Hz
	Current	300mA
	Leakage Current	< 0.1mA
Others	Start up time	< 2000mS @ Minimum AC input
	Rise time	< 20mS
	Hold up time	> 20mS @ 230Vac/50Hz input
	Cooling	Natural Cooling
Environment	Temperature	Operating: 0~40°C; Storage: -10~+75°C
	Humidity	Operating: 20%~85%; Storage: 10%~95%(Non Converting)
M.T.B.F	50k Hours	
Safety	UL 60950-1,CSA C22.2 No.60950-1,EN60950-1,IEC 60950-1	
EMC	EMI	FCC CFR 47 PART 15





ADAPTER POWER SUPPLY

## AC-DC 5W

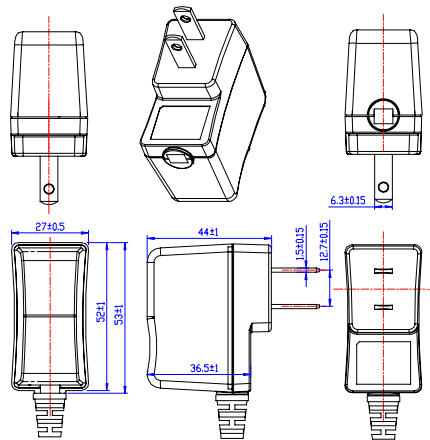
### CT-056WUxx

#### Features:

- Universal AC Input 90~264Vac
- Low ripple noise
- No minimum load requiemnt
- 100% burn in test
- 1 year warranty
- UL,cUL,FCC ,CB,standard
- Meet EPS 2.0 LEVEL V
- Surge: 6KV Common Mode(12 Ohm) ;AC-line:2KV(2 Ohm)



#### Dimension:



Model No.	Output	Additional Safety
CT-056WU05	5V 1A	

#### Specification:



Input	Voltage	AC 90V~264V Universal full range
	Frequency	47-63Hz
	Current	300mA
	Leakage Current	< 0.1mA
Others	Start up time	< 2000mS @ Minimum AC input
	Rise time	< 20mS
	Hold up time	> 20mS @ 230Vac/50Hz input
	Cooling	Natural Cooling
Environment	Temperature	Operating: 0~50°C ;Storage: -10~+75°C
	Humidity	Operating: 20%~85%;Storage: 10%~95%(Non Converting)
M.T.B.F		50k Hours
Safety Meet		UL 60950-1,CSA C22.2 No.60950-1,EN60950-1,IEC 60950-1
EMC	EMI	FCC CFR 47 PART 15





ADAPTER POWER SUPPLY

## AC-DC 5W

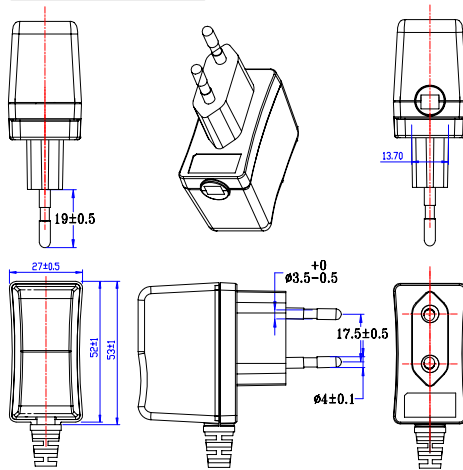
### CT-056WTxx

#### Features:

- Universal AC Input 90~264Vac
- Low ripple noise
- No minimum load requirement
- 100% burn in test
- 1 year warranty
- GS,CE,CB, standard
- Meet EPS 2.0 LEVEL V
- Surge: 6KV Common Mode(12 Ohm) ;AC-line:2KV(2 Ohm)



#### Dimension:



Model No.	Output	Additional Safety
CT-056WT05	5V 1A	

#### Specification:

Input	Voltage	AC 90V~264V Universal full range
	Frequency	47-63Hz
	Current	300mA
	Leakage Current	< 0.1mA
Others	Start up time	< 2000mS @ Minimum AC input
	Rise time	< 20mS
	Hold up time	> 20mS @ 230Vac/50Hz input
	Cooling	Natural Cooling
Environment	Temperature	Operating: 0~50°C;Storage: -10~+75°C
	Humidity	Operating: 20%~85%;Storage: 10%~95%(Non Converting)
M.T.B.F	50k Hours	
Safety Meet	UL 60950-1,CSA C22.2 No.60950-1,EN60950-1,IEC 60950-1	
EMC	EMI	EN55022 , EN61000-3
	EMS	EN55024(EN61204-3) EN61000-4





ADAPTER POWER SUPPLY

## AC-DC 5W

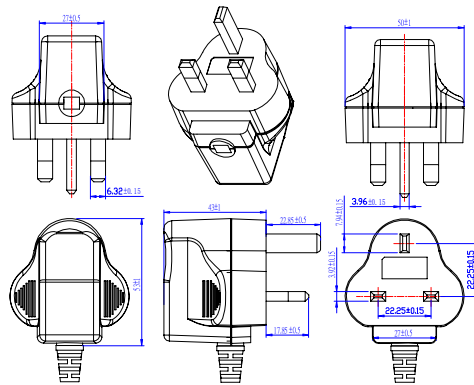
### CT-056WExx

#### Features:

- Universal AC Input 90~264Vac
- Low ripple noise
- No minimum load requirement
- 100% burn in test
- 1 year warranty
- GS,CE,CB,standard
- Meet EPS 2.0 LEVEL V
- Surge: 6KV Common Mode(12 Ohm) ;AC-line



#### Dimension:



Model No.	Output	Additional Safety
CT-056WE05	5V 1A	

#### Specification:



Input	Voltage	AC 90V~264V Universal full range
	Frequency	47-63Hz
	Current	300mA
	Leakage Current	< 0.1mA
Others	Start up time	< 2000mS @ Minimum AC input
	Rise time	< 20mS
	Hold up time	>20mS @ 230Vac/50Hz input
	Cooling	Natural Cooling
Environment	Temperature	Operating: 0~50°C;Storage: -10~+75°C
	Humidity	Operating: 20%~85%;Storage: 10%~95%(Non Converting)
M. T. B. F	50k Hours	
Safety Meet	UL 60950-1,CSA C22.2 No.60950-1,EN60950-1,IEC 60950-1	
EMC	EMI	EN55022 , EN61000-3
	EMS	EN55024(EN61204-3) EN61000-4







ADAPTER POWER SUPPLY

## AC-DC 5W

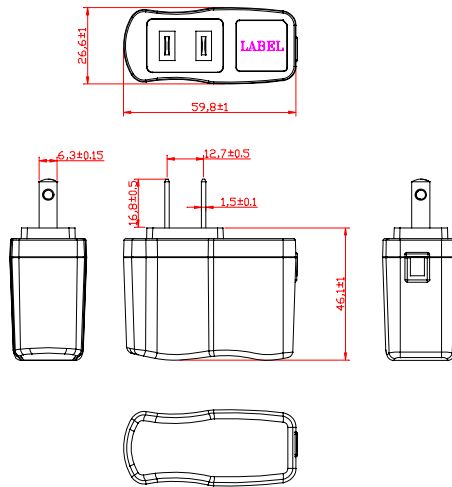
### CT-058WUXX

#### Features:

- Universal AC Input 90~264Vac
- Low ripple noise
- No minimum load requirement
- 100% burn in test
- 1 year warranty
- UL,cUL,CB,FCC,BSMI standard
- Meet EPS 2.0 LEVEL V



#### Dimension:



Model No.	Output		Additional Safety
CT-058WU03	3.3V	1.5A	
CT-058WU04	4V	1.25A	
CT-058WU05	5V	1.0A	
CT-058WU06	6V	0.83A	
CT-058WU09	9V	0.55A	
CT-058WU12	12V	0.42A	
CT-058WU15	15V	0.33A	
CT-058WU18	18V	0.28A	
CT-058WU24	24V	0.21A	

#### Specification:

REV.02 2011.6.30



Input	Voltage	AC 90V~264V Universal full range
	Frequency	47-63Hz
	Current	300mA
	Leakage Current	< 0.25mA
Others	Start up time	< 2000mS @ Minimum AC input
	Rise time	< 20mS
	Hold up time	> 20mS @ 230Vac/50Hz input
	Cooling	Natural Cooling
Environment	Temperature	Operating: 0~40°C;Storage: -10~+75°C
	Humidity	Operating: 20%~85%;Storage: 10%~95%(Non Converting)
M.T.B.F	50k Hours	
Safety	UL 60950-1,CSA C22.2 No.60950-1,EN60950-1,IEC 60950-1	
EMC	EMI	FCC CFR 47 PART 15 , EN55022 , EN61000-3
	EMS	EN55024(EN61204-3) EN61000-4





ADAPTER POWER SUPPLY

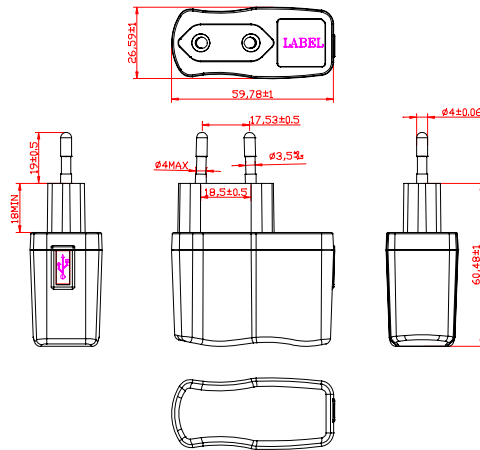
## AC-DC 5W

### CT-058WTXX

#### Features:

- Universal AC Input 90~264Vac
- Low ripple noise
- No minimum load requirement
- 100% burn in test
- 1 year warranty
- GS, CB, CE standard
- Meet EPS 2.0 LEVEL V

#### Dimension:



Model No.	Output		Additional Safety
CT-058WT03	3.3V	1.5A	
CT-058WT04	4V	1.25A	
CT-058WT05	5V	1.0A	
CT-058WT06	6V	0.83A	
CT-058WT09	9V	0.55A	
CT-058WT12	12V	0.42A	
CT-058WT15	15V	0.33A	
CT-058WT18	18V	0.28A	
CT-058WT24	24V	0.21A	

#### Specification:

REV.01 2011.3.2



Input	Voltage	AC 90V~264V Universal full range
	Frequency	47-63Hz
	Current	300mA
	Leakage Current	< 0.25mA
Others	Start up time	< 2000mS @ Minimum AC input
	Rise time	< 20mS
	Hold up time	> 20mS @ 230Vac/50Hz input
	Cooling	Natural Cooling
Environment	Temperature	Operating: 0~40°C; Storage: -10~+75°C
	Humidity	Operating: 20%~85%; Storage: 10%~95%(Non Converting)
M.T.B.F	50k Hours	
Safety	UL 60950-1, CSA C22.2 No.60950-1, EN60950-1, IEC 60950-1	
EMC	EMI	FCC CFR 47 PART 15 , EN55022 , EN61000-3
	EMS	EN55024(EN61204-3) EN61000-4





ADAPTER POWER SUPPLY

## AC-DC 5W

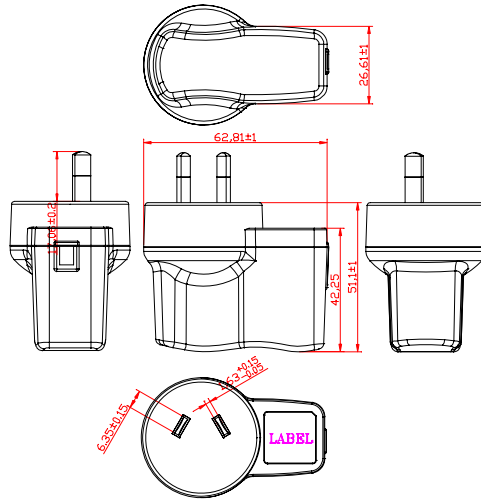
### CT-058WSXX

#### Features:

- Universal AC Input 90~264Vac
- Low ripple noise
- No minimum load requiemnt
- 100% burn in test
- 1 year warranty
- RCM,CB,CE standard
- Meet EPS 2.0 LEVEL V



#### Dimension:



Model No.	Output		Additional Safety
CT-058WS03	3.3V	1.5A	
CT-058WS04	4V	1.25A	
CT-058WS05	5V	1.0A	
CT-058WS06	6V	0.83A	
CT-058WS09	9V	0.55A	
CT-058WS12	12V	0.42A	
CT-058WS15	15V	0.33A	
CT-058WS18	18V	0.28A	
CT-058WS24	24V	0.21A	

#### Specification:

REV.01 2011.6.23



Input	Voltage	AC 90V~264V Universal full range
	Frequency	47-63Hz
	Current	300mA
	Leakage Current	< 0.25mA
Others	Start up time	< 2000mS @ Minimum AC input
	Rise time	< 20mS
	Hold up time	> 20mS @ 230Vac/50Hz input
	Cooling	Natural Cooling
Environment	Temperature	Operating: 0~40°C; Storage: -10~+75°C
	Humidity	Operating: 20%~85%; Storage: 10%~95%(Non Conversing)
M.T.B.F	50k Hours	
Safety	UL 60950-1, CSA C22.2 No.60950-1, EN60950-1, IEC 60950-1	
EMC	EMI	FCC CFR 47 PART 15 , EN55022 , EN61000-3
	EMS	EN55024(EN61204-3) EN61000-4





ADAPTER POWER SUPPLY

## AC-DC 5W

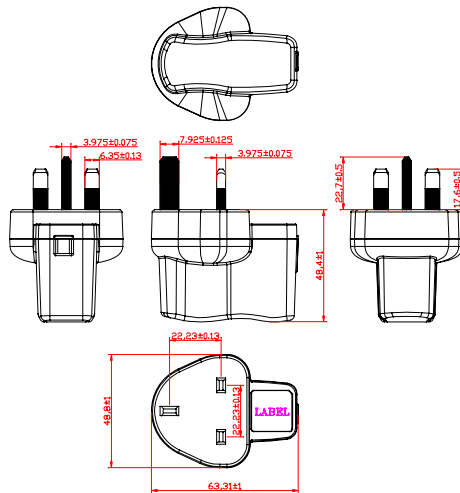
### CT-058WEXX

#### Features:

- Universal AC Input 90~264Vac
- Low ripple noise
- No minimum load requirement
- 100% burn in test
- 1 year warranty
- GS,CB,CE standard
- Meet EPS 2.0 LEVEL V



#### Dimension:



Model No.	Output		Additional Safety
CT-058WE03	3.3V	1.5A	
CT-058WE04	4V	1.25A	
CT-058WE05	5V	1.0A	
CT-058WE06	6V	0.83A	
CT-058WE09	9V	0.55A	
CT-058WE12	12V	0.42A	
CT-058WE15	15V	0.33A	
CT-058WE18	18V	0.28A	
CT-058WE24	24V	0.21A	

#### Specification:

REV.01 2011.3.2



Input	Voltage	AC 90V~264V Universal full range
	Frequency	47-63Hz
	Current	300mA
	Leakage Current	< 0.25mA
	Others	Start up time
Others	Rise time	< 20mS
	Hold up time	> 20mS @ 230Vac/50Hz input
	Cooling	Natural Cooling
	Environment	Temperature
Environment	Humidity	Operating: 20%~85%;Storage: 10%~95%(Non Converting)
	M.T.B.F	50k Hours
Safety	UL 60950-1,CSA C22.2 No.60950-1,EN60950-1,IEC 60950-1	
EMC	EMI	FCC CFR 47 PART 15 , EN55022 , EN61000-3
	EMS	EN55024(EN61204-3) EN61000-4





ADAPTER POWER SUPPLY

## AC-DC 5W

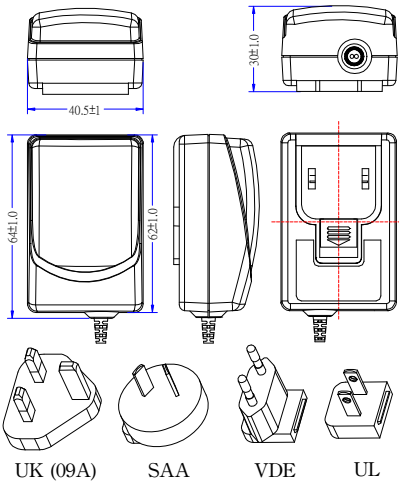
### CT-058WPxx

#### Features:

- Universal AC Input 90~264Vac
- Low ripple noise
- No minimum load requirement
- 100% burn in test
- 1 year warranty
- **UL, cUL, GS, CB, CE, FCC standard**
- Meet EPS 2.0 LEVEL V



#### Dimension:



Model No.	Output		Additional Safety
CT-058WP03	3.3V	1.5A	
CT-058WP04	4V	1.25A	
CT-058WP05	5V	1.0A	
CT-058WP06	6V	0.83A	
CT-058WP09	9V	0.55A	
CT-058WP12	12V	0.42A	
CT-058WP15	15V	0.33A	
CT-058WP18	18V	0.28A	
CT-058WP24	24V	0.21A	

#### Specification:

REV.01 2011.3.2



Input	Voltage	AC 90V~264V Universal full range
	Frequency	47-63Hz
	Current	300mA
	Leakage Current	< 0.25mA
Others	Start up time	< 2000mS @ Minimum AC input
	Rise time	< 100mS
	Hold up time	> 20mS @ 230Vac/50Hz input
	Cooling	Natural Cooling
Environment	Temperature	Operating: 0~40°C; Storage: -10~+75°C
	Humidity	Operating: 20%~85%; Storage: 10%~95%(Non Converting)
M.T.B.F	50k Hours	
Safety Meet	UL 60950-1, CSA C22.2 No.60950-1, EN60950-1, IEC 60950-1	
EMC	EMI	FCC CFR 47 PART 15 , EN55022 , EN61000-3
	EMS	EN55024(EN61204-3) EN61000-4





CET TECHNOLOGY, LLC

# 5W - Switching Power Supplies

ADAPTER POWER SUPPLY

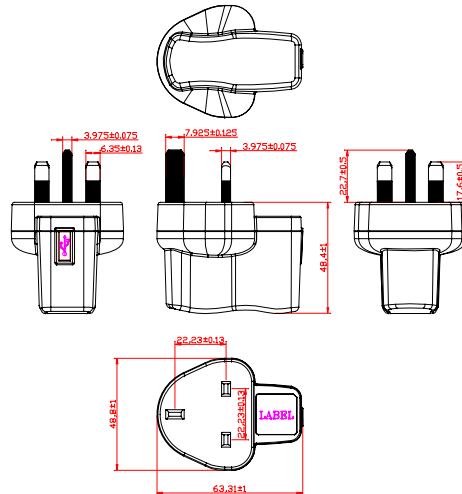
## AC-DC 5W

### CT-058WE05B

#### Features:

- Universal AC Input 90~264Vac
- Low ripple noise
- No minimum load requiemnt
- 100% burn in test
- 1 year warranty
- GS,CB,CE standard
- Meet EPS 2.0 LEVEL V

#### Dimension:



Model No.	Output		Additional Safety
CT-058WE05B	5V	1A	

#### Specification:

REV.01 2011.3.2



Input	Voltage	AC 90V~264V Universal full range
	Frequency	47-63Hz
	Current	300mA
	Leakage Current	< 0.25mA
Others	Start up time	< 2000mS @ Minimum AC input
	Rise time	< 20mS
	Hold up time	> 20mS @ 230Vac/50Hz input
	Cooling	Natural Cooling
Environment	Temperature	Operating: 0~40°C;Storage: -10~+75°C
	Humidity	Operating: 20%~85%;Storage: 10%~95%(Non Conversing)
M.T.B.F	50k Hours	
Safety	UL 60950-1,CSA C22.2 No.60950-1,EN60950-1,IEC 60950-1	
EMC	EMI	FCC CFR 47 PART 15 , EN55022 , EN61000-3
	EMS	EN55024(EN61204-3) EN61000-4





ADAPTER POWER SUPPLY

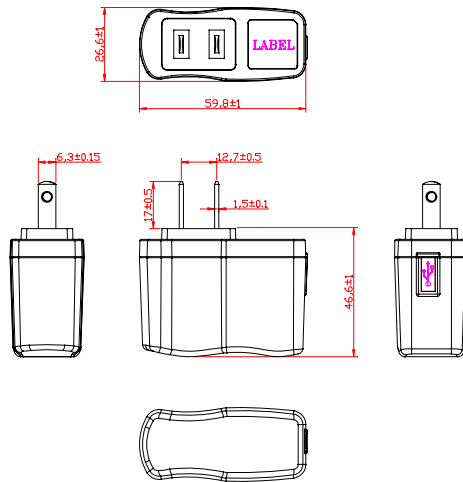
## AC-DC 5W

### CT-058WU05B

#### Features:

- Universal AC Input 90~264Vac
- Low ripple noise
- No minimum load requirement
- 100% burn in test
- 1 year warranty
- UL,cUL,CB,FCC,BSMI standard
- Meet EPS 2.0 LEVEL V

#### Dimension:



Model No.	Output	Additional Safety
CT-058WU05B	5V 1A	

#### Specification:

REV.02 2011.6.30



Input	Voltage	AC 90V~264V Universal full range
	Frequency	47-63Hz
	Current	300mA
	Leakage Current	< 0.25mA
Others	Start up time	< 2000mS @ Minimum AC input
	Rise time	< 20mS
	Hold up time	> 20mS @ 230Vac/50Hz input
	Cooling	Natural Cooling
Environment	Temperature	Operating: 0~40°C;Storage: -10~+75°C
	Humidity	Operating: 20%~85%;Storage: 10%~95%(Non Converting)
M. T. B. F	50k Hours	
Safety	UL 60950-1,CSA C22.2 No.60950-1,EN60950-1,IEC 60950-1	
EMC	EMI	FCC CFR 47 PART 15 , EN55022 , EN61000-3
	EMS	EN55024(EN61204-3) EN61000-4





ADAPTER POWER SUPPLY

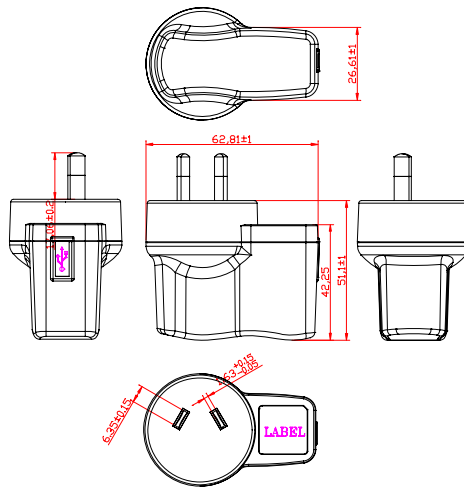
## AC-DC 5W

### CT-058WS05B

#### Features:

- Universal AC Input 90~264Vac
- Low ripple noise
- No minimum load requirement
- 100% burn in test
- 1 year warranty
- RCM,CB,CE standard
- Meet EPS 2.0 LEVEL V

#### Dimension:



Model No.	Output	Additional Safety
CT-058WS05B	5V   1A	

#### Specification:

REV.01 2011.6.23



Input	Voltage	AC 90V~264V Universal full range
	Frequency	47-63Hz
	Current	300mA
	Leakage Current	< 0.25mA
Others	Start up time	< 2000mS @ Minimum AC input
	Rise time	< 20mS
	Hold up time	> 20mS @ 230Vac/50Hz input
	Cooling	Natural Cooling
Environment	Temperature	Operating: 0~40°C;Storage: -10~+75°C
	Humidity	Operating: 20%~85%;Storage: 10%~95%(Non Converting)
M.T.B.F	50k Hours	
Safety	UL 60950-1,CSA C22.2 No.60950-1,EN60950-1,IEC 60950-1	
EMC	EMI	FCC CFR 47 PART 15 , EN55022 , EN61000-3
	EMS	EN55024(EN61204-3) EN61000-4







CET TECHNOLOGY, LLC

# 5W - Switching Power Supplies

ADAPTER POWER SUPPLY

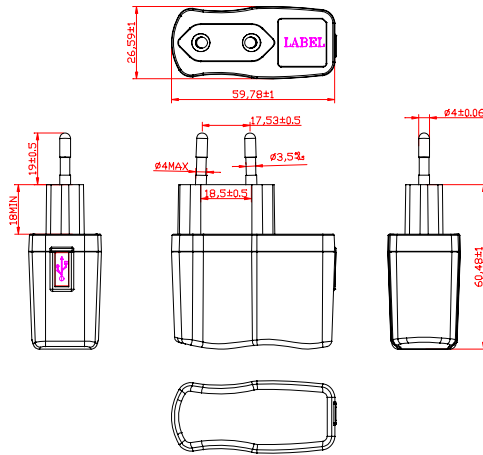
## AC-DC 5W

### CT-058WT05B

#### Features:

- Universal AC Input 90~264Vac
- Low ripple noise
- No minimum load requiemnt
- 100% burn in test
- 1 year warranty
- GS,CB,CE standard
- Meet EPS 2.0 LEVEL V

#### Dimension:



Model No.	Output		Additional Safety
CT-058WT05B	5V	1A	

#### Specification:

REV.01 2011.3.2



Input	Voltage	AC 90V~264V Universal full range
	Frequency	47-63Hz
	Current	300mA
	Leakage Current	< 0.25mA
Others	Start up time	< 2000mS @ Minimum AC input
	Rise time	< 20mS
	Hold up time	> 20mS @ 230Vac/50Hz input
	Cooling	Natural Cooling
Environment	Temperature	Operating: 0~40°C;Storage: -10~+75°C
	Humidity	Operating: 20%~85%;Storage: 10%~95%(Non Conversing)
M.T.B.F	50k Hours	
Safety	UL 60950-1,CSA C22.2 No.60950-1,EN60950-1,IEC 60950-1	
EMC	EMI	FCC CFR 47 PART 15 , EN55022 , EN61000-3
	EMS	EN55024(EN61204-3) EN61000-4

