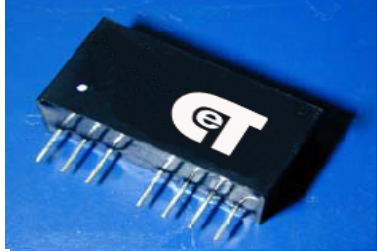


CT-16D-DUAL SERIES

1 Watt Dual Output Regulated 1000Vdc Isolation Dc-Dc Converter



FEATURES:

- 2:1 Wide Input Voltages Range
- High Efficiency up to 85%
- Regulated Output Types
- Low Ripple And Noise
- Internal SMD Construction
- Operating Temperature: -40~+85°C
- Industry Standard Pinout
- Continuous Short Circuit Protection With Current Foldback.



Specifications typical at TA=25°C, nominal input voltage and rated output current unless otherwise specified

Part Number	Input Voltage Range	Output Voltage Range	Output Current	Efficiency
	Vdc	Vdc	mA	% TYP
CT-05D05RNL	5-9	±5	±100	60
CT-05D09RNL	5-9	±9	±56	70
CT-05D12RNL	5-9	±12	±42	70
CT-05D15RNL	5-9	±15	±34	70
CT-05D24RNL	5-9	±24	±21	70
CT-12D05RNL	9-18	±5	±100	70
CT-12D09RNL	9-18	±9	±56	80
CT-12D12RNL	9-18	±12	±42	80
CT-12D15RNL	9-18	±15	±34	80
CT-12D24RNL	9-18	±24	±21	80
CT-24D05RNL	18-36	±5	±100	75
CT-24D09RNL	18-36	±9	±56	80
CT-24D12RNL	18-36	±12	±42	80
CT-24D15RNL	18-36	±15	±34	80
CT-24D24RNL	18-36	±24	±21	80
CT-48D05RNL	36-72	±5	±100	70
CT-48D09RNL	36-72	±9	±56	80
CT-48D12RNL	36-72	±12	±42	80
CT-48D15RNL	36-72	±15	±34	80
CT-48D24RNL	36-72	±24	±21	80

Input Specifications

Parameters	Conditions	Min	Typ	Max	Units
Voltage Tolerance	Vo, Io Nom			2:1	
Filter	Capacitor				

Output Specifications

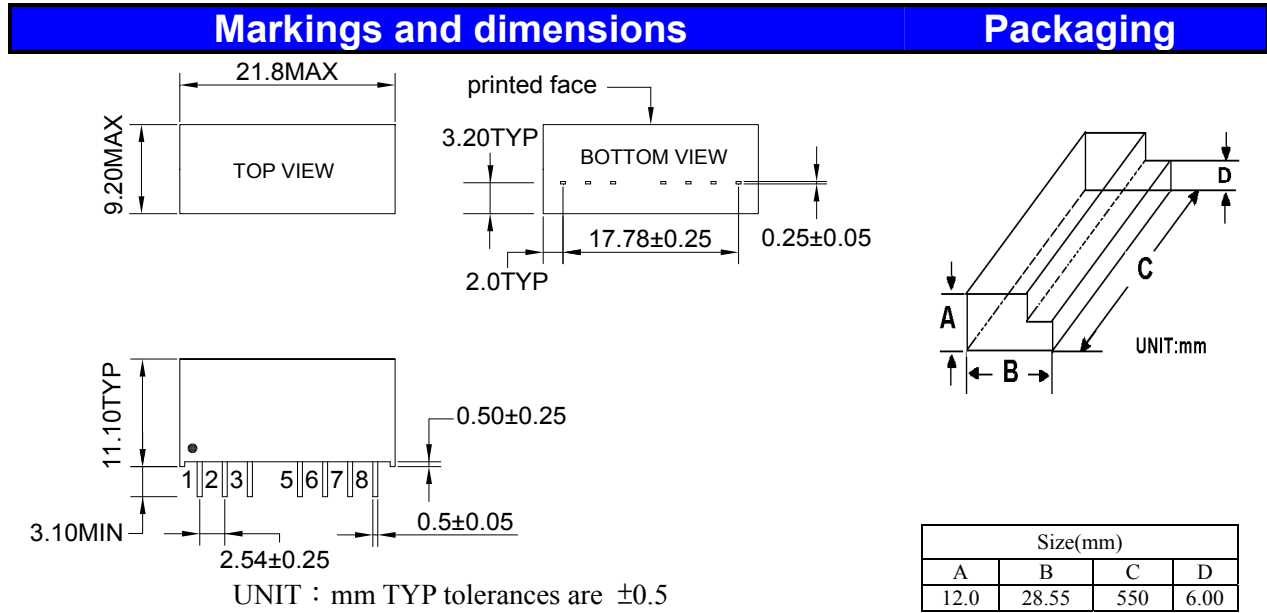
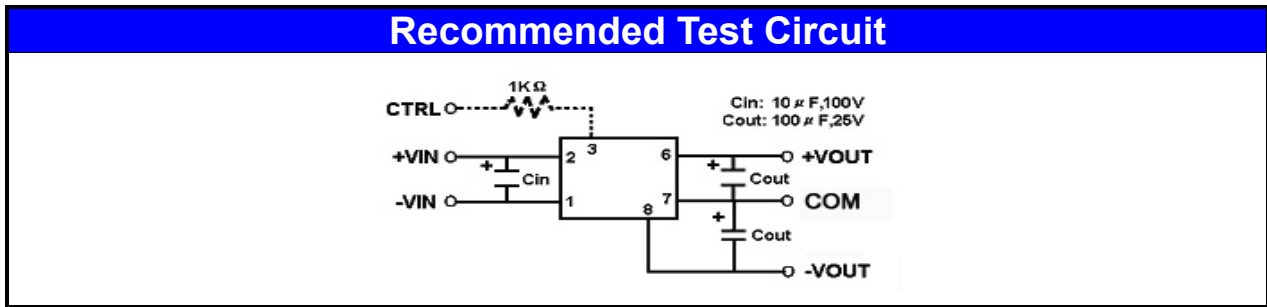
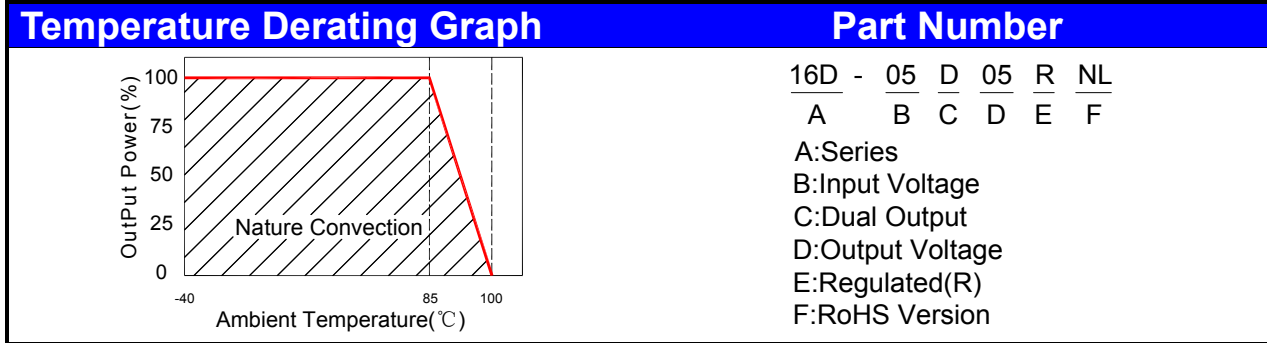
Parameters	Conditions	Min	Typ	Max	Units
Voltage Tolerance	100% full load			±3	%
Short Circuit	Continuous				
Line Regulation	Regulated			±0.5	%
Load Regulation	Regulated			±0.8	%
Ripple & Noise	output:5-9V TYPES BW=DC To 20MHz			100	mVp-p
Ripple & Noise	output:12-24V TYPES BW=DC To 20MHz			1%of Vout	mVp-p
Transient response setting time	50% load step change		350		us

General Specifications

Parameters	Conditions	Min	Typ	Max	Units
Isolation Resistance	500Vdc	1000			MΩ
Switching Frequency	Full load,nominal input		100		KHz
Operating Temperature		-40		85	°C
Humidity	Non Condensing			95	%
Cooling	Free air Convection				
Case material	DAP				

CT-16D-DUAL SERIES

1 Watt Dual Output Regulated 1000Vdc Isolation Dc-Dc Converter



PIN Connection

PIN	1	2	3	5	6	7	8
Dual	-Vin	+Vin	Ctrl-Control input can (can be left open)	NE-No external connection allowed	+Vout	COM	-Vout