

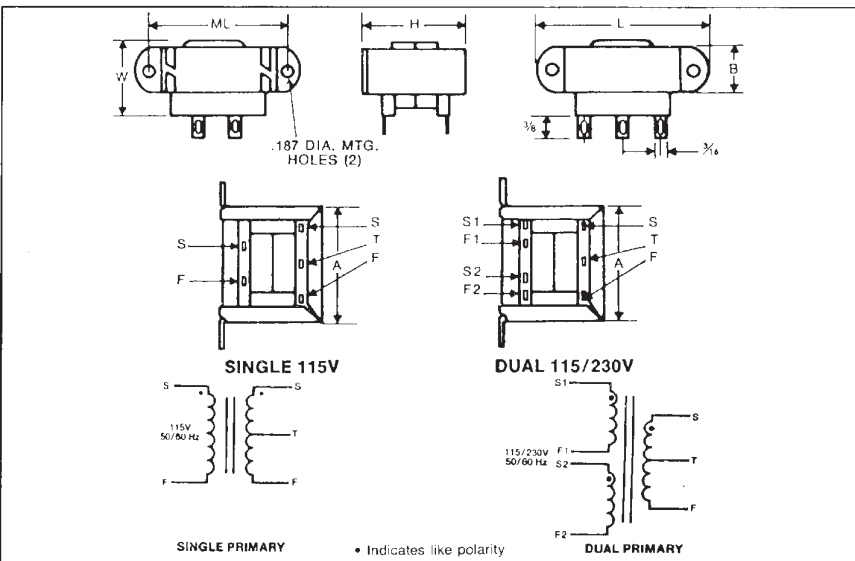
The P/PDP series is an illustration of the use of creative design applied to small power transformers. The result is a line where, for a given VA rating, size, and weight are reduced almost 50%.

- **BOBBIN WOUND**—Maximum Utilization of Winding Area—Space and Size Reduced.
- **SPLIT BOBBIN—NON-CONCENTRIC WINDING** — Lower Capacitance—Better insulation—2500V RMS Hipot—No need for Electro-Static Shield—High Isolation and Insulation Resistance. No Cross Overs of Primary and Secondary Leads.

The series is available with single 115V or dual 115/230V primary, rated 50/60 Hz.

- UL Recognized File #E146472
- Approved to CSA 22.2 No. 66
- Class B Insulation 130°C
- Custom Versions also available.

PART NUMBER		Secondary RMS Rating	PART NUMBER		Secondary RMS Rating
Single 115V	Dual 115/230V		Single 115V	Dual 115/230V	
P241-3-10		10V C.T. @ 0.25A	P241-3-28		28V C.T. @ 0.085A
P241-4-10	PDP 241-4-10	10V C.T. @ 0.6A	P241-4-28	PDP 241-4-28	28V C.T. @ 0.2A
P241-5-10	PDP 241-5-10	10V C.T. @ 1.2A	P241-5-28	PDP 241-5-28	28V C.T. @ 0.42A
P241-6-10	PDP 241-6-10	10V C.T. @ 3.0A	P241-6-28	PDP 241-6-28	28V C.T. @ 1.1A
P241-7-10	PDP 241-7-10	10V C.T. @ 5.0A	P241-7-28	PDP 241-7-28	28V C.T. @ 2.0A
P241-8-10	PDP 241-8-10	10V C.T. @ 10A	P241-8-28	PDP 241-8-28	28V C.T. @ 3.6A
P241-3-12		12.6V C.T. @ 0.2A	P241-3-36		36V C.T. @ 0.065A
P241-4-12	PDP 241-4-12	12.6V C.T. @ 0.5A	P241-4-36	PDP 241-4-36	36V C.T. @ 0.17A
P241-5-12	PDP 241-5-12	12.6V C.T. @ 1.0A	P241-5-36	PDP 241-5-36	36V C.T. @ 0.35A
P241-6-12	PDP 241-6-12	12.6V C.T. @ 2.5A	P241-6-36	PDP 241-6-36	36V C.T. @ 0.85A
P241-7-12	PDP 241-7-12	12.6V C.T. @ 4.0A	P241-7-36	PDP 241-7-36	36V C.T. @ 1.5A
P241-8-12	PDP 241-8-12	12.6V C.T. @ 8.0A	P241-8-36	PDP 241-8-36	36V C.T. @ 2.8A
P241-3-16		16V C.T. @ 0.15A	P241-3-48		48V C.T. @ 0.05A
P241-4-16	PDP 241-4-16	16V C.T. @ 0.4A	P241-4-48	PDP 241-4-48	48V C.T. @ 0.125A
P241-5-16	PDP 241-5-16	16V C.T. @ 0.8A	P241-5-48	PDP 241-5-48	48V C.T. @ 0.25A
P241-6-16	PDP 241-6-16	16V C.T. @ 2.0A	P241-6-48	PDP 241-6-48	48V C.T. @ 0.63A
P241-7-16	PDP 241-7-16	16V C.T. @ 3.5A	P241-7-48	PDP 241-7-48	48V C.T. @ 1.2A
P241-8-16	PDP 241-8-16	16V C.T. @ 6.25A	P241-8-48	PDP 241-8-48	48V C.T. @ 2.0A
P241-3-20		20V C.T. @ .12A	P241-3-56		56V C.T. @ 0.045A
P241-4-20	PDP 241-4-20	20V C.T. @ 0.3A	P241-4-56	PDP 241-4-56	56V C.T. @ 0.11A
P241-5-20	PDP 241-5-20	20V C.T. @ 0.6A	P241-5-56	PDP 241-5-56	56V C.T. @ 0.22A
P241-6-20	PDP 241-6-20	20V C.T. @ 1.5A	P241-6-56	PDP 241-6-56	56V C.T. @ 0.54A
P241-7-20	PDP 241-7-20	20V C.T. @ 2.8A	P241-7-56	PDP 241-7-56	56V C.T. @ 1.0A
P241-8-20	PDP 241-8-20	20V C.T. @ 5.0A	P241-8-56	PDP 241-8-56	56V C.T. @ 1.8A
P241-3-24		24V C.T. @ 0.1A	P241-3-120		120V C.T. @ 0.02A
P241-4-24	PDP 241-4-24	24V C.T. @ 0.25A	P241-4-120	PDP 241-4-120	120V C.T. @ 0.05A
P241-5-24	PDP 241-5-24	24V C.T. @ 0.5A	P241-5-120	PDP 241-5-120	120V C.T. @ 0.1A
P241-6-24	PDP 241-6-24	24V C.T. @ 1.25A	P241-6-120	PDP 241-6-120	120V C.T. @ 0.25A
P241-7-24	PDP 241-7-24	24V C.T. @ 2.4A	P241-7-120	PDP 241-7-120	120V C.T. @ 0.5A
P241-8-24	PDP 241-8-24	24V C.T. @ 4.0A	P241-8-120	PDP 241-8-120	120V C.T. @ 0.85A



DIMENSIONS

Size	VA	L	W	H	A	B	ML	Lbs.
3	2.4	2 1/16	1 1/16	1 3/16	1 5/8	9/16	1 3/4	0.25
4	6	2 3/8	1 1/4	1 3/8	1 11/16	11/16	2	0.44
5	12	2 13/16	1 3/8	1 5/8	1 15/16	13/16	2 3/8	0.7
6	30	3 1/4	1 11/16	1 15/16	2 5/16	1 1/16	2 13/16	1.1
7	56	3 11/16	1 13/16	2 1/4	2 11/16	1 1/16	3 1/8	1.7
8	100	4 1/32	2 1/4	2 9/16	3 1/16	1 5/16	3 9/16	2.75