



ADAPTER POWER SUPPLY

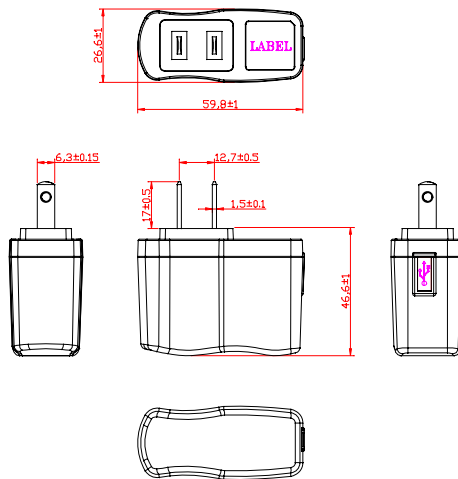
## AC-DC 10W

### CT-10AWU05

#### Features:

- Universal AC Input 90~264Vac
- Low ripple noise
- No minimum load requirement
- 100% burn in test
- 1 year warranty
- UL,cUL,CB,FCC standard
- Meet EPS 2.0 LEVEL V

#### Dimension:



Model No.	Output	Additional Safety
CT-10AWU05	5V 2A	

#### Specification:

REV.01 2011.3.2



Input	Voltage	AC 90V~264V Universal full range
	Frequency	47-63Hz
	Current	300mA
	Leakage Current	< 0.25mA
Others	Start up time	< 2000mS @ Minimum AC input
	Rise time	< 20mS
	Hold up time	> 20mS @ 230Vac/50Hz input
	Cooling	Natural Cooling
Environment	Temperature	Operating: 0~40°C;Storage: -10~+75°C
	Humidity	Operating: 20%~85%;Storage: 10%~95%(Non Conversing)
M.T.B.F		50k Hours
Safety		UL 60950-1,CSA C22.2 No.60950-1,EN60950-1,IEC 60950-1
EMC	EMI	FCC CFR 47 PART 15 , EN55022 , EN61000-3
	EMS	EN55024(EN61204-3) EN61000-4





ADAPTER POWER SUPPLY

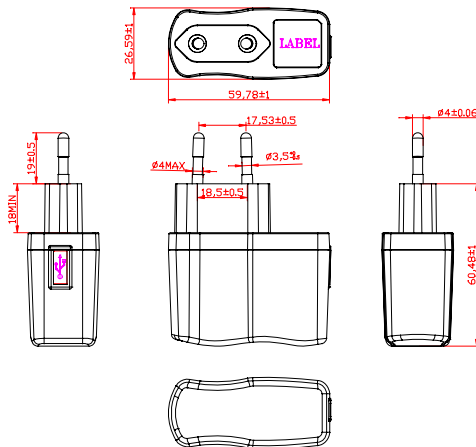
## AC-DC 10W

### CT-10AWT05

#### Features:

- Universal AC Input 90~264Vac
- Low ripple noise
- No minimum load requirement
- 100% burn in test
- 1 year warranty
- GS, CB, CE standard
- Meet EPS 2.0 LEVEL V

#### Dimension:



Model No.	Output	Additional Safety
CT-10AWT05	5V 2A	

#### Specification:

REV.01 2011.3.2



Input	Voltage	AC 90V~264V Universal full range
	Frequency	47-63Hz
	Current	300mA
	Leakage Current	< 0.25mA
Others	Start up time	< 2000mS @ Minimum AC input
	Rise time	< 20mS
	Hold up time	> 20mS @ 230Vac/50Hz input
	Cooling	Natural Cooling
Environment	Temperature	Operating: 0~40°C; Storage: -10~+75°C
	Humidity	Operating: 20%~85%; Storage: 10%~95%(Non Converting)
M.T.B.F	50k Hours	
Safety	UL 60950-1, CSA C22.2 No.60950-1, EN60950-1, IEC 60950-1	
EMC	EMI	FCC CFR 47 PART 15 , EN55022 , EN61000-3
	EMS	EN55024(EN61204-3) EN61000-4





CET TECHNOLOGY, LLC

# 10W - Switching Power Supplies

ADAPTER POWER SUPPLY

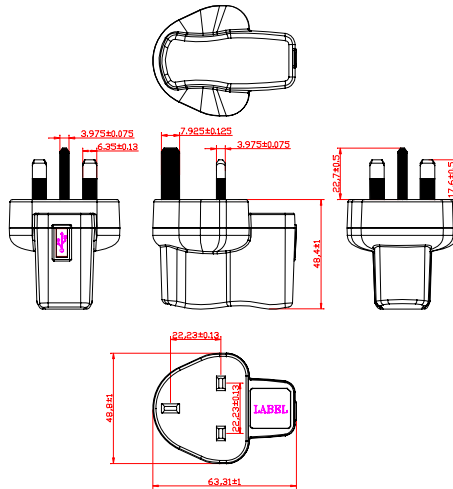
## AC-DC 10W

### CT-10AWE05

#### Features:

- Universal AC Input 90~264Vac
- Low ripple noise
- No minimum load requirement
- 100% burn in test
- 1 year warranty
- GS, CB, CE standard
- Meet EPS 2.0 LEVEL V

#### Dimension:



Model No.	Output	Additional Safety
CT-10AWE05	5V 2A	

#### Specification:

REV.01 2011.3.2



Input	Voltage	AC 90V~264V Universal full range
	Frequency	47-63Hz
	Current	300mA
	Leakage Current	< 0.25mA
Others	Start up time	< 2000mS @ Minimum AC input
	Rise time	< 20mS
	Hold up time	> 20mS @ 230Vac/50Hz input
	Cooling	Natural Cooling
Environment	Temperature	Operating: 0~40°C; Storage: -10~+75°C
	Humidity	Operating: 20%~85%; Storage: 10%~95%(Non Converting)
M.T.B.F	50k Hours	
Safety	UL 60950-1, CSA C22.2 No.60950-1, EN60950-1, IEC 60950-1	
EMC	EMI	FCC CFR 47 PART 15 , EN55022 , EN61000-3
	EMS	EN55024(EN61204-3) EN61000-4





ADAPTER POWER SUPPLY

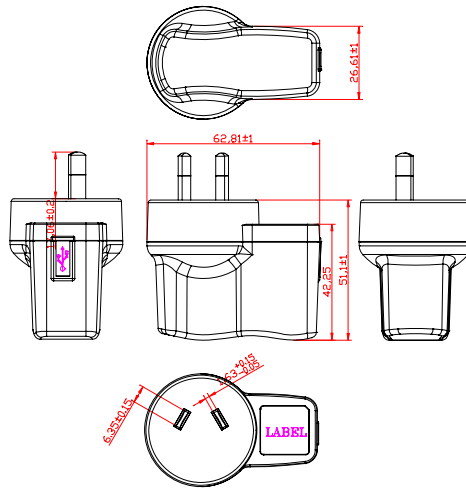
## AC-DC 10W

### CT-10AWS05

#### Features:

- Universal AC Input 90~264Vac
- Low ripple noise
- No minimum load requirement
- 100% burn in test
- 1 year warranty
- RCM,CB standard
- Meet EPS 2.0 LEVEL V

#### Dimension:



Model No.	Output	Additional Safety
CT-10AWS05	5V 2A	

#### Specification:

REV.01 2011.3.2



Input	Voltage	AC 90V~264V Universal full range
	Frequency	47-63Hz
	Current	300mA
	Leakage Current	< 0.25mA
Others	Start up time	< 2000mS @ Minimum AC input
	Rise time	< 20mS
	Hold up time	> 20mS @ 230Vac/50Hz input
	Cooling	Natural Cooling
Environment	Temperature	Operating: 0~40°C; Storage: -10~+75°C
	Humidity	Operating: 20%~85%; Storage: 10%~95%(Non Converting)
M.T.B.F	50k Hours	
Safety	UL 60950-1, CSA C22.2 No.60950-1, EN60950-1, IEC 60950-1	
EMC	EMI	FCC CFR 47 PART 15 , EN55022 , EN61000-3
	EMS	EN55024(EN61204-3) EN61000-4

