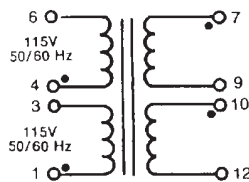
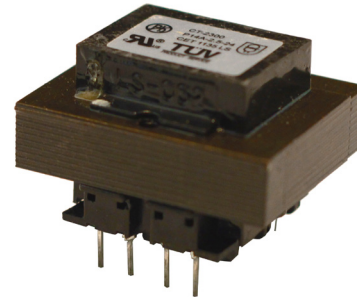
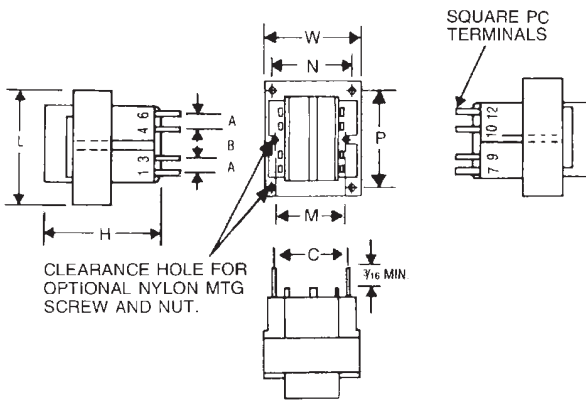


FEATURES

- The CET Series of International Transformers is designed and built to meet U.S. and international safety standards: EN60950, UL-1950, and CSA 22.2 No. 950
- Built with dual bobbins with insulating shrouds to provide 4000V RMS isolation between primary and secondary; eliminates the need for an electrostatic shield
- UL Recognized File #E146472
- Approved to CSA 22.2 No. 66
- Class B Insulation 130°C
- Custom versions also available



PRIMARYS ARE DESIGNED TO BE USED SIMULTANEOUSLY. SECONDARIES ARE DESIGNED TO BE USED SIMULTANEOUSLY. THAT IS THEY MUST BE USED EITHER SERIES OR PARALLEL CONNECTED (AS ONE WINDING)
(See mechanical drawing for correct rooftop)



DIMENSIONS

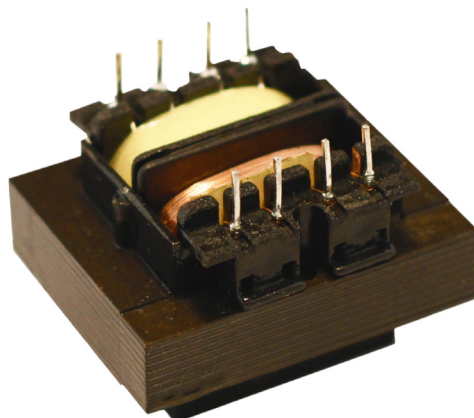
VA	L	W	H	A	B	C	M	N	P
2.5	1 $\frac{5}{16}$	1 $\frac{5}{16}$	1 $\frac{1}{8}$.200	.250	1.000	1.06	-	-
5.0	1 $\frac{5}{16}$	1 $\frac{5}{16}$	1 $\frac{1}{8}$.200	.400	1.000	1.06	-	-
10.0	1 $\frac{1}{2}$	1 $\frac{9}{16}$	1 $\frac{1}{8}$.200	.400	1.140	1.25	-	-
20.0	2 $\frac{1}{4}$	1 $\frac{1}{8}$	1 $\frac{1}{8}$.400	.400	1.460	1.50	-	-
30.0	2 $\frac{5}{8}$	2 $\frac{3}{16}$	1 $\frac{9}{16}$.550	.275	1.680	-	1.75	2.18
56.0	3	2 $\frac{1}{2}$	1 $\frac{13}{16}$.600	.300	1.900	-	2.00	2.50

PART NUMBER	VA (SIZE)	SECONDARY RMS RATING	
		SERIES	PARALLEL
P14A-2.5-10	2.5	10V C.T. @ 0.25A	5V @ 0.5A
P14A-5-10	5	10V C.T. @ 0.5A	5V @ 1.0A
P14A-10-10	10	10V C.T. @ 1.0A	5V @ 2.0A
P14A-20-10	20	10V C.T. @ 2.0A	5V @ 4.0A
P14A-30-10	30	10V C.T. @ 3.0A	5V @ 6.0A
P14A-56-10	56	10V C.T. @ 5.6A	5V @ 11.2A
P14A-2.5-12	2.5	12.6V C.T. @ 0.2A	6.3V @ 0.4A
P14A-5-12	5	12.6V C.T. @ 0.4A	6.3V @ 0.8A
P14A-10-12	10	12.6V C.T. @ 0.8A	6.3V @ 1.6A
P14A-20-12	20	12.6V C.T. @ 1.6A	6.3V @ 3.2A
P14A-30-12	30	12.6V C.T. @ 2.4A	6.3V @ 4.8A
P14A-56-12	56	12.6V C.T. @ 4.4A	6.3V @ 8.8A
P14A-2.5-16	2.5	16V C.T. @ 0.15A	8V @ 0.3A
P14A-5-16	5	16V C.T. @ 0.31A	8V @ 0.62A
P14A-10-16	10	16V C.T. @ 0.62A	8V @ 1.25A
P14A-20-16	20	16V C.T. @ 1.25A	8V @ 2.5A
P14A-30-16	30	16V C.T. @ 1.9A	8V @ 3.8A
P14A-56-16	56	16V C.T. @ 3.5A	8V @ 7.0A
P14A-2.5-20	2.5	20V C.T. @ 0.12A	10V @ 0.24A
P14A-5-20	5	20V C.T. @ 0.25A	10V @ 0.5A
P14A-10-20	10	20V C.T. @ 0.5A	10V @ 1.0A
P14A-20-20	20	20V C.T. @ 1.0A	10V @ 2.0A
P14A-30-20	30	20V C.T. @ 1.5A	10V @ 3.0A
P14A-56-20	56	20V C.T. @ 2.8A	10V @ 5.6A
P14A-2.5-24	2.5	24V C.T. @ 0.1A	12V @ 0.2A
P14A-5-24	5	24V C.T. @ 0.21A	12V @ 0.42A
P14A-10-24	10	24V C.T. @ 0.42A	12V @ 0.84A
P14A-20-24	20	24V C.T. @ 0.83A	12V @ 1.66A
P14A-30-24	30	24V C.T. @ 1.25A	12V @ 2.50A
P14A-56-24	56	24V C.T. @ 2.33A	12V @ 4.66A
P14A-2.5-28	2.5	28V C.T. @ 0.09A	14V @ 0.18A
P14A-5-28	5	28V C.T. @ 0.18A	14V @ 0.36A
P14A-10-28	10	28V C.T. @ 0.36A	14V @ 0.72A
P14A-20-28	20	28V C.T. @ 0.72A	14V @ 1.44A
P14A-30-28	30	28V C.T. @ 1.06A	14V @ 2.12A
P14A-56-28	56	28V C.T. @ 2.0A	14V @ 4.0A
P14A-2.5-36	2.5	36V C.T. @ 0.07A	18V @ 0.14A
P14A-5-36	5	36V C.T. @ 0.14A	18V @ 0.28A
P14A-10-36	10	36V C.T. @ 0.28A	18V @ 0.56A
P14A-20-36	20	36V C.T. @ 0.56A	18V @ 1.12A
P14A-30-36	30	36V C.T. @ 0.82A	18V @ 1.64A
P14A-56-36	56	36V C.T. @ 1.56A	18V @ 3.12A

PC Board Type

FEATURES

- The CET chassis mount series for triple output regulated supplies in (μ P) applications
- Dual complementary outputs with your regulators, ± 12 VDC and ± 15 VDC
- Additional isolated single output gives you 5VDC after regulation
- PC mount
- A low noise alternative to multi-output switchers
- Dual bobbin construction
- UL recognized File # E146472
- Approved to CSA 22.2 No. 66
- TUV approved
- Custom versions also available



Dimensions

Pin

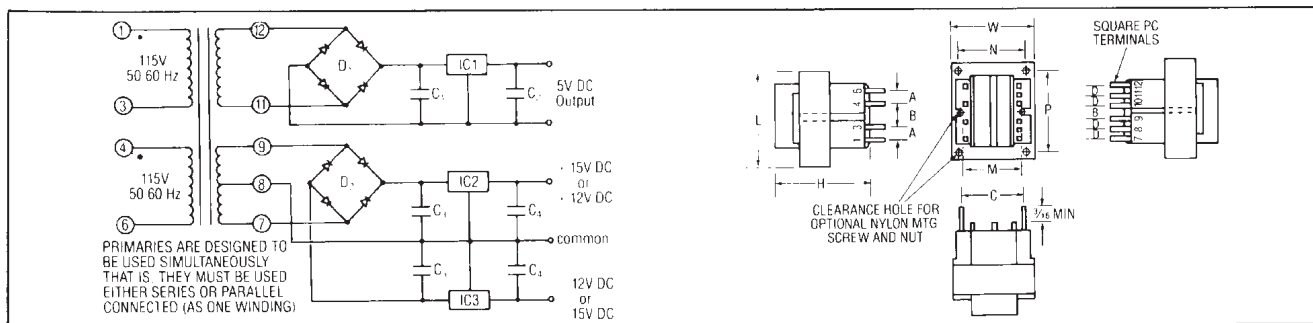
Mtg.

Mtg. Screw

Part Number	DC Output		VA	Suggested Components						(C ₂ , C ₄ , see Note 1)	
	Regulator 1	Regulator 2		C ₁	C ₂	IC1 ²	IC2 ²	IC3 ²	D1 ⁴	D2 ⁴	
Primary 50/60 Hz											
115.230V											
P14A-20-512	5V @ 750MA	± 12 V @200MA	20	2.3 KMFD	600 MFD @	LM-323K-5	LM-340K-12	LM320K-12	PE20	PF20	
P14A-20-515	5v @ 750MA	± 15 v@175MA	20	@ 50 VDC	@ 50 VDC	LM-323K-5	LM-340K-15	LM-320K-15	PE20	PF20	
Primary 50/60 Hz											
P14A-30-512	5v @ 1.25A	± 12 v@250MA	30	4.1 KMFD	1.1 KMFD	LM-323K-5	LM-340K-12	LM-320K-12	PE20	PF20	
P14A-30-515	5v @ 1.25A	± 15 v@200MA	30	@15 VDC	@50 VDC	LM-323K-5	LM-340K-15	LM-320K-15	PE20	PF20	
Primary 50/60 Hz											
P14A-56-512	5v @ 3A	± 12 v@300MA	56	10. KMFD	1.1 KMFD	LM-338 ²	LM-340K-12	LM-340K-12	PP20	PF20	
P14A-56-515	5v @ 3A	± 15 v@250MA	56	@ 15 VDC	@ 50 VDC	LM-338 ²	LM-340K-15	LM-340K-15	PP20	PF20	

Note:

1. Output capacitors C₂ and C₄ are required to stabilize regulators. Values can be 1 MFD min. tantalum or 10MFD min. electrolytic, 20V min.
2. LM-338 is an adjustable regulator and MFR's specifications (National Semiconductor) should be consulted for values of external components.
3. All ICs are National Semiconductor types.



VA	L	W	H	A	B	C	D	Dimensions	M	N	P	Size	Quantity	Lbs.
20.0	21/4	17/8	15/8	.400	.400	1.460	.200	0.038SQ	1 1/2	—	—	#4	2	0.90
30.0	25/8	23/16	19/16	.550	.275	1.680	.275	0.045SQ	—	13/4	23/16	#6	4	1.15
56.0	3	2 1/2	1 13/16	.600	.300	1.900	.300	0.045SQ	—	2	2 1/2	#6	4	1.70