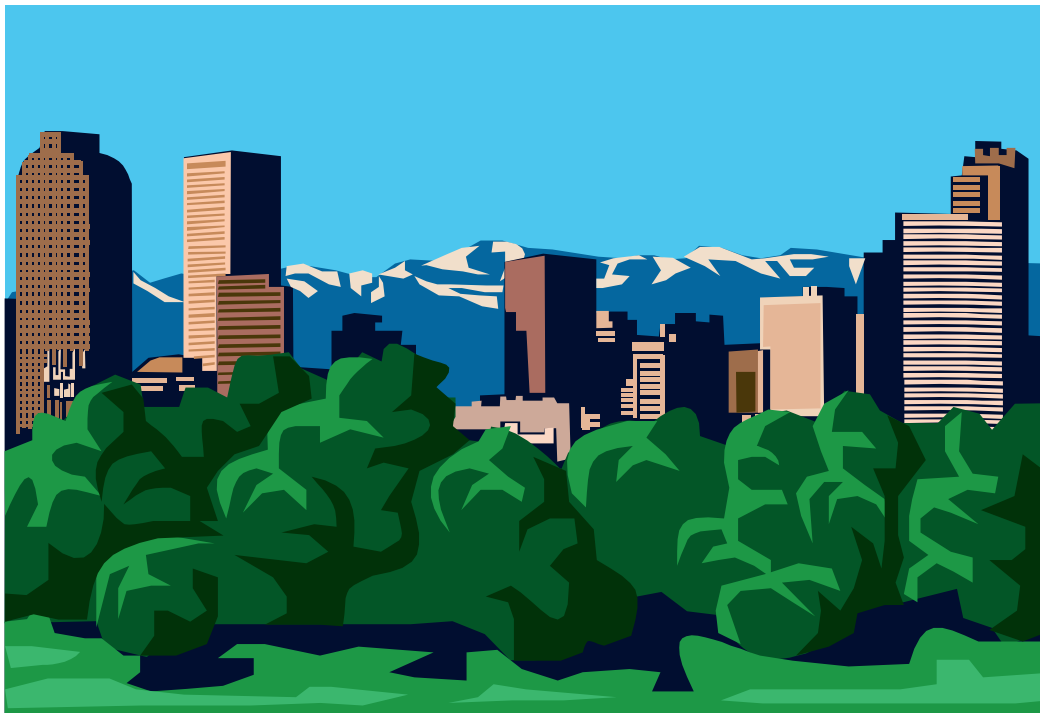




CFM COMPANY

Warehouse STOCK Catalog



Your Colorado Warehouse for
Quality Commercial HVAC Products



CFM COMPANY

South Office

Branch Manager
Jarett Dollyhigh

4260 Buckingham Dr, Ste 130
Colorado Springs, CO 80907

P: 719-528-1116
F: 719-528-6892

North Office

Branch Manager
Justin Dunkin

413D N Hwy 287
Ft Collins, CO 80524-4853

P: 970-493-7293
F: 970-493-7297

**Headquarters &
Air Distribution Sales**

STOCKING WAREHOUSE

President
Gene Krist

Vice Presidents
Tim Hallett
Mike Lowe

1440 S Lipan St
Denver, CO 80223

P: 303-761-2291
F: 303-761-0325

.....

Warehouse Manager
Steve Schultz

**Mechanical, End User,
Engineering Sales & Parts**

Branch Manager
Mike Lowe

602 S Lipan St
Denver, CO 80223

P: 303-761-2291
F: 303-777-8531

West Office

Branch Manager
Dan Boehm

575 S Westgate Rd
Grand Junction, CO 81505

P: 970-243-4377
F: 970-243-0068

Corporate Background

CFM Company is a Colorado Corporation, formed to market products in the field of heating, ventilating and air conditioning in Colorado and Wyoming.

This catalog reflects the products distributed through our warehouses.
See our line card on the following pages for these and other products sold by CFM Company.

Company Mission

The on-going purpose of CFM Company is to:

Represent the finest manufacturers of high quality HVAC equipment, provide professional customer service to the local engineering and contracting community, as well as developing long lasting business relationships in the HVAC industry.



NOTES



AAF International, Inc

Air Filters, HEPA Filter Modules, Fan Powered HEPAS, Dust Collectors



ABB

Variable Frequency Drives



Air Concepts

Air Nozzles; Round Directional Grilles; Pukah Grilles; Drum Louvers



Alfa Laval

Plate and Frame Heat Exchangers, Brazed Plate Heat Exchangers, Condensers, Water Cooled Heat Exchangers



AMBER/BOOTH
A VMC Group Company

Amber Booth

Vibration Isolation, Seismic Restraints, Floating Floors



AQC Dust Collecting Systems

Dust Collection Systems, Source Capture Equipment, Fume Arms, Hose Reels, Portable Dust Collection



S.A. Armstrong

Centrifugal Pumps; Pump Suction Diffusers; Flo-Trex Combination Valves; Expansion Products; Air Separators; Shell and Tube Heat Exchangers; Plate Heat Exchangers; Packaged HVAC Pumping Systems, Pump and Plant Controls



Baltimore Aircoil

Evaporative Condensers; Closed Circuit Cooling Towers; Factory Built Cooling Towers; Ice Storage Tanks; and Ice Coils for Field Erected Thermal Storage Systems



Berko

Electric Resistance Comfort Heat; Electric Infrared Heat



BLC Industries, Inc

Automatic Roll Filters, Side Service Filter Housings, ASHRAE & HEPA Filters



Cerus Industrial

Standard Motor Starters, Advanced Motor Starters with Building Automation Compatibility



ClimaCool

Modular Chillers Systems - Water Cooled, Heat Recovery, Heat Pump, & Air Cooled Remote Units



Contamination Technology Corporation

Bag In / Bag Out Filter Housing, V Bed Carbon Absorbers, Skid Mounted Systems, Bubble Tight Isolation Dampers



Dri-Steem Humidifier Company

Humidifiers (Steam Injection, Electric, Gas, Steam-to-steam, Liquid-to-steam & Ultrasorb), Condensate Coolers



Ductsox

Fabric Air Dispersion Products, Laboratory Ventilation Products, Underfloor Distribution Products



Enerflex (formerly Exhausto)

Combustion Air Fan Systems; Draft Equipment & Chimney Fans; Dryer Venting Systems



FanAm, Inc

Polypropylene Fans



Flexmaster

Spin-in Fittings; Low Pressure Flexible Duct; High Pressure Flexible Duct



Flow Design, Inc

Automatic Flow Control Valves, Manual Flow Control Valves, Valve Piping Packages



Greenheck

Roof Mounted Fans and Gravity Ventilators; Utility, Centrifugal and Radial Blowers; Inline, Ceiling and Sidewall Fan; Dampers and Louvers; Energy Recovery, Make-Up Air, Air Handlers, Fan Coils, Underfloor Fan Coils; Kitchen Ventilation Systems; Vektor™ Laboratory Exhaust Systems



**CFM
SUPPLY
COMPANY**



Griswold

Chemical Free Water Treatment and Filtration



Governair

Custom Air Handlers, Custom Penthouse Systems, Evaporative-Cooled Chillers & Packaged Air Handling Units, FanWall® Technology



Hansentek

Fire Detection & Fire Suppression for Dust Collection Systems



Huntair

CleanSuite® Operating Room Ceiling Systems
Custom Air Handling Units
FanWall® Technology



Indeeco

Open Element and Finned Tubular Electric Duct Coils; Explosion Proof Electric Heating Products; Electric Resistance Comfort Heat; Electric Boilers



International Environmental (IEC)

Direct Driven Fan Coil Units, Belt Driven Fan Coil Units and Hi-Rise Fan Coil Units



KB Duct (formerly Kirk & Blum)

High Pressure Duct & Fittings, Dust Control Accessories, "Quick Clamp" duct



Kelley

High Volume Low Speed (HVLS) Fans, Large Destratification Fans, Fan Controls, Solar Powered High Volume Low Speed (HVLS) Fans



Magic Aire

Classroom Unit Ventilators (Vertical, Horizontal & Self-Contained)



Mammoth

Packaged DX and Evaporative Condensing Rooftop Units, Replacement Rooftop Units, Air Cooled and Evaporative Condensing Chillers, Standard and Ground Source Heat Pumps, FanWall® Technology, Custom Penthouses



National Systems of Garage Ventilation (NSGV)

Vehicle Exhaust Systems, Welding Fume Exhaust Arms, Welding Hoods



Paragon Controls, Incorporated

Airflow and Pressure Measurement Control Devices



Powered Air, Inc
Air Curtains



Price Industries

Grilles, Registers, Diffusers, Variable Air Volume and Fan Powered Boxes, Under Floor Distribution Systems, Security Products, Displacement Air Systems, Fan Coil Units, Sound Attenuators, Chilled Beams/Chilled Sails



Puroflux

Separators, Sand Filters



Roberts Gordon

Co-Ray-Vac, Gas Fired Infrared Tube Heaters & Gas Fired Unit Heaters



Runtal Radiator
Hot Water Radiators



Samsung

Variable Refrigerant Flow (VRF) Systems;
Mini Split Air Conditioners



Selkirk Metalbestos

PS (Positive Pressure Stack Systems), Stainless Steel (AL-294C) Stack Systems, Grease Duct, Diesel Exhaust Flue, Zero Clearance Flue



Semco

Acoustic Sound Enclosures; Air Handling Plenum Walls; Sound Attenuators



**CFM
SUPPLY
COMPANY**



Smardt

Magnetic Bearing Chillers -- Water Cooled, Air Cooled, Evaporative Condensed, Remote Condensers and Heat Recovery Chillers



Steril-Aire
UVC Emitters



Sterling
Finned Tube Radiation/Baseboard, Convectors, Cabinet Unit Heaters, Unit Heaters & Radiant Ceiling - Heating and Cooling Panels



Temtrol
Central Station Units, Custom Air Handling Units, Penthouse Air Handling Units, Hydronic Coils, FanWall® Technology



Triatek

Venturi Air Valves, Lab and Fume Hood Controls, Hospital and Industrial Controls & Controls / Displays / Sensors



TSI

Custom cooling applications -- Air Cooled Condensers; Condensing Units, Chillers, Fluid Coolers



Venmar CES

Pool Dehumidification Units; Air to Air Heat Exchangers; Energy Recovery Units & Heat Recovery Units; Heat Pipes; Custom DX and Gas-Fired Air Handling Units



Vent Products

Backdraft and Control Dampers, Louvers, Louvered Penthouse & Gravity Hoods



Ventrol

Custom Air Handling Units, Knock-down (field re-assembled) Air Handling Units, FanWall® Technology



Vulcan Radiator Corporation

Hydronic Finned Tube Radiation, Electric Radiation, Cabinet Unit Heaters, Unit Heaters



Water Furnace International

Geo-thermal Heat Pump Systems, Extended Range Commercial Heat Pumps



Westernaire

Custom Make-Up-Air Units; Indirect/Direct Custom Air Handling Units



The Whalen Company

Whalen Company

Hi-Rise Vertical Stacked Fan Coil Units, Hi-Rise Vertical Stacked Heat Pumps



Young Regulator

Dampers, Concealed Regulators (Bowden Cable Systems)



ZOO Fans

De-stratification Fans; Spot Cooling Fans

TABLE OF CONTENTS

▶ Grilles, Registers, Diffusers

Perforated Supply Diffuser	PDF / PDC	1
Step Down Supply Diffuser	SCD / SCDA	2
Plaque Ceiling Diffuser	SPD	3
Modular Core Directional Diffuser	SMCD	3
Louvered Face Ceiling Diffuser	SMD / SMDA	4
Round Ceiling Diffuser	RCDE	5
Variable Volume Diffuser	VPD-HC	5
Transition / Adaptor	SQ to RD	6
Plenum Slot Diffuser	TBDI-4100	7
Lay-in Perforated Return Grille / Return Panel	PDDR / PFRF	8
Double Deflection Supply Register	520D	9
Spiral Duct Grille	SDG	9
Louvered Return Grille	530	10
Louvered Filter Return Grille	530FF	10
Eggcrate Return Grille	80-SM / 80-TB	11
Louvered Door Grille	STG-BF	12
Rapid Mount Trim Frame	SPF / APF	13

▶ Dampers

Round Volume Control Damper (Diffuser)	VCR-9 / VCR-7	14
Opposed Blade Damper (Grille)	VCS-3	14
Combination Fire/Smoke Damper	FSD-212	26
Backdraft Damper	WD-100	27
Round Manual Balancing Damper (Duct)	SLD-BO3	27
Remote Damper Operator	YR-270	27

▶ Spin-in Fittings

Straight Spin-in Fitting with damper	FLD	15
Conical Spin-in Fitting with & without damper	CBD / CB	15

▶ Clamps

Stainless Steel Flex Clamp	LS	16
----------------------------	----	----

▶ Flexible Duct

1M	16
F216	17

TABLE OF CONTENTS - CONTINUED

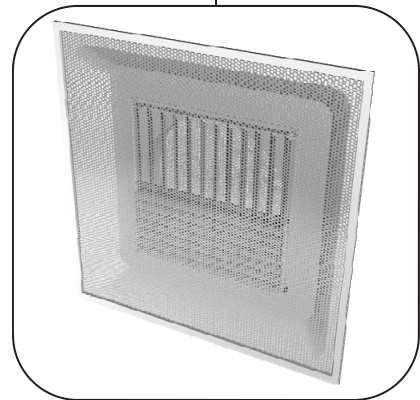
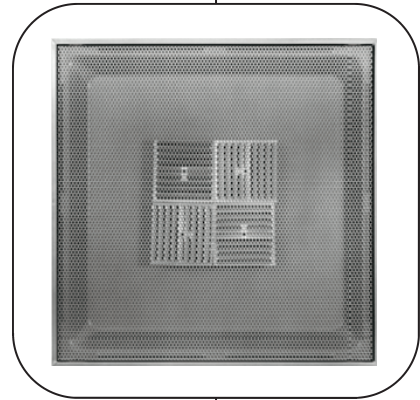
▶ Terminal Boxes		
Single Duct VAV Terminal Unit	SDV5	18
Pneumatic Control Terminal Unit	SPV8	19
Hot Water Coil & Other Accessories	WC	20
▶ Ceiling Fans		
Ceiling Exhaust Fan	SP-A / SP-B	21
Inline Exhaust Fan	CSP	22
▶ Roof Exhaust Fans		
Centrifugal Roof Exhaust Fan	G-VG	23
▶ Roof Curbs & Fan Discharge Accessories		
	GPI / FSC / WC6	24
▶ Magnetic Starter		
Cerus Single Phase Magnetic Starter	BAS-1P	25
▶ Isolators		
Aluminum Housed Isolator	CALE	28
Open Spring Isolator	A	29
Spring Hanging Isolator	HSA	30
Hanging S&R Isolator	HRSA	31
Base Mounted Rubber-In-Shear Isolator	RVD	32
Hanging Rubber-In-Shear Isolator	HR-A / HR-B	32
Base Mounted Rubber Pad	NRC	32
▶ Infrared Heating Parts & Accessories		
	Roberts Gordon	33
▶ Cooling Tower Parts		
	Baltimore Air Coil	33
▶ Manual Flow Control Valves & Valve Packages		
	Flow Design, Inc	33
▶ Equations and Calculations		
		34
▶ Terms and Conditions		
		37



Model PDF / Perforated Supply Diffuser

- Construction: Steel
- Finish: B12 White baked enamel
- Square perforated ceiling diffuser with adjustable pattern deflectors mounted on diffuser face, hinged face
- Optional Round Volume Control Damper available - page 14
- Optional Rapid Mount Trim Frame available - page 13

CFM Part Number	Inlet Size	Frame	Module Size	Air Pattern	Pricing Page
PDF	6"	Type 3 Lay-In	12" x 12"	4-Way	1
PDF	6"	Type 3 Lay-In	24" x 24"	4-Way	1
PDF	8"	Type 3 Lay-In	24" x 24"	4-Way	1
PDF	10"	Type 3 Lay-In	24" x 24"	4-Way	1
PDF	12"	Type 3 Lay-In	24" x 24"	4-Way	1
PDF	14"	Type 3 Lay-In	24" x 24"	4-Way	1
PDF	16"	Type 3 Lay-In	24" x 24"	4-Way	1



Model PDC / Perforated Supply Diffuser

- Construction: Steel
- Finish: B12 White baked enamel
- Square perforated ceiling diffuser with adjustable pattern deflectors mounted in the neck of the diffuser, hinged face
- Optional Round Volume Control Damper available - page 14
- Optional Rapid Mount Trim Frame available - page 13

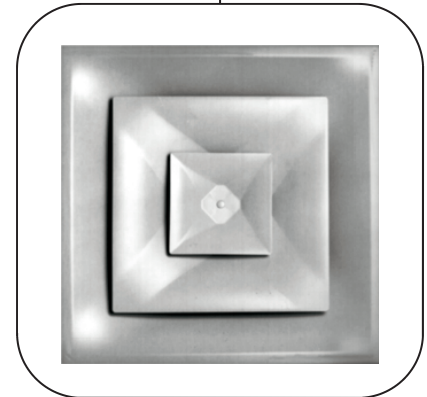
CFM Part Number	Inlet Size	Frame	Module Size	Air Pattern	Pricing Page
PDC	6"	Type 3 Lay-In	24" x 24"	4-Way	1
PDC	8"	Type 3 Lay-In	24" x 24"	4-Way	1
PDC	10"	Type 3 Lay-In	24" x 24"	4-Way	1
PDC	12"	Type 3 Lay-In	24" x 24"	4-Way	1
PDC	14"	Type 3 Lay-In	24" x 24"	4-Way	1
PDC	16"	Type 3 Lay-In	24" x 24"	4-Way	1



Model SCD / Step Down Supply Diffuser

- Construction: Steel
- Finish: B12 White baked enamel
- Square cone ceiling diffuser with removable core
- Optional Round Volume Control Damper available - page 14
- Optional Rapid Mount Trim Frame available - page 13

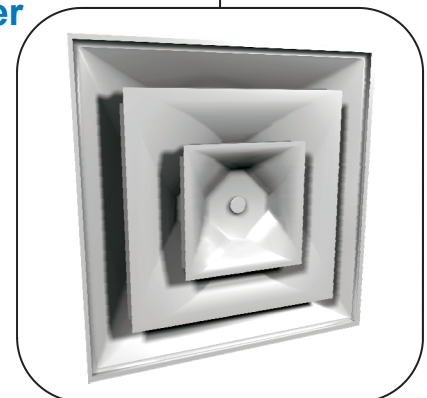
CFM Part Number	Inlet Size	Frame	Module Size	Pricing Page
SCD	6"	Type 3 Lay-In	12" x 12"	1
SCD	8"	Type 3 Lay-In	12" x 12"	1
SCD	6"	Type 3 Lay-In	24" x 24"	1
SCD	8"	Type 3 Lay-In	24" x 24"	1
SCD	10"	Type 3 Lay-In	24" x 24"	1
SCD	12"	Type 3 Lay-In	24" x 24"	1
SCD	14"	Type 3 Lay-In	24" x 24"	1



Model SCDA / Adjustable Step Down Supply Diffuser

- Construction: Steel
- Finish: B12 White baked enamel
- Square cone ceiling diffuser with adjustable core for vertical (heating) or horizontal (cooling) application, removable core
- Optional Round Volume Control Damper available - page 14
- Optional Rapid Mount Trim Frame available - page 13

CFM Part Number	Inlet Size	Frame	Module Size	Pricing Page
SCDA	6"	Type 3 Lay-In	24" x 24"	1
SCDA	8"	Type 3 Lay-In	24" x 24"	1
SCDA	10"	Type 3 Lay-In	24" x 24"	1
SCDA	12"	Type 3 Lay-In	24" x 24"	1
SCDA	14"	Type 3 Lay-In	24" x 24"	1

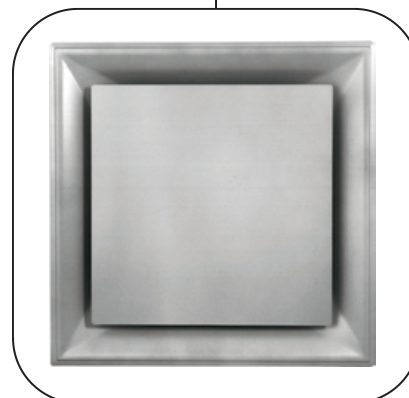




Model SPD / Plaque Ceiling Diffuser

- Construction: Steel
- Finish: B12 White baked enamel
- Square plaque diffuser with removable core
- Optional Round Volume Control Damper available - page 14
- Optional Rapid Mount Trim Frame available - page 13

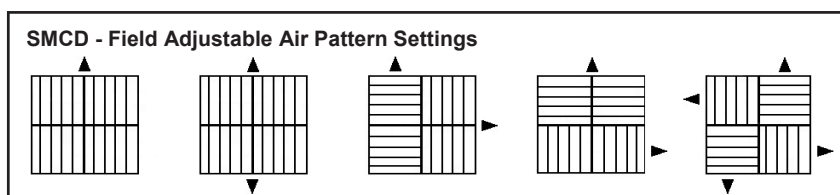
CFM Part Number	Inlet Size	Frame	Module Size	Pricing Page
SPD	6"	Type 3 Lay-In	12" x 12"	1
SPD	8"	Type 3 Lay-in	12" x 12"	1
SPD	6"	Type 3 Lay-In	24" x 24"	1
SPD	8"	Type 3 Lay-In	24" x 24"	1
SPD	10"	Type 3 Lay-In	24" x 24"	1
SPD	12"	Type 3 Lay-In	24" x 24"	1
SPD	14"	Type 3 Lay-in	24" x 24"	1



Model SMCD / Modular Core Directional Diffuser

- Construction: Steel
- Finish: B12 White baked enamel
- Modular core diffuser handles an unusually large amount of air for a given pressure drop and noise level
- Optional Opposed Blade Damper available - page 14
- Optional Square-to-Round Adapters available - page 6
- Optional Rapid Mount Trim Frame available - page 13

CFM Part Number	Nominal Neck Size	Frame	Module Size	Pricing Page
SMCD	12" x 12"	Type 3P Lay-In	24" x 24"	1



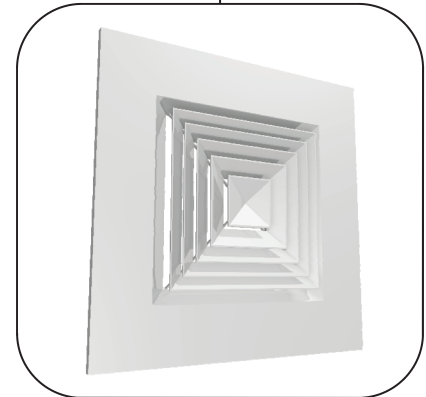


Model SMD / Louvered Face Ceiling Diffuser

- Construction: Steel
- Finish: B12 White baked enamel
- Square directional lay-in ceiling diffuser with removable core, 4-way pattern
- Optional Opposed Blade Damper available - page 14
- Optional Square-to-Round Adapters available - page 6
- Optional Rapid Mount Trim Frame available - page 13

CFM Part Number	Nominal Neck Size	Frame	Module Size	Air Pattern	Pricing Page
SMD	6" x 6"	Type 6 Surface	-	4-Way	2
SMD	9" x 9"	Type 6 Surface	-	4-Way	2
SMD	12" x 12"	Type 6 Surface	-	4-Way	2
SMD	15" x 15"	Type 6 Surface	-	4-Way	2
SMD	18" x 18"	Type 6 Surface	-	4-Way	2
SMD	6" x 6"	Type 3P Lay-In	24" x 24"	4-Way	2
SMD	9" x 9"	Type 3P Lay-In	24" x 24"	4-Way	2
SMD	12" x 12"	Type 3P Lay-In	24" x 24"	4-Way	2
SMD	15" x 15"	Type 3P Lay-In	24" x 24"	4-Way	2
SMD	18" x 18"	Type 3P Lay-In	24" x 24"	4-Way	2

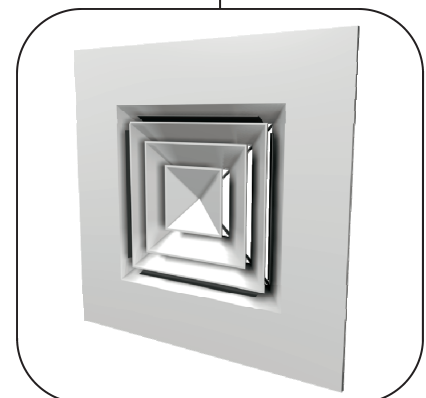
Note: Ceiling Opening on Frame 6 is Nominal Neck Plus 1"



Model SMDA / Adjustable Louvered Face Ceiling Diffuser

- Construction: Steel
- Finish: B12 White baked enamel
- Vertical to Horizontal adjustable air pattern
- Square directional lay-in ceiling diffuser with removable core, 4-way pattern
- Optional Opposed Blade Damper available - page 14
- Optional Square-to-Round Adapters available - page 6
- Optional Rapid Mount Trim Frame available - page 13

CFM Part Number	Nominal Neck Size	Frame	Module Size	Air Pattern	Pricing Page
SMDA	9" x 9"	Type 3P Lay-In	24" x 24"	4-Way	2
SMDA	12" x 12"	Type 3P Lay-In	24" x 24"	4-Way	2





Model RCDE / Round Ceiling Diffuser

- Construction: Steel
- Finish: B12 White baked enamel
- Round adjustable ceiling diffuser with removable core
- Optional Round Volume Control Damper available - page 14

CFM Part Number	Nominal Duct Size	Frame	Pricing Page
RCDE	6"	Type 1 Surface	2
RCDE	8"	Type 1 Surface	2
RCDE	10"	Type 1 Surface	2
RCDE	12"	Type 1 Surface	2
RCDE	14"	Type 1 Surface	2
RCDE	16"	Type 1 Surface	2



Model VPD-HC / Variable Volume Diffuser

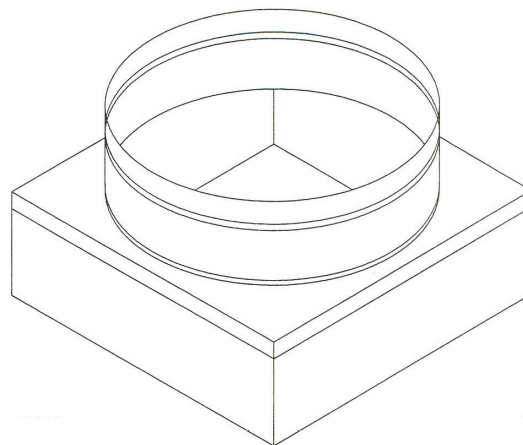
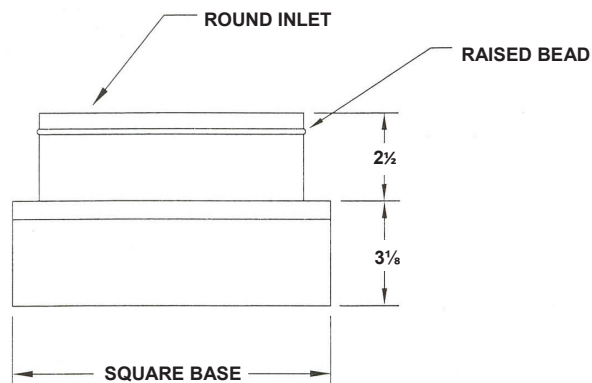
- Construction: Steel
- Finish: B12 White baked enamel
- Varitherm diffusers feature an architecturally appealing solid plaque design and high performance control linkage. The plaque can be opened to allow easy access to temperature set point dials and minimum airflow adjustment.
- Optional Rapid Mount Trim Frame available - page 13

CFM Part Number	Nominal Duct Size	Frame	Ceiling Module Size	Pricing Page
VPDHC	6"	Type 3 Lay-in	24" x 24"	2
VPDHC	8"	Type 3 Lay-in	24" x 24"	2
VPDHC	10"	Type 3 Lay-in	24" x 24"	2
VPDHC	12"	Type 3 Lay-in	24" x 24"	2



Square-to-Round Adaptor

- Construction: 24ga Steel
- Finish: Interior painted Black
- 3" high square base
- 2.5" high round neck with bead
- Fits over neck of diffuser or return grille



CFM Part Number	Size	Pricing Page
SQ to RD	6" x 6" to 6" dia	3
SQ to RD	8" x 8" to 6" dia	3
SQ to RD	8" x 8" to 8" dia	3
SQ to RD	9" x 9" to 6" dia	3
SQ to RD	9" x 9" to 8" dia	3
SQ to RD	10" x 10" to 6" dia	3
SQ to RD	10" x 10" to 8" dia	3
SQ to RD	10" x 10" to 10" dia	3
SQ to RD	12" x 12" to 6" dia	3
SQ to RD	12" x 12" to 8" dia	3
SQ to RD	12" x 12" to 10" dia	3
SQ to RD	12" x 12" to 12" dia	3
SQ to RD	14" x 14" to 12" dia	3
SQ to RD	15" x 15" to 8" dia	3
SQ to RD	15" x 15" to 10" dia	3
SQ to RD	15" x 15" to 12" dia	3

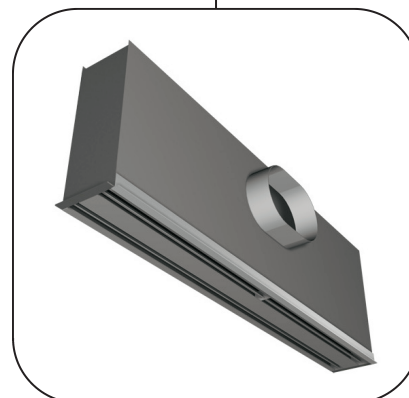
CFM Part Number	Size	Pricing Page
SQ to RD	15" x 15" to 14" dia	3
SQ to RD	16" x 16" to 14" dia	3
SQ to RD	18" x 18" to 8" dia	3
SQ to RD	18" x 18" to 10" dia	3
SQ to RD	18" x 18" to 12" dia	3
SQ to RD	18" x 18" to 14" dia	3
SQ to RD	18" x 18" to 16" dia	3
SQ to RD	18" x 18" to 18" dia	3
SQ to RD	22" x 22" to 8" dia	3
SQ to RD	22" x 22" to 10" dia	3
SQ to RD	22" x 22" to 12" dia	3
SQ to RD	22" x 22" to 14" dia	3
SQ to RD	22" x 22" to 16" dia	3
SQ to RD	22" x 22" to 18" dia	3
SQ to RD	22" x 10" to 8" dia	3
SQ to RD	22" x 10" to 10" dia	3



Model TBDI-4100 / Plenum Slot Diffuser

- Construction: Steel
- Finish: B12 White baked enamel
- Insulated plenum slot diffuser with adjustable pattern controllers, oval inlet, channel frame for lay-in T bar applications
- Optional Slot Diffuser Rapid Mount Trim Frame available - page 13

CFM Part Number	Size	Inlet Size	Pricing Page
TBDI-4100	24" x 2 slot, 1" slot width	8"	2
TBDI-4100	48" x 2 slot, 1" slot width	8"	2
TBDI-4100	48" x 2 slot, 1" slot width	10"	2



Stop by our Warehouse TODAY!!
1440 S Lipan St - Denver, CO 80223

We are open Monday through Friday
7:00 am - 4:00 pm

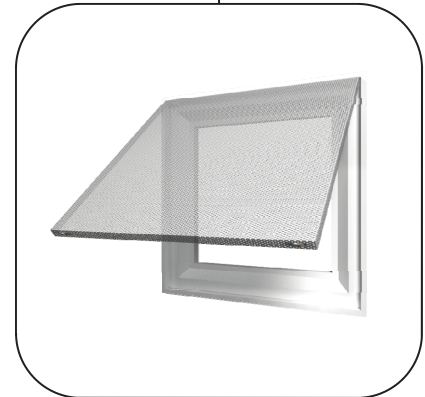




Model PDDR / Lay-In Perforated Return Grille

- Construction: Steel
- Finish: B12 White baked enamel
- Square perforated return grille with neck
- Optional Opposed Blade Damper available - page 14
- Optional Square-to-Round available - page 6
- Optional Rapid Mount Trim Frame available - page 13

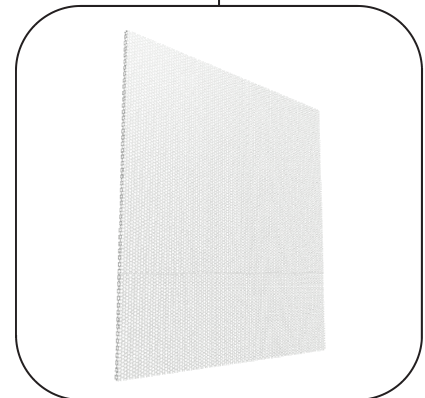
CFM Part Number	Face Size	Neck Size	Pricing Page
PDDR	12" x 12"	10" x 10"	4
PDDR	24" x 12"	22" x 10"	4
PDDR	24" x 24"	22" x 22"	4
PDDR	48" x 24"	46" x 22"	4



Model PFRF / Lay-in Perforated Return Panel

- Construction: Steel
- Finish: B12 White baked enamel
- Square perforated return panel - NO neck
- Optional Rapid Mount Trim Frame available - page 13

CFM Part Number	Face Size	Pricing Page
PFRF	24" x 12"	4
PFRF	24" x 24"	4
PFRF	48" x 24"	4





Model 520D / Double Deflection Supply Register

- Construction: Steel
- Finish: B12 White baked enamel
- Opposed Blade Volume Damper
- Double deflection supply air register has individually adjustable blades with the front set parallel to the short dimension with 3/4" blade spacing.

	Width											Pricing Page
	6	8	10	12	14	16	18	20	24	30	36	
H	x	x	x	x	x							5
e	x	x	x	x	x	x	x		x			5
i		x	x	x	x	x	x		x			5
g			x	x	x	x	x	x	x			5
h				x	x	x	x		x	x	x	5
t					x				x			5
						x			x			6
							x		x	x	x	6
								x				6
									x			6

Note - X indicates stocked sizes



Model SDG / Spiral Duct Grille

- Construction: Galvanized Steel frame and blades
- Finish: Mill Galvanized
- Intended for use in spiral or round duct applications. 3/4" blade spacing. Includes Air Scoop with Rod Operator and gasket

CFM Part Number	Size	Pricing Page
SDG	10" x 4"	6
SDG	12" x 6"	6
SDG	14" x 8"	6
SDG	16" x 10"	6



Model 530 / Louvered Return Grille

- Construction: Steel
- Finish: B12 White baked enamel
- Single deflection return air grille has fixed blades parallel to the long dimension, 45° deflection, short radius, 3/4" blade spacing.

	Width												Pricing Page
	6	8	10	12	14	16	18	20	22*	24	30	36	
H	x	x	x	x	x								7
e	x	x	x	x	x	x	x			x			7
i		x	x	x	x	x	x			x			7
g			x	x	x	x	x		x	x			7
h				x	x					x			7
t					x					x			7
						x				x			8
							x			x	x	x	8
								x					8
									x				8
										x	x	x	8
* 22 x 10 and 22 x 22 are for Lay-In Application													
Note - X indicates stocked sizes													
OBDs are available as an Option in sizes HIGHLIGHTED in YELLOW - Page 14													



Model 530FF / Louvered Filter Return Grille

- Construction: Steel
- Finish: B12 White baked enamel
- Single deflection lay-in filtered return air grille has fixed blades, 45° deflection, 3/4" blade spacing, 1" filter rack, Quarter turn fasteners
- Optional 1" MERV 3 Filter
- Optional Rapid Mount Trim Frame available - page 13

CFM Part Number	Nominal Duct Size	Module Size	Pricing Page
530FF	20" x 20"	24" x 24"	8
MERV 3 1" Filter	20" x 20"		8

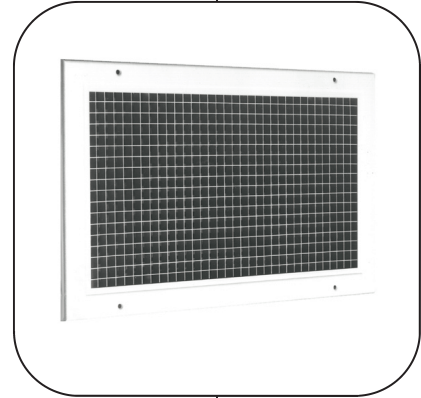




Model 80-SM / Eggcrate Return Grille

- Construction: Aluminum
- Finish: B12 White baked enamel
- Surface mount eggcrate return or exhaust air grille has 1/2" x 1/2" x 1/2" core
- Optional Opposed Blade Damper available - page 14

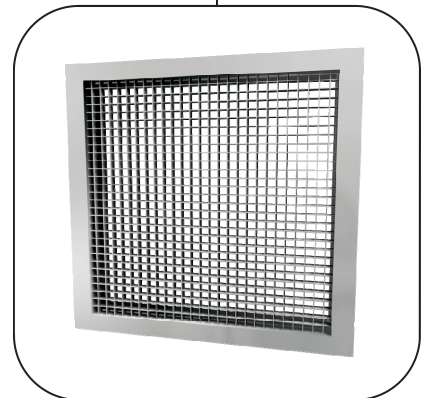
CFM Part Number	Nom Duct Size	Frame	Pricing Page
80-SM	6" x 6"	Type 1 Surface	9
80-SM	8" x 8"	Type 1 Surface	9
80-SM	10" x 10"	Type 1 Surface	9
80-SM	12" x 12"	Type 1 Surface	9
80-SM	14" x 14"	Type 1 Surface	9
80-SM	16" x 16"	Type 1 Surface	9
80-SM	18" x 18"	Type 1 Surface	9



Model 80-TB / Eggcrate Return Grille

- Construction: Aluminum
- Finish: B12 White baked enamel
- Lay-in eggcrate return or exhaust air grille has 1/2" x 1/2" x 1/2" core
- Optional Opposed Blade Damper available - page 14
- Optional Square-to-Round Adapters available - page 6
- Optional Rapid Mount Trim Frame available - page 13

CFM Part Number	Module Size	Nom Duct Size	Frame	Pricing Page
80-TB	24" x 12"	22" x 10"	Type 3 Lay-in	9
80-TB	24" x 24"	22" x 22"	Type 3 Lay-in	9
80-TB	48" x 24"	46" x 22"	Type 3 Lay-in	9





Model STG-BF / Louvered Door Grille

- ▶ Construction: Heavy Duty 20ga Steel
- ▶ Finish: B12 White baked enamel
- ▶ Auxiliary Frame for finished back of door

CFM Part Number	Size	Pricing Page
STG-BF	12" x 12"	9
STG-BF	18" x 12"	9
STG-BF	18" x 18"	9
STG-BF	24" x 12"	9
STG-BF	24" x 18"	9



PRICE INDUSTRIES Website is easy to use and delivers the most up-to-date information available from Price.



The catalog is a comprehensive collection of all the products that Price has to offer, with specifications, performance and dimensional data.

Since the first edition of the Price All-In-One Catalog in 1993, our engineering team have continued to bolster the technical content and support materials included in the catalog. This includes advanced theory, application information and design examples—all based on the most current research.

Visit www.price-hvac.com to access over 2,500 pages of product information, the most comprehensive Revit library in the HVAC industry, hundreds of smoke test videos, case studies, training modules, software downloads and more.



The 7th edition of the Price Catalog is a 5 volume set with over 2,300 pages of air distribution products. This edition has newly added sections for Fan Coils, Active and Passive Beams, Natural Ventilation, and as a brand new book, Volume 5. Product for Noise Control. The catalog is a comprehensive collection of all the products that Price has to offer with specifications, performance and dimensional data.

Contact your local Price Representative to receive your copy today!

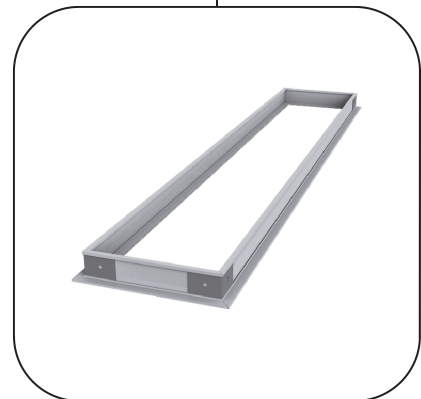
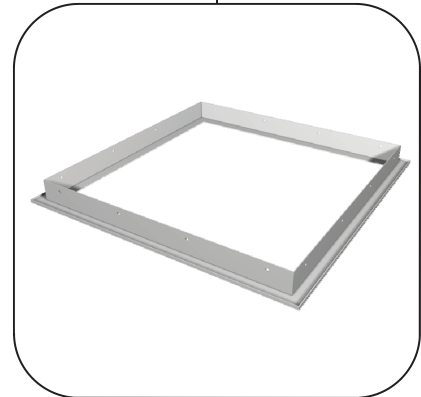




Model SPF / Rapid Mount Trim Frame

- › Construction: Heavy Duty 20ga Steel
- › Finish: B12 White baked enamel
- › Converts surface mount to lay-in
- › Ceiling opening dimension is Nominal + 1/4"

CFM Part Number	Nominal Size	Pricing Page
SPF	12" x 12"	9
SPF	24" x 12"	9
SPF	24" x 24"	9
SPF	48" x 24"	9



Model APF / Slot Diffuser Rapid Mount Trim Frame

- › Construction: Extruded Aluminum
- › Finish: B12 White baked enamel
- › Slot diffuser frame
- › Ceiling opening dimension is Nominal + 1/4"

CFM Part Number	Nominal Size	Pricing Page
APF	24" x 4"	9
APF	48" x 4"	9



PRICE INDUSTRIES offers the ALL IN ONE software to assist with your project selections.

PRICE INDUSTRIES also offers a Handbook full of application information





Model VCR9 / Round Volume Control Damper

- Construction: Steel
- Finish: Mill
- Neck mounted

CFM Part Number	Module Size	Pricing Page
VCR9	6"	10
VCR9	8"	10
VCR9	10"	10
VCR9	12"	10
VCR9	14"	10



Model VCR7 / Round Volume Control Damper

- Construction: Steel
- Finish: Mill
- Neck mounted

CFM Part Number	Module Size	Pricing Page
VCR7	16"	10



Model VCS3 / Opposed Blade Damper

- Construction: Steel
- Finish: Mill
- Neck mounted

CFM Part Number	Module Size	Pricing Page	CFM Part Number	Module Size	Pricing Page
VCS3	6" x 6"	10	VCS3	15" x 15"	10
VCS3	8" x 8"	10	VCS3	16" x 16"	10
VCS3	9" x 9"	10	VCS3	18" x 18"	10
VCS3	10" x 10"	10	VCS3	20" x 20"	10
VCS3	12" x 12"	10	VCS3	22" x 10"	10
VCS3	14" x 14"	10	VCS3	22" X 22"	10





Model FLD / Straight Spin-in Fitting

- › Construction: 26ga G90 Galvanized Steel
- › Sheet metal spins with damper

CFM Part Number	Size	Length	Pricing Page
FLD	6"	7"	11
FLD	8"	7"	11
FLD	10"	7"	11
FLD	12"	7"	11
FLD	14"	7"	11
FLD	16"	7"	11



Model CBD / Conical Spin-in Fitting

- › Construction: 26ga G90 Galvanized Steel
- › Sheet metal bellmouth spins with damper

CFM Part Number	Size	Length	Pricing Page
CBD	6"	10"	11
CBD	8"	10"	11
CBD	10"	10"	11
CBD	12"	10"	11
CBD	14"	10"	11
CBD	16"	10"	11



Model CB / Conical Spin-in Fitting

- › Construction: 26ga G90 Galvanized Steel
- › Sheet metal bellmouth spins without damper

CFM Part Number	Size	Length	Pricing Page
CB	6"	6"	11
CB	8"	6"	11
CB	10"	6"	11
CB	12"	6"	11
CB	14"	6"	11
CB	16"	6"	11





Model LS / Stainless Steel Flex Clamp

- › Construction: Stainless Steel
- › Flexible duct bands

CFM Part Number	Max Flex Size	Clamp Min	Diameter Max	Pricing Page
LS-188	6" through 10"	4.00"	12.00"	11
LS-248	12" through 14"	10.00"	16.00"	11
(2) LS-188	16"	6.00"	24.00"	11



Model 1M / Class 1 Acoustical Flexible Duct

- › Acoustical insulated, Metalized polyester jacket
- › 25' per box
- › ETL Class 1 air duct
- › Liner: A PE (Polyethylene) Inner Film
- › Helix: Corrosion Resistant Galvanized Steel
- › Vapor Barrier: Fire Retardant Reinforced Aluminum Material
- › Working Pressure: 10" w.g. positive / 10" w.g. negative thru 12" dia / 5" w.g. negative thru 14" & 16" dia / 1" w.g. negative thru 18" & 20" dia
- › Thermal Conductance: R-6.0 certified by Underwriters Laboratories, Inc

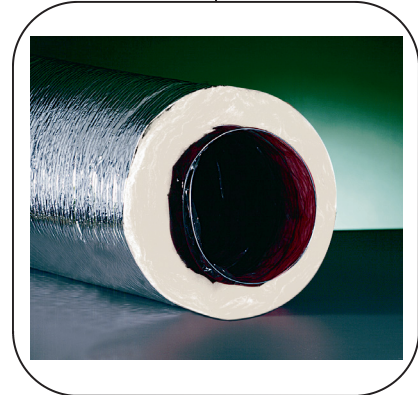
CFM Part Number	Size	Pricing Page
1M	6" dia	11
1M	8" dia	11
1M	10" dia	11
1M	12" dia	11
1M	14" dia	11
1M	16" dia	11





Model F216 / Class 1 Flexible Duct

- ▶ Insulated, Metalized polyester jacket, double-ply polyester core
- ▶ 25' per box
- ▶ Liner: Rated pressures per UL-181: 10" w.c. positive, 1/2" w.c. negative
- ▶ Vapor Barrier: Metallized vapor barrier
- ▶ Thermal Conductance: R-6.0 certified by Underwriters Laboratories, Inc



CFM Part Number	Size	Pricing Page
F216	6" dia	11
F216	8" dia	11
F216	10" dia	11
F216	12" dia	11
F216	14" dia	11
F216	16" dia	11

CFM Company can help with your Fabric Duct needs...Contact your Salesperson for further information!

SkeleCore™
INTERNAL FRAMEWORK SYSTEM

The Next Generation of Textile Duct

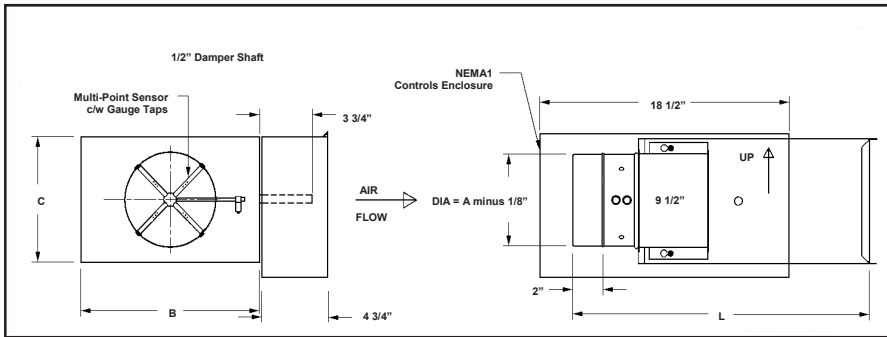
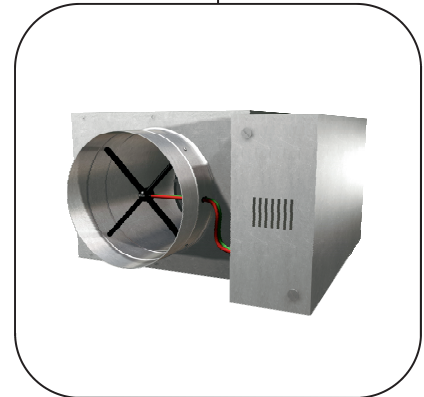
DUCTSOX®
Textile Air Dispersion Products



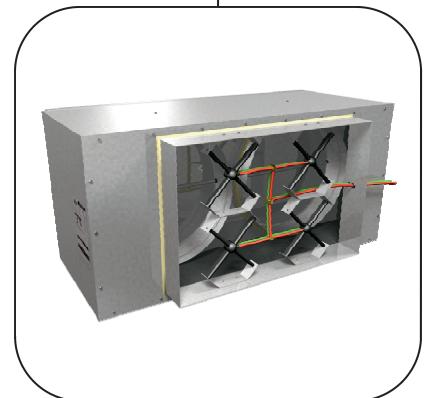
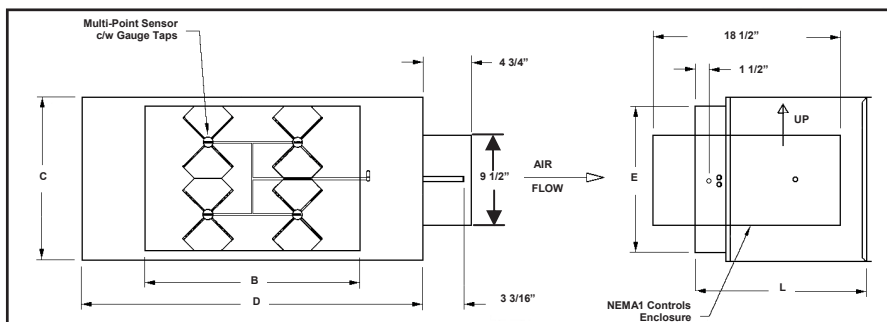
Model SDV5 / Single Duct VAV Terminal Unit

- ▶ 3/4" Fiber Free Liner - No Fiberglass in the Airstream
- ▶ Empty Control Enclosure
- ▶ AHRI Certified
- ▶ **Controls NOT included.**

CFM Part Number	Inlet Size	CFM Range	B	C	A	L	Pricing Page
SDV5	6"	0 - 450	12"	8"	6"	20-1/8"	12
SDV5	8"	0 - 800	12"	10"	8"	20-1/8"	12
SDV5	10"	0 - 1,350	14"	12-1/2"	10"	20-1/8"	12
SDV5	12"	0 - 2,100	16"	15"	12"	20-1/8"	12
SDV5	14"	0 - 3,000	20"	17-1/2"	14"	23-5/8"	12
SDV5	16"	0 - 4,000	24"	18"	16"	23-5/8"	12



CFM Part Number	Inlet Size	CFM Range	B	C	D	E	L	Pricing Page
SDV5	24" x 16"	0 - 8,000	23 7/8"	18"	38"	15 7/8"	19"	12

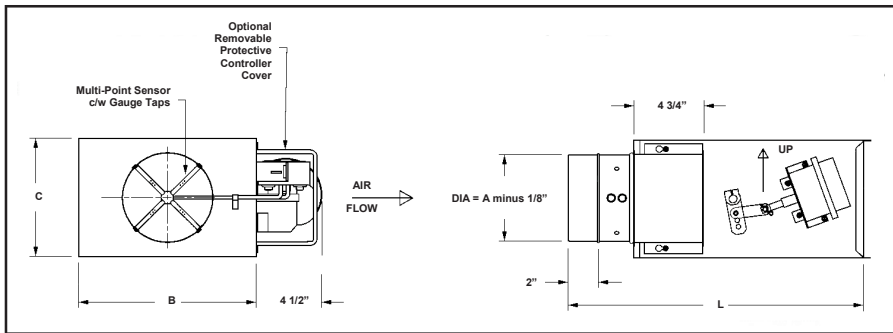
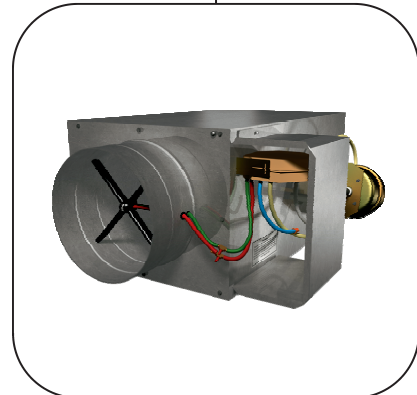




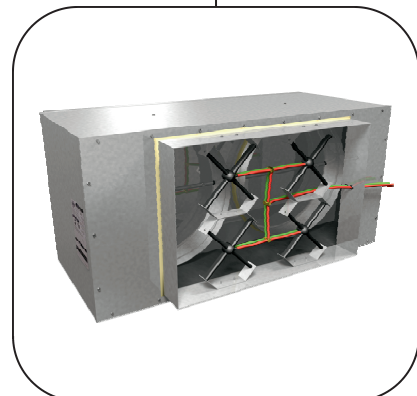
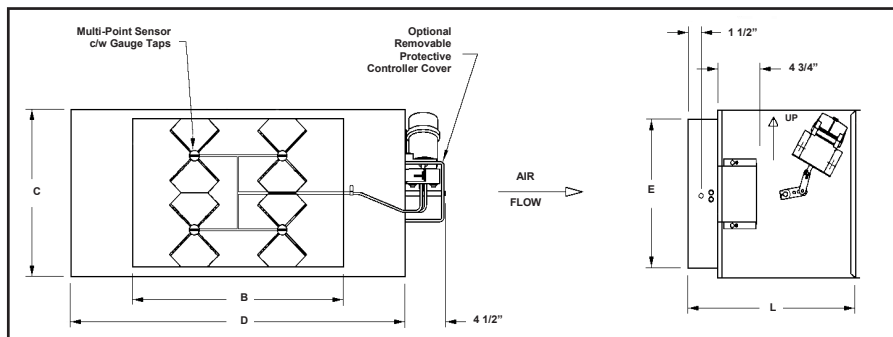
Model SPV8 / Pneumatic Control Terminal Unit

- ▶ 3/4" Fiber Free Liner - No Fiberglass in the Airstream
- ▶ Pneumatic Controller and Actuator Installed
- ▶ AHRI Certified
- ▶ **Pneumatic Thermostat BY OTHERS**

CFM Part Number	Inlet Size	CFM Range	B	C	A	L	Pricing Page
SPV8	6"	0 - 450	12"	8"	6"	20-1/8"	12
SPV8	8"	0 - 800	12"	10"	8"	20-1/8"	12
SPV8	10"	0 - 1,350	14"	12-1/2"	10"	20-1/8"	12
SPV8	12"	0 - 2,100	16"	15"	12"	20-1/8"	12
SPV8	14"	0 - 3,000	20"	17-1/2"	14"	23-5/8"	12
SPV8	16"	0 - 4,000	24"	18"	16"	23-5/8"	12



CFM Part Number	Inlet Size	CFM Range	B	C	D	E	L	Pricing Page
SPV8	24" x 16"	0 - 8,000	23 7/8"	18"	38"	15 7/8"	19"	12



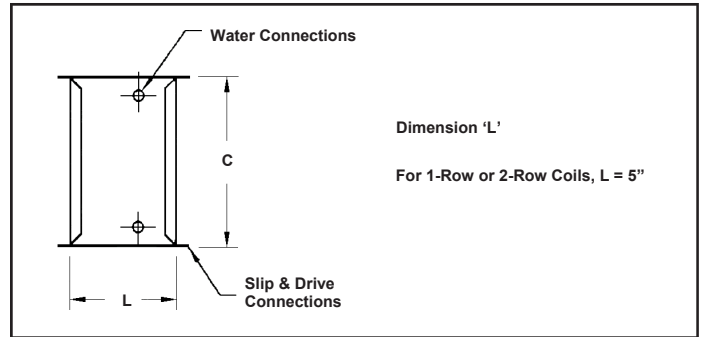
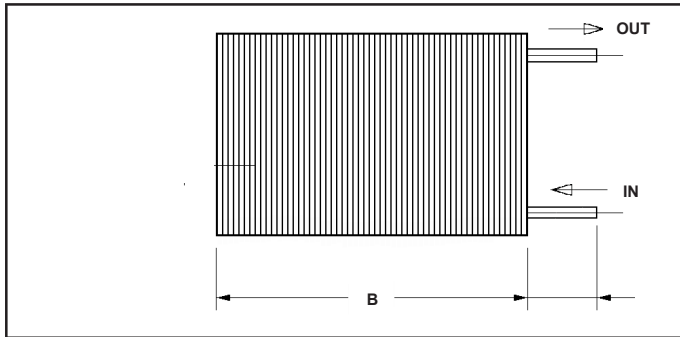


Model WC / Hot Water Coil

► Construction: Galvanized Frame, Aluminum Fins, Copper Tubes.



CFM Part Number	Nominal Size	B	C	Coil Connection		Pricing Page
				1 Row	2 Row	
WC	6"	12	8	1/2	7/8	12
WC	8"	12	10	1/2	7/8	12
WC	10"	14	12 1/2	7/8	7/8	12
WC	12"	16	15	7/8	7/8	12
WC	14"	20	17 1/2	7/8	7/8	12
WC	16"	24	18	7/8	7/8	12
WC	24" x 16"	38	18	7/8	7/8	12



Replacement Parts

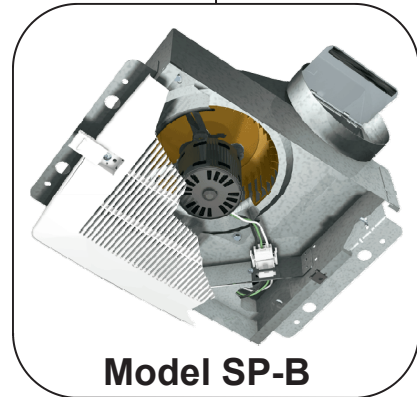
CFM Part Number	Description	Pricing Page
D-enclosure	Control Enclosure for SDV	12
P-SP300	6"-16" Cross Flow Sensor	12
P-actuator	5 - 10psi Pneumatic Actuator for VAV Boxes	12
Cntrlr-PNU	Pneumatic Controller	12





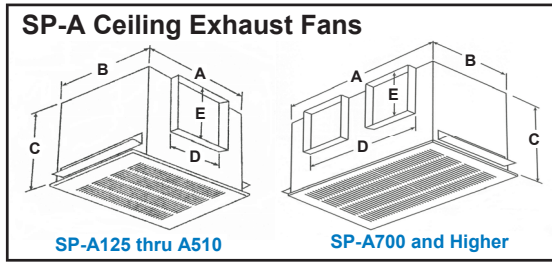
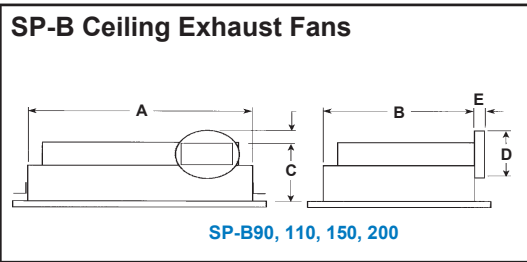
Model SP / Ceiling Exhaust Fan

- ▶ Ceiling exhaust fans are designed for clean air applications where low sound levels are desired. Low sound levels are achieved through quiet running forward curved wheels. Lower CFM levels are attainable with the use of an optional solid state speed controller (FSC). All ceiling fans are 115v/1Ø.
- ▶ Optional Solid State Speed Controller available - page 24

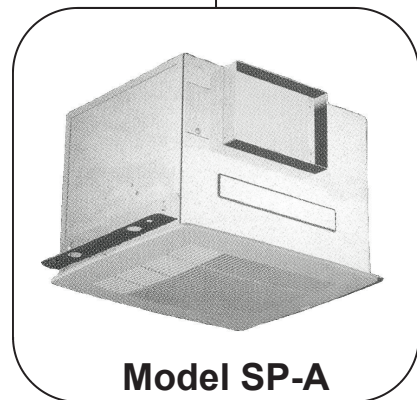


Model SP-B

CFM Part Number	CFM @ 0.10"	Sones	A	B	C	Outlet		Pricing Page
						D	E	
SP-B80	80	2.0	13-7/8"	11-1/2"	7"	6"	1-1/4"	13
SP-B90	89	2.0	13-7/8"	11-1/2"	7"	6"	1-1/4"	13
SP-B110	114	1.5	13-7/8"	11-1/2"	7"	6"	1-1/4"	13
SP-B150	156	2.5	13-7/8"	11-1/2"	7"	6"	1-1/4"	13
SP-B200	195	4.0	13-7/8"	11-1/2"	7"	6"	1-1/4"	13



CFM Part Number	CFM @ 0.10"	Sones	A	B	C	Outlet		Pricing Page
						D	E	
SP-A125	123	1.2	13-1/4"	10-5/8"	9"	8"	6"	13
SP-A190	197	2.5	13-1/4"	10-5/8"	9"	8"	6"	13
SP-A250	251	2.5	14"	11-7/8"	11-1/4"	8"	8"	13
SP-A290	293	2.5	14"	11-7/8"	11-1/4"	8"	8"	13
SP-A390	395	4.5	14"	11-7/8"	11-1/4"	8"	8"	13
SP-A410	413	3.0	18"	14-3/8"	14-1/2"	8"	8"	13
SP-A510	512	4.5	18"	14-3/8"	14-1/2"	8"	8"	13
SP-A700	730	5.0	23-5/8"	11-5/8"	11-5/8"	19-1/2"	8"	13
SP-A780	782	8.5	18"	14-3/8"	14-1/2"	10"	8"	13
SP-A900	907	5.0	23-3/4"	14-3/8"	14-1/2"	18-3/4"	8"	13
SP-A1050*	1059	6.0	23-3/4"	14-3/8"	14-1/2"	18-3/4"	8"	13
SP-A1550*	1558	10.0	23-3/4"	14-3/8"	14-1/2"	18-3/4"	8"	13



Model SP-A

Greenheck certifies that the SP models shown herein are licensed to bear the AMCA seal. The ratings shown are based on tests and procedures performed in accordance with AMCA Publication 211 and AMCA Publication 311 and comply with the requirements of the AMCA Certified Ratings Program.

GREENHECK
P.O. BOX 410 SCHOFIELD, WISCONSIN 54476-0410
PH. 715-389-6171
www.greenheck.com

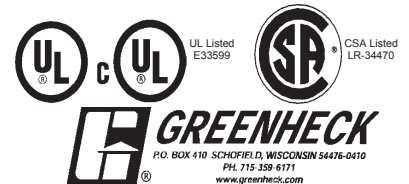
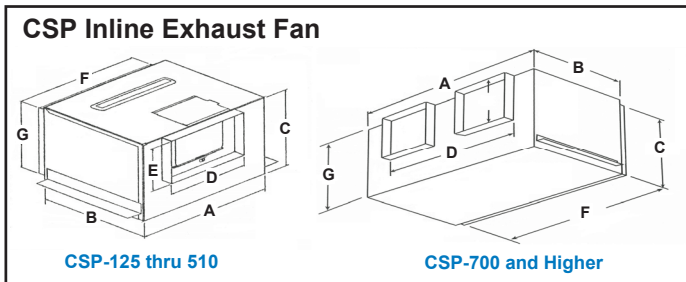


Model CSP / Inline Exhaust Fan

- ▶ Inline adaptor plates are sold as an accessory with our SP-A Series Fans to be field converted to inline configuration.
- ▶ Optional Solid State Speed Controller available - page 24



CFM Part	CFM @	Sones @ 0.0"	A	B	C	D	E	F	G	Pricing Page
CSP-A125	126	1.1	13-1/4"	10-5/8"	9"	8"	6"	12"	9-1/4"	13
CSP-A190	202	1.5	13-1/4"	10-5/8"	9"	8"	6"	12"	9-1/4"	13
CSP-A250	246	1.0	14"	11-3/8"	11-1/4"	8"	8"	12-3/8"	10"	13
CSP-A290	299	1.2	14"	11-3/8"	11-1/4"	8"	8"	12-3/8"	10"	13
CSP-A390	400	2.0	14"	11-3/8"	11-1/4"	8"	8"	12-3/8"	10"	13
CSP-A410	441	1.5	18"	14-3/8"	14-1/2"	8"	8"	16-3/8"	13-1/4"	13
CSP-A510	514	2.0	18"	14-3/8"	14-1/2"	8"	8"	16-3/8"	13-1/4"	13
CSP-A700	755	2.0	23-5/8"	11-5/8"	11-5/8"	19-1/2"	8"	22-5/8"	10-1/2"	13
CSP-A780	784	3.0	18"	14-3/8"	14-1/2"	10"	8"	16-3/8"	13-1/4"	13
CSP-A900	852	1.4	23-3/4"	14-3/8"	14-1/2"	18-3/4"	8"	22-5/8"	13-1/4"	13
CSP-A1050	1110	2.5	23-3/4"	14-3/8"	14-1/2"	18-3/4"	8"	22-5/8"	13-1/4"	13
CSP-A1550	1618	4.5	23-3/4"	14-3/8"	14-1/2"	18-3/4"	8"	22-5/8"	13-1/4"	13



AMCA CERTIFIED RATINGS
 GREENHECK certifies that the CSP models shown herein are licensed to bear the AMCA seal. The ratings shown are based on tests and procedures performed in accordance with AMCA Publication 211 and AMCA Publication 311 and comply with the requirements of the AMCA Certified Ratings Program.

Greenheck Fan Corporation's CAPS Program
 (Computer Aided Product Selection)
 is available to assist you with your project selections.

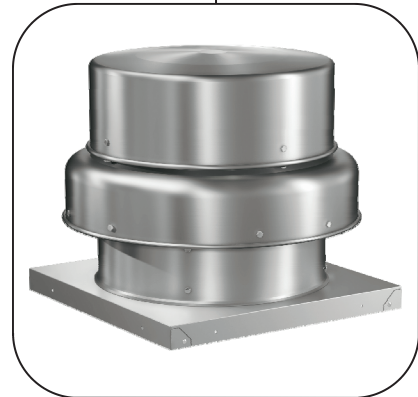
Please talk to your CFM Sales Person to get your copy today!

GREENHECK'S CAPS Program
 COMPUTER-AIDED PRODUCT SELECTION AND DESIGN SOFTWARE

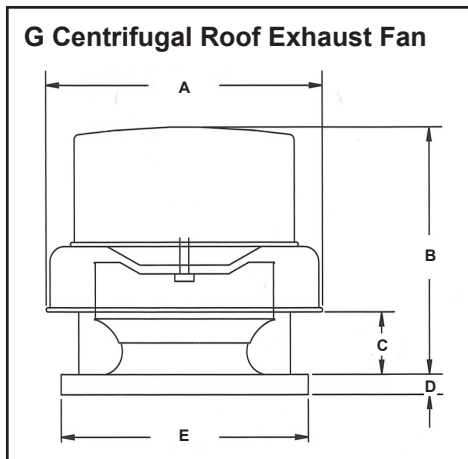


Model G / Centrifugal Roof Exhaust Fan

- ▶ Vari-Green ECM Motor with motor mounted dial
- ▶ Optional Gravity Backdraft Damper - page 27
- ▶ Optional Roof Curb available - page 24



CFM Part Number	CFM	A	B	C	D	E	Static Pressure	Pricing Page
G-095-VG	600	21-3/4"	14-5/8"	4"	1-3/4"	17"	.375"	14
G-123-VG	1,250	24-3/8"	23-3/4"	4-3/8"	1-3/4"	19"	.375"	14
G-143-VG	2,200	28-3/8"	23-3/4"	4"	1-3/4"	22"	.375"	14



AIRTOUR Learning Center
Driving Ventilation Knowledge™

Make sure that we have you on the list for the next time that the AirTour Truck is in town!

VARI GREEN Motor
THE FUTURE OF AIR MOVEMENT

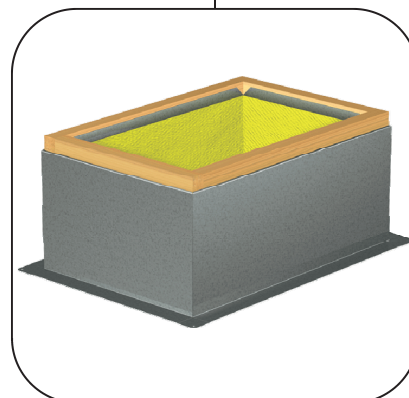
Greenheck's new electronically commutated (EC) Vari-Green (VG) motor combines motor technology, controllability and energy-efficiency into one single low maintenance unit and is the industry's first fully controllable motor.



Model GPI / Roof Curb

- ▶ Construction: 18ga Galvanized Steel
- ▶ Lined with 1" - 3.0# density insulation
- ▶ Wood nailer secured to top ledge of curb
- ▶ 14" High Insulated Flat Roof Curb w/ Damper Tray

CFM Part Number	Description	Pricing Page
GPI-17	15-½" x 15-½" O.D. / 10x10 damper tray	14
GPI-19	17-½" x 17-½" O.D. / 12x12 damper tray	14
GPI-22	20-½" x 20-½" O.D. / 16x16 damper tray	14
GPI-26	24-½" x 24-½" O.D. / 16x16 damper tray	14
GPI-30	28-½" x 28-½" O.D. / 18x18 damper tray	14
GPI-34	32-½" x 32-½" O.D. / 24x24 damper tray	14
GPI-40	38-½" x 38-½" O.D. / 30x30 damper tray	14



Fan Accessories

CFM Part Number	Description	Pricing Page
WC-6	Wall Cap	13
FSC-5	5 Amp Solid State Speed Controller	13
FSC-10	10 Amp Solid State Speed Controller	13
VI-KIT	Rubber Isolation Kit	13
TSTAT	Robert Shaw #803A Line Voltage Thermostat - 25amp 120/240 VAC	13

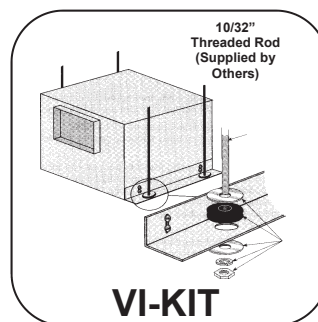
Kitchen Ventilation Systems

- Exhaust Hoods & Grease Extraction
- Fire Suppression Systems
- Accessories

GREENHECK
Building Value in Air.

BUILDING VALUE IN AIR.

Greenheck carries a full line of kitchen ventilation products including Hoods, MUA, Fans and VAV control





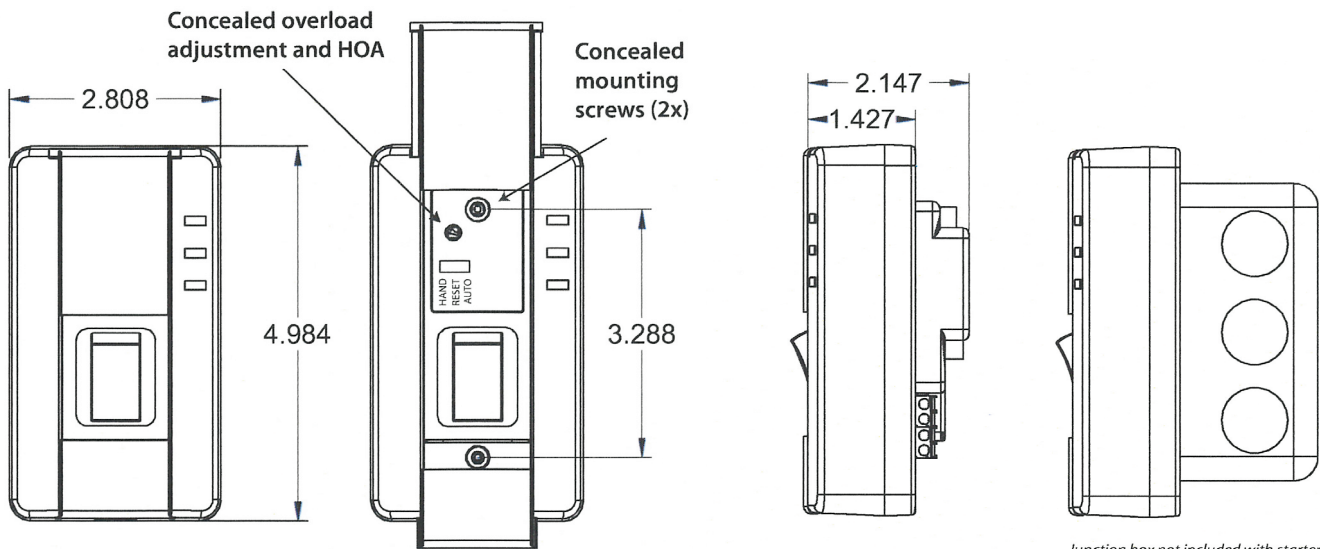
CERUS™
We Respond.

Model BAS-1P / Magnetic Starter

- ▶ 1Ø, 100~240VAC, 0.1-1HP
- ▶ On/Off Disconnect Switch with Recessed Hand/Auto Modes
- ▶ Run Status Verification
- ▶ Voltage & Dry Inputs for Auto Run Command
- ▶ System Override Mode (Fireman's, Occupancy or Manual)
- ▶ Wide Range Class 10 Electronic Overload
- ▶ Standard Single Gang Box Installation
- ▶ High Reliability



CFM Part Number	Description	Pricing Page
BAS-1P	Single Phase Magnetic Starter	13



HVAC

Cerus responds with intelligent motor controls to optimize building performance, reduce energy consumption, and enhance LEED compliance.



We Respond.



Model FSD-212 / Combination Fire/Smoke Damper

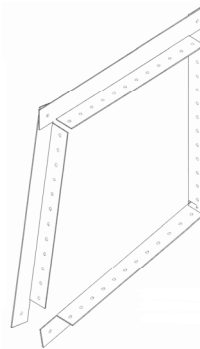
- ▶ Construction: Galvanized Steel / 20ga Galvanized Steel Sleeve
- ▶ With 120v Belimo Electric Actuator and Sleeve
- ▶ Power Open / Fail Closed
- ▶ 1.5 hour Fire Rating / Class II Leakage Rating / Triple Vee blades

CFM Part Number	Module Size	Width	Height	Length	Pricing Page
FSD-212	8" x 8"	8"	8"	21"	10
FSD-212	10" x 10"	10"	10"	21"	10
FSD-212	12" x 12"	12"	12"	16"	10
FSD-212	14" x 14"	14"	14"	16"	10
FSD-212	16" x 16"	16"	16"	16"	10
FSD-212	18" x 18"	18"	18"	16"	10
FSD-212	24" x 12"	24"	12"	16"	10

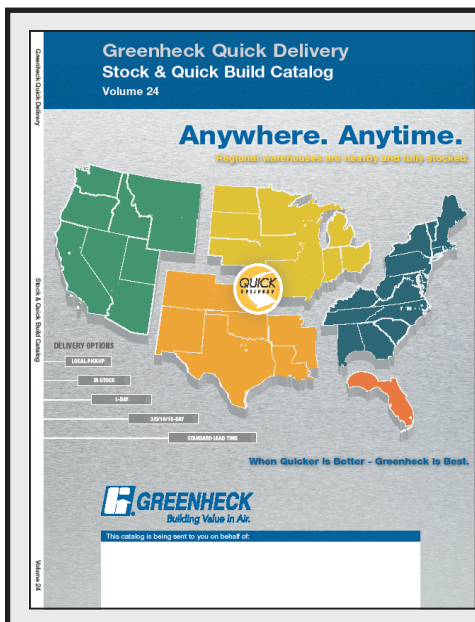


For the latest U.L. Listed installation instructions, contact CFM Company or visit www.greenheck.com

- ▶ (2) Retaining Angles are included with each Fire/Smoke Damper for ease of installation
- ▶ Construction: Galvanized Steel
- ▶ 1-1/2 in x 1-1/2 in for sizes up to 48"
- ▶ For Fire dampers and Combination Fire/Smoke dampers
- ▶ Meets requirements of UL 555 and UL 555S



120V BELIMO
ELECTRIC ACTUATOR



Greenheck Offers QUICK DELIVERY of Stock and Quick Build products for those moments when time is not on our side

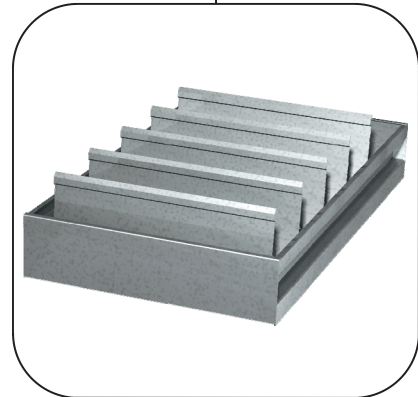
Check out their website www.greenheck.com for further information or contact your CFM Sales Rep



Model WD-100 / Backdraft Damper

- Construction: 18ga Galvanized Steel Frame
- .025" Aluminum Blades with Vinyl Edge Seals

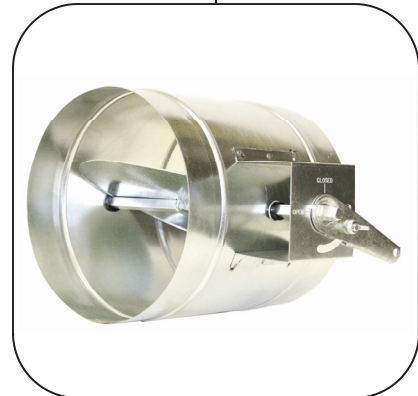
CFM Part Number	Diameter	Pricing Page	CFM Part Number	Diameter	Pricing Page
WD-100	8" x 8"	14	WD-100	16" x 16"	14
WD-100	10" x 10"	14	WD-100	18" x 18"	14
WD-100	12" x 12"	14	WD-100	24" x 24"	14



Model SLD-BO3 / Round Manual Balancing Damper

- Construction: 20ga Galvanized Steel Frame and Blade
- Manual Locking Quadrant w/ 2" Standoff Bracket

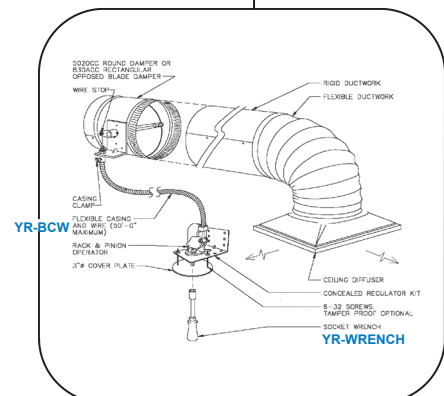
CFM Part Number	Diameter	Pricing Page	CFM Part Number	Diameter	Pricing Page
SLD-BO3	6"	10	SLD-BO3	12"	10
SLD-BO3	8"	10	SLD-BO3	14"	10
SLD-BO3	10"	10	SLD-BO3	16"	10



Bowden Cable Controls for Remote Damper

- Construction: Galvanized Steel

CFM Part Number	Description	Pricing Page
YR-270-301-EZ-B	Remote kit for 3/8" and 1/2" damper shafts	10
YR-270-301-EZ-B-1/4	Remote kit for spin-in damper shafts	10
YR-WRENCH	Control wrench	10
YR-BCW	Flexible casing and wire	10





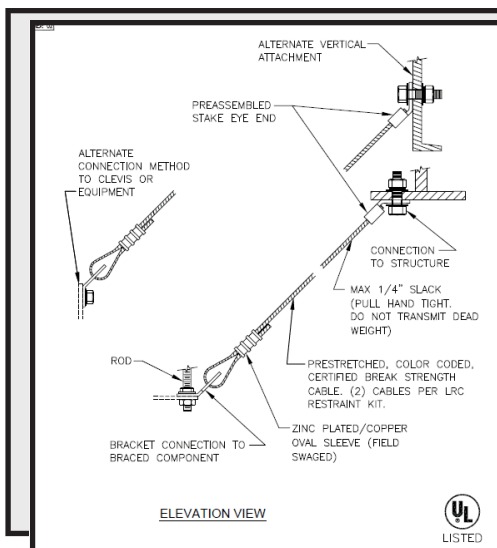
Model CALE / Aluminum Housed Isolator

- Base Mounted Aluminum Housed Spring (1" Deflection)
- Load Range: 50 thru 1,360 lbs

CFM Part Number	T1C Spring Color	Rated Load	Rated Deflection	Pricing Page
CALE-1C-50	BLUE	50 lb	1.00"	15
CALE-1C-100	TAN	100 lb	1.00"	15
CALE-1C-150	RED	150 lb	1.00"	15
CALE-1C-250	BLACK	250 lb	0.83"	15
CALE-1C-300	DK YELLOW	300 lb	0.75"	15
CALE-1C-370	YELLOW	370 lb	0.75"	15
CALE-1C-520N	YLW w/GRN inner spring	520 lb	0.75"	15



CFM Part Number	T1D Spring Color	Rated Load	Rated Deflection	Pricing Page
CALE-1D-85	LT PURPLE	85 lb	1.35"	15
CALE-1D-120	DK YELLOW	120 lb	1.20"	15
CALE-1D-175	DK BLUE	175 lb	1.17"	15
CALE-1D-250	YELLOW	250 lb	1.40"	15
CALE-1D-340	RED	340 lb	1.13"	15
CALE-1D-510	BLACK	510 lb	1.02"	15
CALE-1D-675	DK PURPLE	675 lb	1.32"	15
CALE-1D-900	DK GREEN	900 lb	1.02"	15
CALE-1D-1200	GRAY	1200 lb	0.90"	15
CALE-1D-1360	WHITE	1360 lb	0.77"	15



Seismic Selections with The VMC Group

You've got Questions ~
We've got answers! Call TODAY!!





Model A / Open Spring Isolator

- ▶ Base Mounted Open Spring (1" Deflection)
- ▶ Load Range: 50 thru 1,400 lbs

CFM Part Number	T1C Spring Color	Rated Load	Rated Deflection	Pricing Page
A-1C-50	BLUE	50 lb	1.0"	15
A-1C-100	TAN	100 lb	1.0"	15
A-1C-150	RED	150 lb	1.0"	15
A-1C-250	BLACK	250 lb	.83"	15
A-1C-300	DK YELLOW	300 lb	.75"	15
A-1C-370	YELLOW	370 lb	.75"	15



CFM Part Number	T1E Spring Color	Rated Load	Rated Deflection	Pricing Page
A-1E-195	DK BLUE	195 lb	1.95"	15
A-1E-400	BLACK	400 lb	1.32"	15
A-1E-650	RED	650 lb	1.05"	15
A-1E-1000	TAN	1000 lb	1.0"	15
A-1E-1400	PINK	1400 lb	1.0"	15

SPRING CURB P6100 - 1" DEFLECTION / SPRING CURB P6200 - 2" DEFLECTION

Upper frame supports equipment while "floating" on spring isolators.

Factory installed top flashing ensures a weather-tight installation.

Seismic hold down ensures equipment is positively attached to curb.

Curb can be manufactured to any height by increasing spring stanchion height.

Duct supports installed to match manufacturers dimensions.

Spring pockets are fully adjustable and offer 1" deflection (P6100) or 2" deflection (P6200). All pockets are seismically rated to ensure equipment captivity.

Expanded metal provides backing and attachment location for 2" thick insulation. (Insulation by others)

**Spring Vibration Isolation Curbs
Are Available from the Factory
Contact Us TODAY!**



Model HSA / Spring Hanging Isolator

- ▶ Hanging Spring (Nominal 1" static Deflection with 30° Misalignment)
- ▶ Load Range: 20 thru 2,000 lbs

CFM Part Number	T1B Spring Color	Rated Load	Rated Deflection	Pricing Page
HSA-1B-20	DK BLUE	20 lb	1.25"	16
HSA-1B-35	BLACK	35 lb	1.17"	16
HSA-1B-50	RED	50 lb	1.11"	16
HSA-1B-70	DK GREEN	70 lb	.88"	16
HSA-1B-85	GRAY	85 lb	.81"	16



CFM Part Number	T1C Spring Color	Rated Load	Rated Deflection	Pricing Page
HSA-1C-50	BLUE	50 lb	1.0"	16
HSA-1C-100	TAN	100 lb	1.0"	16
HSA-1C-150	RED	150 lb	1.0"	16
HSA-1C-250	BLACK	250 lb	.83"	16
HSA-1C-300	DK YELLOW	300 lb	.75"	16
HSA-1C-370	YELLOW	370 lb	.75"	16

CFM Part Number	T1E Spring Color	Rated Load	Rated Deflection	Pricing Page
HSA-1E-195	DK BLUE	195 lb	1.95"	16
HSA-1E-400	BLACK	400 lb	1.32"	16
HSA-1E-650	RED	650 lb	1.05"	16
HSA-1E-1000	TAN	1000 lb	1.00"	16
HSA-1E-1400	PINK	1400 lb	1.00"	16
HSA-1E-2000	WHITE	2000 lb	1.11"	16



Model HRSA / Hanging S&R Isolator

- ▶ Hanging Spring and Rubber Isolator (1.5" Deflection with 30° Misalignment)
- ▶ Load Range: 20 thru 2,000 lbs

CFM Part Number	T1B Spring Color	Rated Load	Rated Deflection	Pricing Page
HRSA-1B-20	DK BLUE / BLUE	20 lb	1.48"	17
HRSA-1B-35	BLACK / BLUE	35 lb	1.57"	17
HRSA-1B-50	RED / RED	50 lb	1.38"	17
HRSA-1B-70	DK GREEN / RED	70 lb	1.25"	17
HRSA-1B-85	GRAY / GREEN	85 lb	1.09"	17

CFM Part Number	T1C Spring Color	Rated Load	Rated Deflection	Pricing Page
HRSA-1C-50	BLUE / BLACK	50 lb	1.15"	17
HRSA-1C-100	TAN / BLACK	100 lb	1.29"	17
HRSA-1C-150	RED / BLACK	150 lb	1.44"	17
HRSA-1C-250	BLACK / GREEN	250 lb	1.16"	17
HRSA-1C-300	DK YELLOW / GREEN	300 lb	1.14"	17
HRSA-1C-370	YELLOW / GREEN	370 lb	1.24"	17

CFM Part Number	T1E Spring Color	Rated Load	Rated Deflection	Pricing Page
HRSA-1E-195	DK BLUE / BLACK	195 lb	2.21"	17
HRSA-1E-400	BLACK / RED	400 lb	1.70"	17
HRSA-1E-650	RED / GREEN	650 lb	1.44"	17
HRSA-1E-1000	TAN / GRAY	1000 lb	1.47"	17
HRSA-1E-1400	PINK / BLUE	1400 lb	1.35"	17
HRSA-1E-2000	WHITE / BLUE	2000 lb	1.61"	17



**NOTE: 1-1/2" DEFLECTION INCLUDES
1" SPRING DEFLECTION AND
1/2" RUBBER DEFLECTION**



Model RVD / Base Mounted RIS Isolator

CFM Part Number	Max Load	Deflection	Pricing Page
RVD-1-A	45 lb	0.38"	17
RVD-1-B	110 lb	0.38"	17
RVD-1-C	210 lb	0.38"	17
RVD-1-D	340 lb	0.38"	17
RVD-2-A	130 lb	0.43"	17
RVD-2-B	230 lb	0.43"	17
RVD-2-C	380 lb	0.43"	17
RVD-2-D	700 lb	0.43"	17



Model HR-A & HR-B / Hanging RIS Isolator

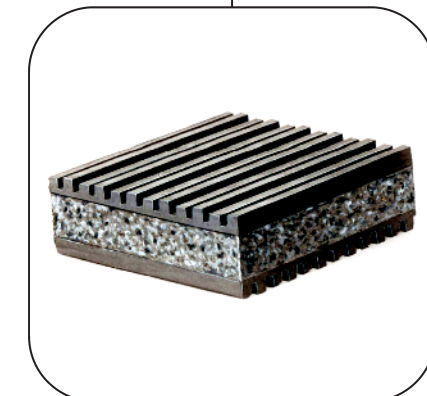
CFM Part Number	Spring Color	Max Load	Deflection	Pricing Page
HR-A-35	BLUE	35 lb	0.40	18
HR-A-45	BLACK	45 lb	0.40	18
HR-A-75	RED	75 lb	0.40	18
HR-A-120	GREEN	120 lb	0.40	18
HR-B-170	BLACK	170 lb	0.50	18
HR-B-240	RED	240 lb	0.50	18
HR-B-380	GREEN	380 lb	0.50	18
HR-B-550	GRAY	550 lb	0.50	18



Model NRC / Base Mounted Rubber Pad

- 1" Thick
- Max load 60 psi

CFM Part Number	Load Range	Pad Size	Pricing Page
NRC	20 thru 240 lb	2" x 2"	18
NRC	80 thru 960 lb	18" x 36"	18





>> Infrared Heating Parts & Accessories

Contact our
PARTS DEPARTMENT
for pricing
303-607-4446



BALTIMORE
AIRCOIL COMPANY

>> Cooling Tower Parts

Contact our
PARTS DEPARTMENT
for pricing
303-607-4446



>> Manual Flow Control Valves & Valve Packages

Contact your
CFM Company Salesman
for pricing
303-761-2291



ALTITUDE AND TEMPERATURE CORRECTION FACTORS

ALTITUDE	TEMPERATURE			
	STD. AIR = 0.075#/CF			
	70F°	100F°	200F°	300F°
0	1.000	0.946	0.803	0.697
1000	0.946	0.912	0.774	0.672
2000	0.930	0.880	0.747	0.648
3000	0.893	0.848	0.720	0.624
4000	0.864	0.818	0.694	0.604
5000	0.832	0.787	-0.668	0.580
6000	0.801	0.758	0.643	0.558
7000	0.772	0.730	0.620	0.538
8000	0.743	0.703	0.596	0.518
9000	0.714	0.676	0.573	0.498
10000	0.688	0.651	0.552	0.480
11000	0.663	0.628	0.532	0.463
12000	0.638	0.604	0.512	0.442

>> Note: If values are required between the values given, then use a straight-line extrapolation method.

>> To correct 2.0" of static pressure from 0' i.e. SL to 5000' ASL. ($2.0" \times 0.832 = 1.66" \text{ SP @ 5000' ALT}$)

>> To correct 2.0" of static pressure from 5000' ASL to 0' SL. ($2.0" \text{ SP} / 0.832 = 2.40" \text{ SP @ 0' i.e. SL}$)

BASIC EQUATIONS

Air Flow:	$Q = V \times A$
Pressure:	$VP = \frac{V^2}{4005 \times ADR}$
	$TP = SP + VP$
Area Factor:	$AK = \frac{Q}{VK}$
Neck Velocity:	$VN = \frac{Q}{AN}$
Core Velocity:	$VC = \frac{Q}{AC}$

Q	= Flow Rate, cfm (L/s)
V	= Velocity, fpm (m/s)
A	= Area, Ft Sq. (m Sq.)
VP	= Velocity Pressure, Inches of Water Column
ADR	= Air Density Ratio at site specific conditions (altitude/temperature)
TP	= Total Pressure, In
SP	= Static Pressure, In
AK	= Area Factor, Ft Sq (m Sq)
VK	= Face Velocity, fpm (m/s)
VN	= Neck Velocity, fpm (m/s)
AN	= Neck Area, Ft Sq (m Sq)
VC	= Core Velocity, fpm (m/s)
AC	= Core Area, Ft Sq (m Sq)

DC Circuits:	$HP = \frac{V \times A \times E}{746}$
	$E = \frac{746 \times HP}{W}$
AC Circuits: (Single Phase)	$PF = \frac{W}{V \times A}$
	$A = \frac{746 \times HP}{V \times E \times PF}$
	$E = \frac{746 \times HP}{V \times E \times PF}$
	$KW = \frac{V \times A \times PF}{1000}$
	$HP = \frac{V \times A \times E \times PF}{746}$

AC Circuits: (Three Phase)	$PF = \frac{W}{V \times A \times 1.732}$
	$E = \frac{746 \times HP}{W}$
	$A = \frac{746 \times HP}{1.732 \times V \times E \times PF}$
	$E = \frac{746 \times HP}{V \times A \times PF \times 1.732}$
	$KW = \frac{V \times A \times PF}{1000}$
	$HP = \frac{V \times A \times 1.732 \times E \times PF}{746}$

HP	= Horsepower
V	= Volt
A	= Amperes
E	= Efficiency
W	= Watts
PF	= Power Factor

Heat Transfer:	$H = 1.085 \times ADR \times Q \times DT$
-----------------------	---

H	= Heat Transferred, (BTU/hr)
ADR	= Air Density Ratio at site specific conditions (altitude/temperature)
Q	= Flow Rate, cfm
DT	= Temperature differential

CONVERSION FACTORS

	Item	To Convert from Imperial Units	To SI Units	Multiply by
Length	inches	millimeters	mm	25.4
	inches	meters	m	0.0254
	feet	meters	m	0.3048
Area	square inches	square millimeters	mm ²	645.16
	square inches	square centimeters	cm ²	6.4516
	square inches	square meters	m ²	0.00064516
	square feet	square meters	m ²	0.09290304
Volume-Air Flow	std. cubic feet per minute	cubic meters per second	m ³ /s	0.000471947
	std. cubic feet per minute	second	m ³ /h	1.699
	std. cubic feet per minute	cubic meters per hour	L/s	0.471947
		liters per second		Under 1 m ³ /s use L/s
Volume-Liquid & Liquid Flow	gallon (Can.)	liter	L	4.456090
	gallon (U.S.)	liter	L	3.785412
	gallons per minute (Can.)	liter per second	L/s	0.075768
	gallons per minute (U.S.)	liter per second	L/s	0.06309
	gallons per hour (Can.)	liter per second	L/s	0.001263
	gallons per hour (U.S.)	liter per second	L/s	0.001051
Velocity	feet per second	meters per second	m/s	0.3048
	feet per minute	meters per second	m/s	0.005080
Pressure	inches of water (60°F)	pascal (20°C)	Pa	248.84
	foot of water (39.2°F)	pascal (20°C)	Pa	2988.98
	inches of mercury (60°F)	pascal	Pa	3376.85
	lb. force per square inch (psi)	pascal	Pa	6894.757
	lb. force per square foot	pascal	Pa	48.88026
Energy	B.T.U.	joule	J	1055.056
Power	Horsepower	watt	W	746
		kilowatts	KW	0.746
Temperature	Rankin	kelvin	K	5/9
	Fahrenheit	Celsius, Centigrade	C	(F-32) (5/9)
Heat flow rate	B.T.U. per hour	watt	W	0.293071
		kilowatt	KW	0.000293071
Weight	ounce	gram	g	28.350
	pound	kilogram	kg	0.4536
Density	pounds per cubic foot	kilograms per cubic meter	kg/m ³	16.018

All metric dimensions () are soft conversion. Imperial dimensions are converted to metric and rounded to the nearest millimeter.



**CFM
SUPPLY
COMPANY**

1440 S Lipan St • Denver, CO 80223-3411
Phone: 303.761.2291 / Fax: 303.761.0325

WAREHOUSE FAX: 303.722.8437

TERMS AND CONDITIONS OF SALE

TERMS OF SALE

1. Net 30 days with approved credit.
2. Minimum order charge of \$20.00
3. CFM Supply Company NO LONGER accepts Personal Checks. Cashiers Checks ONLY.
4. CFM Supply Company accepts Mastercard or Visa.

RETURNS

1. No items may be returned for credit without prior approval from your salesman and must be accompanied by the necessary paperwork.
2. Items must be new and in original containers, subject to inspection by CFM Supply Company.
3. A 30% restocking charge will be charged to all returns.
4. All items to be returned to our warehouse, Freight Prepaid.

DELIVERY

1. Prices are F.O.B. our warehouse.
2. Charges will be added to our invoice if delivery is made by common driver (motor freight or U.P.S.) from CFM Supply Company.
3. **A \$5.00 handling charge for all U.P.S. & truck shipments will be applied.**

TAXES

1. Prices shown do not include any sales or use tax.

WARRANTIES

1. The warranties of each manufacturer of products purchased will apply, CFM Company assumes no responsibility for costs incurred in replacing parts under warranty.

