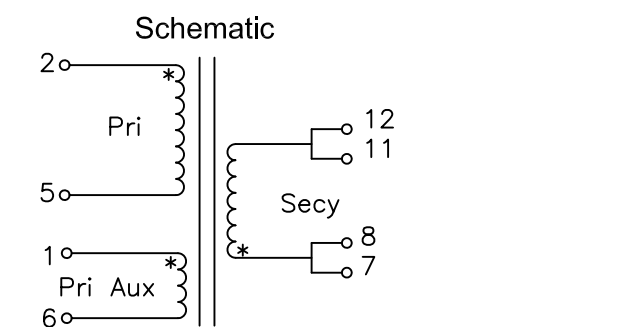
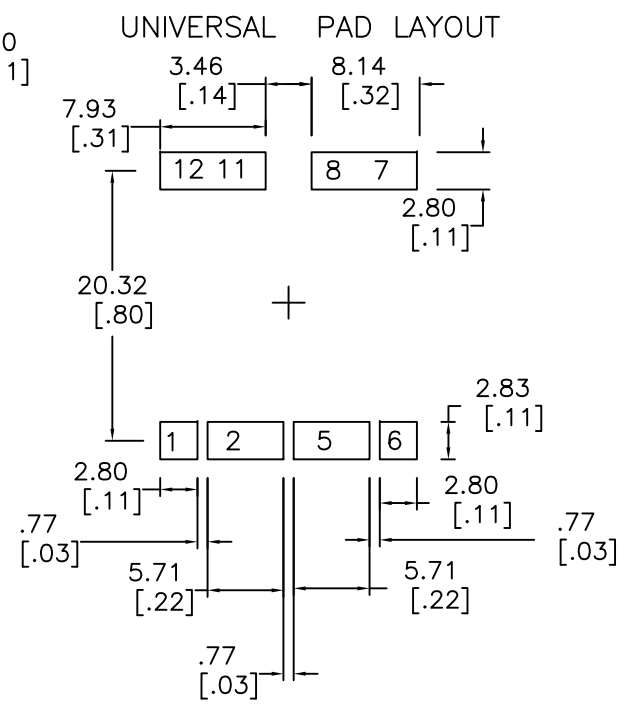


.005|.127mm
 All Surfaces

SUGGESTED PAD LAYOUT



- NOTES:
1. TURNS RATIO [7,8-11,12] : [2-5] = 0.285 +/-2% || [1-6] : [2-5] = 0.714 +/-2%
 2. DCR [2-5] = 10.5 mohm Nom., [7,8 - 11,12]= 1.0 mohm Nom., [1-6]= 30 mohm Max
 3. Inductance [2-5]= 150 uH Nom, 110 Min at 10KHz, 0.1 VRMS @ 25C
 4. Leakage Inductance [2-5] Short [7,8-11,12] = 40 nH Nom, 100 nH Max @100 KHz
 5. Dielectric Strength [2-5] to [7-11] 1750 VDC | [1-6] to [2-5] 500Vrms 60 Hz [1-6],[2-5] to CORE 1750 VDC, [7-11] to CORE 500 VDC
 6. Capacitance [2:7] = 550 pF Nom, 650 Max
 7. Weight 16.8 grams Nom | RoHS Level 6/6 Compliant | Pin Composition Sn/Ag 96/4
 8. Operating Temperature -55C to +130C [Inclusive of Temp Rise]

- ORDERING INFORMATION:
1. Order Per Part # G45R2-0702-05. Parts ship in trays unless otherwise specified.
 2. For Tape & Reel packaging append "R" to PN, e.g. G45R2-0702-05-R. Tape & Reel packaging is in accordance with Champs Dwg T40-4600014.
 3. Std 180 parts per reel | 40 parts per tray.

No.	DESCRIPTION	REVISIONS	DATE	APPR
CHAMPS TECHNOLOGIES				
THIRD ANGLE PROJECTION				
TOLERANCES +/- 1.0 UNLESS OTHERWISE INDICATED				
DRAWN	SIGN	DATE	Champs No. G45R2 0702-05	
CHKD			Customer	ISSUE
APPR	HE	7/24/09	Part #:	REV
			SIZE	SCALE 2:1
				A 00