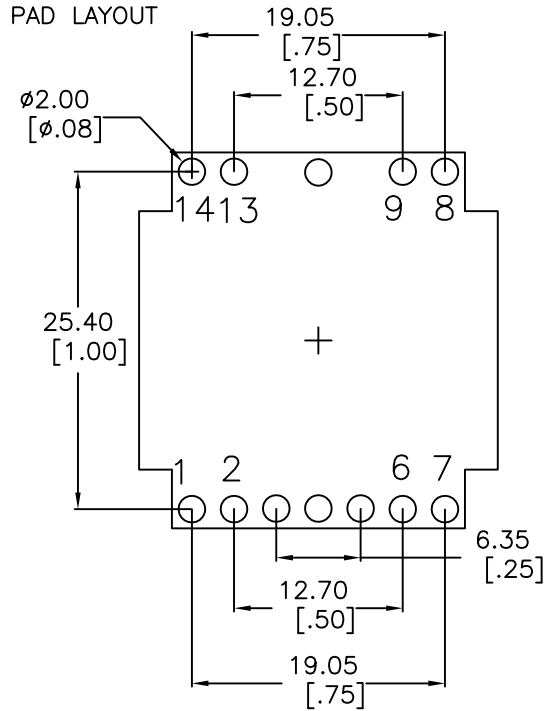


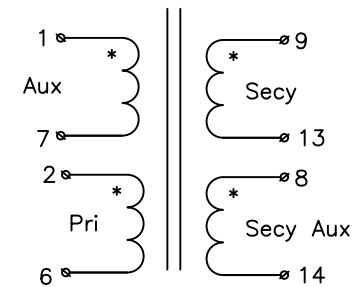
SUGGESTED PAD LAYOUT



Electrical Information:

1. TURNS RATIO [2-6] : [9-13] 0.25 +/-2% || [8-14] : [9-13] = 0.188 +/-2%
2. INDUCTANCE [2-6] = 95 uH Nom @100kHz/1.0V
3. LEAKAGE INDUCTANCE [2-6] : SHORT 9-13 = 45 nH Nom @100kHz
4. DCR [2-6] = 4.6 mohms Nom, DCR [9-13] = 76 mohms Nom, DCR [8-14] = 300 mohm max
5. CAPACITANCE 2,6 to 9,13 = 130 pF Nom, 180 Max@100kHz
6. DIELECTRIC ISOLATION: [2,6]: [9,13][8,14] > 1500 VDC
DIELECTRIC ISOLATION: [9,13][8,14] : CORE > 500 Vdc
7. RoHS Level 6/6 Compliant | Pins 96/4 Sn/Ag Plating
8. Operating Temp Range -55C to +130C [Inclusive of Application Temp Rise]
9. Storage Temp Range -55C to +130C [Materials rated to +170C]

Schematic



No.	DESCRIPTION	REVISIONS	DATE	APPR
THIRD ANGLE PROJECTION				
CHAMPS TECHNOLOGIES				
DRAWN		SIGN	DATE	Champs No. P26R6-0416-S03
CHKD		PH	05.20.15	Customer
APPR		DT		Part #: ISSUE A REV 00
TOLERANCES UNLESS OTHERWISE INDICATED			SIZE	SCALE 2:1
.XXX ± .25	.XX ± .51	.X	ANGLE ±	