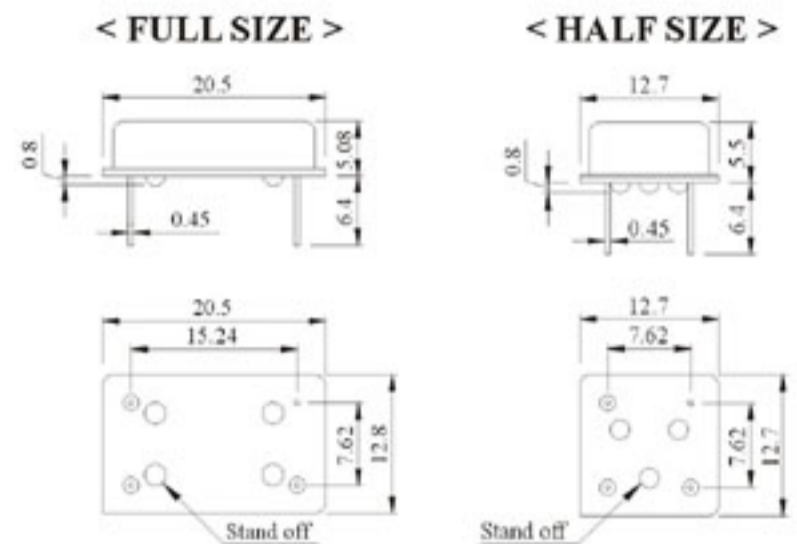


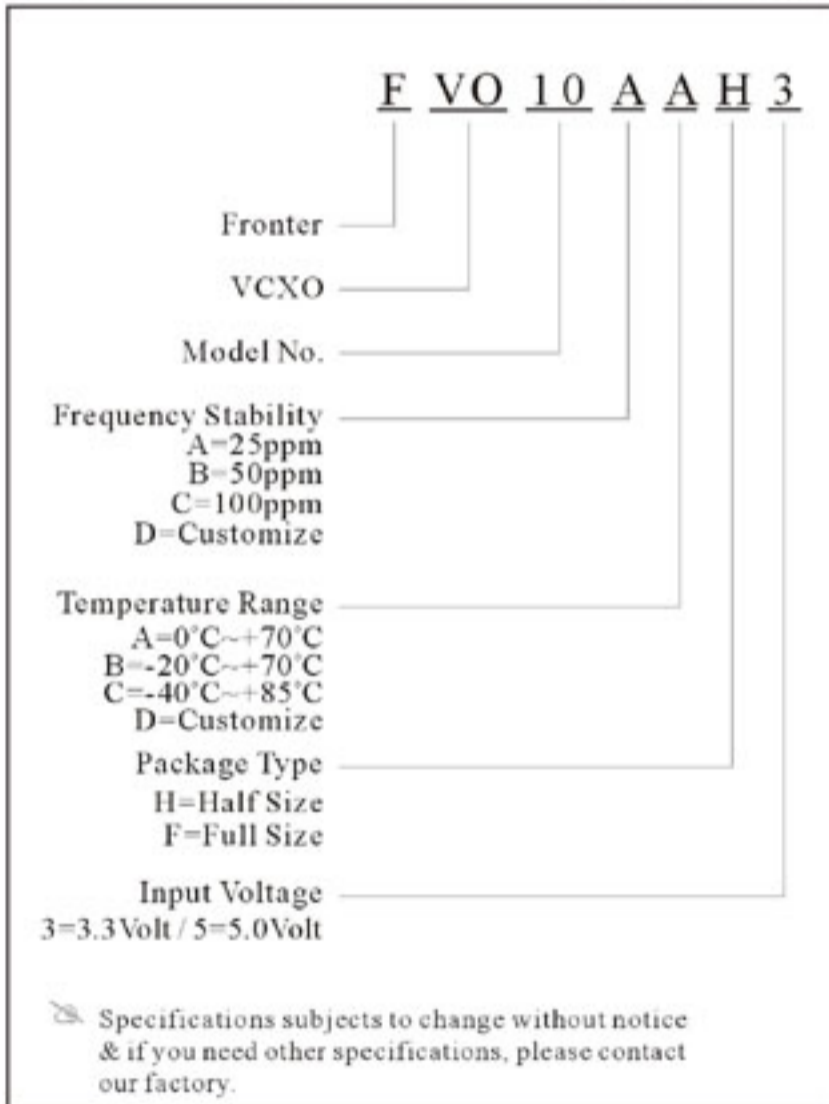
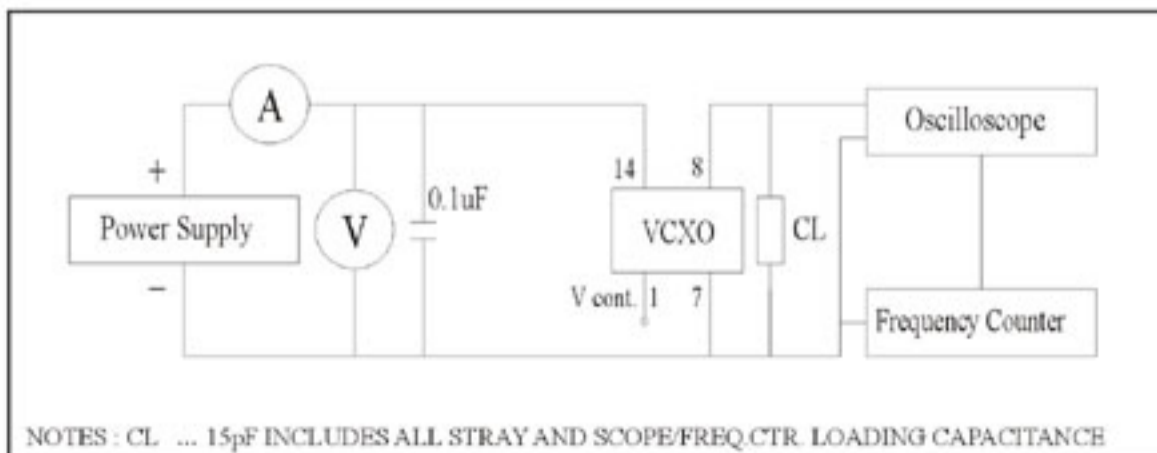
**Voltage Controlled Crystal Oscillator (VCXO)**
**电压控制晶体振荡器**
**LOW FREQUENCY VCXO**

- High speed CMOS
- High reliability and precision
- Set top box
- ADSL Modem


**DIMENSIONS(Unit:mm) 外形尺寸**

**PARAMETERS 技术参数 ( FVO 10 Series)**

ELECTRICAL SPECIFICATIONS		
Frequency Range 频率范围	1.000MHz to 35.999MHz	
Frequency Stability 频率稳定度	±25ppm	±50ppm
	±100ppm (Standard)	
Inclusive of operating temperature range		
Operating Temperature Range	0°C~+70°C	
Storage Temperature Range	-40°C~+85°C	
Input Voltage 输入电压	+5Vdc ±0.5V	+3.3Vdc ±0.3V
Input Current 输入电流	30mA max.	20mA max.
0/1 Level 0/1 电平	+0.5V max./+4.5V min.	+0.4V max./+3.0V min.
Pull Ability 压控范围	±100ppm min. (Typical)	±100ppm min. (Typical)
	(At 2.5Volt 2V)	
Linearity 线性度	±10% max. (Typical)	±10% max. (Typical)
	(At 1.65Volts 1.35V)	
Symmetry 占空比	60/40% or 40/60% (Typical)	
Rise & Fall time 上升时间/下降时间	10nS max.	
Start up time 起振时间	10mS max.	
Fan out 输出负载	15pF//10TTL	
Aging (at 25 °C ) 老化率	±5ppm / Year max.	

ENVIRONMENTAL & MECHANICAL SPECIFICATIONS	
Shock 抗冲击性能	FIL-STD-883C, Method 2002, Condition B
Vibration 抗振性能	FIL-STD-883C, Method 2007, Condition A
Solderability 焊接性能	FIL-STD-883C, Method 2003
Seal Integrity 密封性能	FIL-STD-883C, Method 1014, Condition C & A2
Marking 标记	FIL-STD-883C, Method 215

**PART NUMBER GUIDE 部件号示例**

**TEST CIRCUIT 测试原理图**

**WAVE FORM 波形图**
