



Ukrain



HH15-QA/QP Switch Disconnecter

1. General

1.1 Application

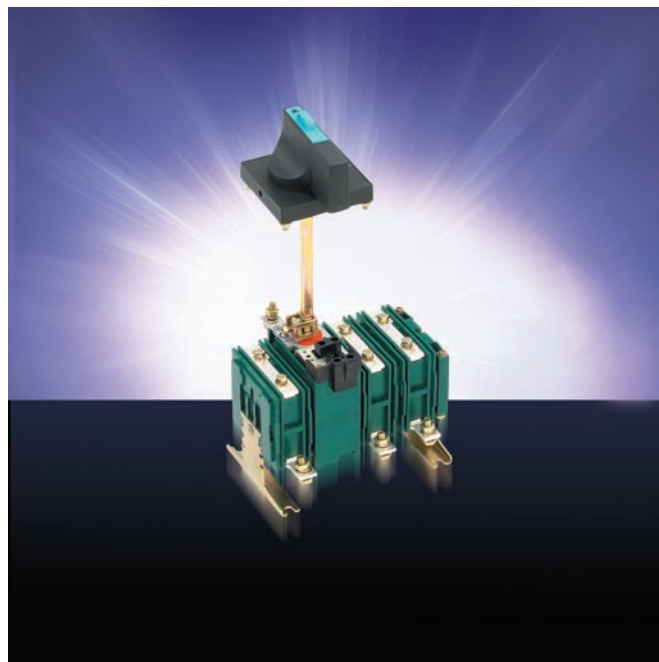
Mainly used in the distributing and motor circuit which has high short-circuit current, and acted as main switch or master switch infrequently operated by hand, it is particularly suitable in the relative high class with drawdown low voltage complete equipment. They provide safety isolation and protection against overcurrent for any low voltage electrical circuit.

1.2 Standard: IEC/EN 60947-3.

1.3 General characteristic

Full-enclosed structure

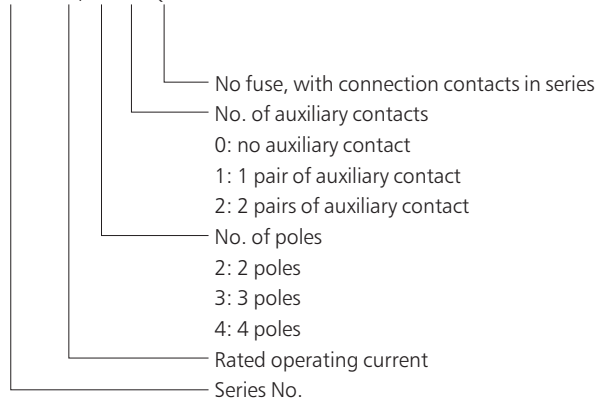
Unique rolling insert type contact system.



2. Switch disconnecter, with connection contact in series

2.1 Ordering information

HH15 - □/□ □ QA

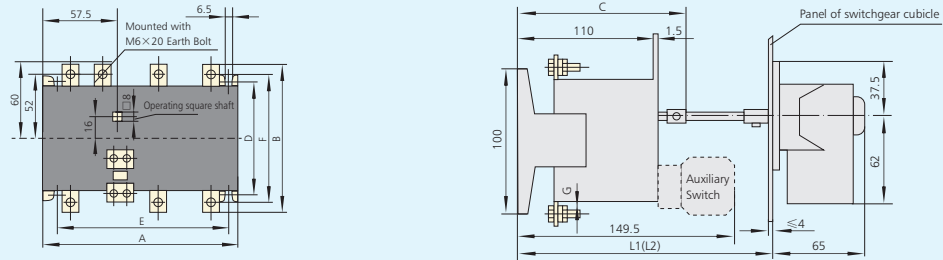


2.2 Property

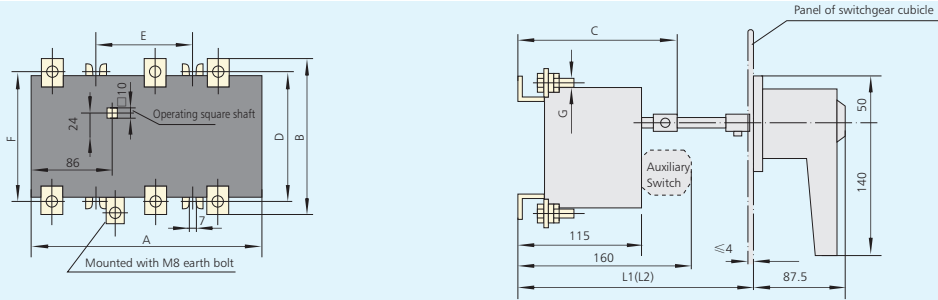
Specification	125	160	200	400	630	1000
No. of poles	3	3	3	3	3	3
Rated insulating voltage(V)	Ue=400V, Ui=690V. Ue=690V, Ui=1000V.					
Rated operating voltage Ue(V)	AC400 AC690	AC400 AC690	AC400 AC690	AC400 AC690	AC400 AC690	AC400 AC690
Conventional thermal current(A)	125	160	200	400	630	1000
Rated operating current(A)	400V: AC-21B	125	160	200	630	1000
	400V: AC-22B	125	160	160	315	400
	690V: AC-23B	125	160	160	400	400
Rated Short-circuit making capacity (Peak)(kA)	20	20	20	50	50	50
Rated Short-time withstand current(kA)	1.5	1.6	2.4	4.8	8	12
Mechanical life	1400	1400	1400	800	800	500
Electric Life	200	200	200	200	200	100
Operating torque (N • m)	7.5	16	16	16	30	40
Conventional thermal current of auxiliary contact Ith 400, AC-15(A)	5	5	5	5	5	5

2.3 Dimension (mm)

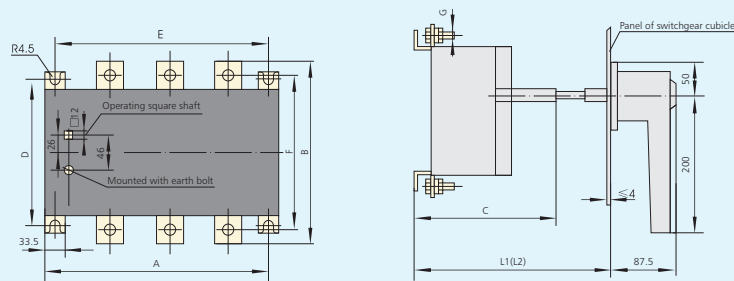
HH15-125/QA, 160/QA, 200/QA



HH15-400/QA, 630/QA

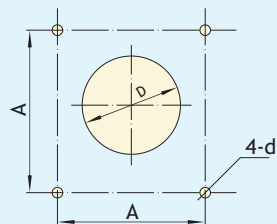


HH15-1000/QA



Specification	A	B	C	D	E	F	G	L1	L2
HH15-125/QA	155±1.25	116±1.10	133±1.25	90±0.75	135±1.25	101±1.10	M6	165~225	165~385
HH15-160/QA	155±1.25	127±1.25	133±1.25	90±0.75	135±1.25	107±1.10	M8	165~225	165~385
HH15-200/QA	155±1.25	127±1.25	133±1.25	90±0.75	135±1.25	107±1.10	M8	165~225	165~385
HH15-400/QA	240±1.45	160±1.25	141.5±1.25	130±1.25	100±1.10	135±1.25	M10	165~225	165~385
HH15-630/QA	240±1.45	160±1.25	141.5±1.25	130±1.25	100±1.10	135±1.25	M10	165~225	165~385
HH15-1000/QA	345±1.8	270±2.6	188±2.6	210±1.6	315±1.6	230±2.3	M12	250~265	250~259

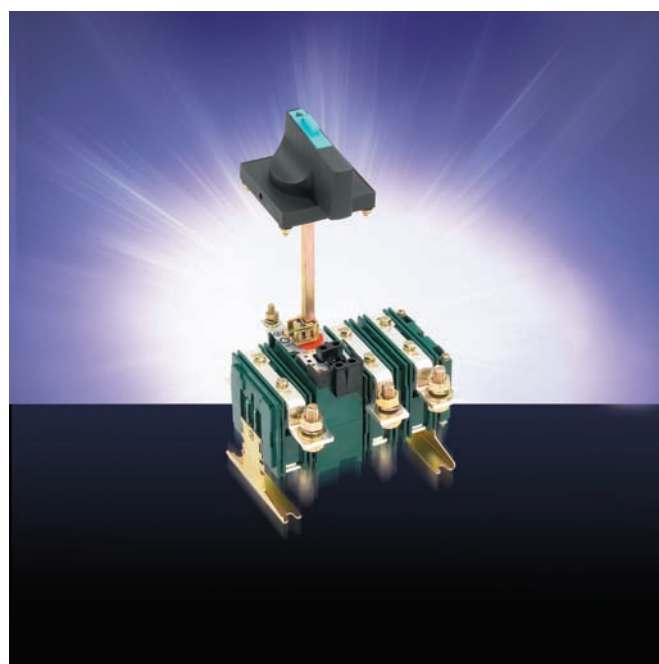
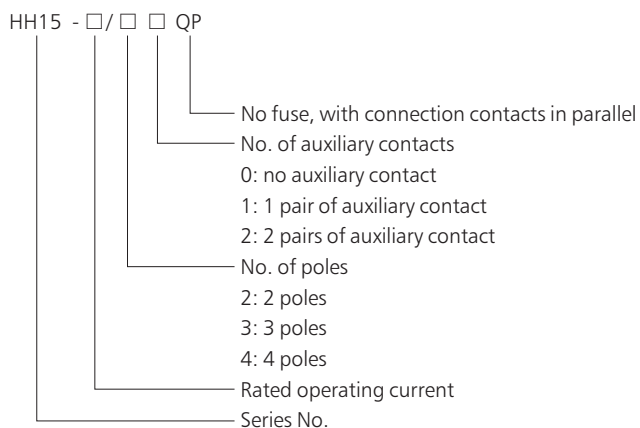
2.4 Boring dimension (mm)



Specification	A	D	d
HH15-125~200/QA HH15-250/QP	65±0.2	$\phi 42 \begin{smallmatrix} +4 \\ 0 \end{smallmatrix}$	$\phi 4.5 \begin{smallmatrix} +0.5 \\ 0 \end{smallmatrix}$
HH15-400~1000/QA	88±0.2	$\phi 63 \begin{smallmatrix} +2 \\ 0 \end{smallmatrix}$	$\phi 5.5 \begin{smallmatrix} +0.5 \\ 0 \end{smallmatrix}$

3. Switch disconnecter, with connection contact in parallel

3.1 Ordering information

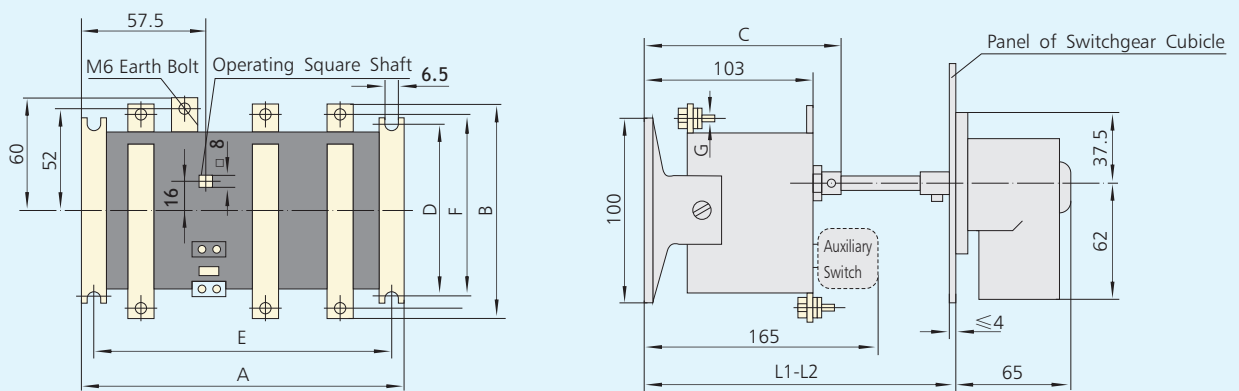


3.2 Property

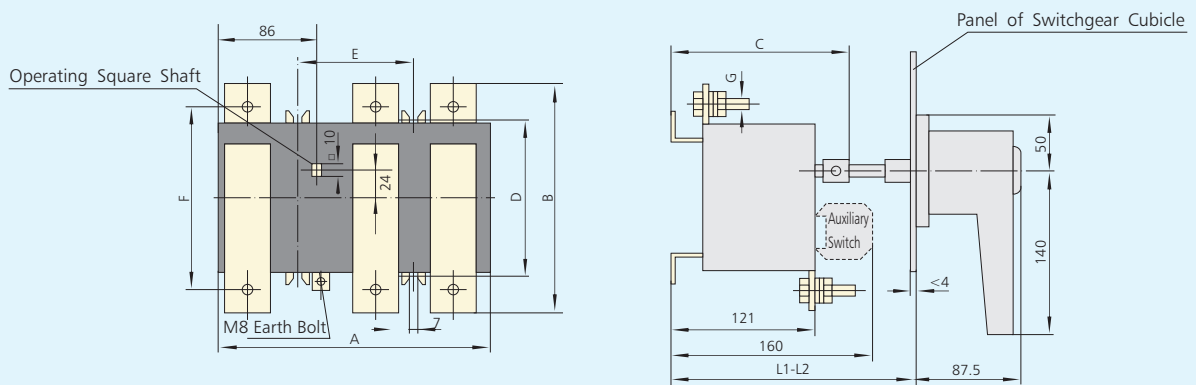
Specification	250	630	1000	1250	1600	2500	3150	
No. of poles	3	3	3	3	3	3	3	
Rated insulating voltage(V)	U _e =400V, U _i =690V. U _e =690V, U _i =1000V.							
Rated operating voltage U _e (V)	AC400 AC690	AC400 AC690	AC400 AC690	AC400 AC690	AC400 AC690	AC400 AC690	AC400 AC690	
Conventional thermal current(A)	250	630	1000	1250	1600	2500	3150	
Rated operating current(A)	400V:AC-21B	250	630	1000	1250	1600	2500	3150
	400V:AC-22B	250	630	630	630	800	-	-
	690V:AC-21B	250	630	1000	1250	1470	2500	2500
Rated Short-circuit making capacity (Peak)(kA)	39	60	60	85	85	130	130	
Rated Short-time withstand current(kA)	3	8	12	15	20	30	38	
Mechanical life	1400	800	500	500	500	500	300	
Electric Life	200	200	100	100	100	100	100	
Operating torque (N • m)	16	30	40	45	60	75	90	
Conventional thermal current of auxiliary contact I _{th} 400, AC-15(A)	5	5	5	5	5	5	5	

3.3 Dimension (mm)

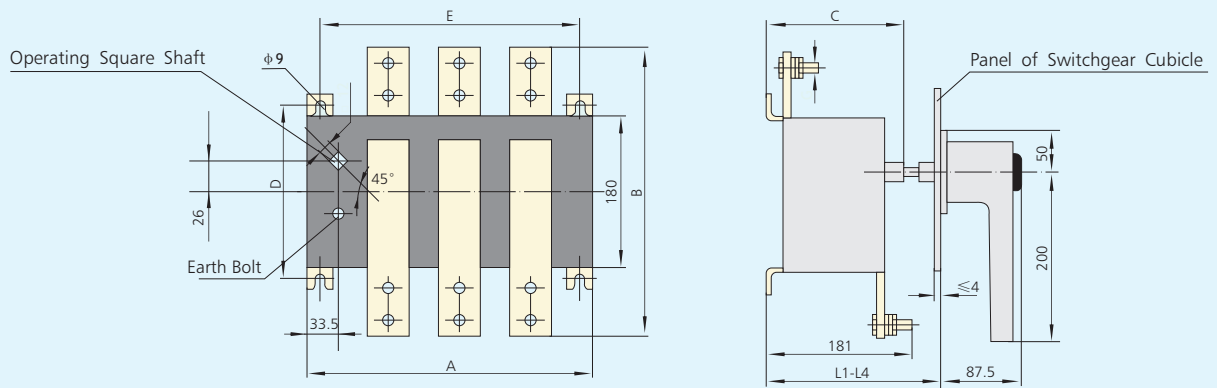
Overall & Installation dimension of HH15-630, 1000/QP



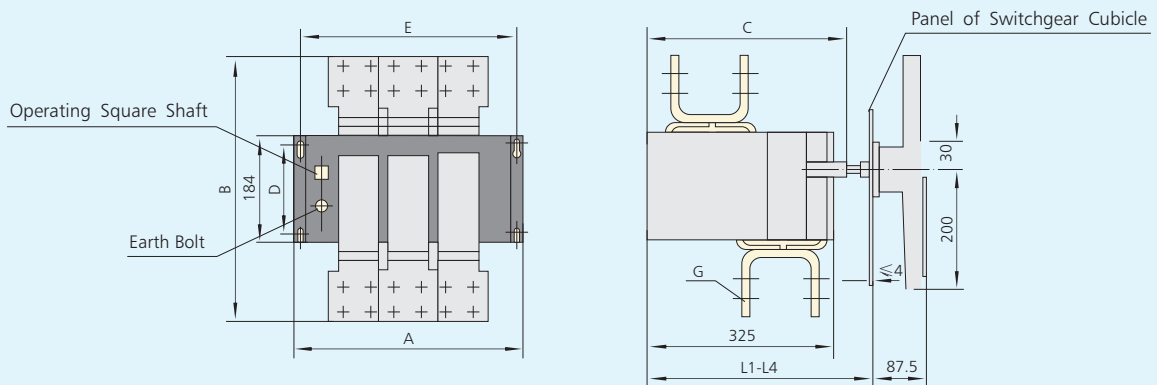
Overall & Installation Dimension of HH15P-1250/QP, 1600/QP



Overall & Installation Dimension of HH15P-1250/QP、1600/QP

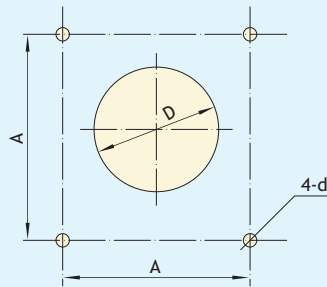


Overall & Installation Dimension of HH15P-2500/QP、3150/QP



Specification	A	B	C	D	E	F	G	L1	L2
HH15-250/QP	155±1.25	143±1.25	132±1.25	90±0.75	135±1.25	118±1.10	M10	-	-
HH15-400/QP	240±1.45	170±1.25	141.5±1.25	130±1.25	100±1.10	140±1.25	M10	-	-
HH15-630/QP	240±1.45	170±1.25	141.5±1.25	130±1.25	100±1.10	140±1.25	M10	-	-
HH15-1000/QP	240±1.45	218±1.6	143±1.25	130±1.25	100±1.10	178±1.25	M12	-	-
HH15-1250/QP	345±1.8	350±2.6	177±2.6	208±1.6	315±1.6	-	2×M12	244~269	249~529
HH15-1600/QP	345±1.8	350±2.6	177±2.6	208±1.6	315±1.6	-	2×M12	244~269	249~529
HH15-2500/QP	395±1.8	446±2.6	342±2.6	152±1.6	372±1.6	-	2×φ14	410~435	419~699
HH15-3150/QP	395±1.8	462±2.6	342±2.6	152±1.6	372±1.6	-	2×φ14	410~435	419~699

3.4 Boring dimension (mm)



Specification	A	D	d
HH15-250/QP	65±0.2	φ42 ⁺⁴ ₀	φ4.5 ^{+0.5} ₀
HH15-630~1000/QP HH15P-1250~3150/QP	88±0.2	φ63 ⁺² ₀	φ5.5 ^{+0.5} ₀