



Ukrain



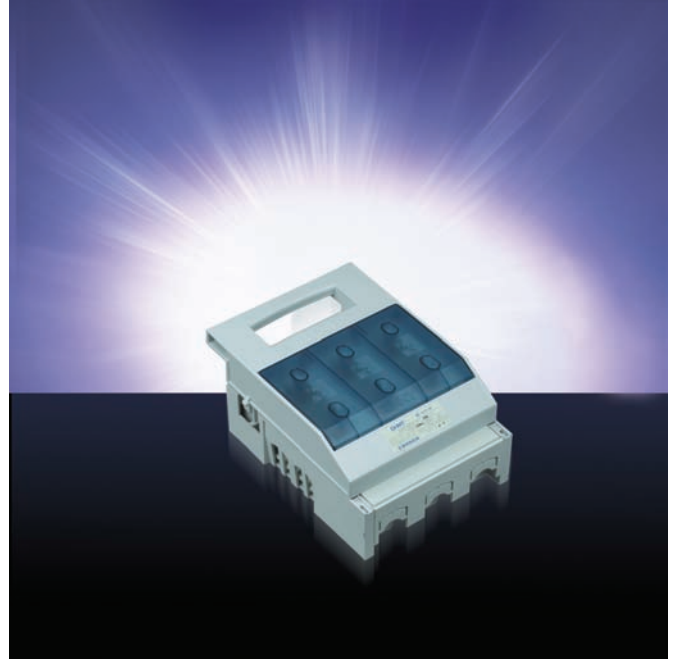
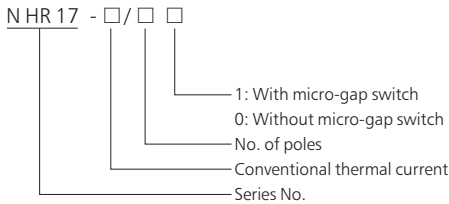
NHR17 Fuse-Switch Disconnecter

1. General

1.1 NHR17 series fuse-switch disconnecter is a new product developed by our company. Rated insulation voltage up to 800V. rated operational voltage up to 690V. rated operational current up to 630A, rated frequency 50Hz, in the distribution circuit and motor circuit which has high short-circuit current as the power switch, isolating switch, emergency switch as well as circuit protection, but normally it is not used to make and break a single motor directly.

1.2 Standard: IEC/EN 60947-3.

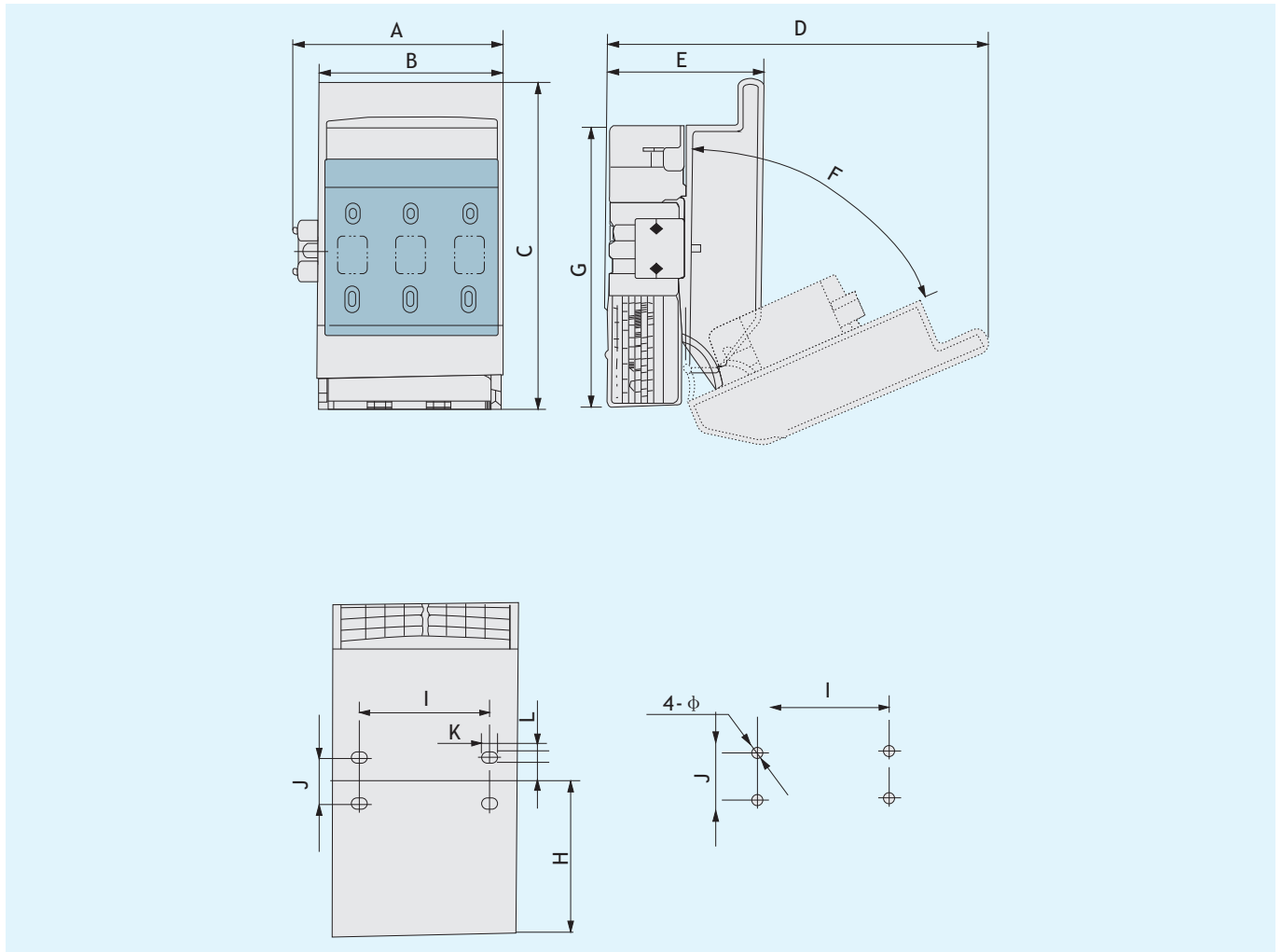
2. Type Designation



3. Primary parameters

Conventional thermal current(A)		160	250	400	630
Rated insulation voltage V		800			
Rated current A	690V AC20	160	250	400	630
	400V AC21	160	250	400	630
	400V AC22	160	250	400	630
	690V AC20	160	250	400	630
	690V AC21	100	200	315	425
	690V AC22	100	160	315	315
	Operating force N		≤250	≤350	≤350
Associated fuse	Model	00	1	2	3
	Rated current of matched fuse in 400V (breaking capacity)	20, 25, 32, 35, 40, 50, 63, 80, 100, 125, 160 (≥100kA)	80, 100, 125, 160, 200, 224, 250 (≥100kA)	125, 160, 200, 224, 250, 300, 315, 355, 400 (≥100kA)	315, 355, 400, 425, 500, 630 (≥100kA)
	Rated current of matched fuse in 690V (breaking capacity)	20, 25, 32, 35, 40, 50, 63, 80, 100 (≥50kA)	80, 100, 125, 160, 200 (≥50kA)	123, 160, 200, 224, 250, 300, 315 (≥50kA)	315, 355, 400, 425 (≥50kA)

4. Overall and Mounting Dimensions (mm)



Specification	A	B	C	D	E	F	G	H	I	J	K	L	ϕ
160	123	106	186	215	90	66°	160	86	74	25	9.5	6.5	—
250	196	184	266	240	118	70°	230	125	114	50	25	9	—
400	260	250	330	390	145	72°	295	155	150	50	—	—	9
630	260	250	330	390	145	72°	295	155	150	50	—	—	9