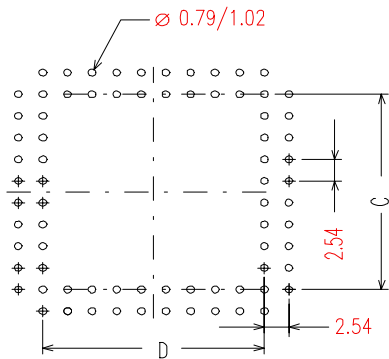
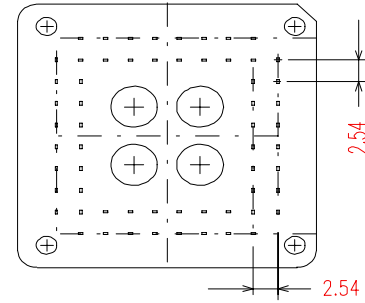
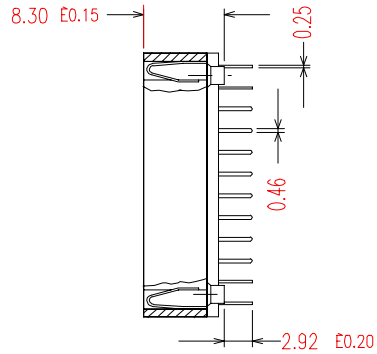
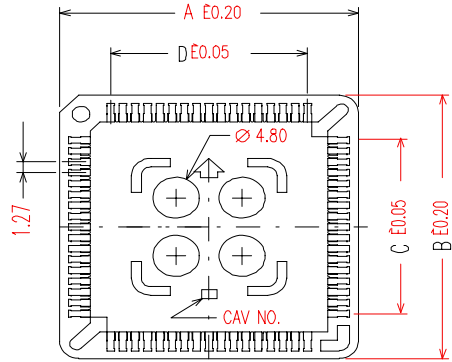



**CUSTOMER DRAWING ONLY**



RECOMMENDED P.C.B. LAYOUT

NO.OF POSITION	DIMENSION (MM)			
	A	B	C	D
20	15.56	15.56	5.08	5.08
28	18.10	18.10	7.62	7.62
32	18.10	20.64	10.16	7.62
44	23.18	23.18	12.70	12.70
52	25.72	25.72	15.24	15.24
68	30.80	30.80	20.32	20.32
84	35.88	35.88	25.40	25.40
100	40.96	40.96	30.48	30.48

<b>Drawn By:</b> LJ, H	<b>Checked By:</b> PFR	<b>Material: Insulator:</b> PPS <b>Contact:</b> Phosphor Bronze	 <b>Chupond America, Inc.</b> 6168 Greenhill Rd., New Hope, PA 18938-9630, USA  <b>TITLE: PLCC Thru-Hole Sockets</b>  <b>ENG. #:</b> <b>0900-XXX-X-X</b> Rev.
<b>Drawn:</b> 9/24/94	<b>Scale:</b> None	<b>Plating:</b> 150 $\mu$ " SnPb ove 50 $\mu$ " min Ni	
<b>Released:</b> 9/25/94	<b>Sheet 1 of 1</b>	<b>Tolerances:</b> $\pm 0.125$ mm; $\pm 0.25$ mm; and $\pm 2^\circ$	