

# CHOOSE A SPECIALIST FOR ALL OF YOUR CONNECTORS NEED

[www.chyaoshiunn.com.tw](http://www.chyaoshiunn.com.tw)



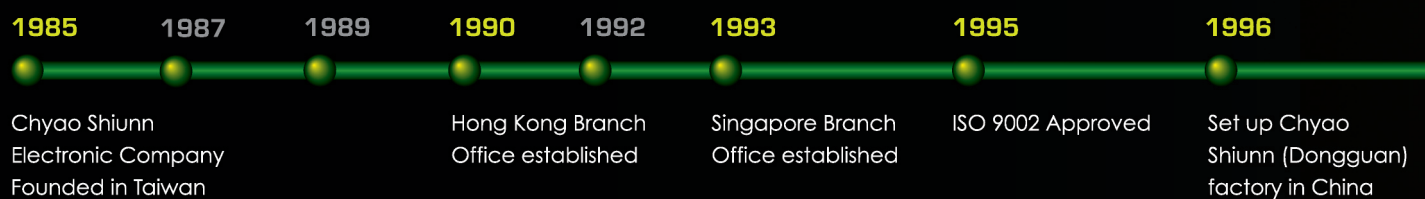
喬訊電子工業股份有限公司  
Chyao Shiunn Electronic Industrial Ltd.



## ■ Organization



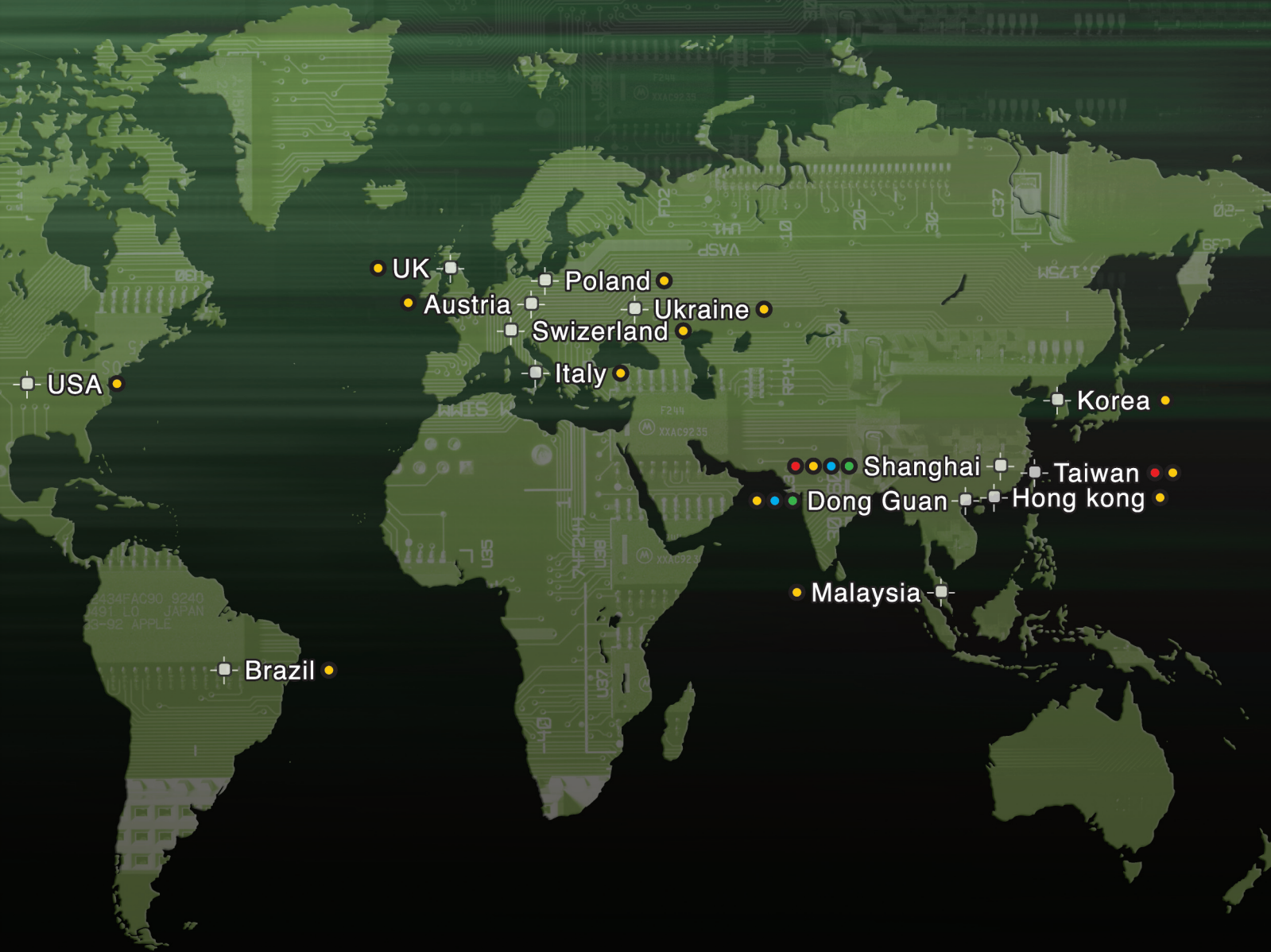
## ■ Milestone





# Company Profile

## Global Footprints



Design ●

Sales ●

Manufacturing ●

Tooling ●

1997

1999

2001

2002

2004

2006

2008

2010

2012

Set up Chyao Shiunn (Shanghai) factory in China

ISO 9001 Approved

Set up Chyao Shiunn (Qingdao) in China.

ISO 14001  
OHSAS 18001 Approved

Set up Chyao Shiunn Malaysia Branch Office

*\* Information is subject to change without prior notice.*

*For latest information, please contact your sales representatives.*

*\* 圖面的尺寸及外觀僅供參考，具體的規格請見我們公司最新工程圖面。*

# INDEX

## ■ Wire to Board Connectors

**A**

Pitch	Description	Part Number	Page
0.80mm (.031")	Disconnectable Insulation Displacement Connectors	JS-ID0800,JS-ID0801V	A2
		JS-ID0801H	A3
0.90mm (.035")	Vertical Mating Wire to Board Connectors	JS-2453-XX,JS-2454-XX	A5
		JS-2453-T / TG	A6
1.00mm (.039")	Crimp Style Connectors<SMT>	JS-1253	A8
		JS-1254,JS-1254R	A9
		JS-1253-T / TG	A10
1.00mm (.039")	Crimp Style Connectors <SMT><Double-Row>	JS-1253D,JS-1254D	A12
		JS-1254DR, JS-1253-T / TG	A13
1.00mm (.039")	Crimp Style Connectors<SMT>	JS-1266,JS-1276	A15
		JS-1267-30,JS-1266-T	A16
1.00mm (.039")	Crimp Style Connectors<SMT>	JS-1286	A18
1.00mm (.039")	Crimp Style Connectors<SMT>	JS-1011-20,JS-1011-T / TG	A20
1.00mm (.039")	Crimp Style Connectors<SMT>	JS-1022,JS-1022-T / TG	A22
1.00mm (.039")	Crimp Style Connectors<SMT><Double-Row>	JS-1288,JS-1289	A24
		JS-1288-TG	A25
1.00mm (.039")	Crimp Style Connectors<SMT><Double-Row>	S-2015,JS-2015-TG	A27
1.25mm (.049")	Crimp Style Connectors	JS-1245,JS-1255-T / TG	A29
		JS-1246,JS-1246R	A30
		JS-1247,JS-1247R	A31
1.25mm (.049")	Crimp Style Connectors<SMT><Double-Row>	JS-1255,JS-1256	A33
		JS-1255-T	A34
1.25mm (.049")	Crimp Style Connectors<SMT>	JS-1225,JS-1225-T	A36
		JS-1235R	A37
1.25mm (.049")	Crimp Style Connectors	JS-1145,JS-1145-T	A39
		JS-1146,JS-1146-T	A40
		JS-1147,JS-1147A	A41
		JS-1147R	A42
1.25mm (.049")	Crimp Style Connectors	JS-1147H,JS-1147V	A43
		JS-1250,JS-1250-T	A45
1.25mm (.049")	Crimp Style Connectors	JS-1251,JS-1251R	A46
		JS-1258,JS-1258-T	A48
1.25mm (.049")	Crimp Style Connectors<SMT>	JS-1259	A49
		JS-1285,JS-1285-T	A51
1.25mm (.049")	Crimp Style Connectors<SMT>	JS-2285,JS-1295	A52
		JS-2295,JS-2295R	A53
		JS-2255,JS-2255-T	A55
1.25mm (.049")	Crimp Style Connectors<Double-Row>	JS-2255,JS-2255-T	A55
1.50mm (.059")	Crimp Style Connectors	JS-1173,JS-1173-T	A57
		JS-1174,JS-1174R	A58
		JS-1174V,JS-1174H	A59
2.00mm (.079")	Center Mini Latch Connectors	JS-1126,JS-1127	A61
		JS-1126-T	A62
2.00mm (.079")	Center Mini Latch Connectors	JS-1126WS,JS-1126WR,JS-1127WS,JS-1127WR	A63
		JS-1163,JS-1163-T	A66
2.00mm (.079")	Center Mini Latch Connectors	JS-1164,JS-1164B,JS-1164BN	A67
		JS-1101,JS-1101-TL,JS-1101-TH	A70
2.00mm (.079")	Crimp Style Connectors	JS-9001,JS-9001R	A71
		JS-1124,JS-1124-T	A73
2.00mm (.079")	Crimp Style Connectors	JS-1125,JS-1125R	A74
		JS-1261	A75
		JS-1261R	A76
2.00mm (.079")	Crimp Style Connectors<Double-Row>	JS-2007,JS-2007-T	A78
		JS-2008,JS-2008R	A79
2.00mm (.079")	Crimp Style With Secure Locking Connectors	JS-2007S,JS-2008S	A81
		JS-2008SR	A82
2.00mm (.079")	Crimp Style Connectors	JS-2005,JS-2005-T	A84
		JS-2006,JS-2006R	A85
2.00mm (.079")	Crimp Style Connectors	JS-2002H,JS-2002H-T	A87
		JS-2002,JS-2002R	A88
2.00mm (.079")	Crimp Style Connectors<Double-Row>	JS-2017,JS-2017-T	A90
		JS-2018,JS-2018R	A91

# INDEX

## ■ Wire to Board Connectors

**A**

Pitch	Description	Part Number	Page
2.00mm (.079") Crimp Style Connectors		JS-2003,JS-2003-T	A93
		JS-2004,JS-2004R	A94
2.50mm (.098") Crimp Style Connectors		JS-2001,JS-2001-T	A96
		JS-1001,JS-1001R	A97
2.50mm (.098") Disk Drive Power Connectors		JS-1116,JS-1116-T	A99
		JS-1116-xxW,JS-1116-04WR	A100
2.50mm (.098") Crimp Style Connectors		JS-1128,JS-1128-T	A102
		JS-1129,JS-1129R	A103
2.50mm (.098") Crimp Style Connectors		JS-1131,JS-1131-T	A105
		JS-1132,JS-1132R	A106
2.50mm (.098") Crimp Style Connectors		JS-1136,JS-1136-T	A108
		JS-1135,JS-1135R	A109
2.50mm (.098") Crimp Style Connectors		JS-1140,JS-6503-T	A111
		JS-1141,JS-1141R	A112
2.50mm (.098") Crimp Style Connectors		JS-1170,JS-1170-T	A114
		JS-1169	A115
2.50mm (.098") Crimp Style Connectors		JS-8002,JS-8001-T / PBT	A117
		JS-6002,JS-7002	A118
2.54mm (.100") Center Mini Latch Connectors		JS-1105,JS-1105B,JS-1108,JS-1108-T	A120
		JS-1105-T	A121
		JS-1109,JS-1110,JS-1106,JS-1107	A122
2.54mm (.100") Crimp Style Connectors		JS-1142,JS-1142-T	A125
		JS-1143,JS-1143R	A126
2.54mm (.100") Crimp Style Connectors		JS-8001,JS-8001-T	A128
		JS-6001	A129
		JS-7001,JS-7001-xx (L)	A130
2.54mm (.100") Crimp Style Connectors		JS-8254,JS-8001-T	A132
		JS-6254,JS-7254-xx(L),JS-6255-03	A133
2.54mm (.100") PCB Headers		JS-5005A-xxS,JS-5005A-xxR	A135
		JS-5006A-xxDR	A136
3.96mm (.156") Crimp Style Connectors		JS-1121,JS-1121-T	A139
		JS-1120,JS-1120R	A140
3.96mm (.156") Crimp Style Connectors		JS-1138-06,JS-5001-T,JS-5001-TA	A142
		JS-1139-06,JS-1139-12	A143
		JS-1139-06 WO/P,JS-1139-12 WO/P	A144
3.96mm (.156") Crimp Style Connectors		JS-5001,JS-5001-T,JS-5001-TA	A146
		JS-4001,JS-4001R	A147
3.96mm (.156") Crimp Style Connectors		JS-4002,JS-4003,JS-4003R	A149
3.96mm (.156") PCB Headers		JS-5017A-xxS,JS-5017A-xxR	A151
		JS-5018A-xxDR	A152
3.96mm (.156") Crimp Style Connectors		JS-1391-XX	A154
5.00mm (.197") Crimp Style Connectors		JS-1102,JS-1102-T,JS-1102-T(L)	A156
		JS-1103,JS-1103-xx(B)	A157
5.00mm (.197") Crimp Style Connectors		JS-5080	A159
		JS-5001-T,JS-5001-TA	A160
		JS-5081,JS-5081R	A161
8.00mm (.315") Crimp Style Connectors		JS-1123-XX,JS-1123-04S	A163
		JS-1123-T,JS-1123-T(L)	A164
		JS-1122,JS-1122-xx(B)	A165

## ■ Board-In Connectors

**B**

Pitch	Description	Part Number	Page
1.25mm (.049") Crimp Style Board-In Connectors		JS-1252,JS-1252-T	B2
2.00mm (.079") Crimp Style Board-In Connectors		JS-1130,JS-1130-TP	B4
		JS-1130R,JS-1130R-TP	B5
2.50mm (.098") Crimp Style Board-In Connectors		JS-1137,JS-1137-TP	B7
		JS-1137B,JS-1137B-TP	B8
		JS-1137R,JS-1137R-TP	B9
3.96mm (.156") Crimp Style Board-In Connectors		JS-4008,JS-4008-TP	B11



# INDEX

## ■ Wire to Wire / Power Connectors

Pitch	Description	Part Number	Page
1.30ø	Wire to Wire Power Connectors	JS-23131BS-2,JS-24131BS-2	C2
		JS-2313	C3
1.58ø	Wire to Wire Power Connectors	JS-23158BS-2,JS-24158BS-2	C6
		JS-23158A	C7
1.58ø	Wire to Wire Power Connectors	JS-23158	C10
2.00ø	Wire to Wire Power Connectors	JS-2000H-TH / TL,JS-2000W-TH / TL	C14
		JS-2000H	C15
2.36ø	Wire to Wire Power Connectors	JS-2330BS-2L,JS-2430BS-2L	C18
		JS-2330	C19
2.36ø	Wire to Wire Power Connectors	JS-2330BS-2,JS-2430BS-2	C22
		JS-2330A	C23
2.50mm (.098")	Power Connectors	JS-6503-T,JS-6504-T	C26
		JS-6504	C27
3.00mm (.118")	Double-Row Power Connectors	JS-3024,JS-3024-XX WO/E	C31
		JS-3024-T,JS-3024-TL	C32
		JS-3025,JS-3025-T,JS-3025-TL	C33
		JS-3026,JS-3027	C34
		JS-3028V,JS-3028H	C35
		JS-3029V,JS-3029H	C36
		JS-3024S,JS-3024S-XXWO / E	C38
3.00mm (.118")	Single-Row Power Connectors	JS-3025S,JS-3026S	C39
		JS-3027S	C40
		JS-3028SV,JS-3028SH	C41
		JS-3029SV,JS-3029SH	C42
3.50mm (.138")	High Withstanding Voltage Power Connectors	JS-2011-02,JS-2011-T,JS-2021-02,JS-2021-T	C44
		JS-2013-02,JS-2012-02	C45
		JS-20131-02,JS-20121-02	C46
		JS-2013D-04,JS-20131D-04	C46
4.0/8.0/12.0mm	High Withstanding Voltage Power Connectors	JS-2009,JS-2009-T	C48
		JS-2010	C49
		JS-20101	C50
4.20mm (.165")	Double-Row Power Connectors	JS-1148,JS-1149	C52
		JS-1148-T,JS-1149-T	C53
		JS-1150,JS-1150SP	C54
		JS-1151,JS-1152	C55
		JS-1153,JS-1154	C56
4.20mm (.165")	Single-Row Power Connectors	JS-1148S,JS-1149S	C58
		JS-1150S,JS-1150SSP,JS-1151S	C59
		JS-1152S,JS-1153S	C60
4.20mm (.165")	BMI Power Connectors	JS-1148I,JS-1149IA	C62
		JS-1149IB,JS-1151I	C63
		JS-1153I	C64
4.20mm (.165")	Wire to Wire Power Connectors	JS-2420,JS-2421	C66
5.08mm (.200")	Disk Drive Power Connectors	JS-1114-04W,JS-1114-04H, JS-1114-04WS,JS-1114-04WR	C68
		JS-1114-04WT,JS-1114-04HT	C69
		JS-1114-04HI,JS-1114-04HL,JS-1114P-04WS	C70
6.35mm (.250")	Power Connectors	JS-6350H,JS-6350W	C72
		JS-6350WSF,JS-6350WSM	C73
		JS-6350WRF,JS-6350WRM	C74
		JS-6350W-TH / TM / TL,JS-6350H-TH1 / TM1 / TL1	C75
		JS-6350W-TH / TM / TL	C76

## ■ FFC / FPC Connectors

Pitch	Description	Part Number	Page
0.50mm (.020")	ZIF Type, FFC/FPC Connectors<SMT>	JS-1191V	D2
		JS-1191D	D3

# INDEX

## ■ FFC / FPC Connectors

D

Pitch	Description	Part Number	Page
		JS-1191U	D4
1.00mm (.039")	ZIF Type Single Beam Contact Style<SMT>	JS-1157V	D7
		JS-1157D,JS-1157U	D8
1.00mm (.039")	NON-ZIF Type Dual Beam Contact Style<DIP>	JS-1156,JS-1156S	D11
		JS-1156R	D12
1.00mm (.039")	NON-ZIF Type Dual Beam Contact Style<SMT>	JS-1158,JS-1157	D14
1.25mm (.049")	ZIF Type Single Beam Contact Style<DIP>	JS-11551,JS-1155R	D16
1.25mm (.049")	NON-ZIF Type Single Beam Contact Style<DIP>	JS-1155A,JS-1155AR	D18
2.54mm (.100")	NON-ZIF Type Dual Beam Contact Style<DIP>	JS-1160,JS-1160R	D20

## ■ Headers / Jumpers / Sockets / Other Connectors

E

Pitch	Description	Part Number	Page
1.56ø	G.T. Pin	MS-PIN156132	E1
2.36ø	G.T. Pin	MS-PIN236143	E2
2.00mm (.079")	Box Header	JS-1300,JS-1300R	E4
		JS-1300D	E5
2.00mm (.079")	Mini-Jumper	JS-M200035-PO,JS-M200050-PC	E6
2.00mm (.079")	Female Header	JS-1192SD1G,JS-1193SD1G	E8
		JS-1192RD1G,JS-1193RD1G	E9
2.00mm (.079")	PCB Socket	JS-11801SFDT	E11
2.00mm (.079")	PCB PIN Header	JS-1126WS-xx(A/B),JS-1127WS-xx*2(A/B)	E13
		JS-1126WR-xx(A/B/C),JS-1127WR-xx*2(A/B/C)	E14
2.54mm (.100")	PCB Pin Headers	JS-1109-xx(A/B),JS-1106-xx*2(A/B)	E16
		JS-1110-xx (A/B/C),JS-1107-xx*2 (A/B/C)	E17
2.54mm (.100")	SIP Socket	JS-11791SFDT	E18
2.54mm (.100")	Box Headers	JS-1200,JS-1200R,JS-1200D	E20
2.54mm (.100")	Box Header With Eject Levers	JS-1200WS,JS-1200WR	E22
2.54mm (.100")	Female Header	JS-1165SD1G,JS-1166SD1G	E24
		JS-1165RD1G,JS-1166RD1G	E25
2.54mm (.100")	IC Socket	JS-1179F,JS-1179xxN,JS-1179FN	E28
2.54mm (.100")	Screw Machine Pin IC Socket	JS-1179RF,JS-1179RFN	E30
2.54mm (.100")	Mini-Jumper	JS-M254045,JS-M254060,JS-M254080,JS-M254135	E32

## ■ I/O Connectors

F

Pitch	Description	Part Number	Page
8.08mm (.318")	D-Sub Connectors, R/A Type	JS-DB32009-120,JS-DB32009-130	F2
8.89mm (.350")	D-Sub Female Connectors, R/A Type	JS-DB32115-100	F4
IEEE 1394	Receptacle Connectors	JS-IE1394FDS1-06	F6
		JS-IE1394FDR1-06	F7
		JS-IE1394FDV1-06	F8
IEEE 1394	Receptacle Right Angle Connectors<SMT>	JS-IE1394FSR1-06	F10
Mini USB	Connector A Type Receptacle<SMT>	JS-MU20ASFS-04,JS-MU20ADFS-04	F12
Mini USB	Connector B Type Receptacle<SMT>	JS-MU20BFS-05	F14
Mini USB	Connector AB Type Receptacle<SMT>	JS-MU20ABFS-05	F16
Mini USB	Connector A Type, Plug	JS-MU20ASM-04,JS-MU20ADM-04	F18
USB Connector A Type Receptacle - Right Angle		JS-UB11AFDR1-04,JS-UB20AFDR1-04	F20
USB Connector A Type, Receptacle Right Angle<SMT>		JS-UB11AFSR1-04,JS-UB20AFSR1-04	F22
USB Connector A Type, Receptacle Right Angle, Double Deck Type		JS-UB11AFDR2-08,JS-UB20AFDR2-08	F24
USB Connector A Type, Plug Right Angle		JS-UB11PFDR1-04,JS-UB20PFDR1-04	E26
USB Connector A Type, Plug Right Angle<SMT>		JS-UB11PFSR1-04,JS-UB20PFSR1-04	F28
USB Connector A Typ Plug and Crimping Tail		JS-UB11AM-04,JS-UB20AM-04	F30
USB Connector B Type, Receptacle - Straight		JS-UB11BFDS1-04,JS-UB20BFDS1-04	F32
USB Connector B Type, Receptacle Right Angle		JS-UB11BFDR1-04,JS-UB20BFDR1-04	F34

## ■ Card Edge Connectors

G

Pitch	Description	Part Number	Page
1.00mm (.039")	Card Edge Connectors<SMT>	JS-1088,JS-1088-100AML	G2

# 0.80mm (.031") Disconnectable Insulation Displacement Connectors

## Specifications

- Voltage Rating : 30V DC
- Current Rating : 0.5A AC/DC (AWG#32)  
0.2A AC/DC (AWG#36)
- Withstanding Voltage : 200V AC/minute
- Insulation Resistance : 100MΩ min.
- Temperature Range : -25°C to + 85°C
- Contact Resistance : 20mΩ max

## Features:

### ■ RECEPTACLE

Part No. : JS-ID0800-XX

Poles : 2-22

Material : Contact : Copper Alloy, Tin Plated

Base : Nylon PA46 , UL94V-0

### ■ WAFER (SMT Type)

Part No. : JS-ID0801V-XX(Straight)

JS-ID0801H-XX(Right Angle)

Poles : 2-22

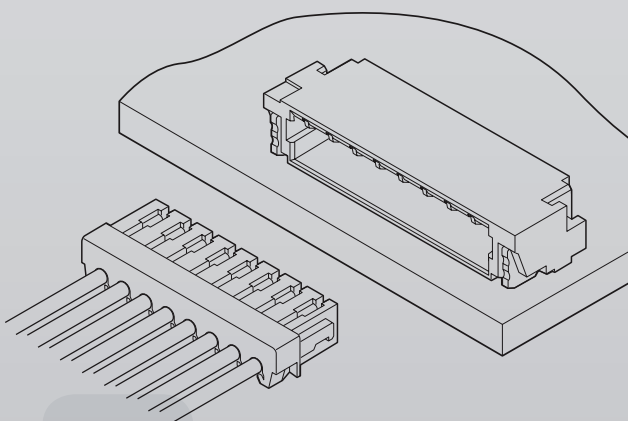
Material : Contact : Copper Alloy, Tin Plated  
or gold plated

Base : Nylon 9T, UL94V-0

Solder Tab : Brass, Tin Plated

Q'ty : 2000 pcs./ Reel (for JS-ID0801V)

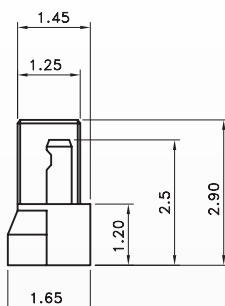
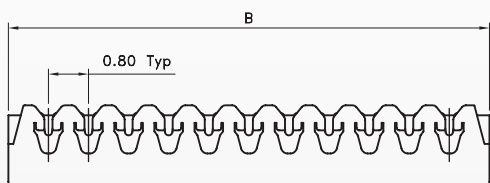
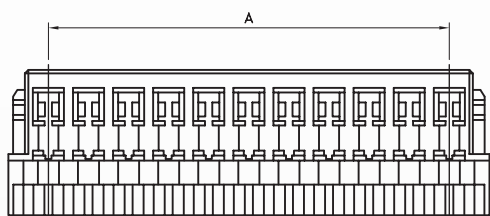
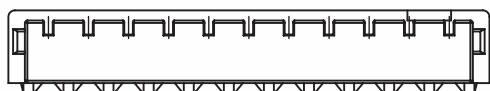
3500 pcs./ Reel (for JS-ID0801H)





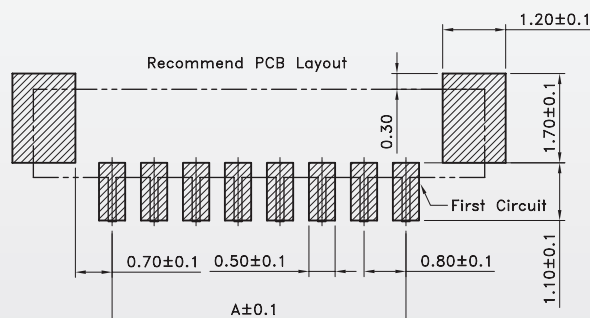
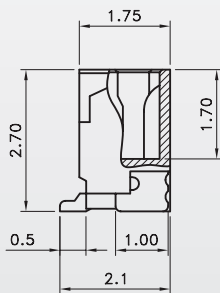
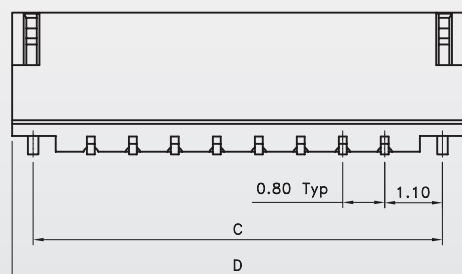
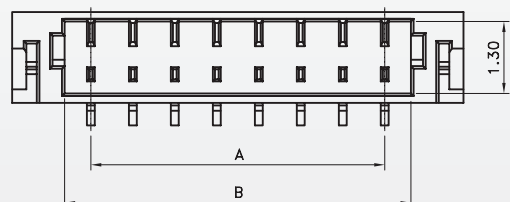
# 0.80mm (.031") Disconnectable Insulation Displacement Connectors

## Housing JS-ID0800



Part No.	Dimensions (mm)	
	A	B
JS-ID0800-02	0.80	2.40
JS-ID0800-03	1.60	3.20
JS-ID0800-04	2.40	4.00
JS-ID0800-05	3.20	4.80
JS-ID0800-06	4.00	5.60
JS-ID0800-07	4.80	6.40
JS-ID0800-08	5.60	7.20
JS-ID0800-09	6.40	8.00
JS-ID0800-10	7.20	8.80
JS-ID0800-11	8.00	9.60
JS-ID0800-12	8.80	10.40
JS-ID0800-13	9.60	11.20
JS-ID0800-14	10.40	12.00
JS-ID0800-15	11.20	12.80
JS-ID0800-16	12.00	13.60
JS-ID0800-17	12.80	14.40
JS-ID0800-18	13.60	15.20
JS-ID0800-19	14.40	16.00
JS-ID0800-20	15.20	16.80
JS-ID0800-21	16.00	17.60
JS-ID0800-22	16.80	18.40

## Wafer - Straight JS-ID0801V

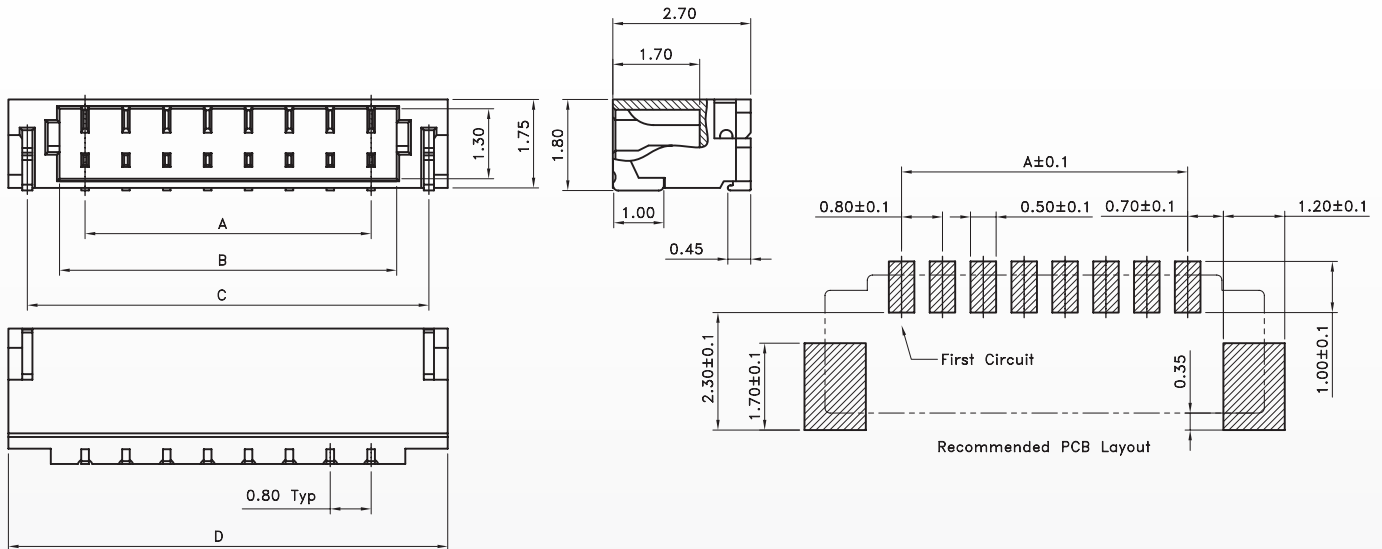


Part No.	Dimensions (mm)			
	A	B	C	D
JS-ID0801V-02	0.80	1.80	3.00	3.80
JS-ID0801V-03	1.60	2.60	3.80	4.60
JS-ID0801V-04	2.40	3.40	4.60	5.40
JS-ID0801V-05	3.20	4.20	5.40	6.20
JS-ID0801V-06	4.00	5.00	6.20	7.00
JS-ID0801V-07	4.80	5.80	7.00	7.80
JS-ID0801V-08	5.60	6.60	7.80	8.60
JS-ID0801V-09	6.40	7.40	8.60	9.40
JS-ID0801V-10	7.20	8.20	9.40	10.20
JS-ID0801V-11	8.00	9.00	10.20	11.00
JS-ID0801V-12	8.80	9.80	11.00	11.80

Part No.	Dimensions (mm)			
	A	B	C	D
JS-ID0801V-13	9.60	10.60	11.80	12.60
JS-ID0801V-14	10.40	11.40	12.60	13.40
JS-ID0801V-15	11.20	12.20	13.40	14.20
JS-ID0801V-16	12.00	13.00	14.20	15.00
JS-ID0801V-17	12.80	13.80	15.00	15.80
JS-ID0801V-18	13.60	14.60	15.80	16.60
JS-ID0801V-19	14.40	15.40	16.60	17.40
JS-ID0801V-20	15.20	16.20	17.40	18.20
JS-ID0801V-21	16.00	17.00	18.20	19.00
JS-ID0801V-22	16.80	17.80	19.00	19.80

# 0.80mm (.031") Disconnectable Insulation Displacement Connectors

## Wafer - Right Angle JS-ID0801H



Part No.	Dimensions (mm)			
	A	B	C	D
JS-ID0801H-02	0.80	1.80	3.00	3.80
JS-ID0801H-03	1.60	2.60	3.80	4.60
JS-ID0801H-04	2.40	3.40	4.60	5.40
JS-ID0801H-05	3.20	4.20	5.40	6.20
JS-ID0801H-06	4.00	5.00	6.20	7.00
JS-ID0801H-07	4.80	5.80	7.00	7.80
JS-ID0801H-08	5.60	6.60	7.80	8.60
JS-ID0801H-09	6.40	7.40	8.60	9.40
JS-ID0801H-10	7.20	8.20	9.40	10.20
JS-ID0801H-11	8.00	9.00	10.20	11.00
JS-ID0801H-12	8.80	9.80	11.00	11.80
JS-ID0801H-13	9.60	10.60	11.80	12.60
JS-ID0801H-14	10.40	11.40	12.60	13.40
JS-ID0801H-15	11.20	12.20	13.40	14.20
JS-ID0801H-16	12.00	13.00	14.20	15.00
JS-ID0801H-17	12.80	13.80	15.00	15.80
JS-ID0801H-18	13.60	14.60	15.80	16.60
JS-ID0801H-19	14.40	15.40	16.60	17.40
JS-ID0801H-20	15.20	16.20	17.40	18.20
JS-ID0801H-21	16.00	17.00	18.20	19.00
JS-ID0801H-22	16.80	17.80	19.00	19.80

# 0.90mm (.035") Vertical Mating Wire to Board Connectors

## Specifications

- Voltage Rating : 50 V AC/DC
- Current Rating : 1A AC/DC
- Withstanding Voltage : 500V AC/minute
- Insulation Resistance : 100M $\Omega$  min.
- Temperature Range : -25°C to + 85°C
- Contact Resistance : 20m $\Omega$  max.

## Features:

### ■ HOUSING

Part No. : JS-2453-XX

Poles : 40, 50

Material : Contact : Nylon 66 UL94V-0

Q'ty : 1,000 pcs/Bag

### ■ WAFER

Part No. : JS-2454-XX

Poles : 40, 50

Material : Contact : Phos. Bronze, Gold Plated

Base : PA46 Nylon 66 UL94V-0

Q'ty : 1,000 pcs/Tape & Reel

### ■ Terminal

Part No. : JS-2453, JS-2453-TG

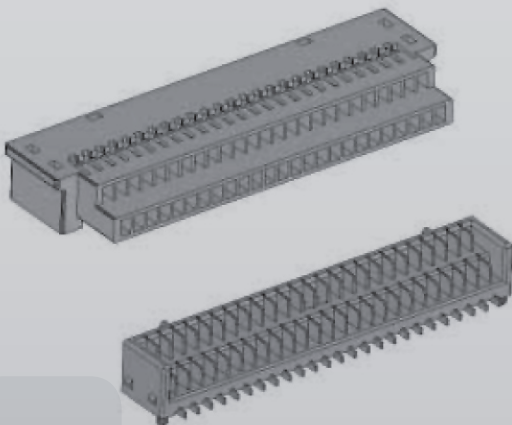
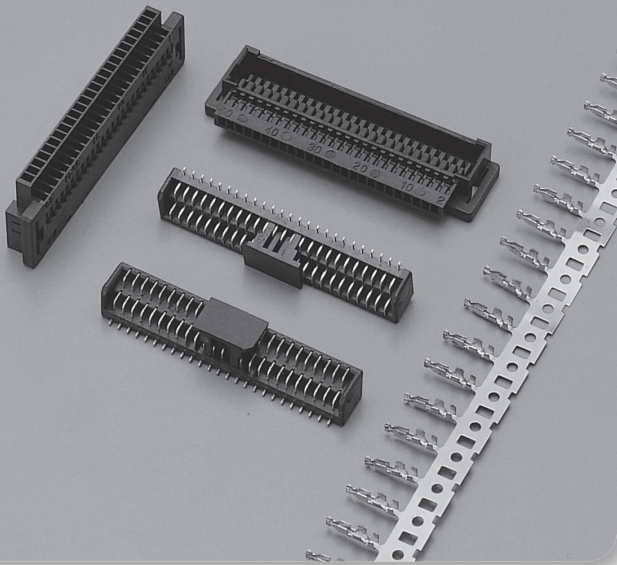
Applicable Wires : AWG# 28-36

Material : Phos. Bronze

Finish : Tin Plated, or Gold Plated

Thickness : 0.12mm

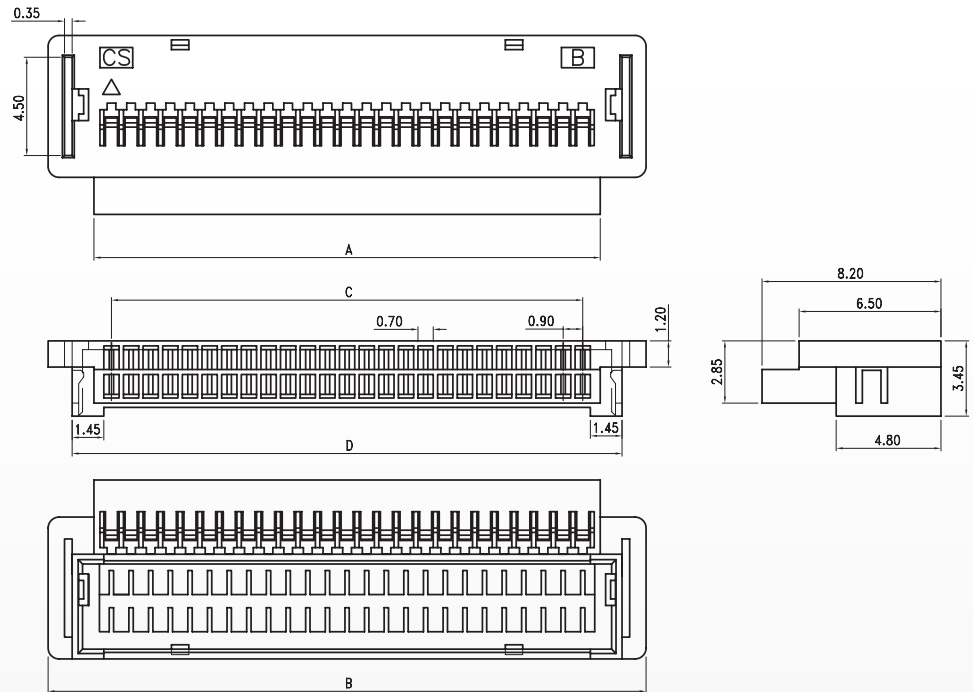
Q'ty : 5,000 pcs/Reel





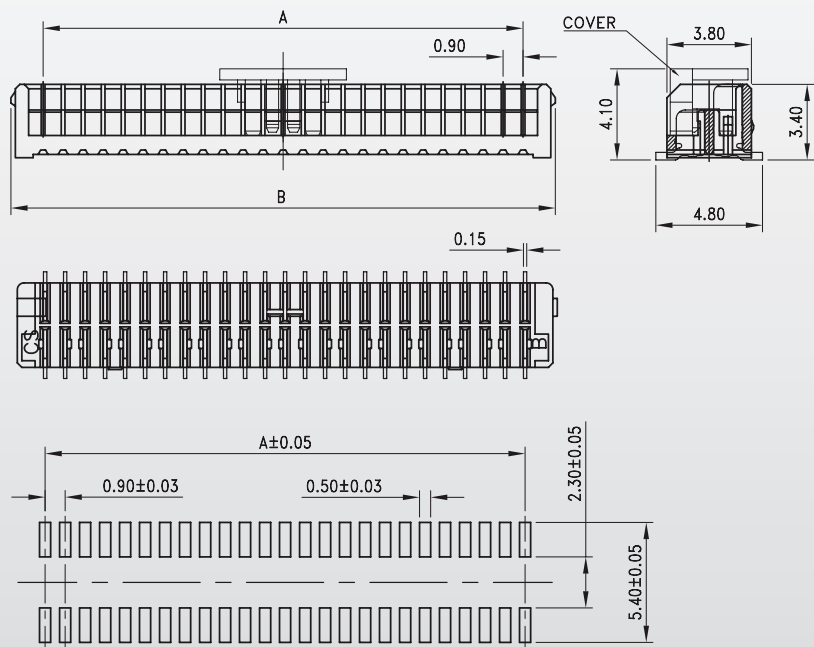
# 0.90mm (.035") Vertical Mating Wire to Board Connectors

## Housing JS-2453-XX



Poles	Part No.	Dimensions (mm)			
		A	B	C	D
40	JS-2453-40	18.70	22.90	17.10	20.70
50	JS-2453-50	23.20	27.40	21.60	25.20

## Wafer JS-2454-XX



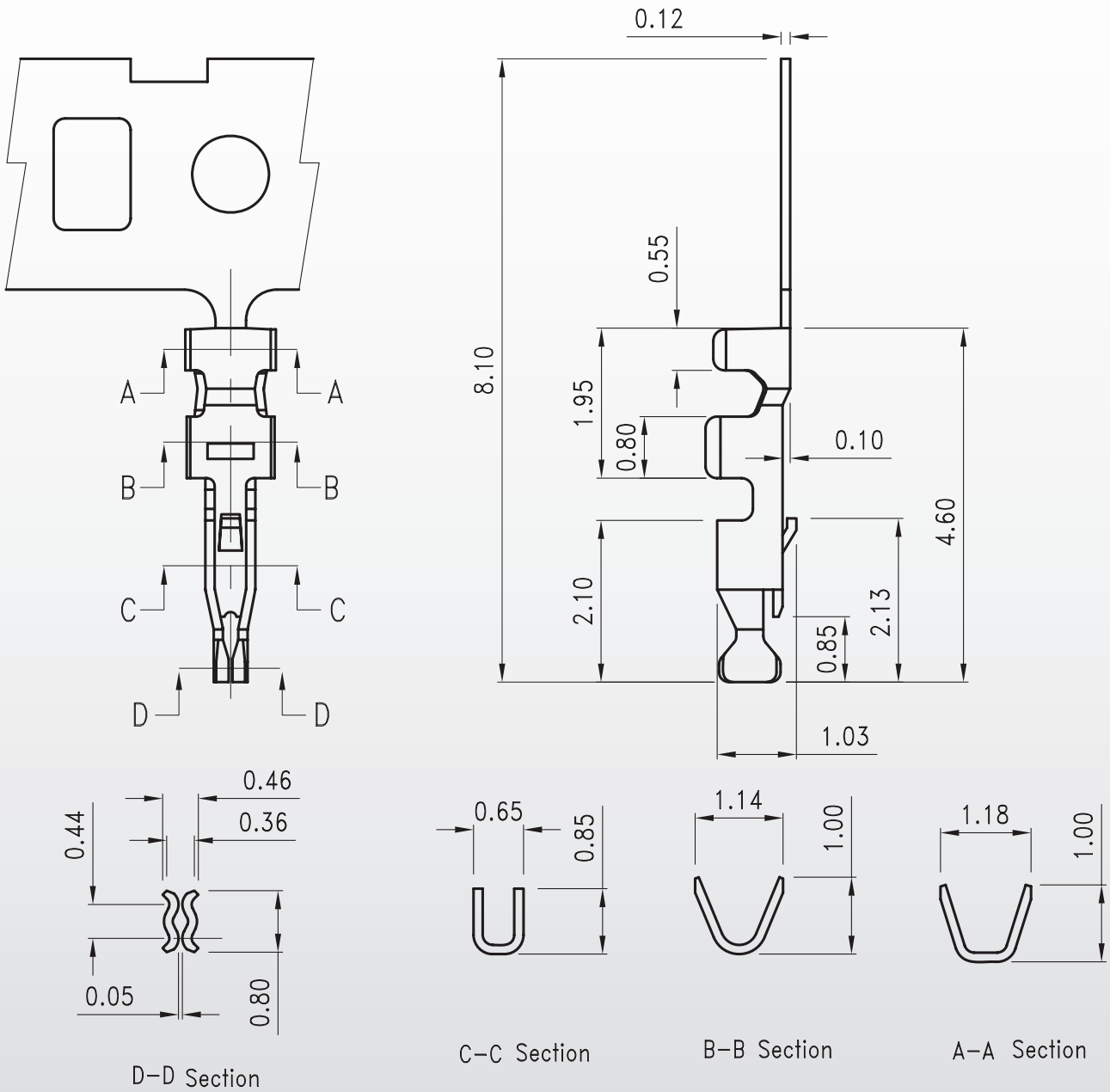
Recommend PCB Layout

Poles	Part No.	Dimensions (mm)	
		A	B
40	JS-1254-40	17.1	20.00
50	JS-1254-50	21.6	24.50

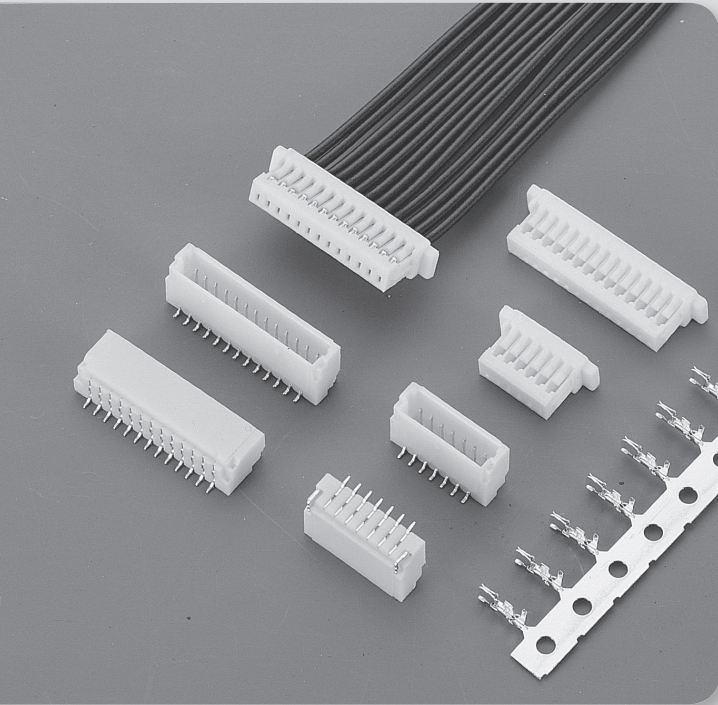
# 0.90mm (.035") Vertical Mating Wire to Board Connectors

**Terminal**  
**JS-2453-T / TG**

**A**



# 1.00mm (.039") Crimp Style Connectors<SMT>



## Specifications

- Voltage Rating : 50V AC/DC
- Current Rating : 1A AC/DC
- Withstanding Voltage : 500V AC/minute
- Insulation Resistance : 100MΩ min.
- Temperature Range : -25°C to + 85°C
- Contact Resistance : 20mΩ max.

## Features:

### ■ HOUSING

Part No. : JS-1253

Poles : 2 - 22

Material : Nylon 66 UL94V-0

Q'ty : 1,000 pcs/Bag

### ■ WAFER

Part No. : JS-1254 (Straight)

JS-1254R (Right Angle)

Poles : 2 - 22

Material : Contact : Phos. Bronze

Finish : Tin Plated or Gold Plated

Base : Nylon PA9T UL94V-0

Q'ty : 1,000 pcs/Tape & Reel

### ■ TERMINAL

Part No. : JS-1253-T, JS-1253-TG

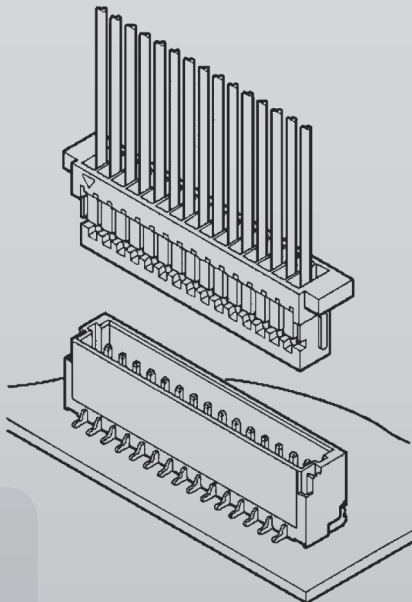
Applicable Wires : AWG# 28-32

Material : Phos. Bronze

Finish : Tin Plated, Gold Plated

Thickness : 0.12mm

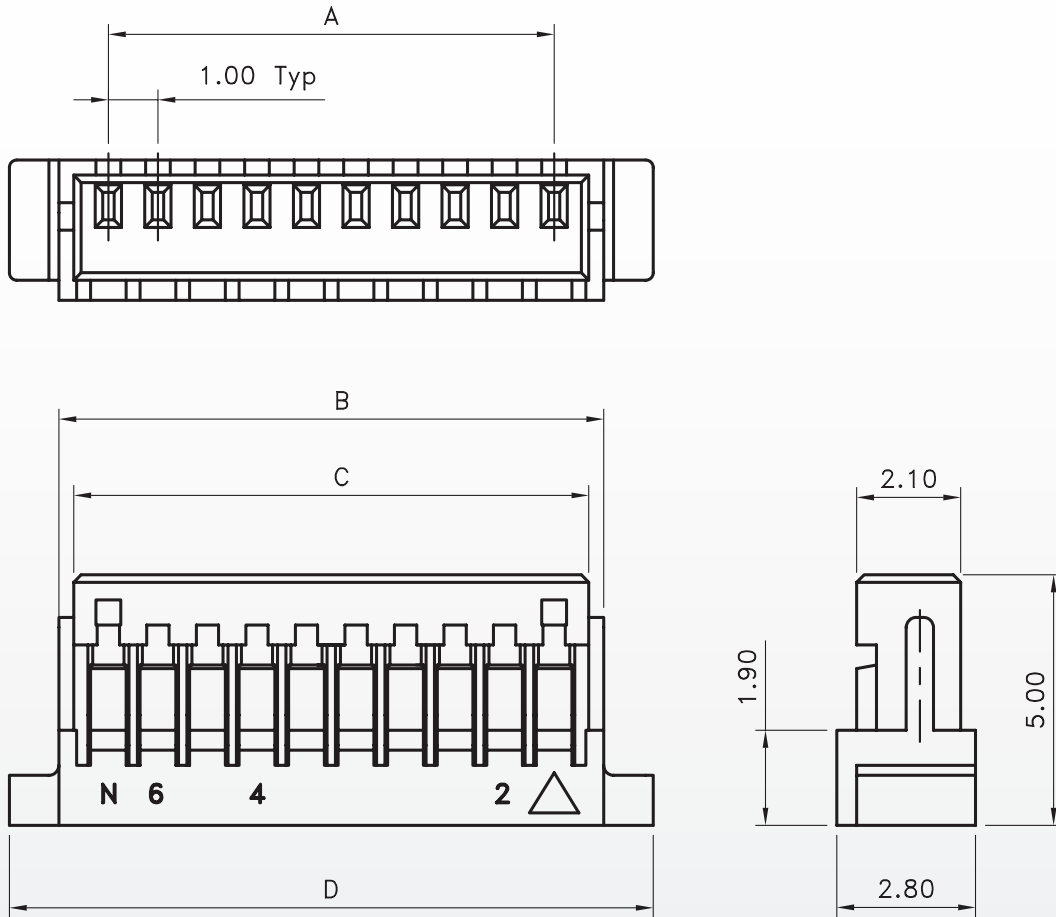
Q'ty : 20,000 pcs/Reel





# 1.00mm (.039") Crimp Style Connectors<SMT>

## Housing JS-1253



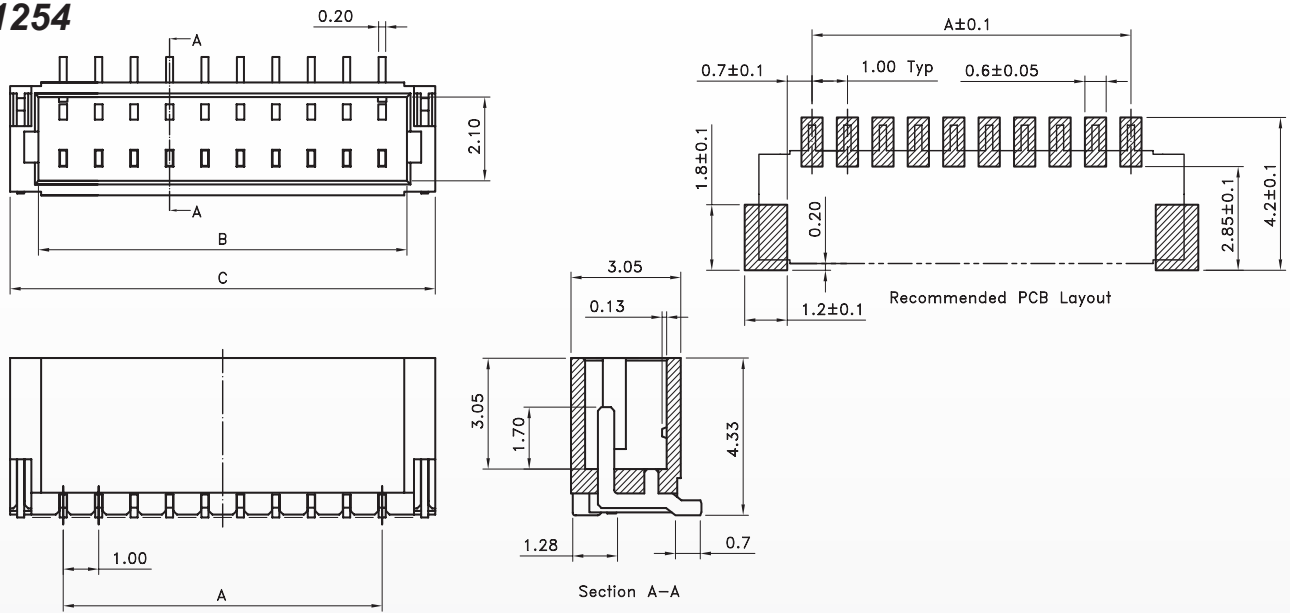
A

Poles	Part No.	Dimensions (mm)			
		A	B	C	D
2	JS-1253-02	1.00	3.00	2.40	5.00
3	JS-1253-03	2.00	4.00	3.40	6.00
4	JS-1253-04	3.00	5.00	4.40	7.00
5	JS-1253-05	4.00	6.00	5.40	8.00
6	JS-1253-06	5.00	7.00	6.40	9.00
7	JS-1253-07	6.00	8.00	7.40	10.00
8	JS-1253-08	7.00	9.00	8.40	11.00
9	JS-1253-09	8.00	10.00	9.40	12.00
10	JS-1253-10	9.00	11.00	10.40	13.00
11	JS-1253-11	10.00	12.00	11.40	14.00
12	JS-1253-12	11.00	13.00	12.40	15.00
13	JS-1253-13	12.00	14.00	13.40	16.00
14	JS-1253-14	13.00	15.00	14.40	17.00
15	JS-1253-15	14.00	16.00	15.40	18.00
16	JS-1253-16	15.00	17.00	16.40	19.00
17	JS-1253-17	16.00	18.00	17.40	20.00
18	JS-1253-18	17.00	19.00	18.40	21.00
19	JS-1253-19	18.00	20.00	19.40	22.00
20	JS-1253-20	19.00	21.00	20.40	23.00
21	JS-1253-21	20.00	22.00	21.40	24.00
22	JS-1253-22	21.00	23.00	22.40	25.00

# 1.00mm (.039") Crimp Style Connectors<SMT>

## Wafer - Straight

### JS-1254

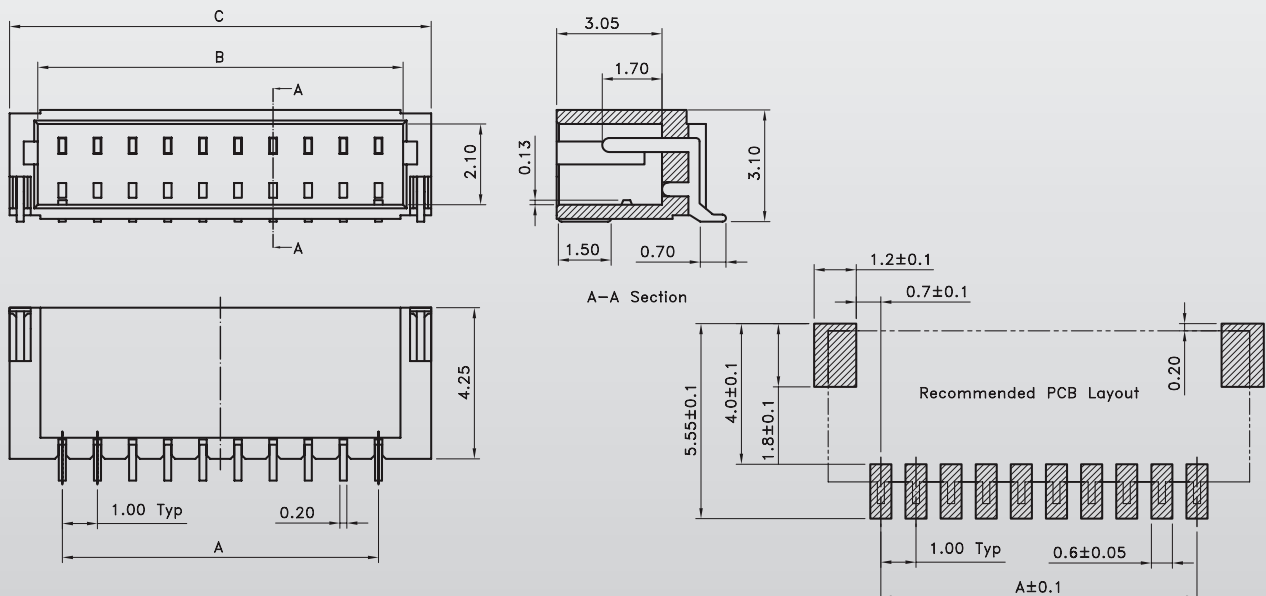


Poles	Part No.	Dimensions (mm)		
		A	B	C
2	JS-1254-02	1.00	2.40	4.00
3	JS-1254-03	2.00	3.40	5.00
4	JS-1254-04	3.00	4.40	6.00
5	JS-1254-05	4.00	5.40	7.00
6	JS-1254-06	5.00	6.40	8.00
7	JS-1254-07	6.00	7.40	9.00
8	JS-1254-08	7.00	8.40	10.00
9	JS-1254-09	8.00	9.40	11.00
10	JS-1254-10	9.00	10.40	12.00
11	JS-1254-11	10.00	11.40	13.00
12	JS-1254-12	11.00	12.40	14.00

Poles	Part No.	Dimensions (mm)		
		A	B	C
13	JS-1254-13	12.00	13.40	15.00
14	JS-1254-14	13.00	14.40	16.00
15	JS-1254-15	14.00	15.40	17.00
16	JS-1254-16	15.00	16.40	18.00
17	JS-1254-17	16.00	17.40	19.00
18	JS-1254-18	17.00	18.40	20.00
19	JS-1254-19	18.00	19.40	21.00
20	JS-1254-20	19.00	20.40	22.00
21	JS-1254-21	20.00	21.40	23.00
22	JS-1254-22	21.00	22.40	24.00

## Wafer - Right Angle

### JS-1254R

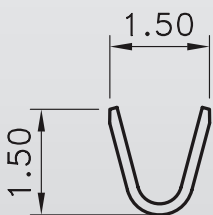
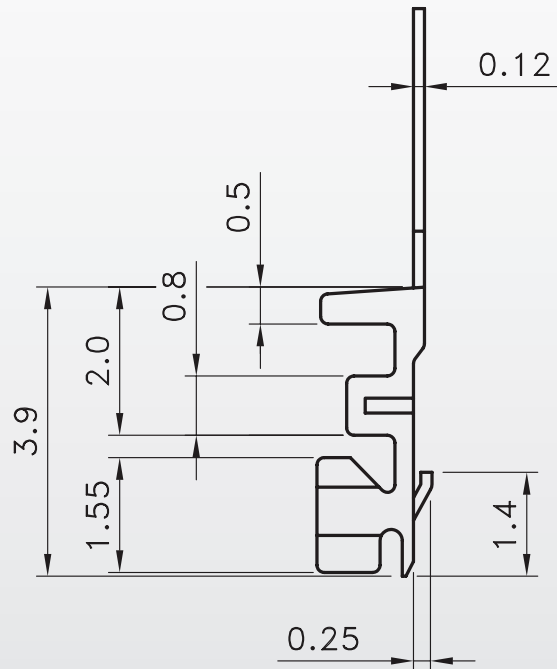
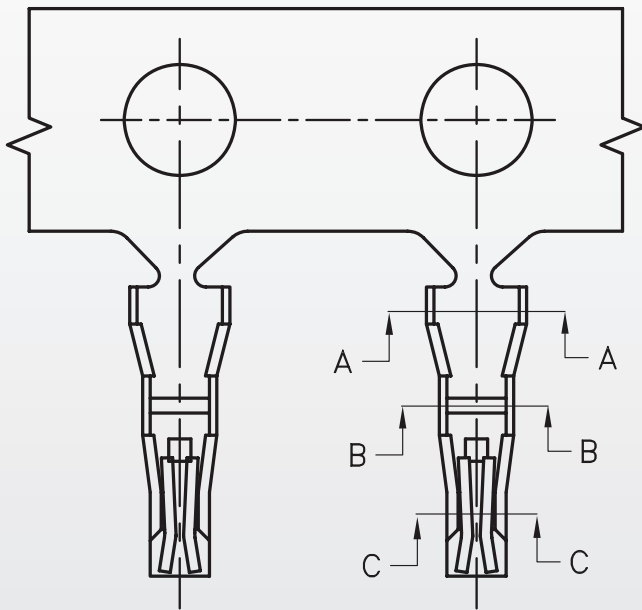


# 1.00mm (.039") Crimp Style Connectors<SMT>

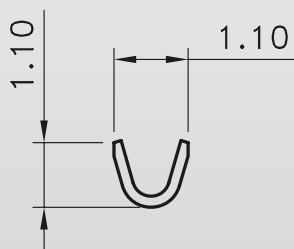
Poles	Part No.	Dimensions (mm)		
		A	B	C
2	JS-1254R-02	1.00	2.40	4.00
3	JS-1254R-03	2.00	3.40	5.00
4	JS-1254R-04	3.00	4.40	6.00
5	JS-1254R-05	4.00	5.40	7.00
6	JS-1254R-06	5.00	6.40	8.00
7	JS-1254R-07	6.00	7.40	9.00
8	JS-1254R-08	7.00	8.40	10.00
9	JS-1254R-09	8.00	9.40	11.00
10	JS-1254R-10	9.00	10.40	12.00
11	JS-1254R-11	10.00	11.40	13.00
12	JS-1254R-12	11.00	12.40	14.00

Poles	Part No.	Dimensions (mm)		
		A	B	C
13	JS-1254R-13	12.00	13.40	15.00
14	JS-1254R-14	13.00	14.40	16.00
15	JS-1254R-15	14.00	15.40	17.00
16	JS-1254R-16	15.00	16.40	18.00
17	JS-1254R-17	16.00	17.40	19.00
18	JS-1254R-18	17.00	18.40	20.00
19	JS-1254R-19	18.00	19.40	21.00
20	JS-1254R-20	19.00	20.40	22.00
21	JS-1254R-21	20.00	21.40	23.00
22	JS-1254R-22	21.00	22.40	24.00

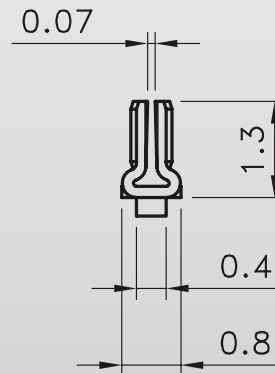
## Terminal JS-1253-T / TG



Section A-A

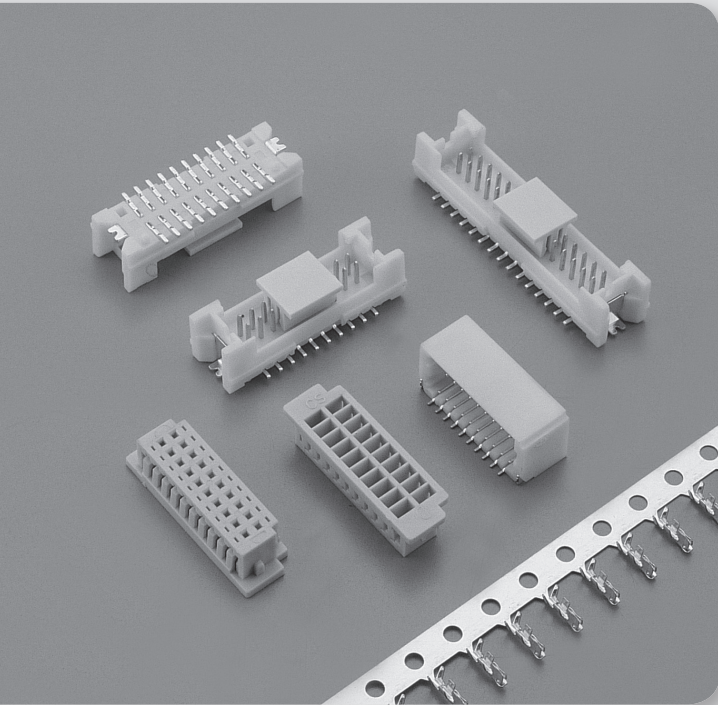


Section B-B



Section C-C

# 1.00mm (.039") Crimp Style Connectors <SMT><Double-Row>



## Specifications

- Voltage Rating : 50V AC/DC
- Current Rating : 1A AC/DC
- Withstanding Voltage : 500V AC/minute
- Insulation Resistance : 100MΩ min.
- Temperature Range : -25°C to + 85°C
- Contact Resistance : 20mΩ max.

## Features:

### ■ HOUSING

Part No. : JS-1253D

Poles : 10X2 ~ 25X2

Material : Nylon 66 UL94V-0

Q'ty : 1,000 pcs/Bag

### ■ WAFER

Part No. : JS-1254D (Straight)

JS-1254DR (Right Angle)

Poles : 10X2 ~ 25X2

Material : Contact : Phos. Bronze

Finish : Tin Plated, Gold Plated,

Base : Nylon PA9T UL94V-0

(for JS-1254D)

Nylon PA6T UL94V-0

(for JS-1254DR)

Q'ty : 1,000 pcs/Tape & Reel

### ■ TERMINAL

Part No. : JS-1253-T, JS-1253-TG

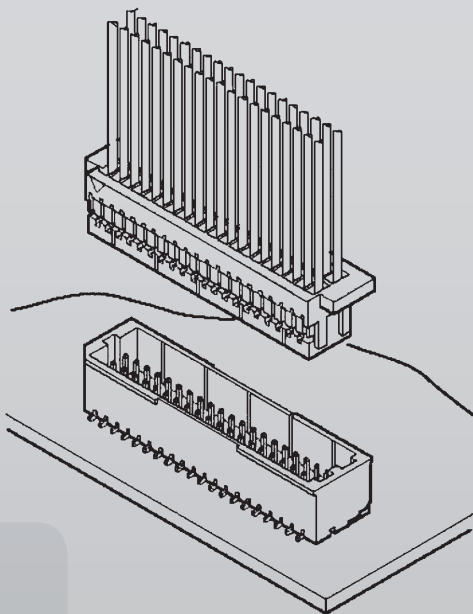
Applicable Wires : AWG# 28-32

Material : Phos. Bronze

Finish : Tin Plated, Gold Plated

Thickness : 0.12mm

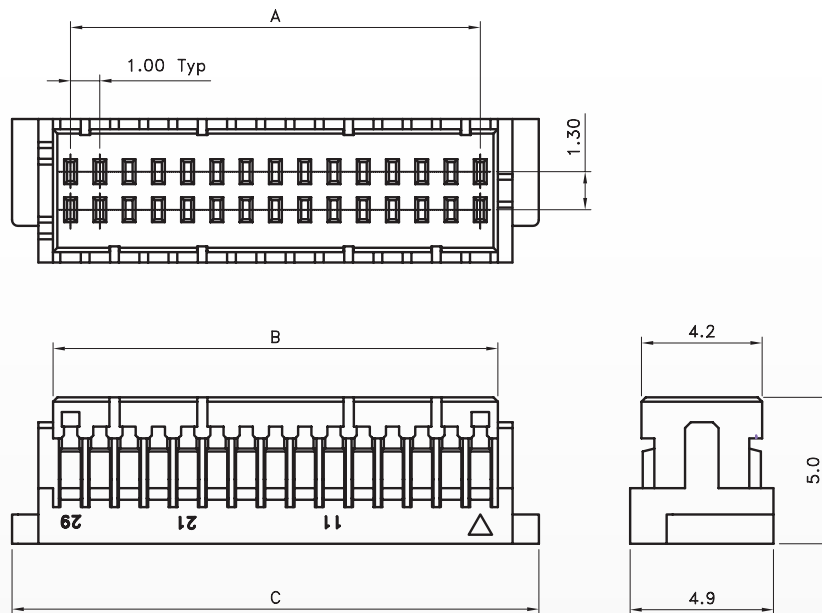
Q'ty : 20,000 pcs/Reel





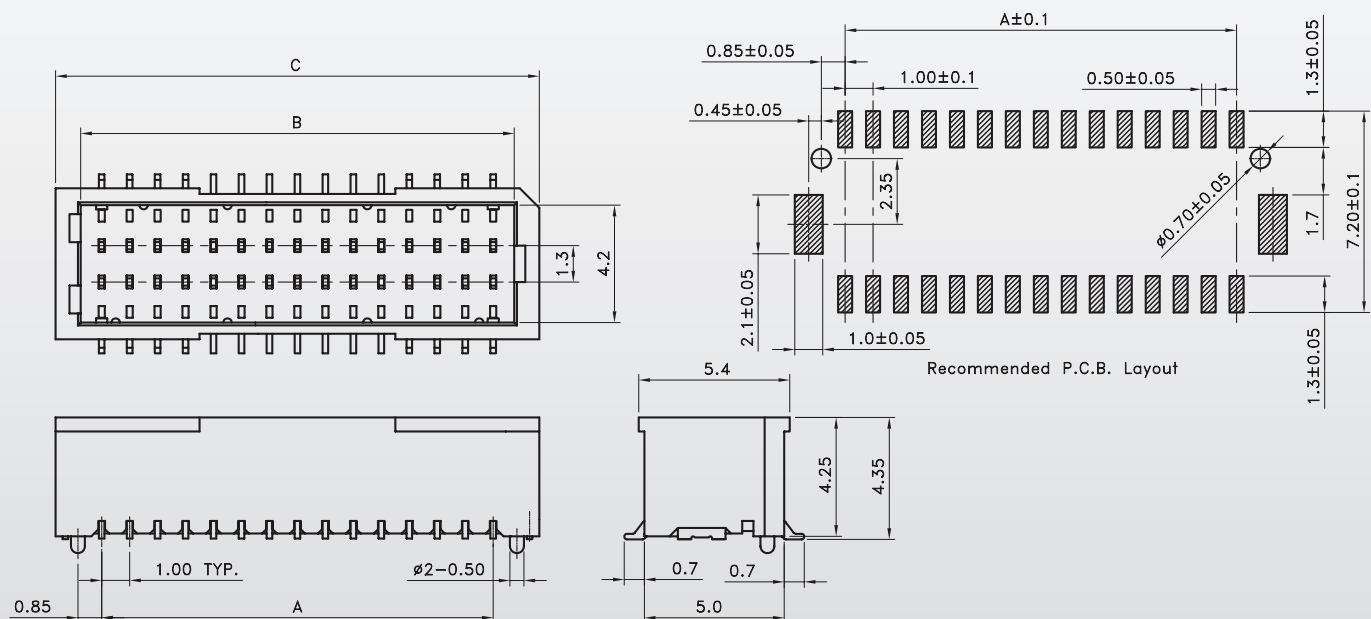
# 1.00mm (.039") Crimp Style Connectors <SMT><Double-Row>

## Housing JS-1253D



## Wafer - straight JS-1254D

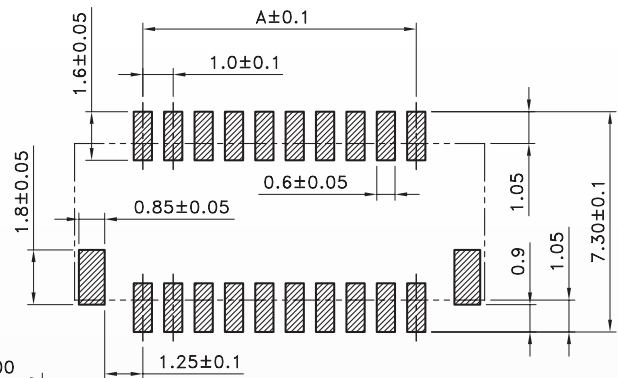
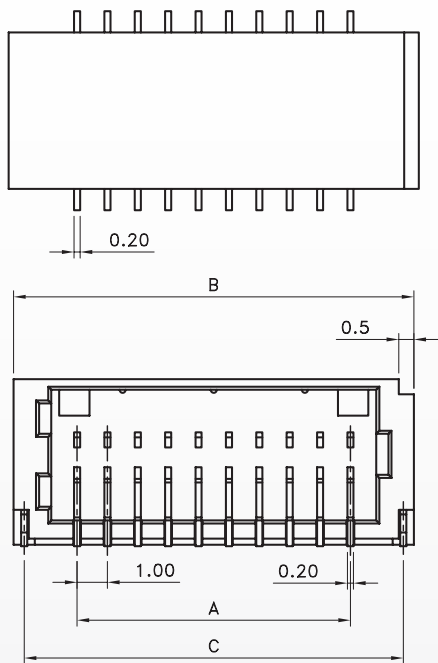
Poles	Part No.	Dimensions (mm)		
		A	B	C
20	JS-1253D-10x2	9.00	10.20	13.00
30	JS-1253D-15x2	14.00	15.20	18.00
40	JS-1253D-20x2	19.00	20.20	23.00
50	JS-1253D-25x2	24.00	25.20	28.00



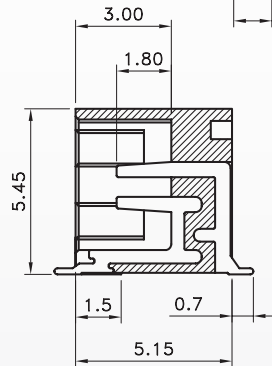
Poles	Part No.	Dimensions (mm)		
		A	B	C
20	JS-1254D-10x2	9.00	10.50	12.30
30	JS-1254D-15x2	14.00	15.50	17.30
40	JS-1254D-20x2	19.00	20.50	22.30
50	JS-1254D-25x2	24.00	25.50	27.30

# 1.00mm (.039") Crimp Style Connectors <SMT><Double-Row>

## Wafer - Right Angle JS-1254DR

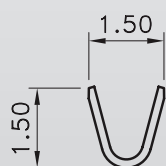
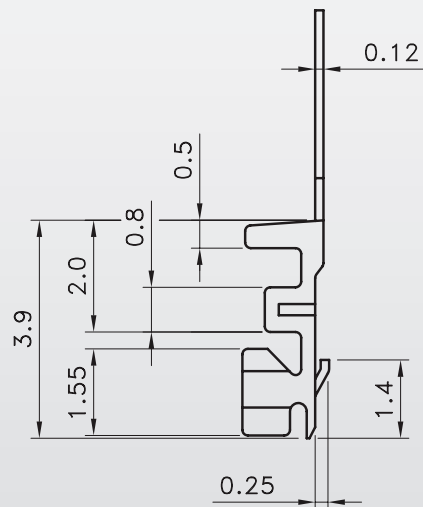
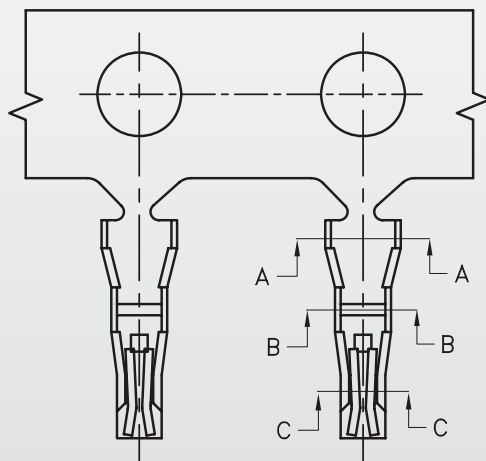


Recommended P.C.B. Layout

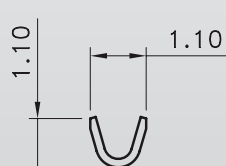


Poles	Part No.	Dimensions (mm)		
		A	B	C
20	JS-1254DR-10X2	9.00	13.10	12.35
30	JS-1254DR-15x2	14.00	18.10	17.35
40	JS-1254DR-20x2	19.00	23.10	22.35
50	JS-1254DR-25x2	24.00	28.10	27.35

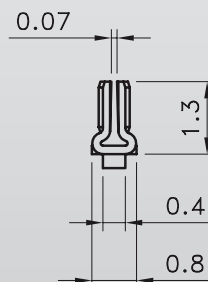
## Terminal JS-1253-T / TG



Section A-A

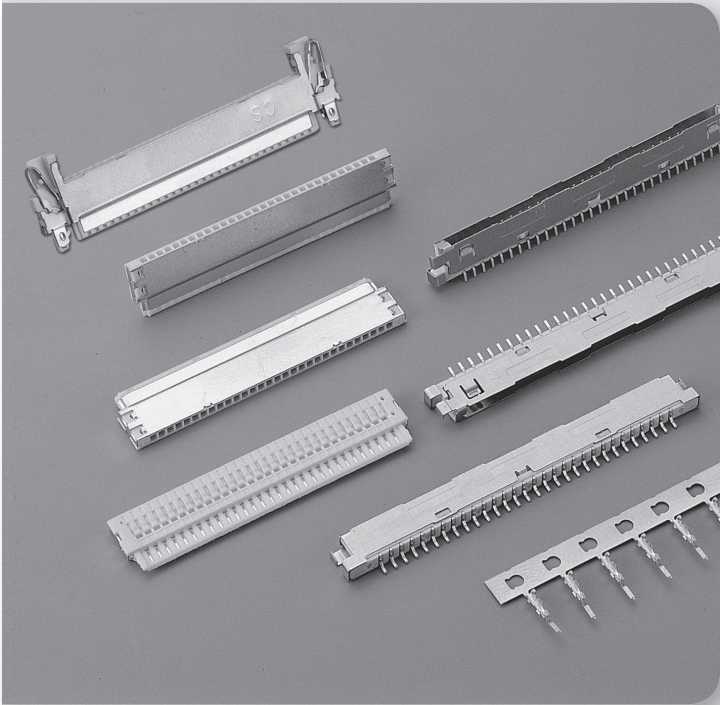


Section B-B



Section C-C

# 1.00mm (.039") Crimp Style Connectors<SMT>



## Specifications

- Voltage Rating : 200V AC/DC
- Current Rating : 1A AC/DC
- Withstanding Voltage : 500V AC/minute
- Insulation Resistance : 100MΩ min.
- Temperature Range : -40°C to + 80°C
- Contact Resistance : 40mΩ max.

## Features:

### ■ HOUSING

Part No. : JS-1266

JS-1276 (With Lock Lever)

Poles : 20, 30

Material : Shell : Stainless Steel

Base : PA46 UL 94V-0

Q,ty : 125 pcs./Tray ( for JS-1276-30)

Q,ty : 200 pcs./Tray ( for JS-1266-30)

### ■ WAFER

Part No. : JS-1267

Poles : 20, 30

Material : Contact : Phos. Bronze

Base : PA46 UL 94V-0

Shell : Stainless steel

Finish : Tin Plated, Gold plated

Q'ty : 2000 pcs./Reel

### ■ TERMINAL

Part No. : JS-1266-T / TG

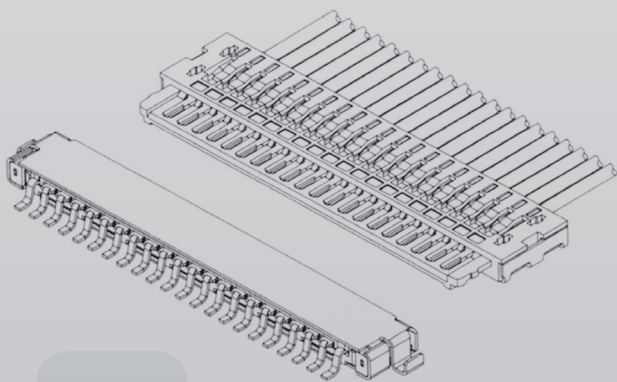
Applicable Wires : AWG# 30-36

Material : Phos. Bronze

Finish : Tin Plated or Gold Plated

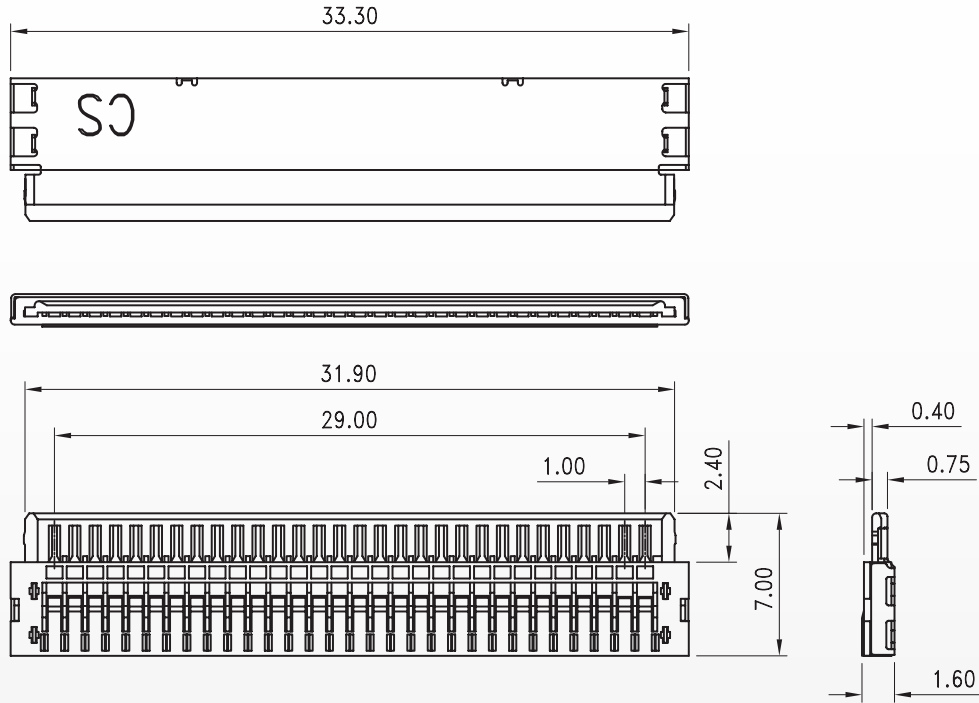
Thickness : 0.15mm

Q'ty : 20,000 pcs/Reel

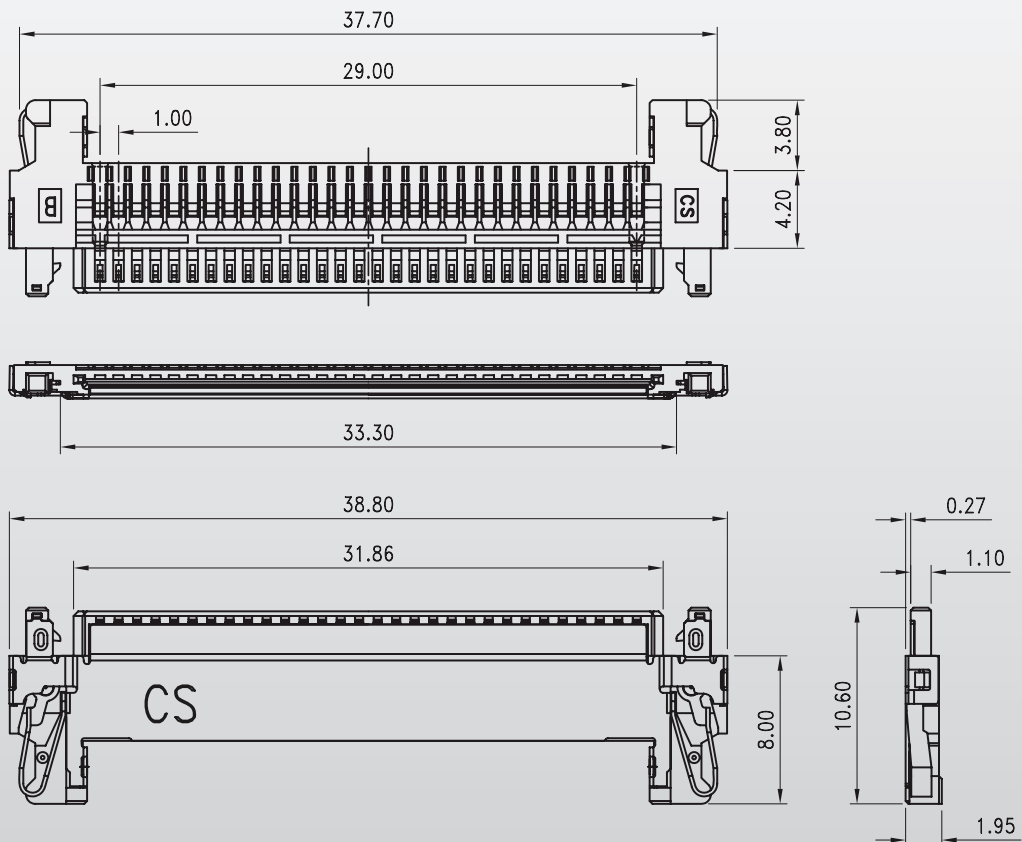


# 1.00mm (.039") Crimp Style Connectors<SMT>

## Housing JS-1266



## Housing - With Look Lever JS-1276

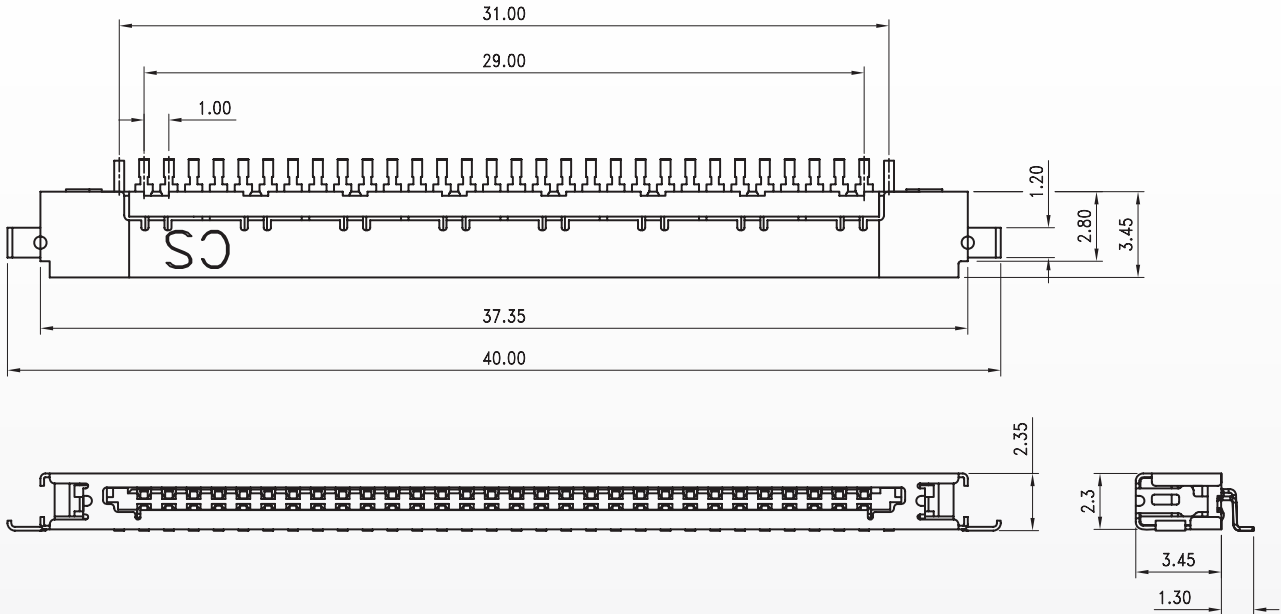




# 1.00mm (.039") Crimp Style Connectors<SMT>

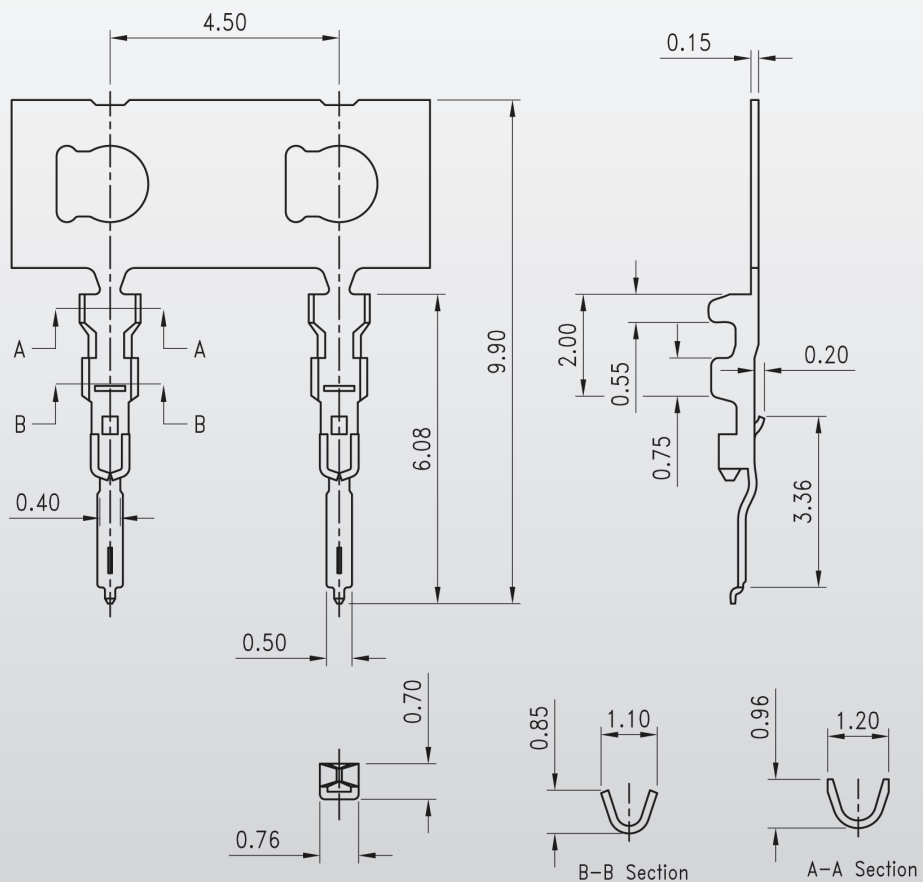
## Wafer

JS-1267-30



## Terminal

JS-1266-T



# 1.00mm (.039") Crimp Style Connectors<SMT>

## Specifications

- Voltage Rating : 200V AC/DC
- Current Rating : 1A AC/DC
- Withstanding Voltage : 500V AC/minute
- Insulation Resistance : 100M $\Omega$  min.
- Temperature Range : -25°C to + 85°C
- Contact Resistance : 20m $\Omega$  max.

## Features:

### ■ HOUSING

Part No. : JS-1286-30

Poles : 30

Material : Base : Nylon 46 UL94V-0

Shell : Stainless Steel

Q'ty : 100 pcs./Bag

### ■ TERMINAL (Please See Page A14)

Part No. : JS-1266-T / TG

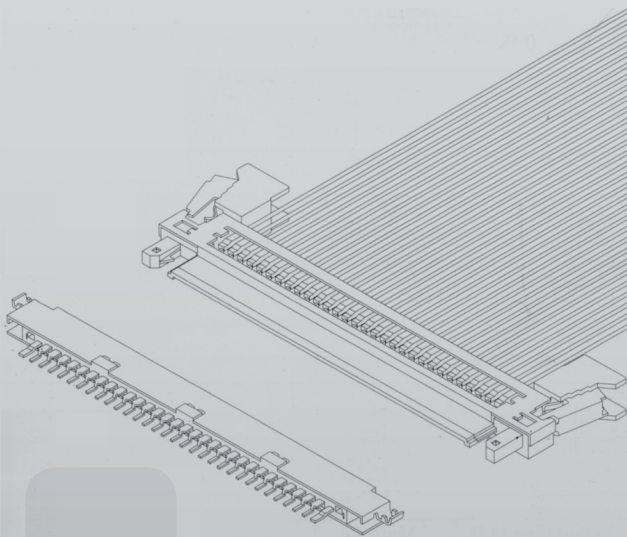
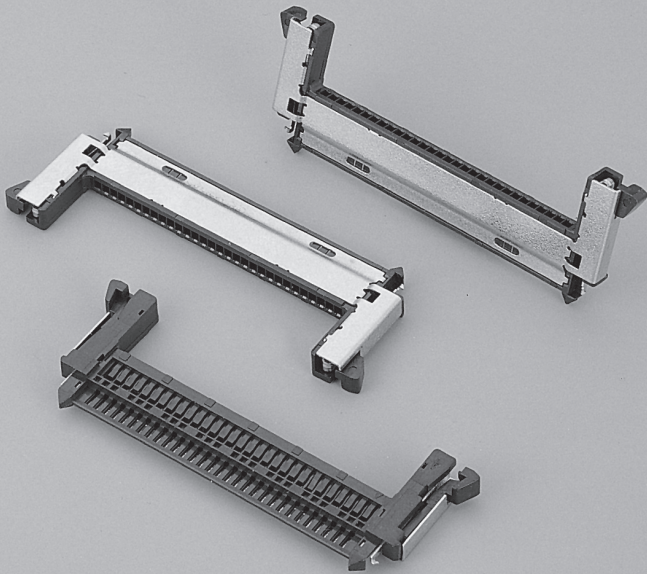
Applicable Wires : AWG# 30-36

Material : Phos. Bronze

Finish : Tin Plated or Gold Plated

Thickness : 0.15mm

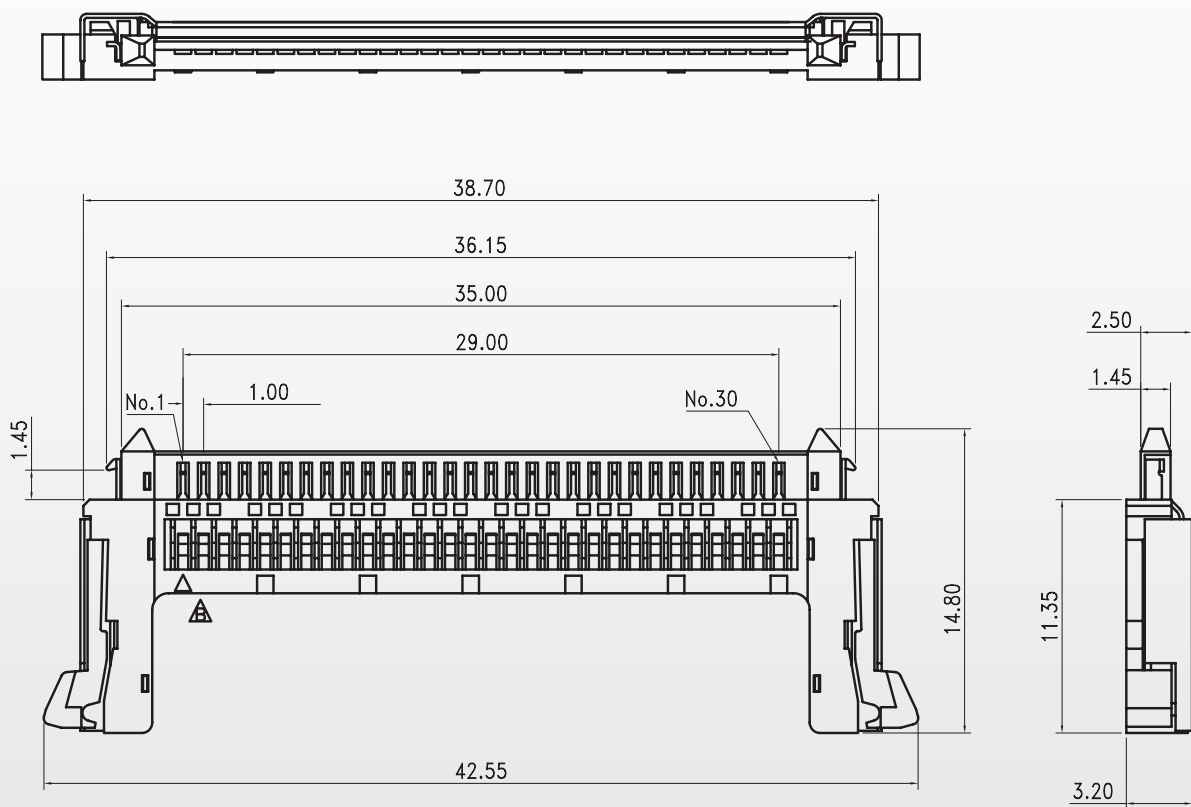
Q'ty : 20,000 pcs/Reel



# 1.00mm (.039") Crimp Style Connectors<SMT>

## Housing JS-1286

A



# 1.00mm (.039") Crimp Style Connectors<SMT>

## Specifications

- Voltage Rating : 100V AC/DC
- Current Rating : 1A AC/DC
- Withstanding Voltage : 300V AC/minute
- Insulation Resistance : 500M $\Omega$  min.
- Temperature Range : -25°C to + 85°C
- Contact Resistance : 30m $\Omega$  max.

## Features:

### ■ HOUSING

Part No. : JS-1011-20

Poles : 20

Material : Base : PA46 UL94V-0

Nail : Phos. Bronze, Tin plated

Q,ty : 500 pcs./Box

### ■ TERMINAL

Part No. : JS-1011-T / TG

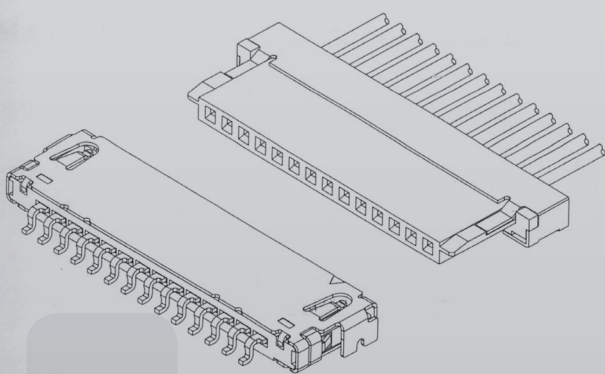
Applicable Wires : AWG# 28-32

Material : Phosr. Bronze

Finish : Tin / Gold Plated

Thickness : 0.15mm

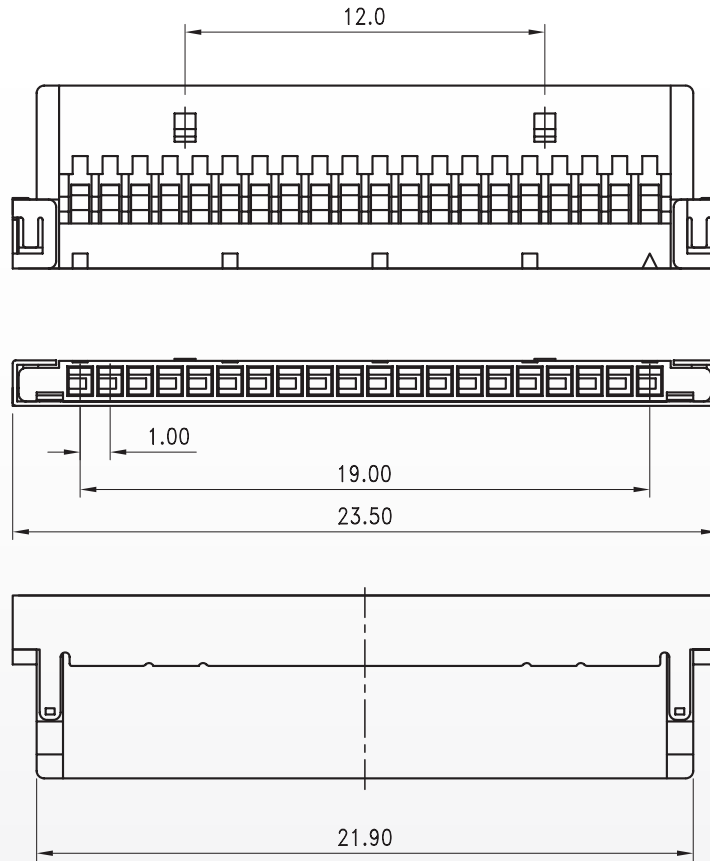
Q'ty : 15,000 pcs/Reel



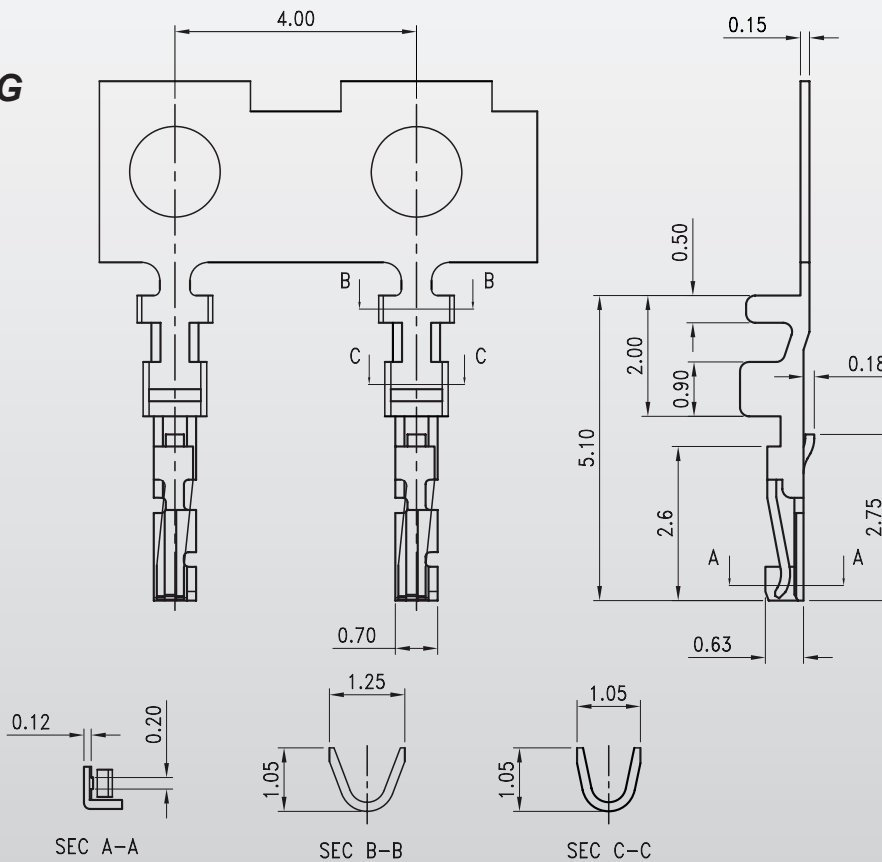


# 1.00mm (.039") Crimp Style Connectors<SMT>

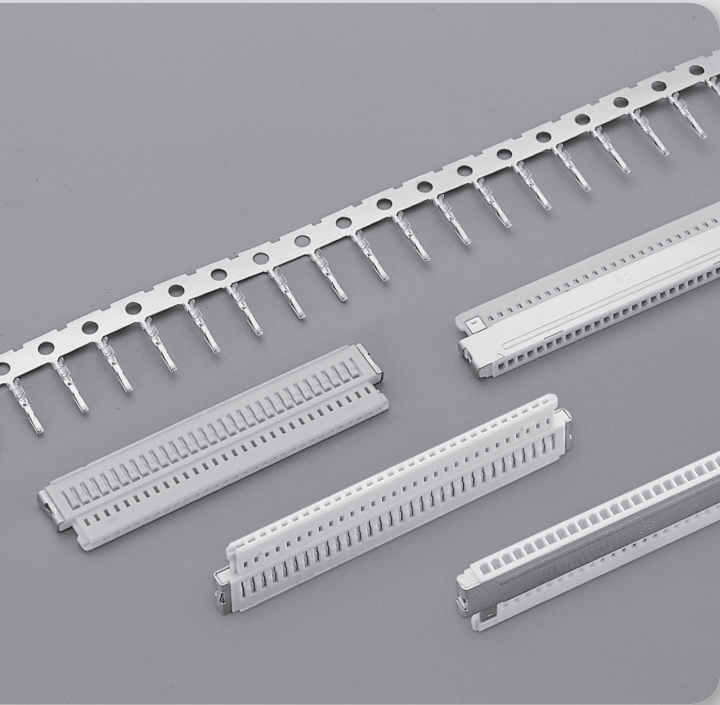
## Housing JS-1011-20



## Terminal JS-1011-T / TG



# 1.00mm (.039") Crimp Style Connectors<SMT>

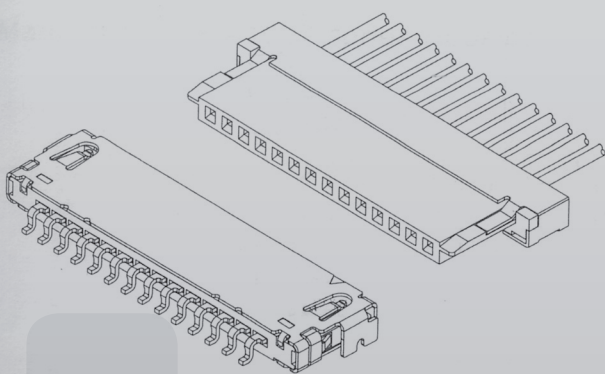


## Specifications

- Voltage Rating : 200V AC/DC
- Current Rating : 1A AC/DC
- Withstanding Voltage : 500V AC/minute
- Insulation Resistance : 100M $\Omega$  min.
- Temperature Range : -25°C to + 85°C
- Contact Resistance : 40m $\Omega$  max.

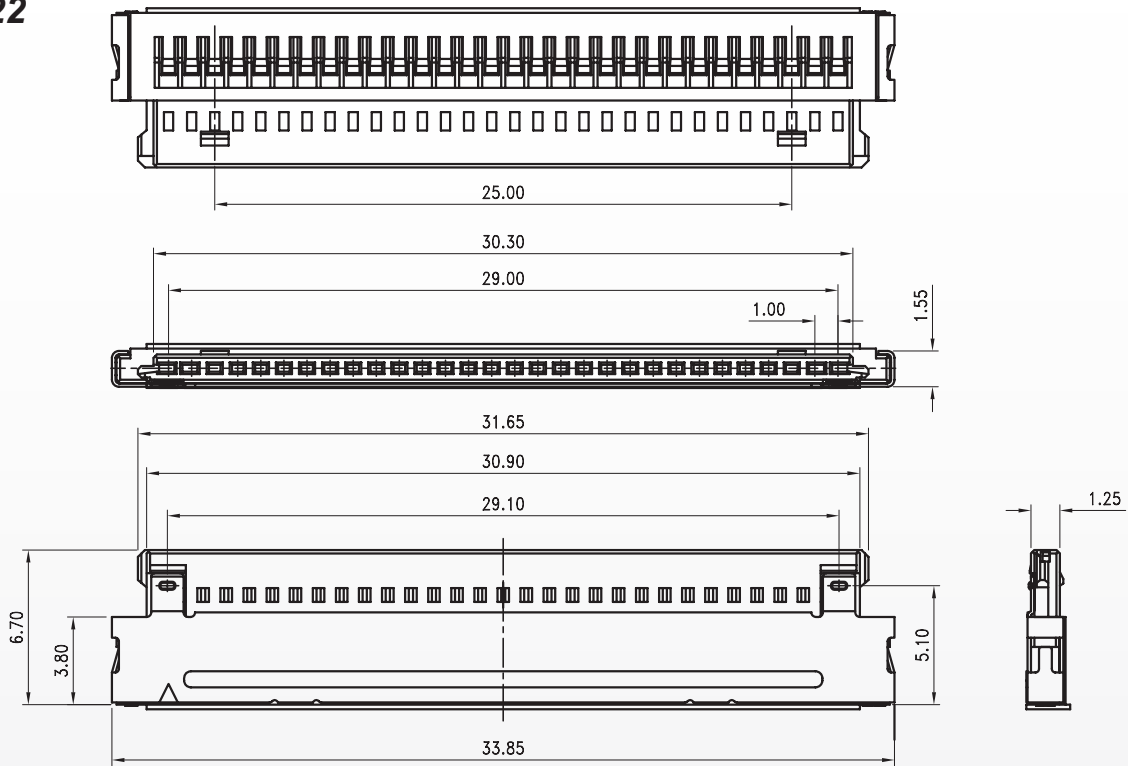
## Features:

- HOUSING
  - Part No. : JS-1022-30
  - Poles : 30
  - Material : Housing : PA46 UL94V-0
  - Shell : Stainless Steel
  - Q'ty : 200 pcs/Box
- TERMINAL
  - Part No. : JS-1022-T / TG
  - Applicable Wires : AWG# 28-32
  - Material : Phosphor. Bronze
  - Finish : Tin Plated or Gold Plated
  - Thickness : 0.15mm
  - Q'ty : 15,000 pcs/Reel

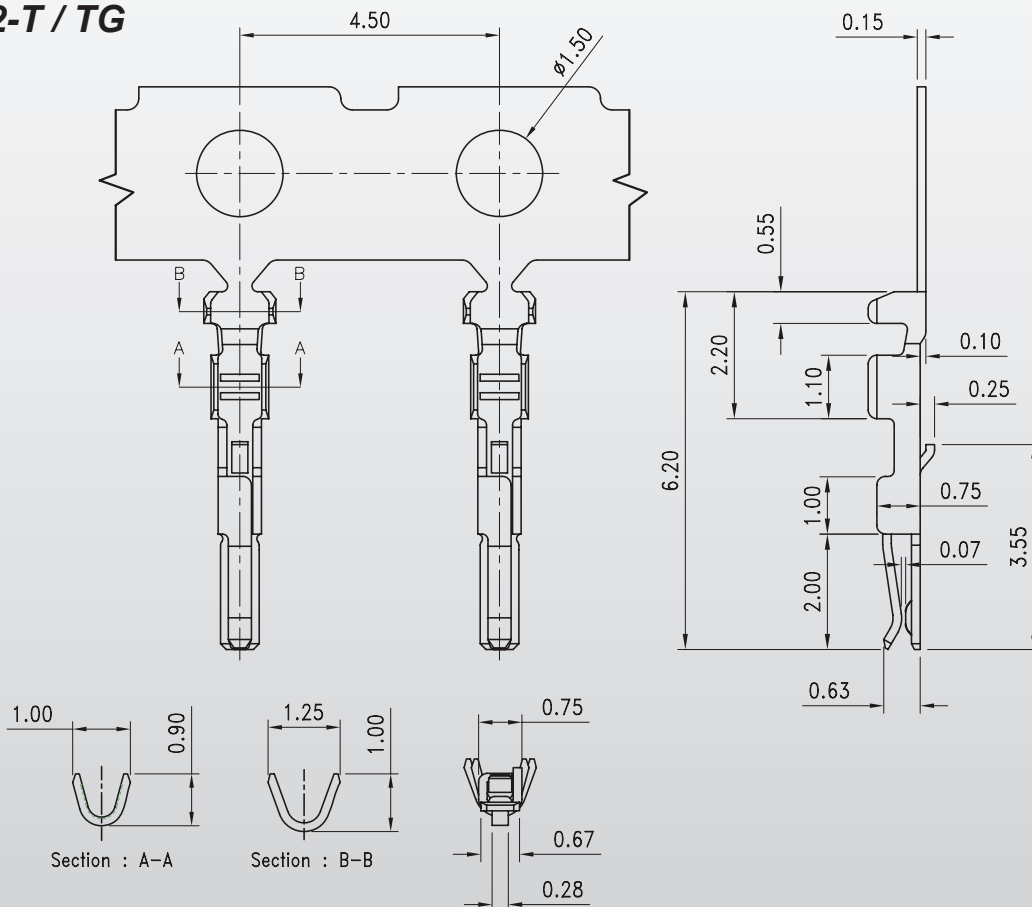


# 1.00mm (.039") Crimp Style Connectors<SMT>

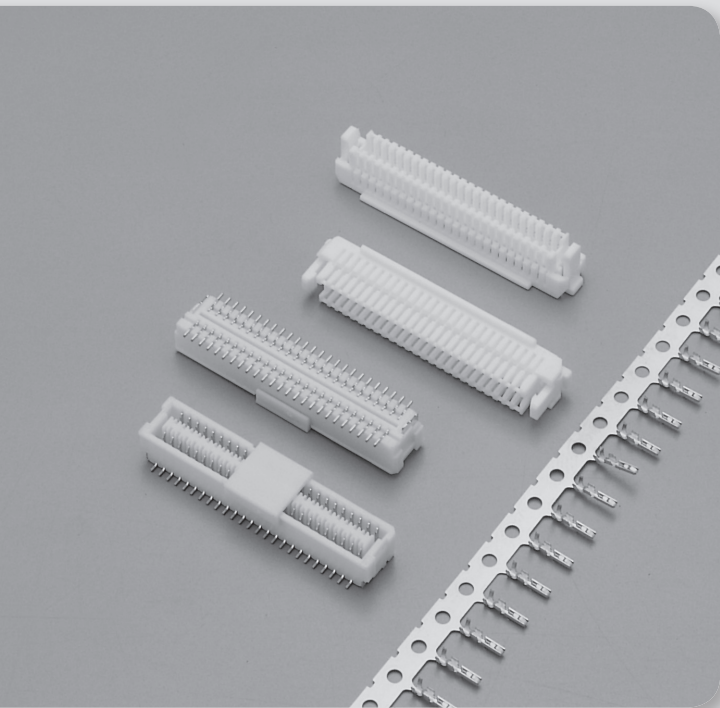
## Housing JS-1022



## Terminal JS-1022-T / TG



# 1.00mm (.039") Crimp Style Connectors<SMT><Double-Row>



## Specifications

- Voltage Rating : 50V AC/DC
- Current Rating : 1A AC/DC
- Withstanding Voltage : 1000V AC/minute
- Insulation Resistance : 1000MΩ min.
- Temperature Range : -25°C to + 85°C
- Contact Resistance : 20mΩ max.

## Features:

### ■ HOUSING

Part No. : JS-1288-XX

Poles : 20, 30, 40, 50

Material : PBT UL94V-0

Q'ty : 1,000 pcs/Bag

### ■ WAFER

Part No. : JS-1289-XX

Poles : 20, 30, 40, 50

Material : Contact : Phos. Bronze ;  
Gold Plated

Base : Nylon PA9T UL94V-0

Q'ty : 1,000 pcs/Tape & Reel

### ■ TERMINAL

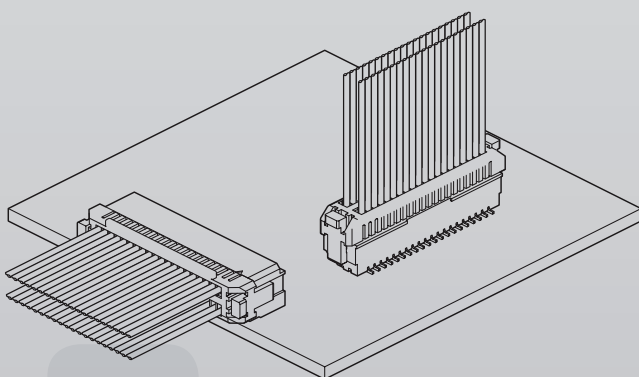
Part No. : JS-1288-TG

Applicable Wires : AWG# 28-32

Material : Phos. Bronze ; Gold Plated

Thickness : 0.12mm

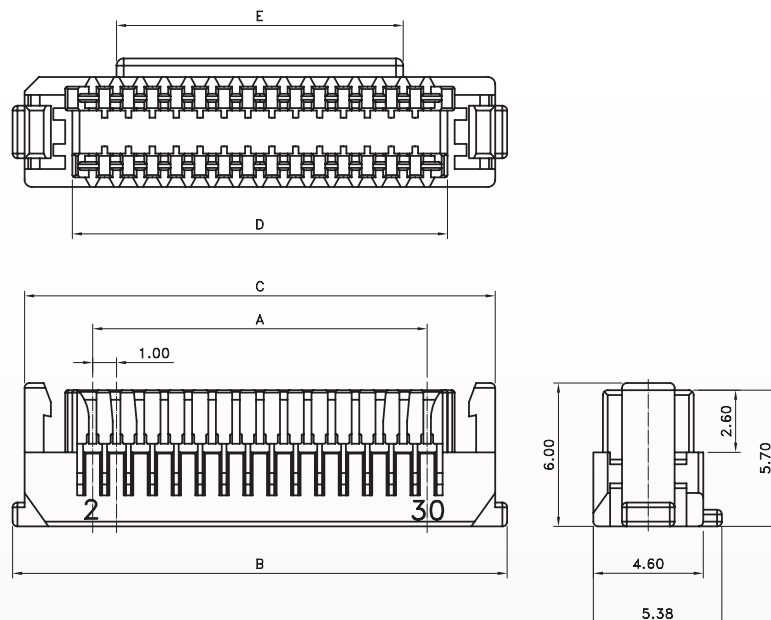
Q'ty : 10,000 pcs/Reel





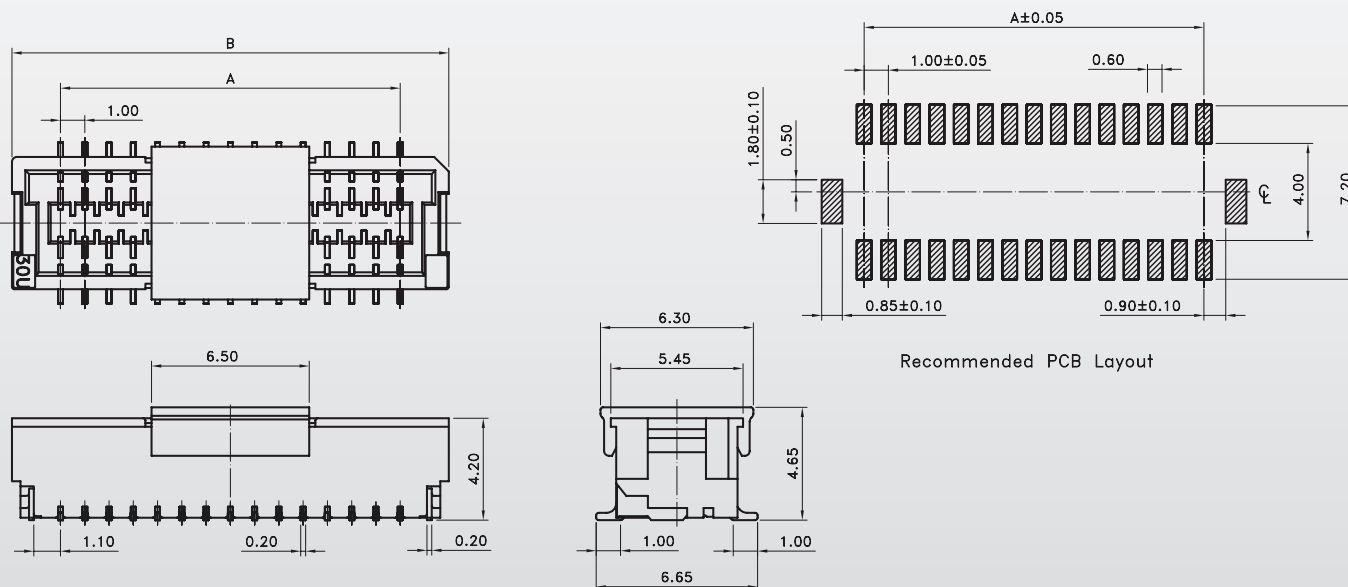
# 1.00mm (.039") Crimp Style Connectors<SMT><Double-Row>

## Housing JS-1288



Part No.	Dimensions (mm)				
	A	B	C	D	E
JS-1288-20	9.00	15.70	14.70	10.70	7.00
JS-1288-30	14.00	20.70	19.70	15.70	12.00
JS-1288-40	19.00	25.70	24.70	20.70	17.00
JS-1288-50	24.00	30.70	29.70	25.70	22.00

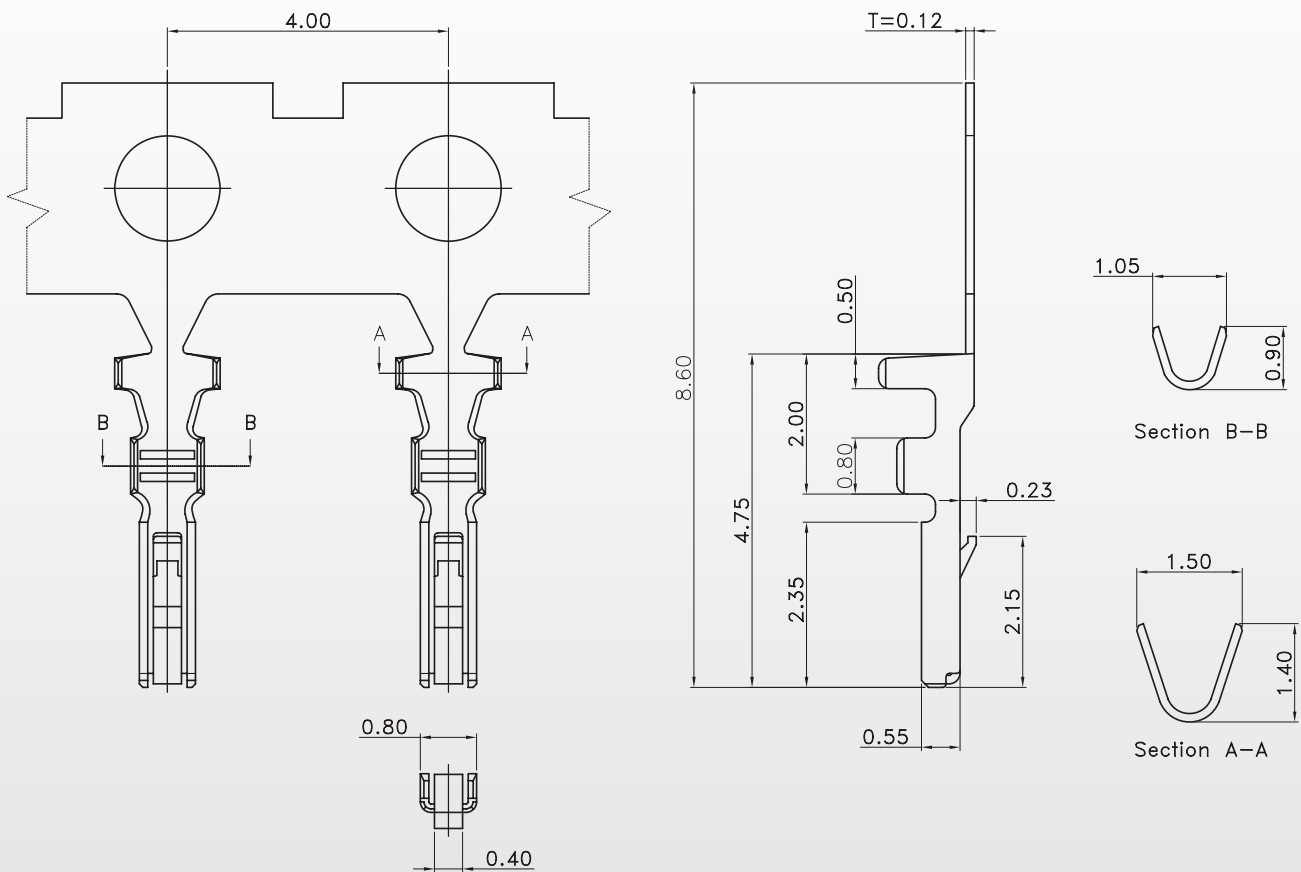
## Wafer JS-1289



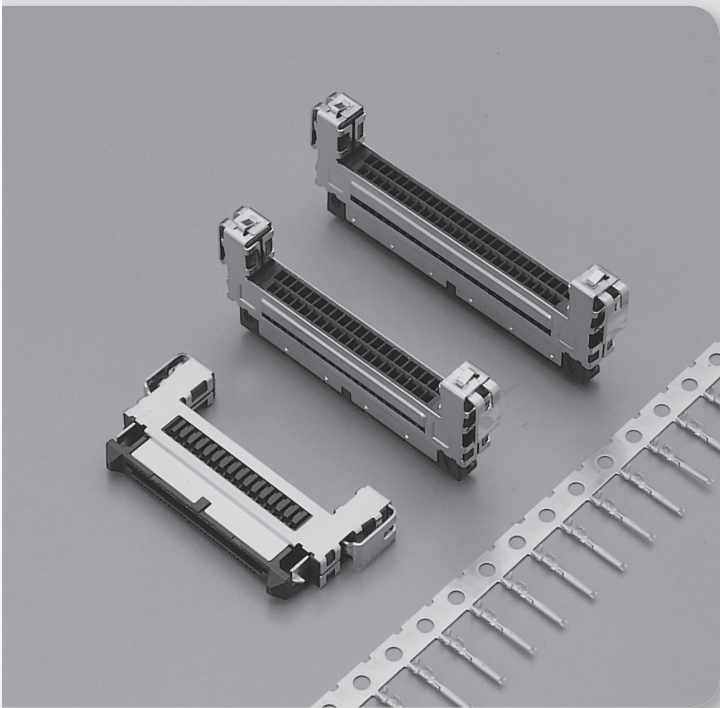
Poles	Part No.	Dimensions (mm)	
		A	B
20	JS-1289-10X2	9.00	13.00
30	JS-1289-15X2	14.00	18.00
40	JS-1289-20X2	19.00	23.00
50	JS-1289-25X2	24.00	28.00

# 1.00mm (.039") Crimp Style Connectors<SMT><Double-Row>

**Terminal**  
**JS-1288-TG**



# 1.00mm (.039") Crimp Style Connectors<SMT><Double-Row>



## Specifications

- Voltage Rating : 100V AC/DC
- Current Rating : 0.5A AC/DC
- Withstanding Voltage : 300V AC/minute
- Insulation Resistance : 500MΩ min.
- Temperature Range : -40°C to + 85°C
- Contact Resistance : 60mΩ max.

## Features:

### ■ HOUSING

Part No. : JS-2015

Poles : 31, 41, 51

Material : Base : Nylon PA46 ,UL94V-0

Metal latch - locks (with shields) :

Stainless Steel

Q,ty : 120 pcs/ Tyay

### ■ TERMINAL

Part No. : JS-2015-TG1

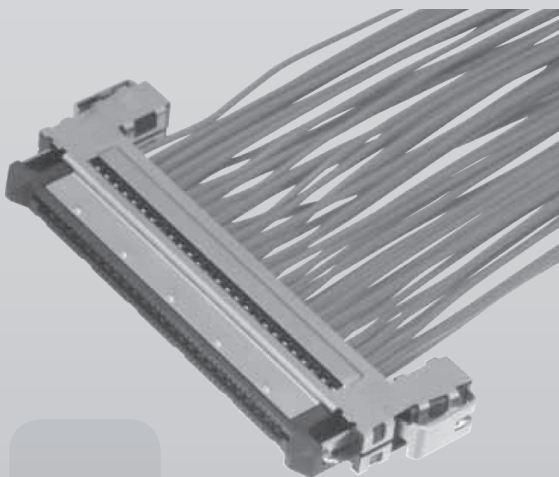
Applicable Wires : AWG# 30-32

Material : Phos. Bronze

Finish : Au>3μ Ni>30μ

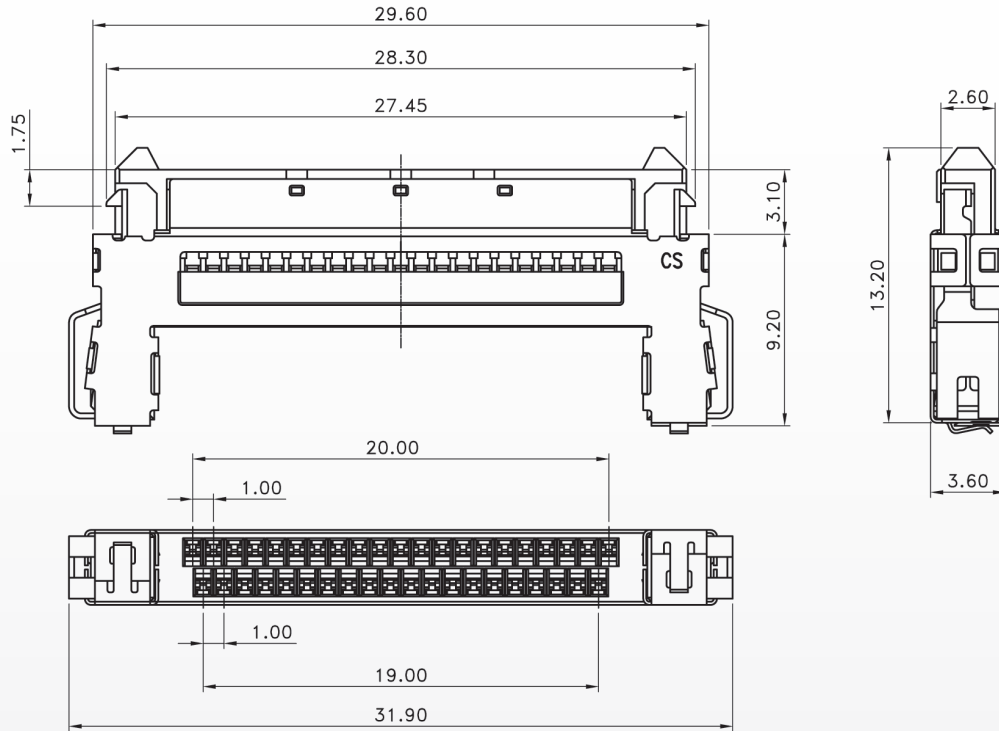
Thickness : 0.15mm

Q'ty : 15,000 pcs/Reel

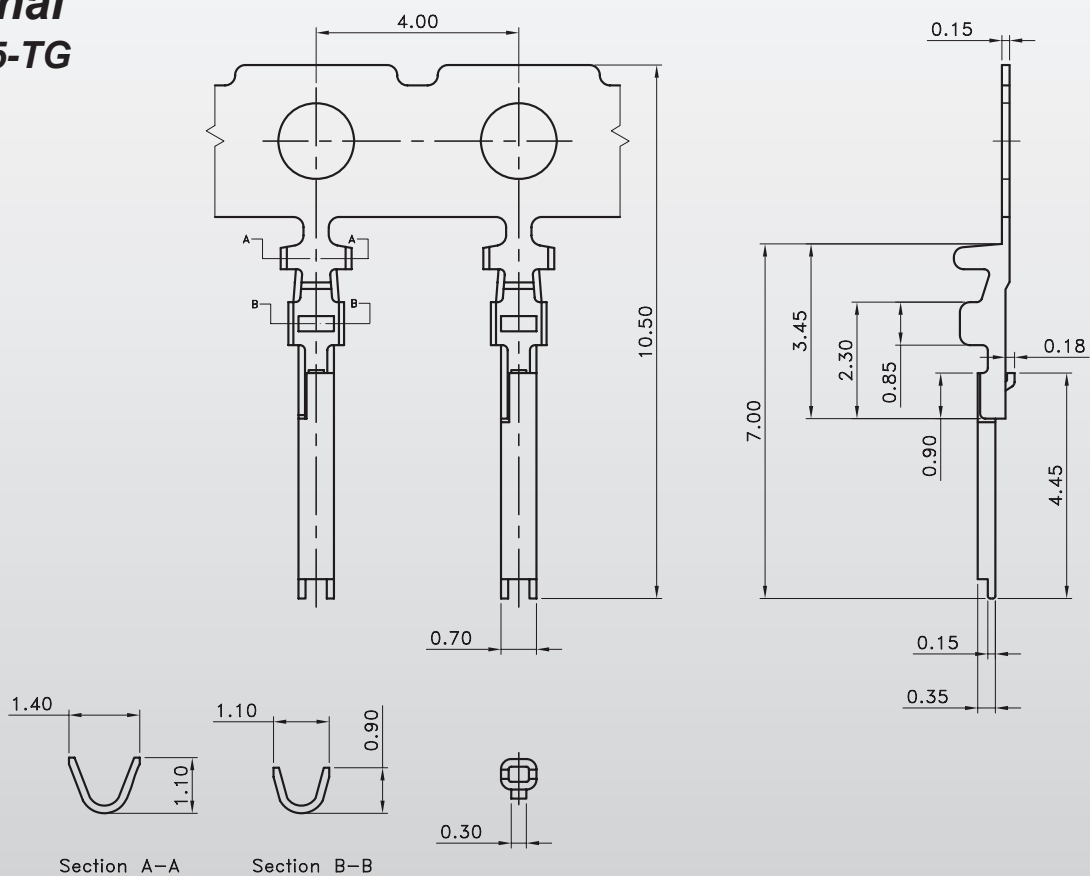


# 1.00mm (.039") Crimp Style Connectors<SMT><Double-Row>

## Housing JS-2015



## Terminal JS-2015-TG





# 1.25mm (.049") Crimp Style Connectors

## Specifications

- Voltage Rating : 150V AC/DC
- Current Rating : 1A AC/DC
- Withstanding Voltage : 500V AC/minute
- Insulation Resistance : 500MΩ min.
- Temperature Range : -35°C to + 85°C
- Contact Resistance : 30mΩ max.

## Features:

### ■ HOUSING

Part No. : JS-1245-XX

Poles : 2 - 15

Material : Nylon 66 UL94V-0

Q,ty : 1,000 pcs/Bag

### ■ WAFER

Part No. : JS-1246-XX (Straight , SMT Type)

JS-1246R-XX (Right Angle, SMT Type)

JS-1247-XX (Straight , DIP Type)

JS-1247R-XX (Right Angle, DIP Type)

Poles : 2 - 15

Material : Contact : Brass, Tin plated (Dip Type)

Gold plated (SMT Type)

Base : Nylon 6T UL94V-0

(for JS-1246,JS-1246R)

Nylon 66 UL94V-0

(for JS-1247,JS-1247R)

Q'ty : 1,000 pcs./Reel (for JS-1246,JS-1246R)

1,000 pcs./Bag (for JS-1247,JS-1247R)

### ■ TERMINAL

Part No. : JS-1255-T,JS-1255-T(G)

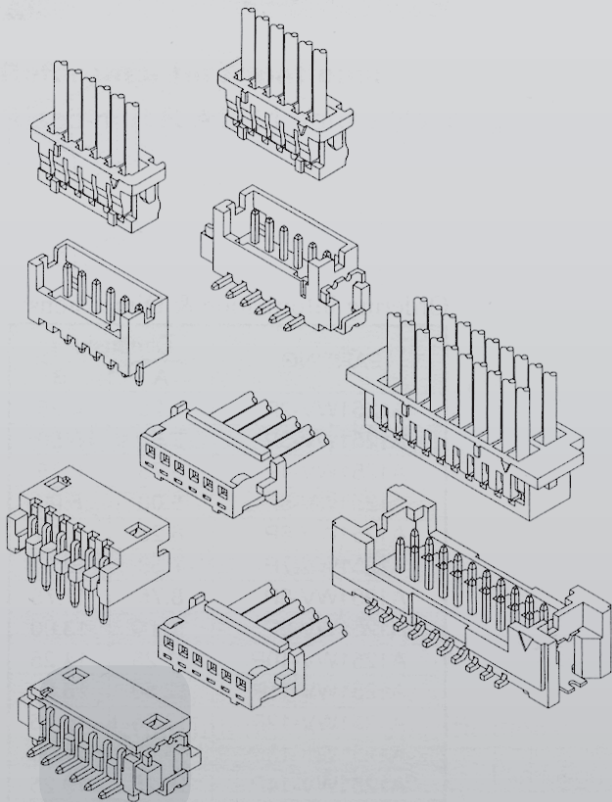
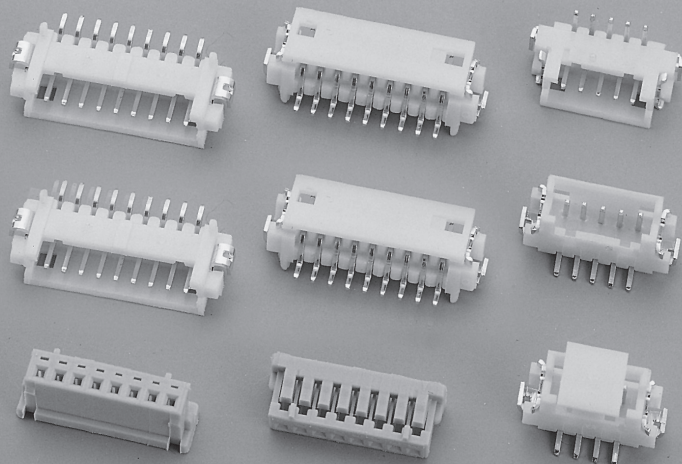
Applicable Wires : AWG# 28-32

Material : Phos. Bronze

Finish : Tin Plated, Gold Plated

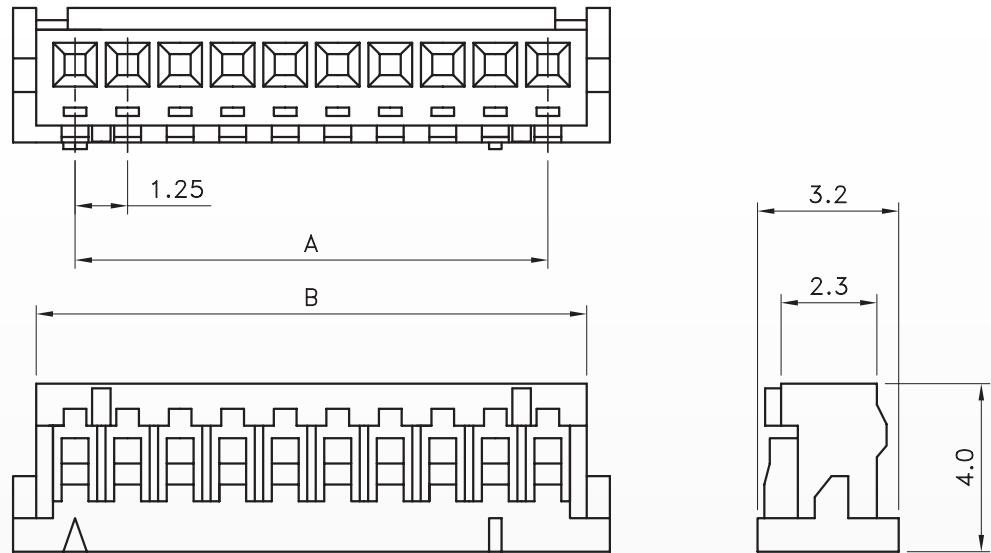
Thickness : 0.15mm

Q'ty : 15,000 pcs/Reel



# 1.25mm (.049") Crimp Style Connectors

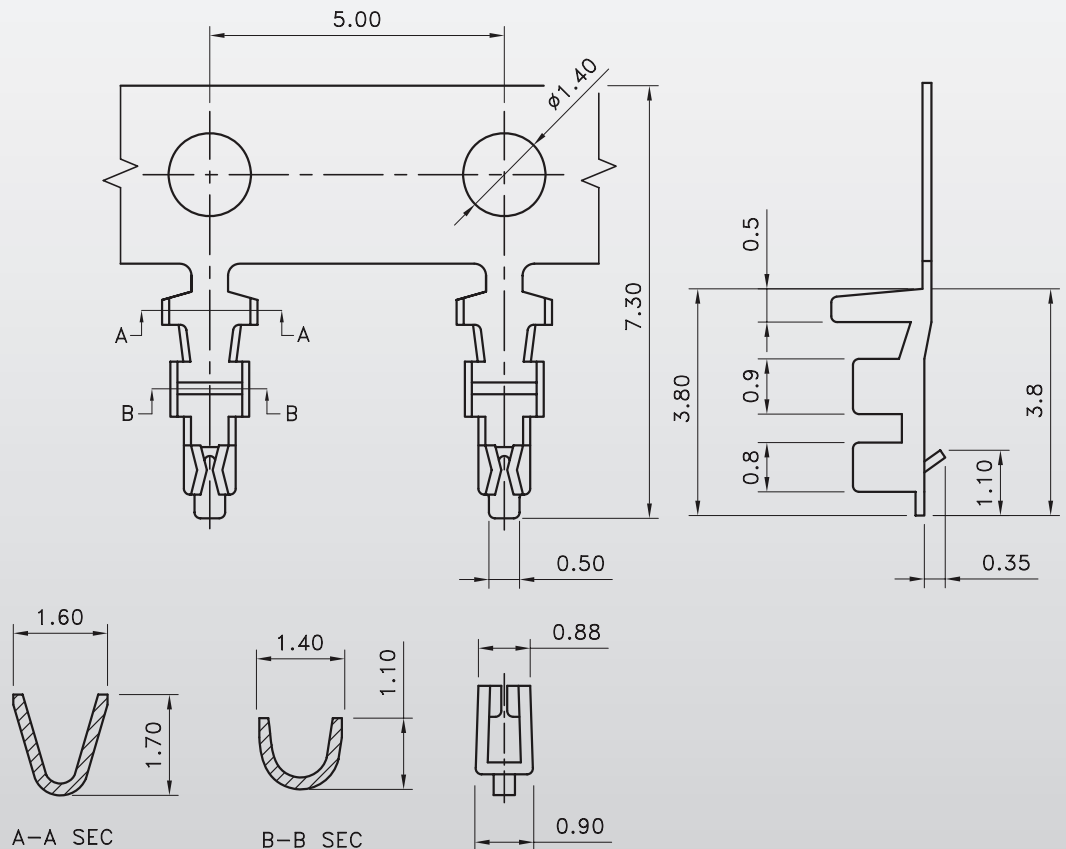
## Housing JS-1245



Poles	Part No.	Dimensions (mm)	
		A	B
2	JS-1245-02	1.25	3.05
3	JS-1245-03	2.50	4.30
4	JS-1245-04	3.75	5.55
5	JS-1245-05	5.00	6.80
6	JS-1245-06	6.75	8.05
7	JS-1245-07	7.50	9.30
8	JS-1245-08	8.75	10.55

Poles	Part No.	Dimensions (mm)	
		A	B
9	JS-1245-09	10.00	11.80
10	JS-1245-10	11.25	13.05
11	JS-1245-11	12.50	14.30
12	JS-1245-12	13.75	15.55
13	JS-1245-13	15.00	16.80
14	JS-1245-14	16.25	18.05
15	JS-1245-15	17.50	19.30

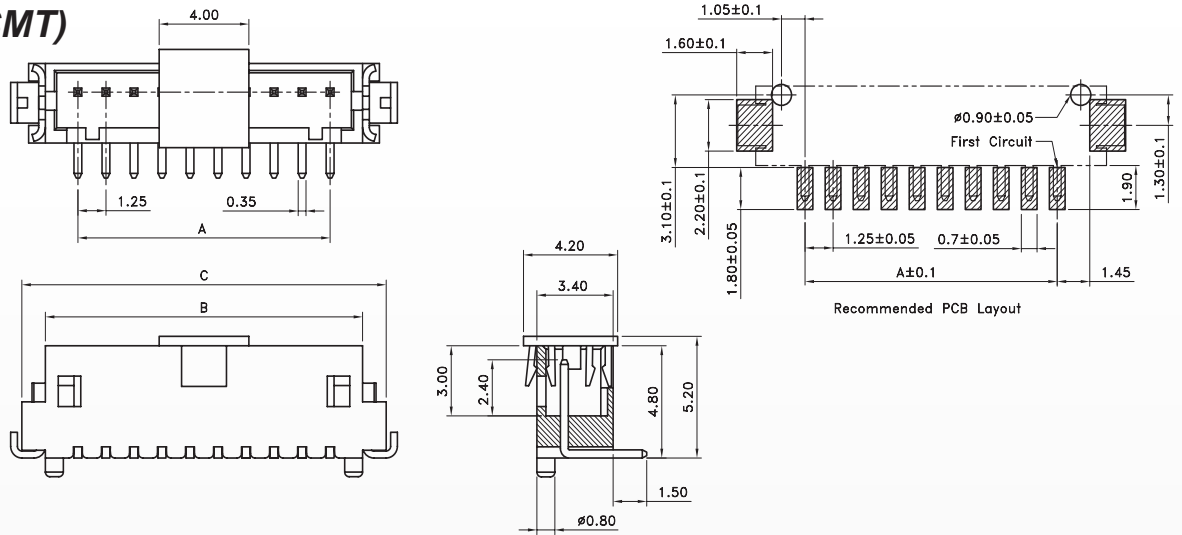
## Terminal JS-1255-T / TG



# 1.25mm (.049") Crimp Style Connectors

## Wafer

### JS-1246 (SMT)

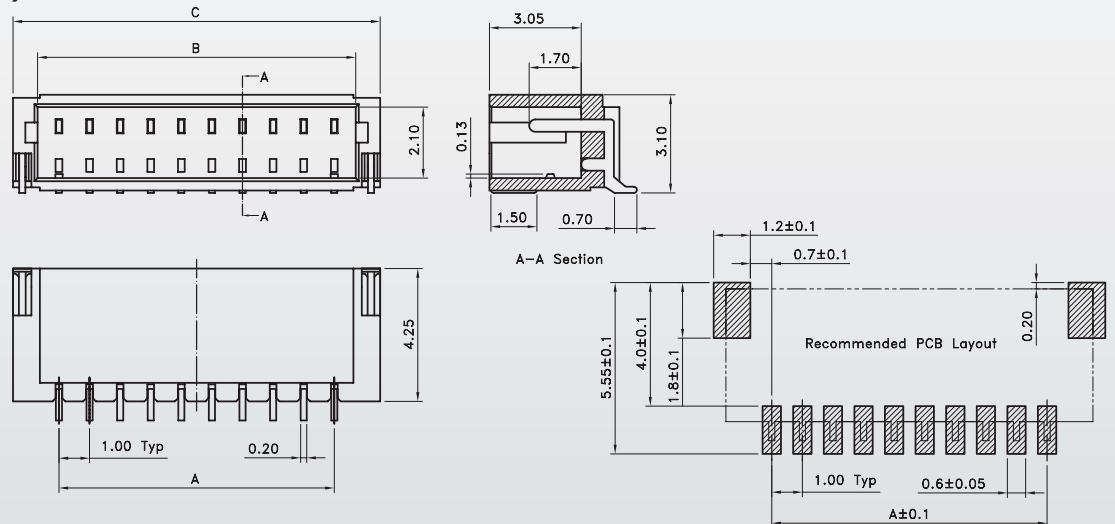


Poles	Part No.	Dimensions (mm)		
		A	B	C
2	JS-1246-02	1.25	4.15	6.25
3	JS-1246-03	2.50	5.40	7.50
4	JS-1246-04	3.75	6.65	8.75
5	JS-1246-05	5.00	7.90	10.00
6	JS-1246-06	6.75	9.15	11.25
7	JS-1246-07	7.50	10.40	12.50
8	JS-1246-08	8.75	11.65	13.75

Poles	Part No.	Dimensions (mm)		
		A	B	C
9	JS-1246-09	10.00	12.90	15.00
10	JS-1246-10	11.25	14.15	16.25
11	JS-1246-11	12.50	15.40	17.50
12	JS-1246-12	13.75	16.65	18.75
13	JS-1246-13	15.00	17.90	20.00
14	JS-1246-14	16.25	19.15	21.25
15	JS-1246-15	17.50	20.40	22.50

## Wafer

### JS-1246R (SMT)



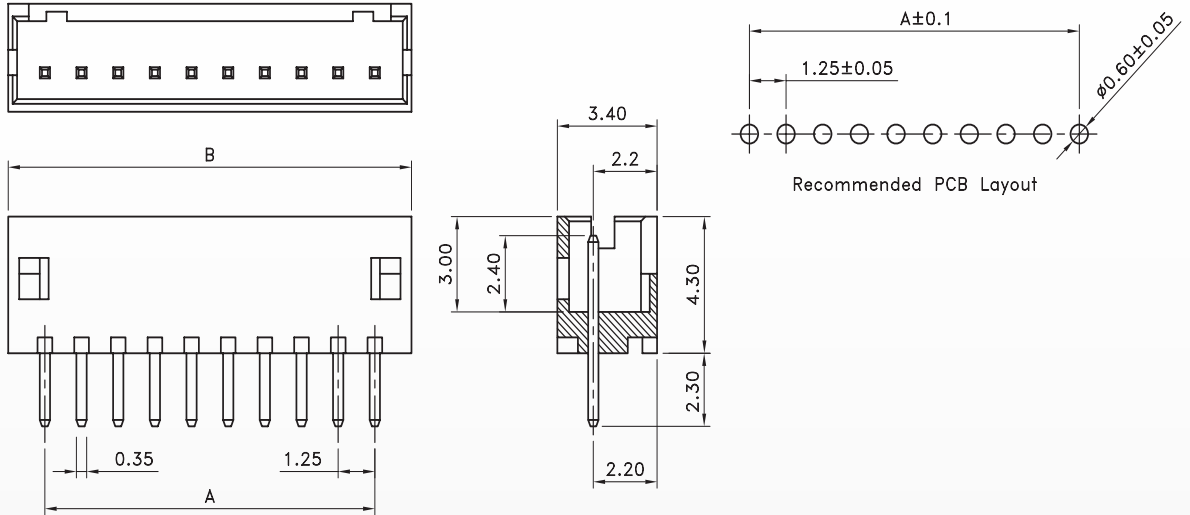
Poles	Part No.	Dimensions (mm)		
		A	B	C
2	JS-1246R-02	1.25	4.15	6.25
3	JS-1246R-03	2.50	5.40	7.50
4	JS-1246R-04	3.75	6.65	8.75
5	JS-1246R-05	5.00	7.90	10.00
6	JS-1246R-06	6.75	9.15	11.25
7	JS-1246R-07	7.50	10.40	12.50
8	JS-1246R-08	8.75	11.65	13.75

Poles	Part No.	Dimensions (mm)		
		A	B	C
9	JS-1246R-09	10.00	12.90	15.00
10	JS-1246R-10	11.25	14.15	16.25
11	JS-1246R-11	12.50	15.40	17.50
12	JS-1246R-12	13.75	16.65	18.75
13	JS-1246R-13	15.00	17.90	20.00
14	JS-1246R-14	16.25	19.15	21.25
15	JS-1246R-15	17.50	20.40	22.50

# 1.25mm (.049") Crimp Style Connectors

## Wafer

### JS-1247 (DIP)

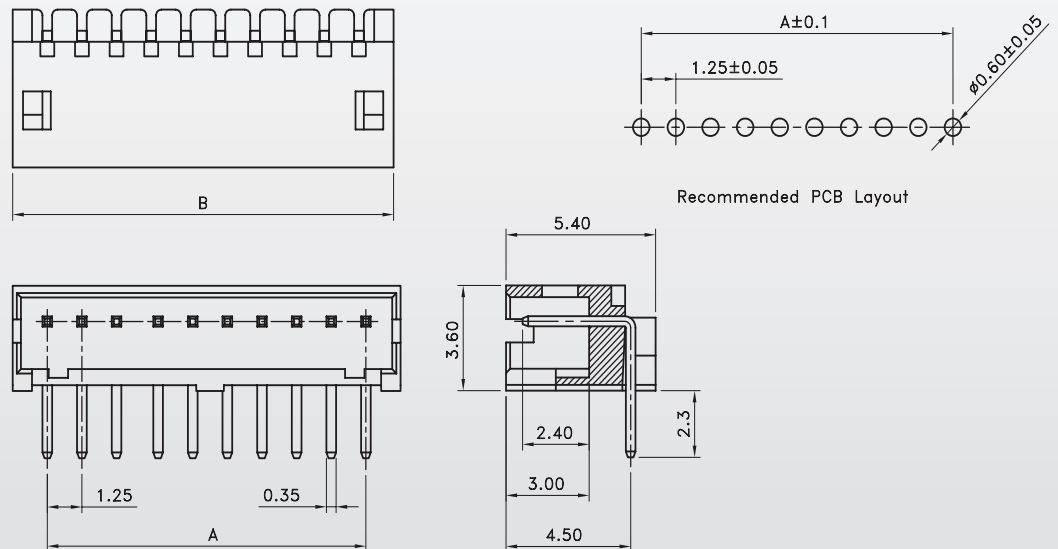


Poles	Part No.	Dimensions (mm)	
		A	B
2	JS-1247-02	1.25	3.75
3	JS-1247-03	2.50	5.00
4	JS-1247-04	3.75	6.25
5	JS-1247-05	5.00	7.50
6	JS-1247-06	6.75	8.75
7	JS-1247-07	7.50	10.00
8	JS-1247-08	8.75	11.25

Poles	Part No.	Dimensions (mm)	
		A	B
9	JS-1247-09	10.00	12.50
10	JS-1247-10	11.25	13.75
11	JS-1247-11	12.50	15.00
12	JS-1247-12	13.75	16.25
13	JS-1247-13	15.00	17.50
14	JS-1247-14	16.25	18.75
15	JS-1247-15	17.50	20.00

## Wafer

### JS-1247R (DIP)

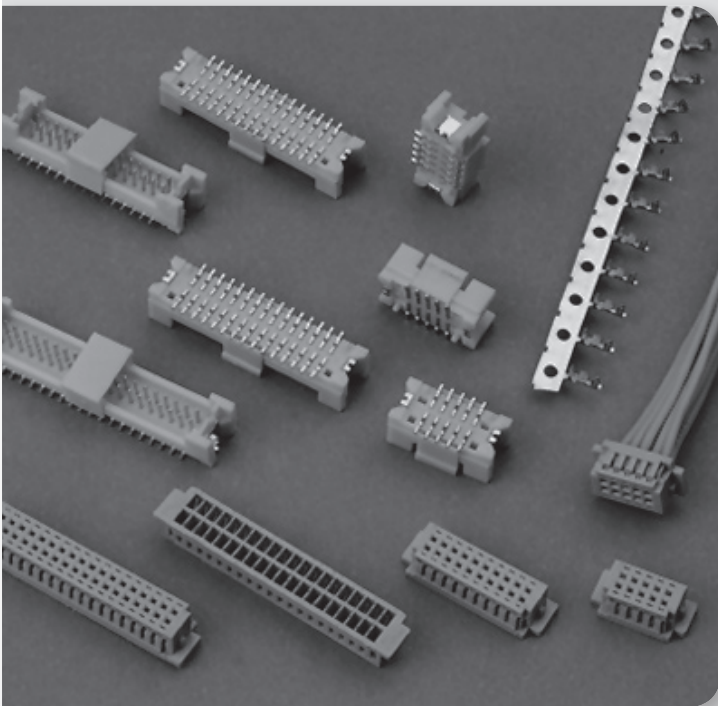


Poles	Part No.	Dimensions (mm)	
		A	B
2	JS-1247R-02	1.25	3.75
3	JS-1247R-03	2.50	5.00
4	JS-1247R-04	3.75	6.25
5	JS-1247R-05	5.00	7.50
6	JS-1247R-06	6.75	8.75
7	JS-1247R-07	7.50	10.00
8	JS-1247R-08	8.75	11.25

Poles	Part No.	Dimensions (mm)	
		A	B
9	JS-1247R-09	10.00	12.50
10	JS-1247R-10	11.25	13.75
11	JS-1247R-11	12.50	15.00
12	JS-1247R-12	13.75	16.25
13	JS-1247R-13	15.00	17.50
14	JS-1247R-14	16.25	18.75
15	JS-1247R-15	17.50	20.00



# 1.25mm (.049") Crimp Style Connectors<SMT><Double-Row>



## Specifications

- Voltage Rating : 150V AC/DC
- Current Rating : 1A AC/DC
- Withstanding Voltage : 500V AC/minute
- Insulation Resistance : 500MΩ min.
- Temperature Range : -35°C to + 85°C
- Contact Resistance : 30mΩ max.

## Features:

### ■ HOUSING

Part No. : JS-1255

Poles : 10, 20, 30, 40, 50

Material : Nylon 66 UL94V-0

Q'ty : 1,000 pcs/Bag

### ■ WAFER

Part No. : JS-1256

Poles : 10, 20, 30, 40, 50

Material : Contact : Phos. Bronze

Finish : Tin Plated, Gold Plated,

Base : Nylon PA9T UL94V-0

Q'ty : 900 pcs/Tape & Reel

### ■ TERMINAL

Part No. : JS-1255-T,JS-1255-T(G)

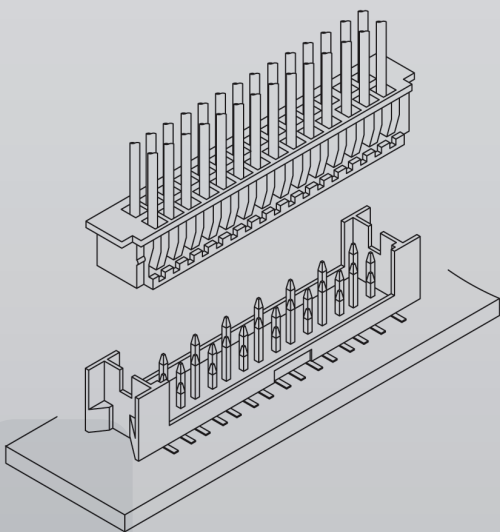
Applicable Wires : AWG# 28-32

Material : Phos. Bronze

Finish : Tin Plated,Gold Plated

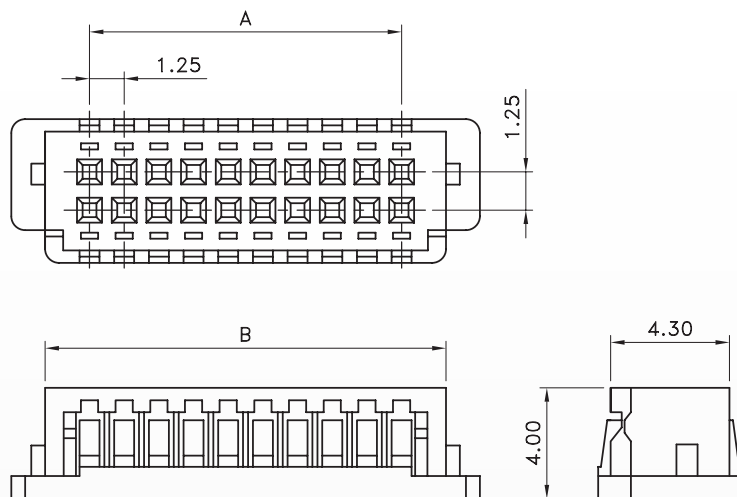
Thickness : 0.15mm

Q'ty : 15,000 pcs/Reel



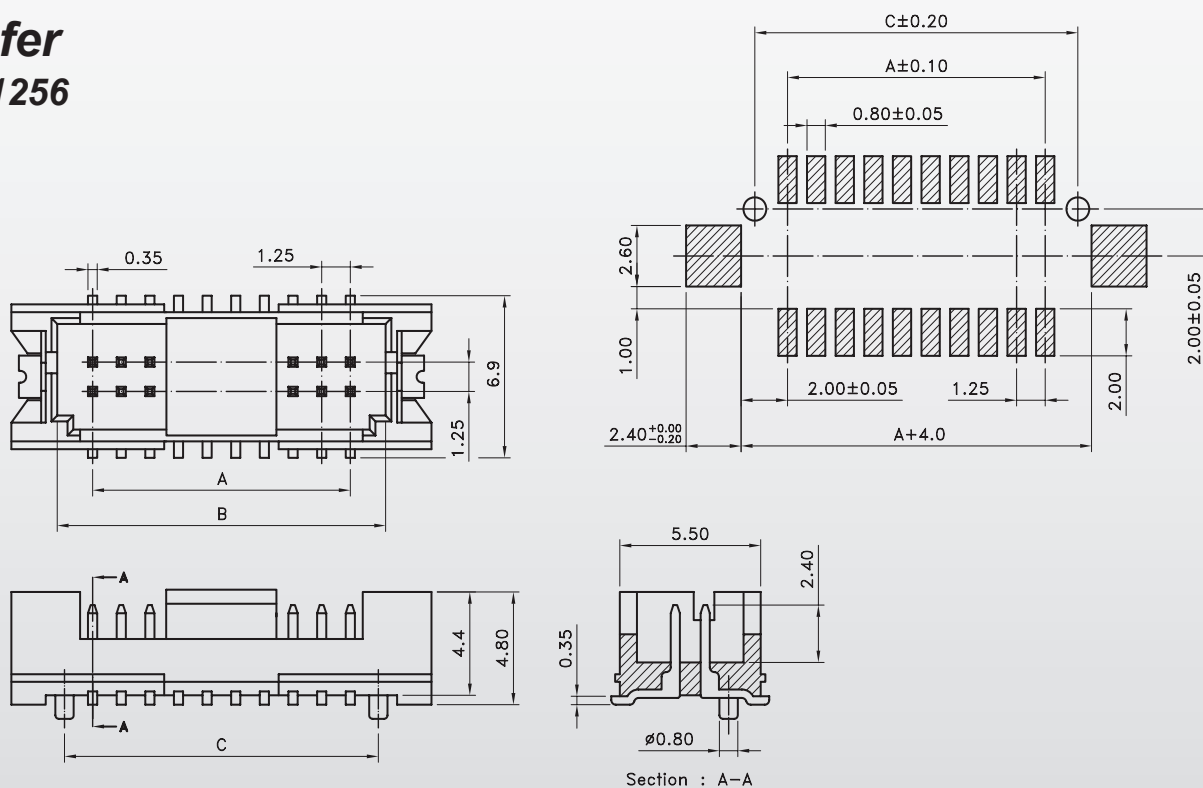
# 1.25mm (.049") Crimp Style Connectors<SMT><Double-Row>

## Housing JS-1255



Poles	Part No.	Dimensions (mm)	
		A	B
10	JS-1255-5x2	5.00	8.00
20	JS-1255-10x2	11.25	14.25
30	JS-1255-15x2	17.50	20.50
40	JS-1255-20x2	23.75	26.75
50	JS-1255-25x2	30.00	33.00

## Wafer JS-1256

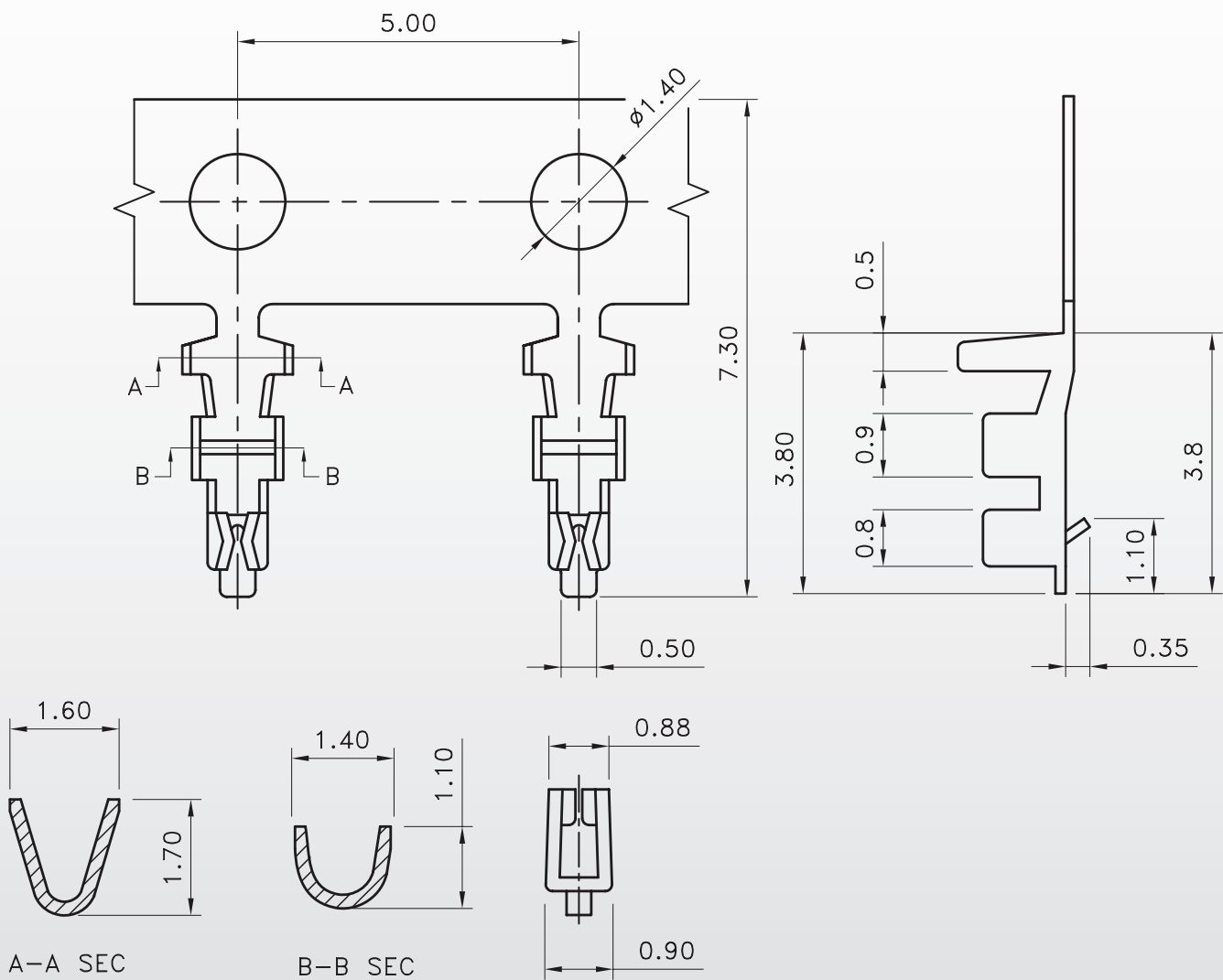


Poles	Part No.	Dimensions (mm)		
		A	B	C
10	JS-1256-5x2	5.00	8.09	7.50
20	JS-1256-10x2	11.25	14.34	13.75
30	JS-1256-15x2	17.50	20.59	20.00
40	JS-1256-20x2	23.75	26.84	26.25
50	JS-1256-25x2	30.00	33.09	32.50

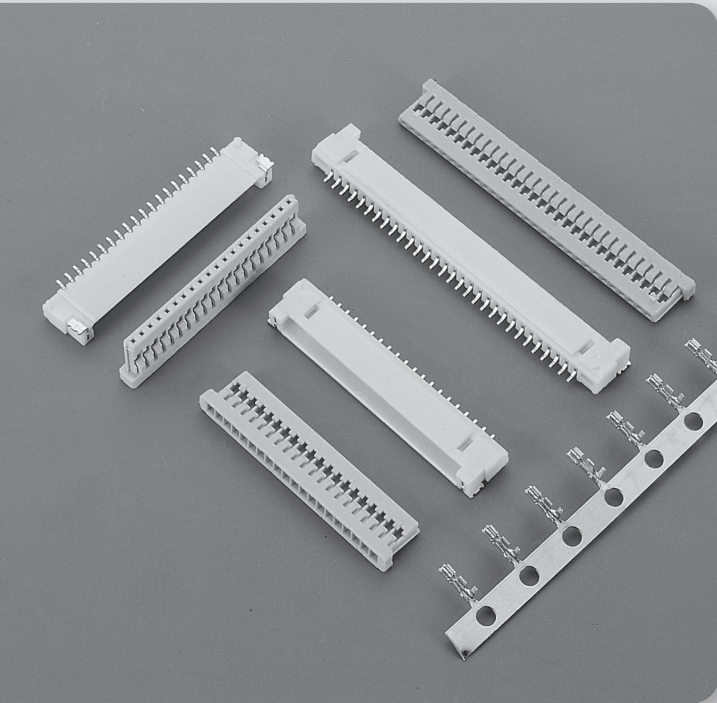
# 1.25mm (.049") Crimp Style Connectors<SMT><Double-Row>

## Terminal JS-1255-T

A



# 1.25mm (.049") Crimp Style Connectors<SMT>



## Specifications

- Voltage Rating : 100V AC/DC
- Current Rating : 1A AC/DC
- Withstanding Voltage : 500V AC/minute
- Insulation Resistance : 500MΩ min.
- Temperature Range : -25°C to + 85°C
- Contact Resistance : 20mΩ max.

## Features:

### ■ HOUSING

Part No. : JS-1225

Poles : 2 - 30

Material : Nylon 66 UL94V-0

Q'ty : 1,000 pcs/Bag

### ■ WAFER

Part No. : JS-1235R

Poles : 2 - 30(Right Angle)

Material : Contact : Phos. Bronze, Tin Plated

Base : Nylon PA46 UL94V-0

Q'ty : 1,500 pcs/Tape & Reel

### ■ TERMINAL

Part No. : JS-1225-T, JS-1225-T(G)

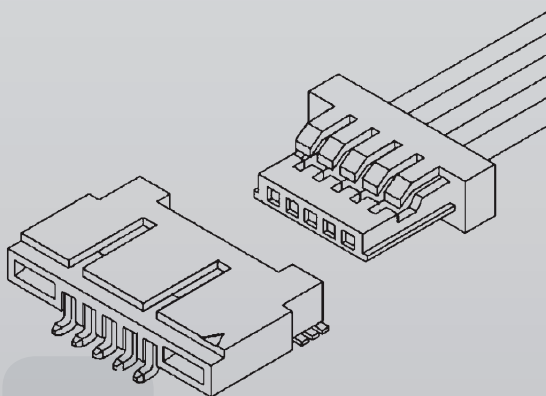
Applicable Wires : AWG# 28-32

Material : Phos. Bronze

Finish : Tin Plated, Gold Plated

Thickness : 0.15mm

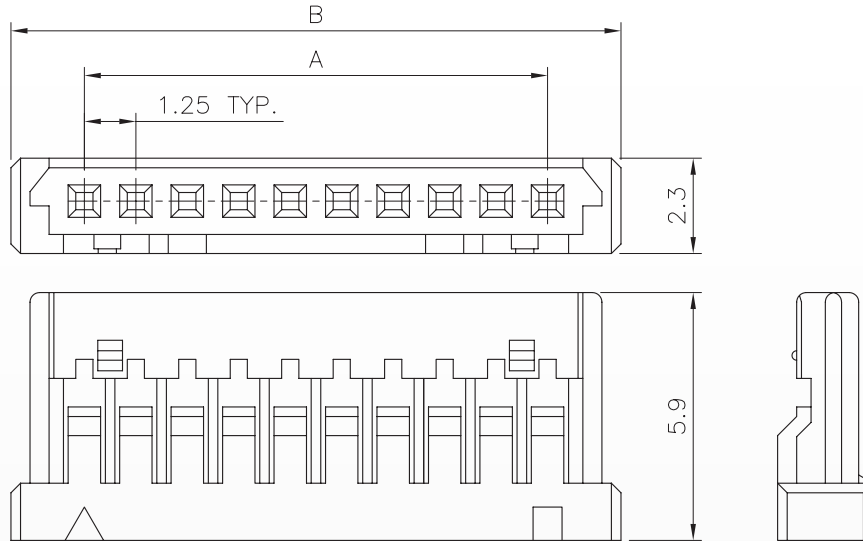
Q'ty : 15,000 pcs/Reel





# 1.25mm (.049") Crimp Style Connectors<SMT>

## Housing JS-1225

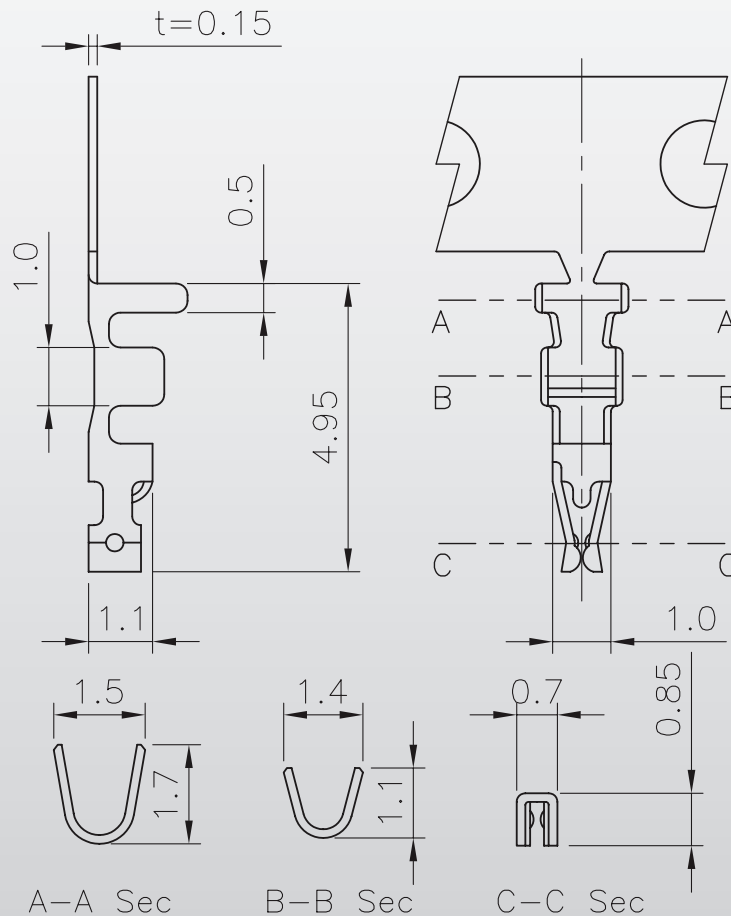


A

Poles	Part No.	Dimensions (mm)	
		A	B
2	JS-1225-02	1.00	5.00
3	JS-1225-03	2.00	6.00
4	JS-1225-04	3.00	7.00
5	JS-1225-05	4.00	8.00
6	JS-1225-06	5.00	9.00
7	JS-1225-07	6.00	10.00
8	JS-1225-08	7.00	11.00

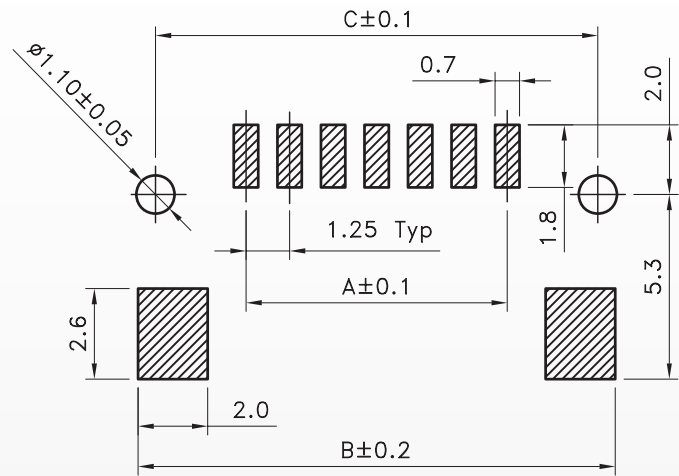
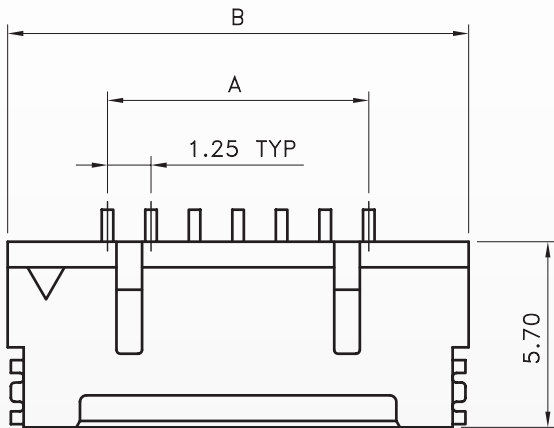
Poles	Part No.	Dimensions (mm)	
		A	B
9	JS-1225-09	8.00	12.00
10	JS-1225-10	9.00	13.00
12	JS-1225-12	10.00	14.00
20	JS-1225-20	11.00	15.00
25	JS-1225-25	12.00	16.00
30	JS-1225-30	13.00	17.00

## Terminal JS-1225-T

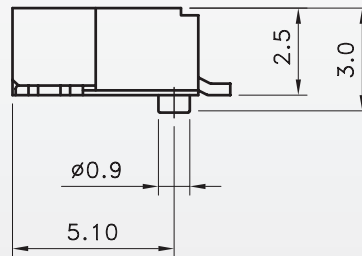
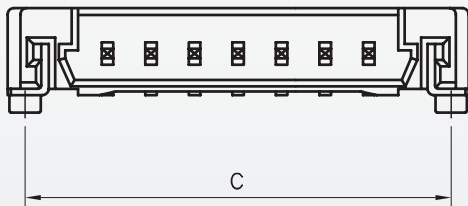


# 1.25mm (.049") Crimp Style Connectors<SMT>

## Wafer - Right Angle JS-1235R



Recommended PCB Layout



Poles	Part No.	Dimensions (mm)		
		A	B	C
2	JS-1235R-02	1.25	7.45	6.45
3	JS-1235R-03	2.50	8.70	7.70
4	JS-1235R-04	3.75	9.95	8.95
5	JS-1235R-05	5.00	11.20	10.20
6	JS-1235R-06	6.25	12.45	11.45
7	JS-1235R-07	7.50	13.70	12.70
8	JS-1235R-08	8.75	14.95	13.95
9	JS-1235R-09	10.00	16.20	15.20
10	JS-1235R-10	11.25	17.45	16.45
12	JS-1235R-12	13.75	19.95	18.95
15	JS-1235R-15	17.50	23.70	22.70
20	JS-1235R-20	23.75	29.95	28.95
25	JS-1235R-25	30.00	36.20	35.20
30	JS-1235R-30	36.25	42.45	41.45

# 1.25mm (.049") Crimp Style Connectors

## Specifications

- Voltage Rating : 125V AC/DC
- Current Rating : 1A AC/DC
- Withstanding Voltage : 250V AC/minute
- Insulation Resistance : 100MΩ min.
- Temperature Range : -40°C to + 85°C
- Contact Resistance : 20mΩ max.

## Features:

### ■ HOUSING

Part No. : JS-1145(Plug Housing)

JS-1146(Receptacle Housing)

Poles : 2 - 15

Material : PBT UL94V-0 (for JS-1145)

Nylon 66 UL94V-0 (for JS-1146)

Q'ty : 1,000 pcs/Bag

### ■ WAFER

Part No. : JS-1147,JS-1147A (DIP Type, Straight)

JS-1147R (DIP Type, Right Angle)

JS-1147V (SMT Type, Straight)

JS-1147H (SMT Type, Right Angle)

Poles : 2 - 15

Material : Contact : Brass, Tin Plated

Base : Nylon 66 UL94V-0 + Glass Fiber  
( for JS-1147)

Nylon PA46 UL94V-0

( for JS-1147A,JS-1147R

JS-1147R,JS-1147V)

Q'ty : 1,000 pcs./PVB Box JS-1147,JS-1147A,JS-1147R

1,500 pcs./Tape & Reel JS-1147H

1,000 pcs./Tape & Reel JS-1147V

### ■ TERMINAL

Part No. : JS-1145-TP(Male Terminal)

JS-1146-T(Female Terminal)

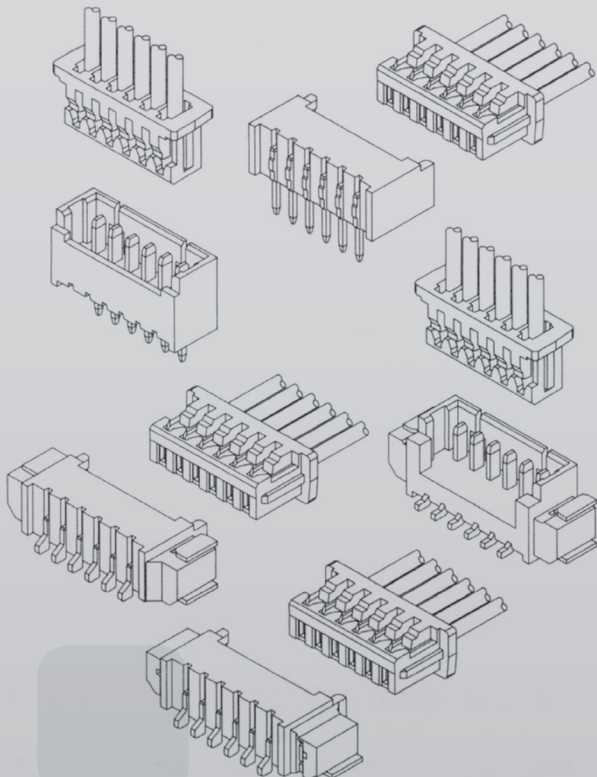
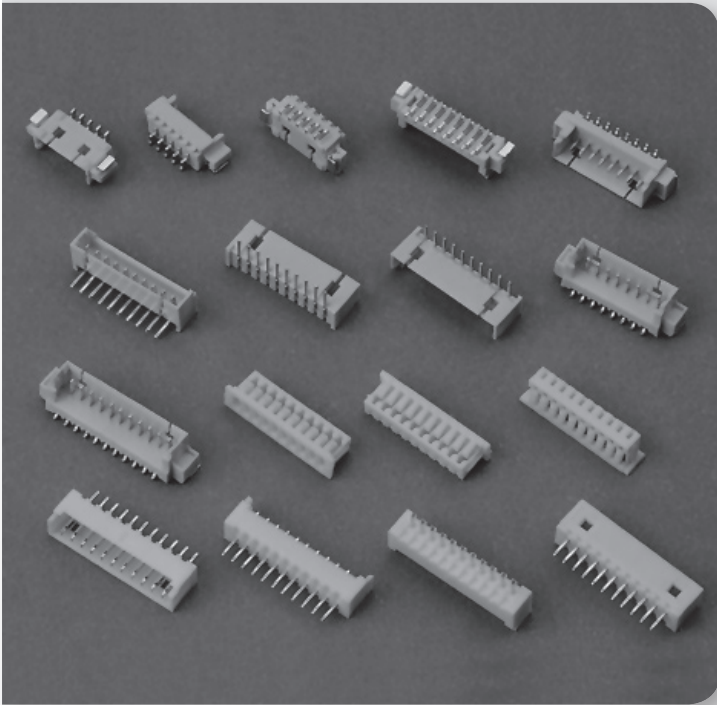
Applicable Wires : AWG# 28-32

Material : Phos. Bronze

Finish : Tin Plated

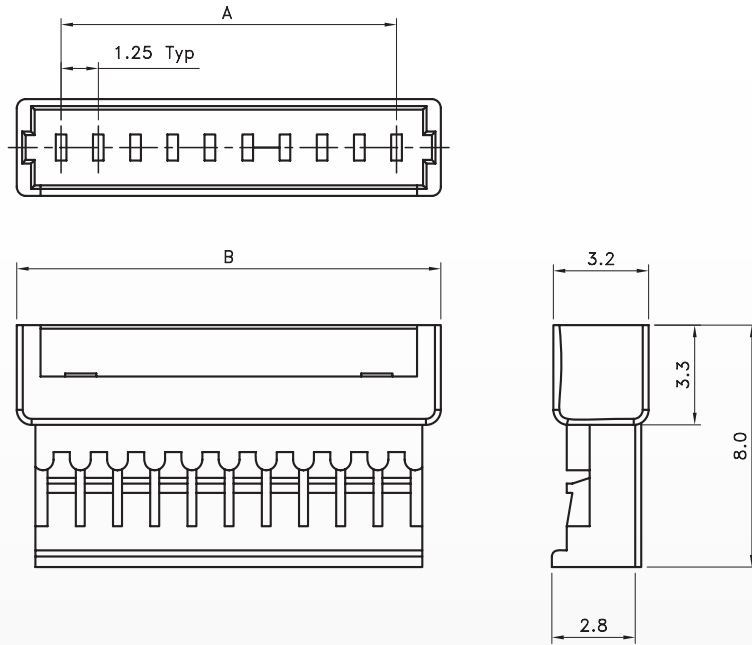
Thickness : 0.15mm

Q'ty : 15,000 pcs/Reel



# 1.25mm (.049") Crimp Style Connectors

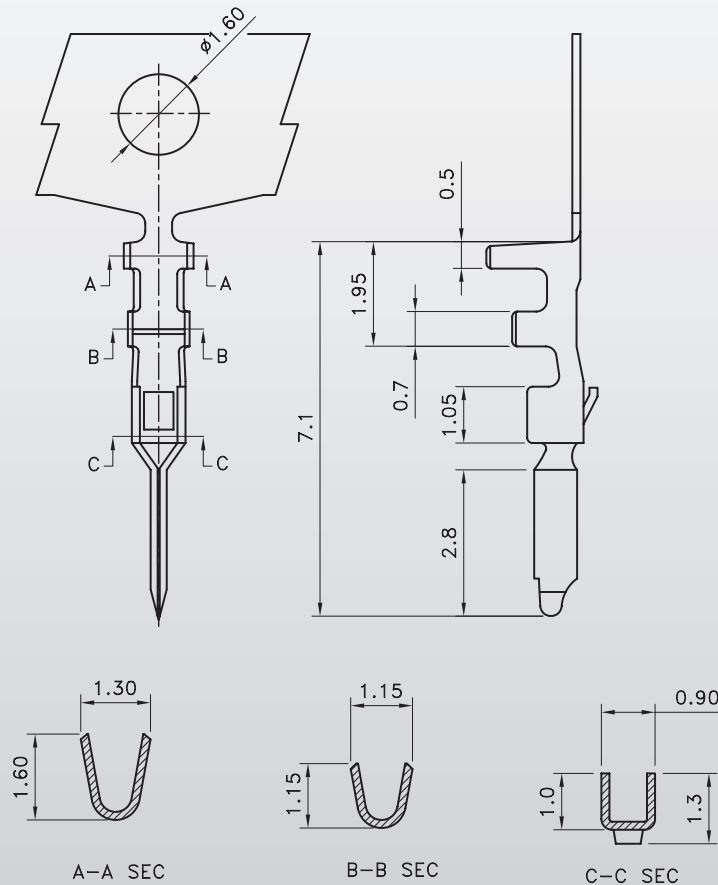
## Housing JS-1145



Poles	Part No.	Dimensions (mm)	
		A	B
2	JS-1145-02	1.25	4.25
3	JS-1145-03	2.50	5.50
4	JS-1145-04	3.75	6.75
5	JS-1145-05	5.00	8.00
6	JS-1145-06	6.25	9.25
7	JS-1145-07	7.50	10.50
8	JS-1145-08	8.75	11.75

Poles	Part No.	Dimensions (mm)	
		A	B
9	JS-1145-09	10.00	13.00
10	JS-1145-10	11.25	14.25
11	JS-1145-11	12.50	15.50
12	JS-1145-12	13.75	16.75
13	JS-1145-13	15.00	18.00
14	JS-1145-14	16.25	19.25
15	JS-1145-15	17.50	20.50

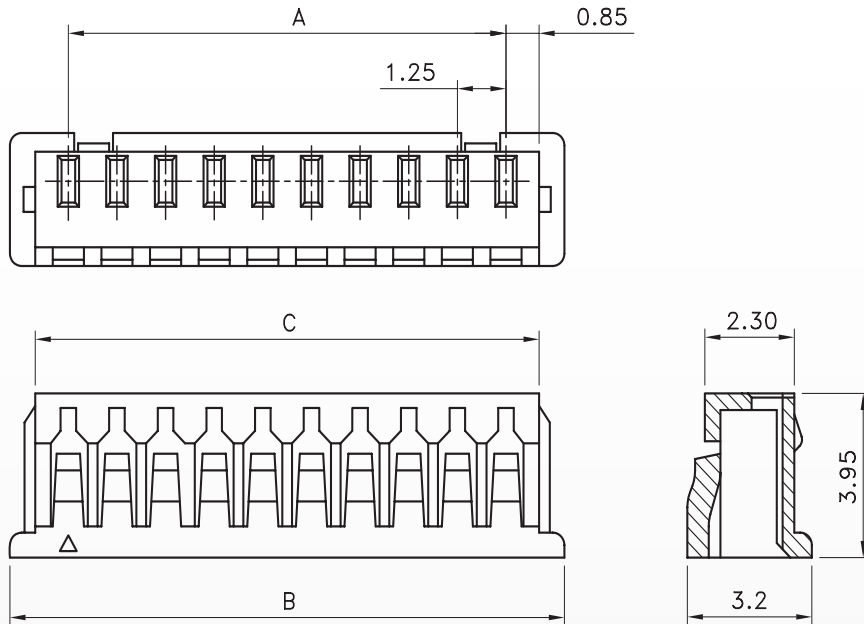
## Terminal JS-1145-T





# 1.25mm (.049") Crimp Style Connectors

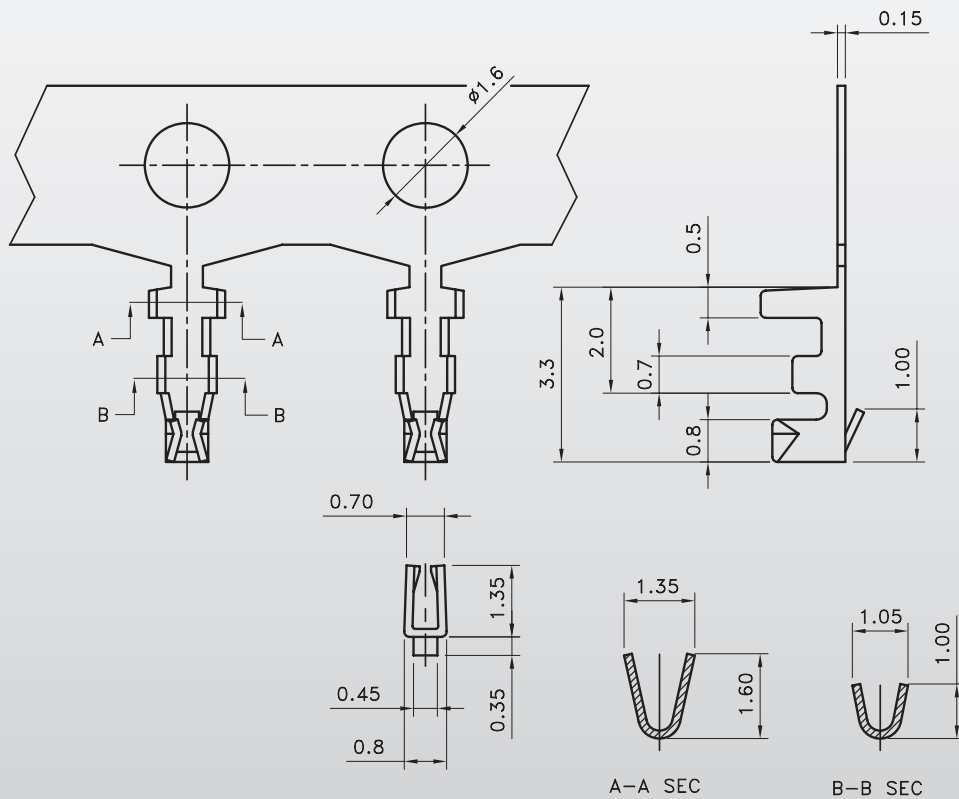
## Housing JS-1146



Poles	Part No.	Dimensions (mm)		
		A	B	C
2	JS-1146-02	1.25	4.75	2.95
3	JS-1146-03	2.50	5.50	4.20
4	JS-1146-04	3.75	6.75	5.45
5	JS-1146-05	5.00	8.00	6.70
6	JS-1146-06	6.25	9.25	7.95
7	JS-1146-07	7.50	10.50	9.20
8	JS-1146-08	8.75	11.75	10.45

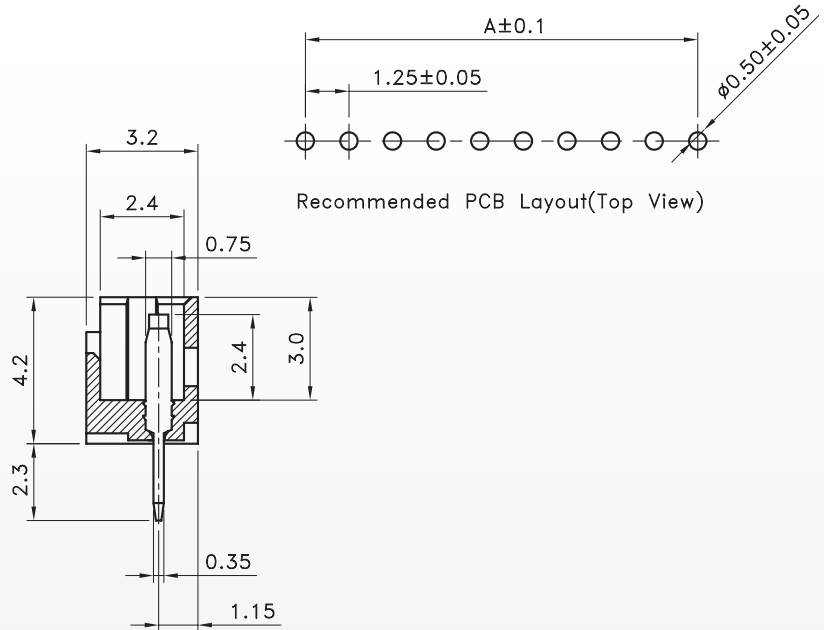
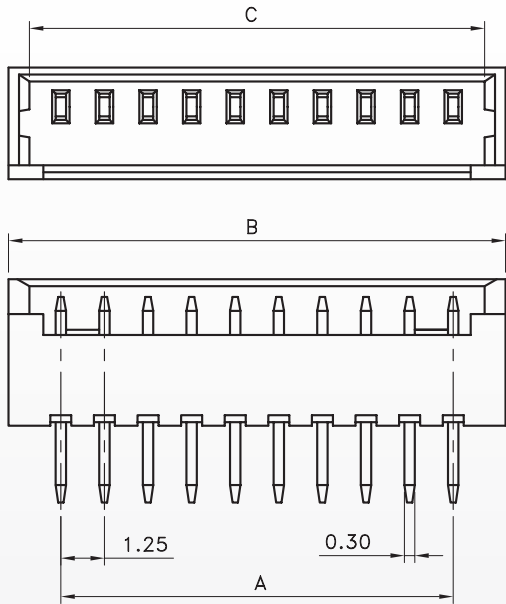
Poles	Part No.	Dimensions (mm)		
		A	B	C
9	JS-1146-09	10.00	13.00	11.70
10	JS-1146-10	11.25	14.25	12.95
11	JS-1146-11	12.50	15.50	14.20
12	JS-1146-12	13.75	16.75	15.45
13	JS-1146-13	15.00	18.00	16.70
14	JS-1146-14	16.25	19.25	17.95
15	JS-1146-15	17.50	20.50	19.20

## Terminal JS-1146-T

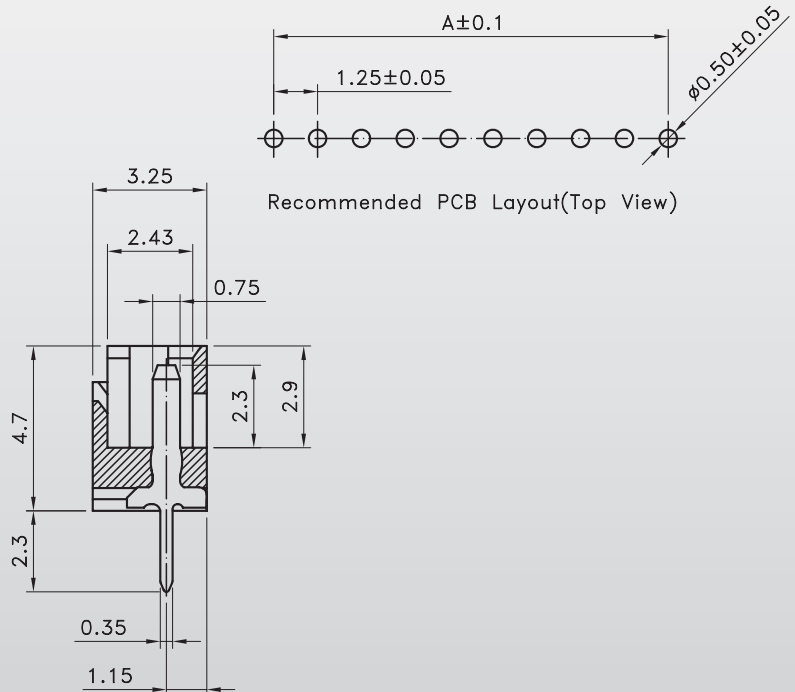
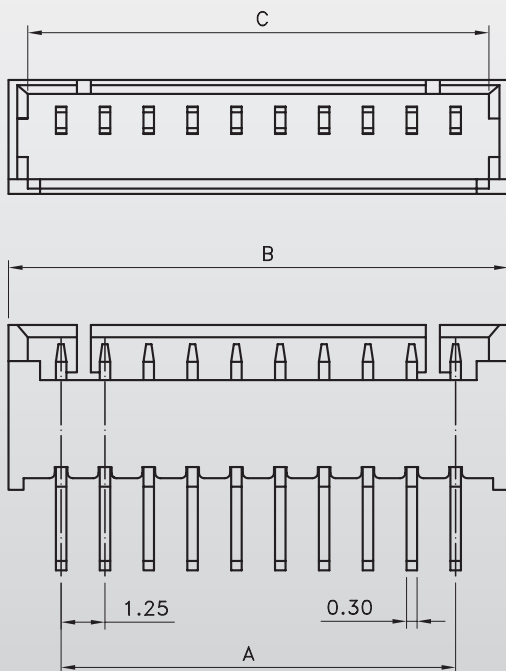


# 1.25mm (.049") Crimp Style Connectors

## Wafer - Straight <DIP Type> JS-1147

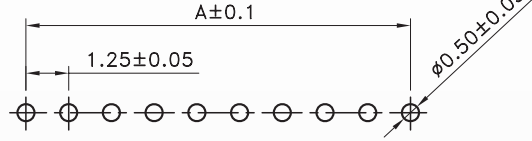
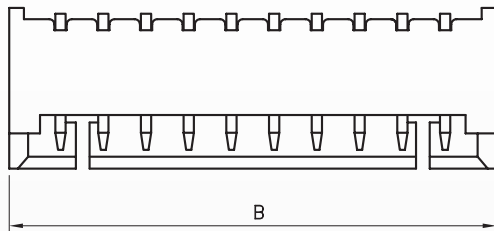


## Wafer - Straight <DIP Type> JS-1147A

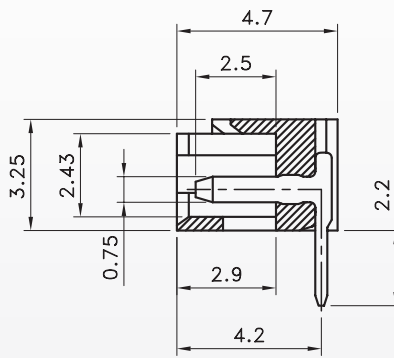
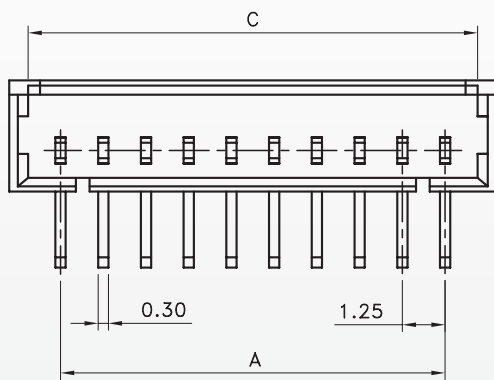


# 1.25mm (.049") Crimp Style Connectors

## Wafer - <Right Angle><DIP Type> JS-1147R



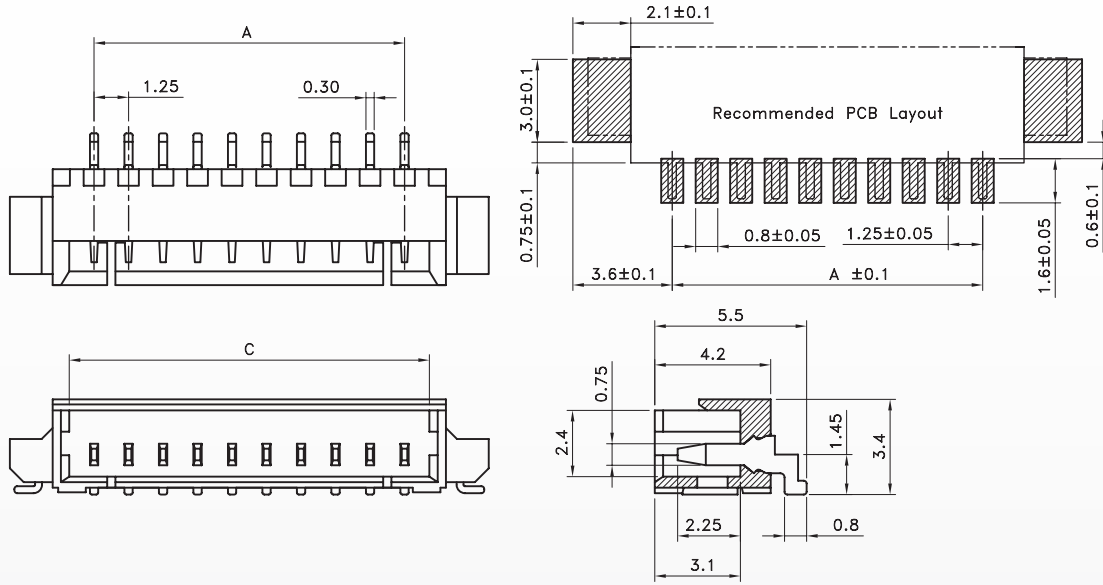
Recommended PCB Layout (Top View)



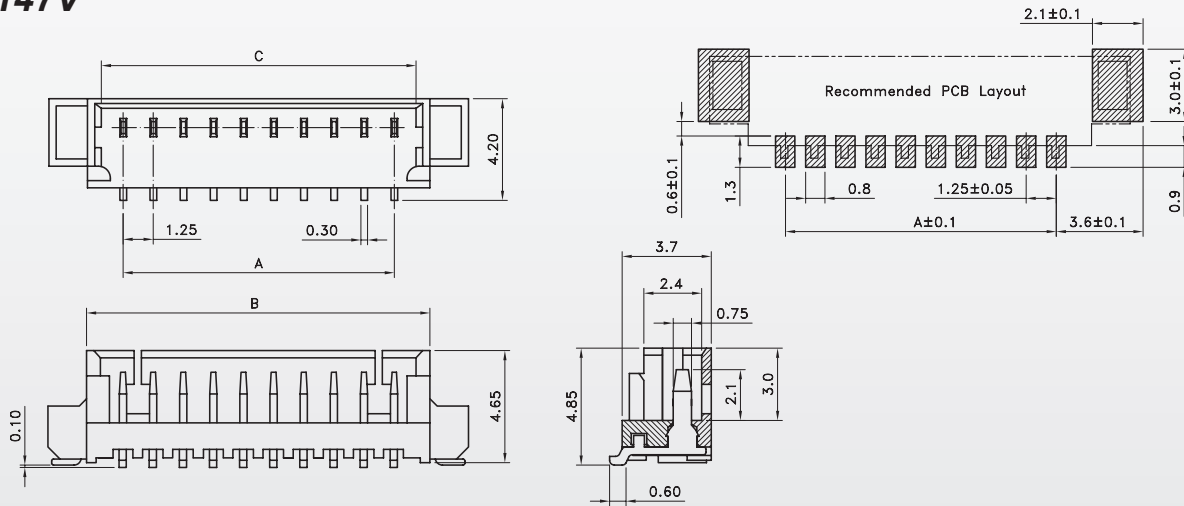
Poles	Part No.			Dimensions (mm)		
	JS-1147	JS-1147A	JS-1147R	A	B	C
2	JS-1147-02	JS-1147A-02	JS-1147R-02	1.25	4.25	3.05
3	JS-1147-03	JS-1147A-03	JS-1147R-03	2.50	5.50	4.30
4	JS-1147-04	JS-1147A-04	JS-1147R-04	3.75	6.75	5.55
5	JS-1147-05	JS-1147A-05	JS-1147R-05	5.00	8.00	6.80
6	JS-1147-06	JS-1147A-06	JS-1147R-06	6.25	9.25	8.05
7	JS-1147-07	JS-1147A-07	JS-1147R-07	7.50	10.50	9.30
8	JS-1147-08	JS-1147A-08	JS-1147R-08	8.75	11.75	10.55
9	JS-1147-09	JS-1147A-09	JS-1147R-09	10.00	13.00	11.80
10	JS-1147-10	JS-1147A-10	JS-1147R-10	11.25	14.25	13.05
11	JS-1147-11	JS-1147A-11	JS-1147R-11	12.50	15.50	14.30
12	JS-1147-12	JS-1147A-12	JS-1147R-12	13.75	16.75	15.55
13	JS-1147-13	JS-1147A-13	JS-1147R-13	15.00	18.00	16.80
14	JS-1147-14	JS-1147A-14	JS-1147R-14	16.25	19.25	18.05
15	JS-1147-15	JS-1147A-15	JS-1147R-15	17.50	20.50	19.30

# 1.25mm (.049") Crimp Style Connectors

## Wafer - Right Angle <SMT Type> JS-1147H



## Wafer - Straight <SMT Type> JS-1147V



Poles	Part No.		Dimensions (mm)			
	JS-1147H	JS-1147V	A	B	C	D
2	JS-1147H-02	JS-1147V-02	1.25	4.25	3.05	7.65
3	JS-1147H-03	JS-1147V-03	2.50	5.50	4.30	8.90
4	JS-1147H-04	JS-1147V-04	3.75	6.75	5.55	10.15
5	JS-1147H-05	JS-1147V-05	5.00	8.00	6.80	11.40
6	JS-1147H-06	JS-1147V-06	6.25	9.25	8.05	12.65
7	JS-1147H-07	JS-1147V-07	7.50	10.50	9.30	13.90
8	JS-1147H-08	JS-1147V-08	8.75	11.75	10.55	15.15
9	JS-1147H-09	JS-1147V-09	10.00	13.00	11.80	16.40
10	JS-1147H-10	JS-1147V-10	11.25	14.25	13.05	17.65
11	JS-1147H-11	JS-1147V-11	12.50	15.50	14.30	18.90
12	JS-1147H-12	JS-1147V-12	13.75	16.75	15.55	20.15
13	JS-1147H-13	JS-1147V-13	15.00	18.00	16.80	21.40
14	JS-1147H-14	JS-1147V-14	16.25	19.25	18.05	22.65
15	JS-1147H-15	JS-1147V-15	17.50	20.50	19.30	23.90

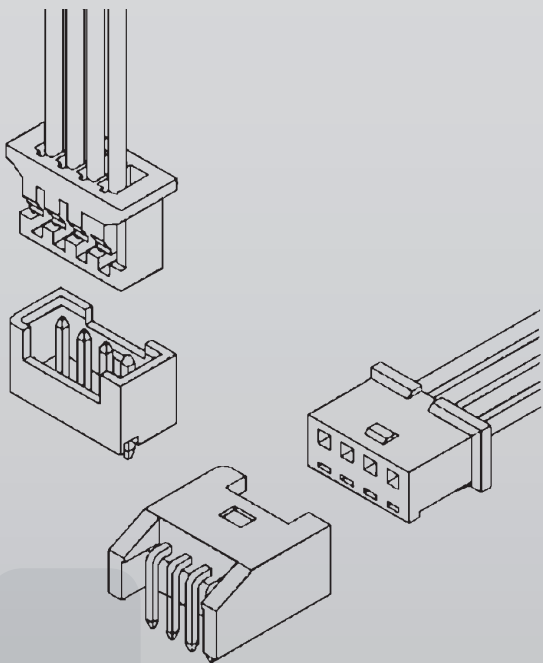
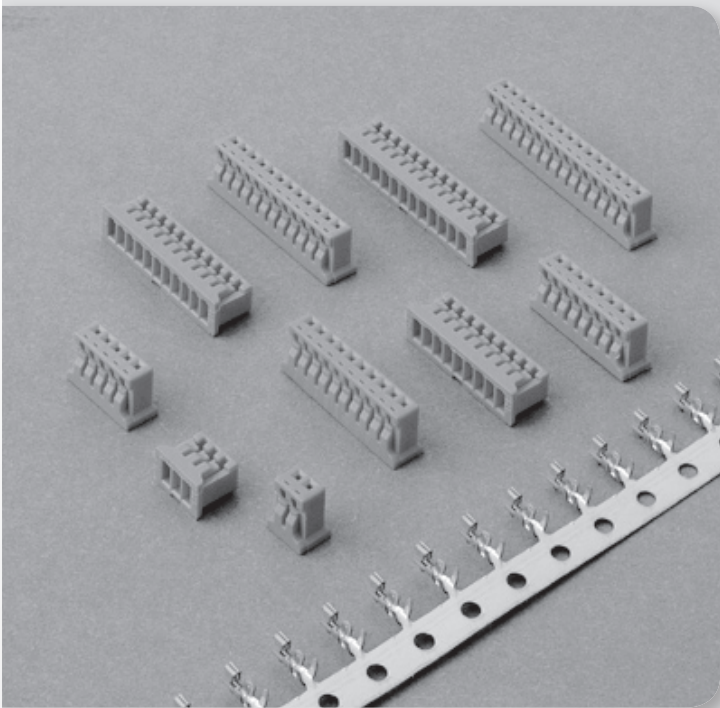
# 1.25mm (.049") Crimp Style Connectors

## Specifications

- Voltage Rating : 100V AC/DC
- Current Rating : 1A AC/DC
- Withstanding Voltage : 500V AC/minute
- Insulation Resistance : 100MΩ min.
- Temperature Range : -25°C to + 85°C
- Contact Resistance : 20mΩ max.

## Features:

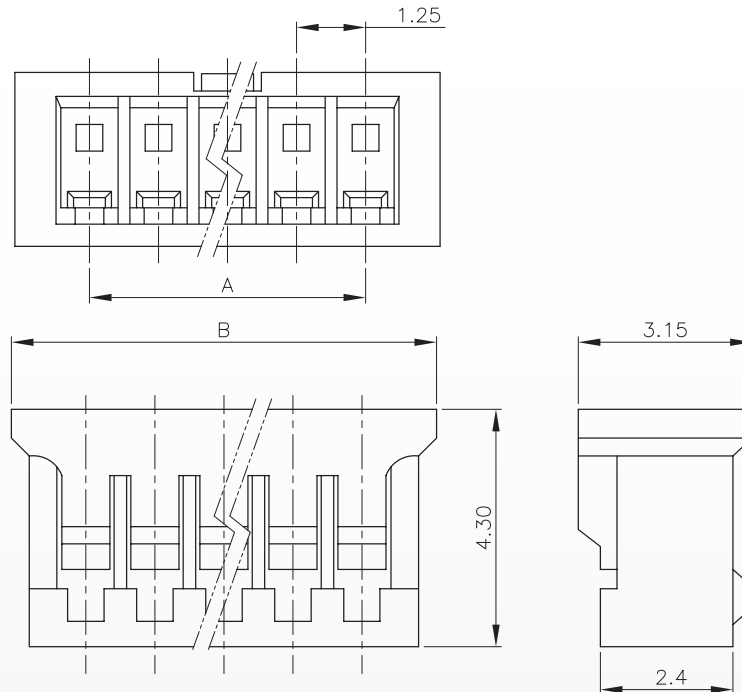
- HOUSING  
Part No. : JS-1250  
Poles : 2 - 15  
Material : Nylon 66 UL94V-0  
Q,ty : 1,000 pcs/Bag
- WAFER  
Part No. : JS-1251(Straight)  
JS-1251R(Right Angle)  
Poles : 2 - 15  
Material : Contact : Brass , Tin Plated  
Base : Nylon 66 UL94V-0  
Q'ty : 1,000 pcs./Bag
- TERMINAL  
Part No. : JS-1250-T  
Applicable Wires : AWG# 28-32  
Material : Phos.Bronze  
Finish : Tin Plated  
Thickness : 0.15mm  
Q'ty : 15,000 pcs/Reel





# 1.25mm (.049") Crimp Style Connectors

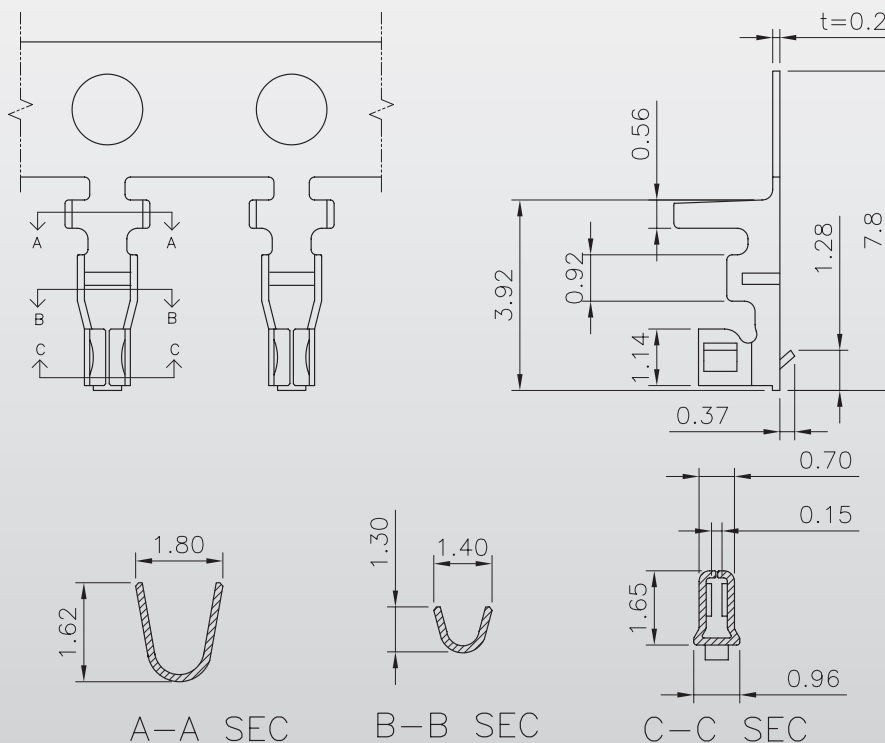
## Housing JS-1250



Poles	Part No.	Dimensions (mm)	
		A	B
2	JS-1250-02	1.25	3.95
3	JS-1250-03	2.50	5.20
4	JS-1250-04	3.75	6.45
5	JS-1250-05	5.00	7.70
6	JS-1250-06	6.25	8.95
7	JS-1250-07	7.50	10.20
8	JS-1250-08	8.75	11.45

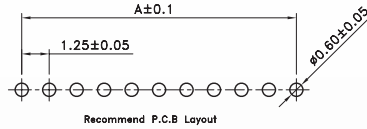
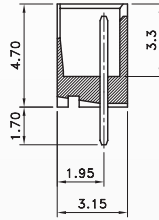
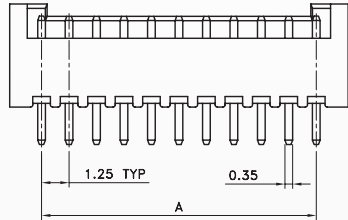
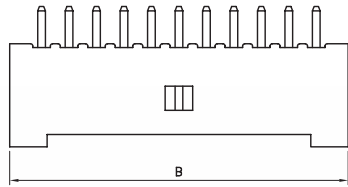
Poles	Part No.	Dimensions (mm)	
		A	B
9	JS-1250-09	10.00	12.70
10	JS-1250-10	11.25	13.95
11	JS-1250-11	12.50	15.20
12	JS-1250-12	13.75	16.45
13	JS-1250-13	15.00	17.70
14	JS-1250-14	16.25	18.95
15	JS-1250-15	17.50	20.20

## Terminal JS-1250-T



# 1.25mm (.049") Crimp Style Connectors

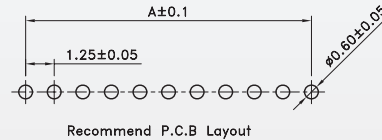
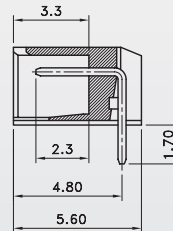
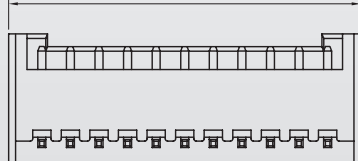
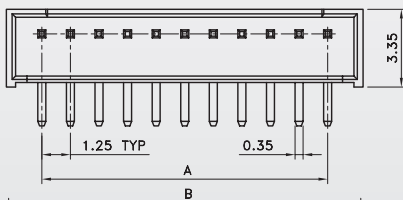
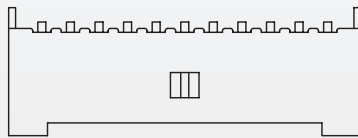
## Wafer JS-1251



Poles	Part No.	Dimensions (mm)	
		A	B
2	JS-1251-02	1.25	4.25
3	JS-1251-03	2.50	5.50
4	JS-1251-04	3.75	6.75
5	JS-1251-05	5.00	8.00
6	JS-1251-06	6.25	9.25
7	JS-1251-07	7.50	10.50
8	JS-1251-08	8.75	11.75

Poles	Part No.	Dimensions (mm)	
		A	B
9	JS-1251-09	10.00	13.00
10	JS-1251-10	11.25	14.25
11	JS-1251-11	12.50	15.50
12	JS-1251-12	12.75	16.75
13	JS-1251-13	15.00	18.00
14	JS-1251-14	16.25	19.25
15	JS-1251-15	17.50	20.50

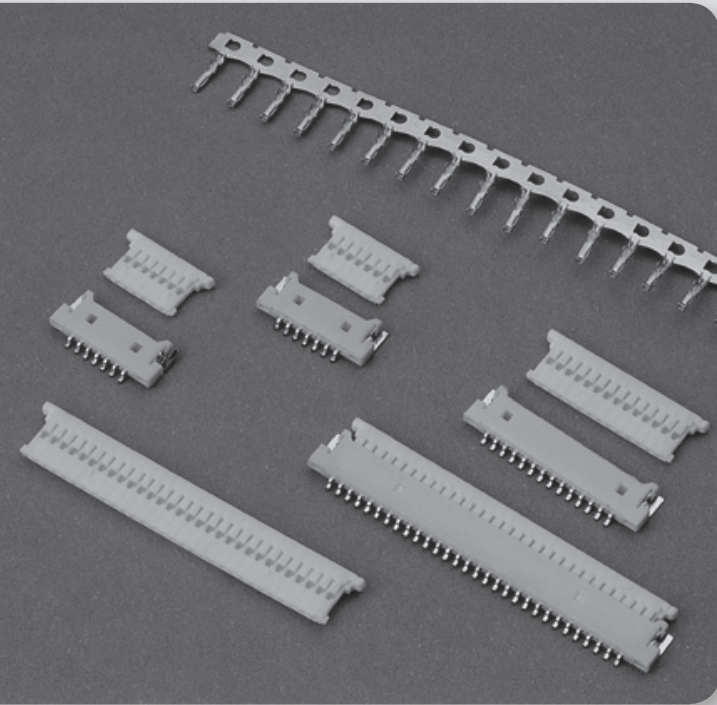
## Wafer JS-1251R



Poles	Part No.	Dimensions (mm)	
		A	B
2	JS-1251R-02	1.25	4.25
3	JS-1251R-03	2.50	5.50
4	JS-1251R-04	3.75	6.75
5	JS-1251R-05	5.00	8.00
6	JS-1251R-06	6.25	9.25
7	JS-1251R-07	7.50	10.50
8	JS-1251R-08	8.75	11.75

Poles	Part No.	Dimensions (mm)	
		A	B
9	JS-1251R-09	10.00	13.00
10	JS-1251R-10	11.25	14.25
11	JS-1251R-11	12.50	15.50
12	JS-1251R-12	13.75	16.75
13	JS-1251R-13	15.00	18.00
14	JS-1251R-14	16.25	19.25
15	JS-1251R-15	17.50	20.50

# 1.25mm (.049") Crimp Style Connectors<SMT>



## Specifications

- Voltage Rating : 125V AC/DC
- Current Rating : 1A AC/DC
- Withstanding Voltage : 250V AC/minute
- Insulation Resistance : 100M $\Omega$  min.
- Temperature Range : -25°C to + 85°C
- Contact Resistance : 20m $\Omega$  max.

## Features:

### ■ HOUSING

Part No. : JS-1258

Poles : 2 - 30

Material : Nylon 66 UL94V-0

Q'ty : 1,000 pcs/Bag

### ■ WAFER

Part No. : JS-1259

Poles : 2 - 30

Material : Contact : Copper Alloy

Solder Nail : Brass

Finish : Tin Plated or Gold Plated

Base : Nylon PA9T UL94V-0

Q'ty : 2,000 pcs/Tape & Reel

### ■ TERMINAL

Part No. : JS-1258-T (G1)

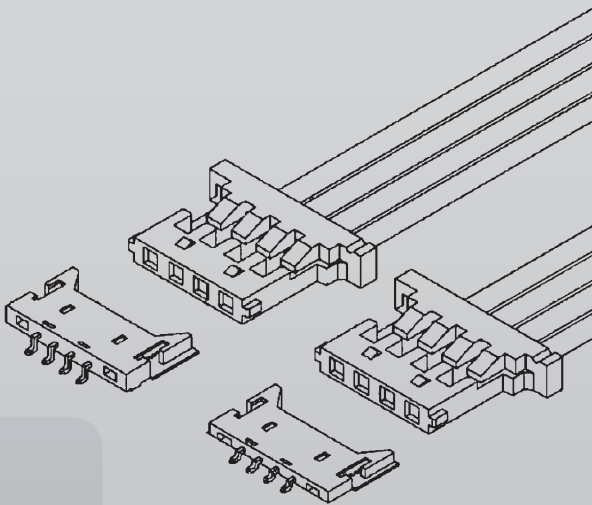
Applicable Wires : AWG# 28-32

Material : Phos. Bronze

Finish : 3 $\mu$  Gold Plated

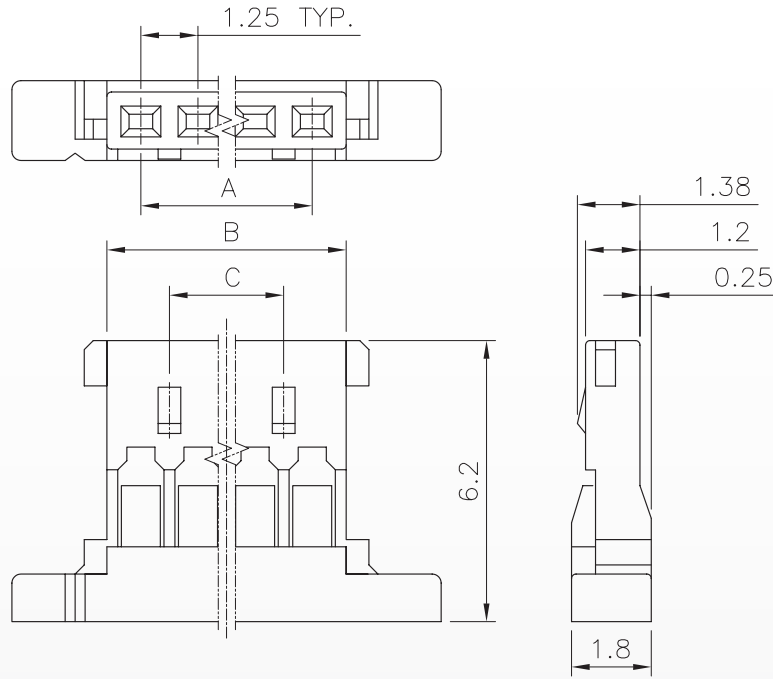
Thickness : 0.15mm

Q'ty : 15,000 pcs/Reel



# 1.25mm (.049") Crimp Style Connectors<SMT>

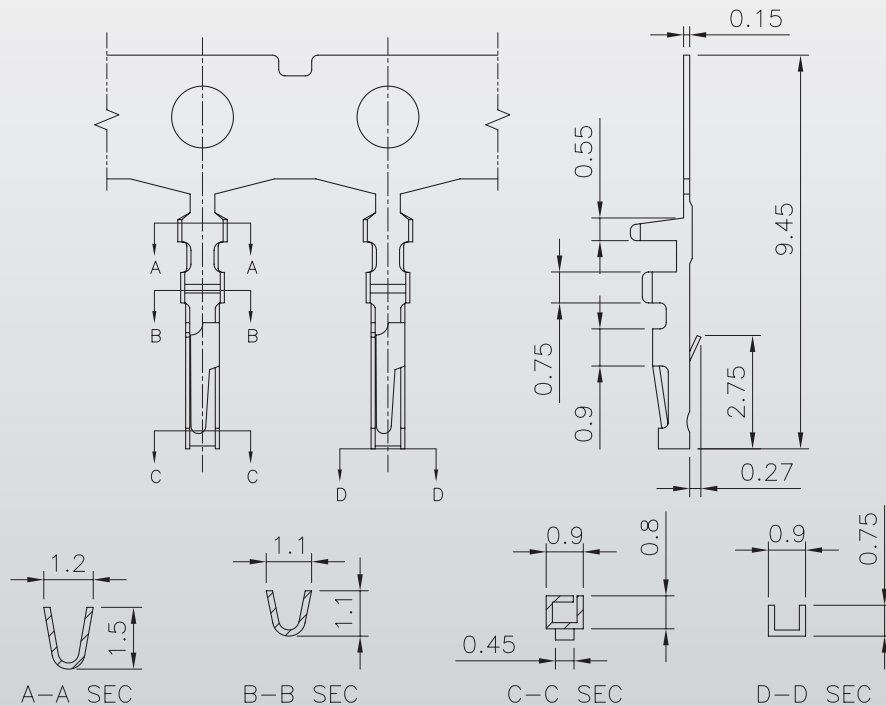
## Housing JS-1258



Poles	Part No.	Dimensions (mm)		
	JS-1258	A	B	C
2	JS-1258-02	1.25	2.70	-----
3	JS-1258-03	2.50	3.95	-----
4	JS-1258-04	3.75	5.20	2.50
5	JS-1258-05	5.00	6.45	3.75
6	JS-1258-06	6.25	7.70	5.00
7	JS-1258-07	7.50	8.95	6.25
8	JS-1258-08	8.75	10.20	7.50
9	JS-1258-09	10.00	11.45	8.75
10	JS-1258-10	11.25	12.70	10.00
11	JS-1258-11	12.50	13.95	11.25
12	JS-1258-12	13.75	15.20	12.50

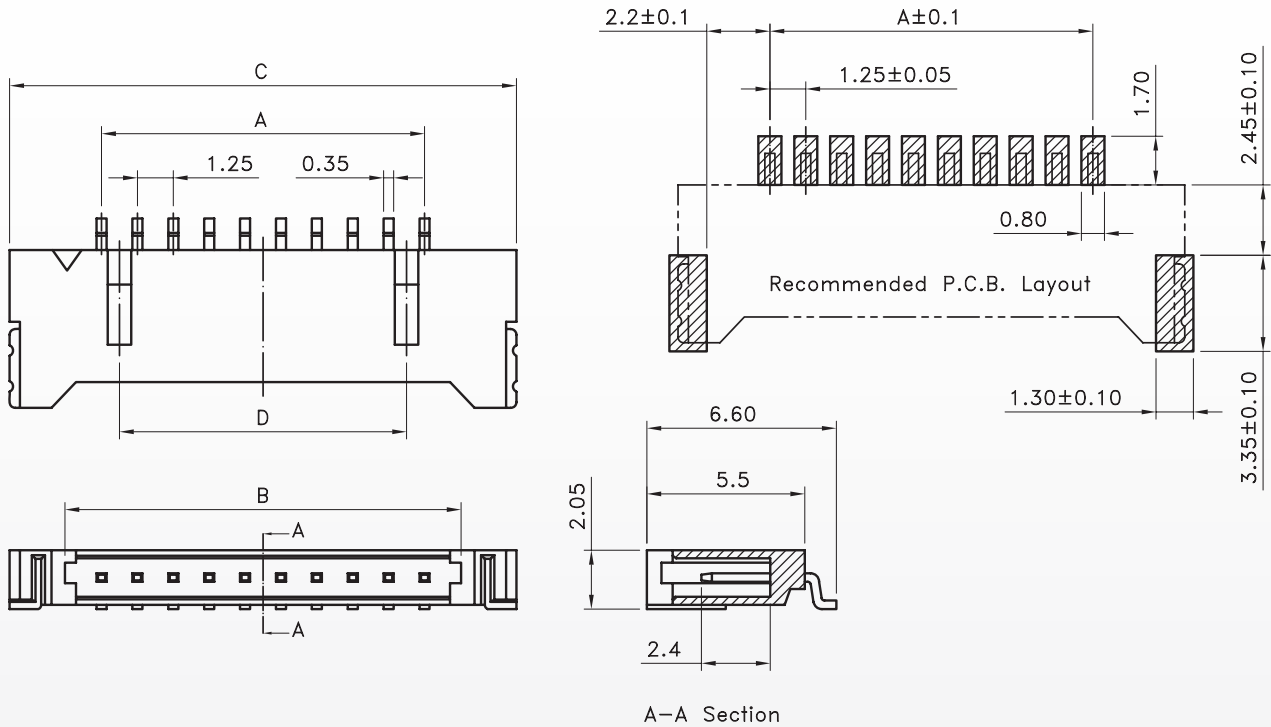
Poles	Part No.	Dimensions (mm)		
	JS-1258	A	B	C
13	JS-1258-13	15.00	16.45	13.75
14	JS-1258-14	16.25	17.70	15.00
15	JS-1258-15	17.50	18.95	16.25
16	JS-1258-16	18.75	20.20	17.50
18	JS-1258-18	21.25	22.70	20.00
20	JS-1258-20	23.75	25.20	22.50
22	JS-1258-22	26.25	27.70	25.00
24	JS-1258-24	28.75	30.20	27.50
26	JS-1258-26	31.25	32.70	30.00
28	JS-1258-28	33.75	35.20	32.50
30	JS-1258-30	36.25	37.70	35.00

## Terminal JS-1258-T



# 1.25mm (.049") Crimp Style Connectors<SMT>

## Wafer JS-1259



Poles	Part No.	Dimensions (mm)			
		A	B	C	D
2	JS-1259-02	1.25	3.80	7.65	-----
3	JS-1259-03	2.50	5.05	8.90	-----
4	JS-1259-04	3.75	6.30	10.15	2.50
5	JS-1259-05	5.00	7.55	11.40	3.75
6	JS-1259-06	6.25	8.80	12.65	5.00
7	JS-1259-07	7.50	10.05	13.90	6.25
8	JS-1259-08	8.75	11.30	15.15	7.50
9	JS-1259-09	10.00	12.55	16.40	8.75
10	JS-1259-10	11.25	13.80	17.65	10.00
11	JS-1259-11	12.50	15.05	18.90	11.25
12	JS-1259-12	13.75	16.30	20.15	12.50
13	JS-1259-13	15.00	17.55	21.40	13.75
14	JS-1259-14	16.25	18.80	22.65	15.00
15	JS-1259-15	17.50	20.05	23.90	16.25
16	JS-1259-16	18.75	21.30	25.15	17.50
17	JS-1259-17	20.00	22.55	26.40	18.75
18	JS-1259-18	21.25	23.80	27.65	20.00
19	JS-1259-19	22.50	25.05	28.90	21.25
20	JS-1259-20	23.75	26.30	30.15	22.50
21	JS-1259-21	25.00	27.55	31.40	
22	JS-1259-22	26.25	28.80	32.65	
24	JS-1259-24	28.75	31.30	35.15	
26	JS-1259-26	31.25	33.80	37.65	
28	JS-1259-28	33.75	36.30	40.15	
30	JS-1259-30	36.25	38.80	42.65	



# 1.25mm (.049") Crimp Style Connectors<SMT>

## Specifications

- Voltage Rating : 200V AC/DC
- Current Rating : 1A AC/DC
- Withstanding Voltage : 500V AC/minute
- Insulation Resistance : 100MΩ min.
- Temperature Range : -40°C to + 85°C
- Contact Resistance : 40mΩ max.

## Features:

### ■ HOUSING

Part No. : JS-1285-XX (Single Row)  
JS-2285-XX (Double Row)

Poles : 2 - 30 (single Row)

13,15,17,19,21,31,41 (Double Row)

Material : PA66+15%G.F.

Q'ty : 2,000 pcs./Box (for JS-1285-XX)

2,000 pcs./Bag (for JS-2285-XX)

### ■ WAFER

Part No. : JS-1295-XX (Single row, Right Angle)

JS-2295-XX (Double row, Straight)

JS-2295R-XX (Double row, Right Angle)

Poles : 2 - 30

(for JS-1295-XX)

13,15,17,19,21,31,41 (for JS-2295-XX)

21,31,41 (for JS-2295R-XX)

Material : JS-1295-XX

Contact : Brass, Tin plated

Base : PA46 UL94V-0

JS-2295-XX / JS-2295R-XX

Contact : Copper Alloy

Base : PA46 UL94V-0

Q'ty : 2,000 pcs./Tape & Reel

(for JS-1295-XX)

2,000 pcs./Tape & Reel

(for JS-2295-XX, JS-2295R-XX)

### ■ TERMINAL

Part No. : JS-1285-T/TG

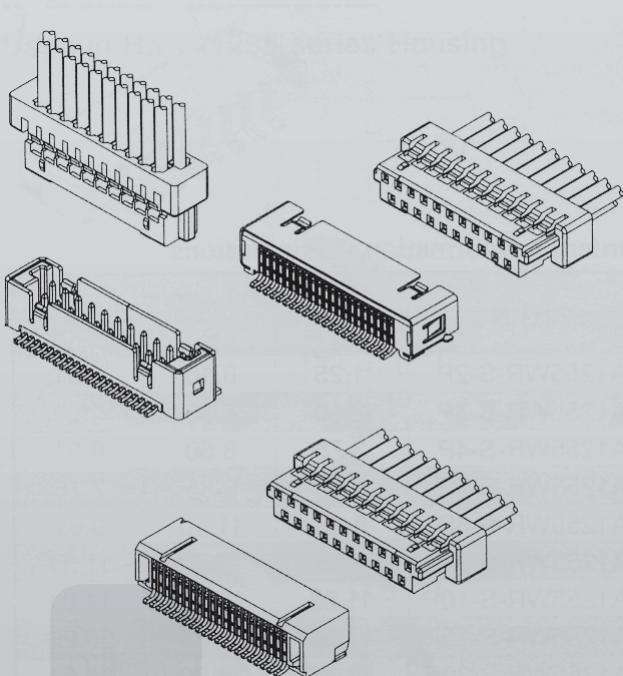
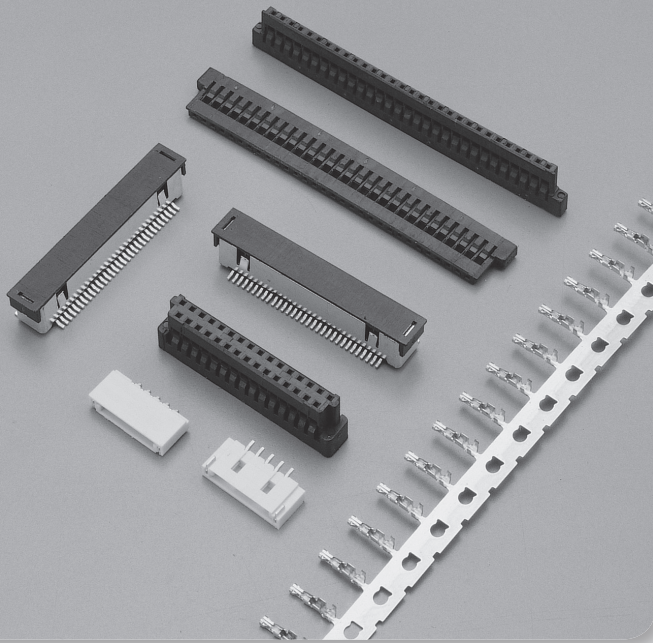
Applicable Wires : AWG# 28-32

Material : Phos. Bronze, or Gold plated

Finish : Tin Plated

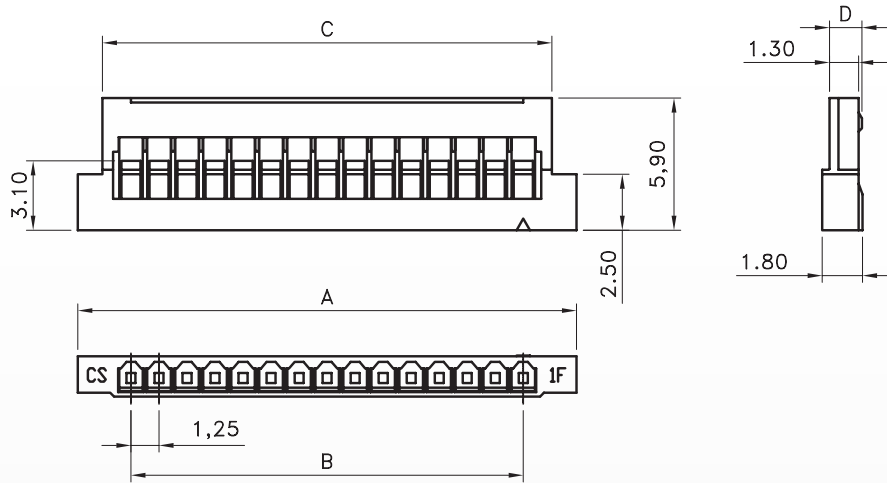
Thickness : 0.15mm

Q'ty : 15,000 pcs/Reel



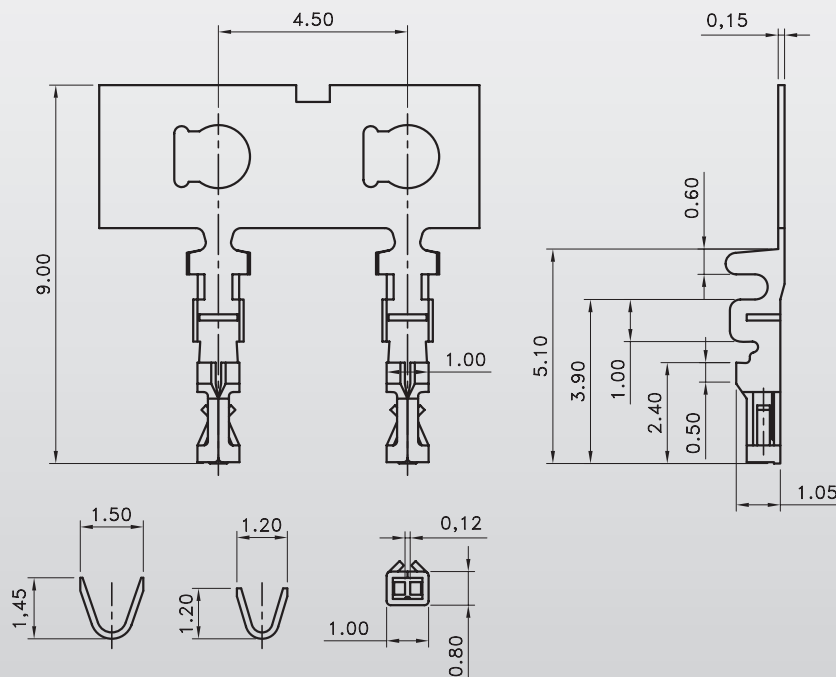
# 1.25mm (.049") Crimp Style Connectors<SMT>

## Housing JS-1285



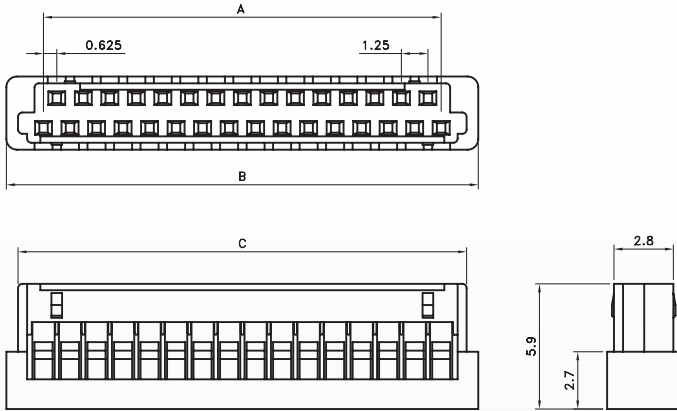
Poles	Part No.	Dimensions (mm)			
	JS-1285-XX	A	B	C	D
2	JS-1285-02	6.00	1.25	3.80	1.50
3	JS-1285-03	7.25	2.50	5.05	1.50
4	JS-1285-04	8.50	3.75	6.30	1.50
5	JS-1285-05	9.75	5.00	7.55	1.45
6	JS-1285-06	11.00	6.25	8.80	1.45
7	JS-1285-07	12.25	7.50	10.05	1.45
8	JS-1285-08	13.50	8.75	11.30	1.45
9	JS-1285-09	14.75	10.00	12.55	1.45
10	JS-1285-10	16.00	11.25	13.80	1.45
12	JS-1285-12	18.50	13.75	16.30	1.45
14	JS-1285-14	21.00	16.25	18.80	1.45
15	JS-1285-15	22.25	17.50	20.05	1.45
20	JS-1285-20	28.50	23.75	26.30	1.45
25	JS-1285-25	34.75	30.00	32.55	1.45
30	JS-1285-30	41.00	36.25	38.80	1.45

## Terminal JS-1285-T



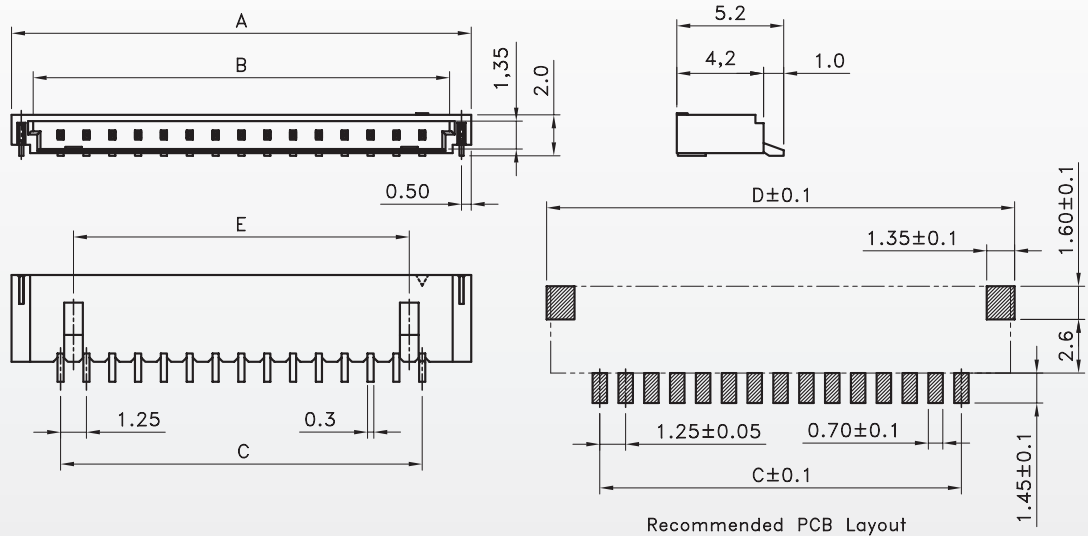
# 1.25mm (.049") Crimp Style Connectors<SMT>

## Housing JS-2285



Part No.	Dimensions (mm)		
JS-2285-XX	A	B	C
JS-2285-13	7.50	11.00	9.90
JS-2285-15	8.75	12.25	11.15
JS-2285-17	10.00	13.50	12.40
JS-2285-19	11.25	14.75	13.65
JS-2285-21	12.50	16.00	14.90
JS-2285-31	18.75	22.25	21.15
JS-2285-41	25.00	28.50	27.40

## Wafer JS-1295

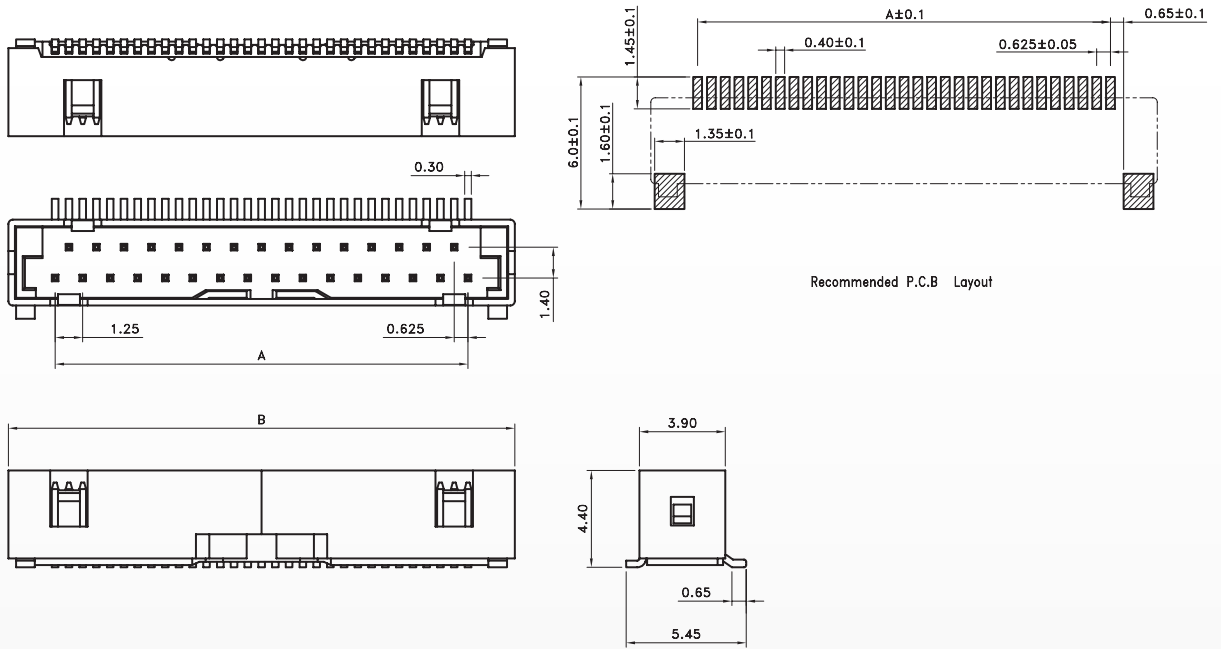


Recommended PCB Layout

Poles	Part No.	Dimensions (mm)				
	JS-1295-XX	A	B	C	D	E
2	JS-1295-02	6.00	3.90	1.25	6.40	-----
3	JS-1295-03	7.25	5.15	2.50	7.65	-----
4	JS-1295-04	8.50	6.40	3.75	8.90	-----
5	JS-1295-05	9.75	7.65	5.00	10.15	3.75
6	JS-1295-06	11.00	8.90	6.25	11.40	5.00
7	JS-1295-07	12.25	10.15	7.50	12.65	6.25
8	JS-1295-08	13.50	11.40	8.75	13.90	7.50
9	JS-1295-09	14.75	12.65	10.00	15.15	8.75
10	JS-1295-10	16.00	13.90	11.25	16.40	10.00
12	JS-1295-12	18.50	16.40	13.75	18.90	12.50
14	JS-1295-14	21.00	18.90	16.25	21.40	15.00
15	JS-1295-15	22.25	20.15	17.50	22.65	16.25
16	JS-1295-16	23.50	21.40	18.75	23.90	17.50
17	JS-1295-17	24.75	22.65	20.00	25.15	18.75
18	JS-1295-18	26.00	23.90	21.25	26.40	20.00
19	JS-1295-19	27.25	25.15	22.50	27.65	21.25
20	JS-1295-20	28.50	26.40	23.75	28.90	22.50
25	JS-1295-25	34.75	32.65	30.00	35.15	23.75
30	JS-1295-30	41.00	38.90	36.25	41.40	25.00

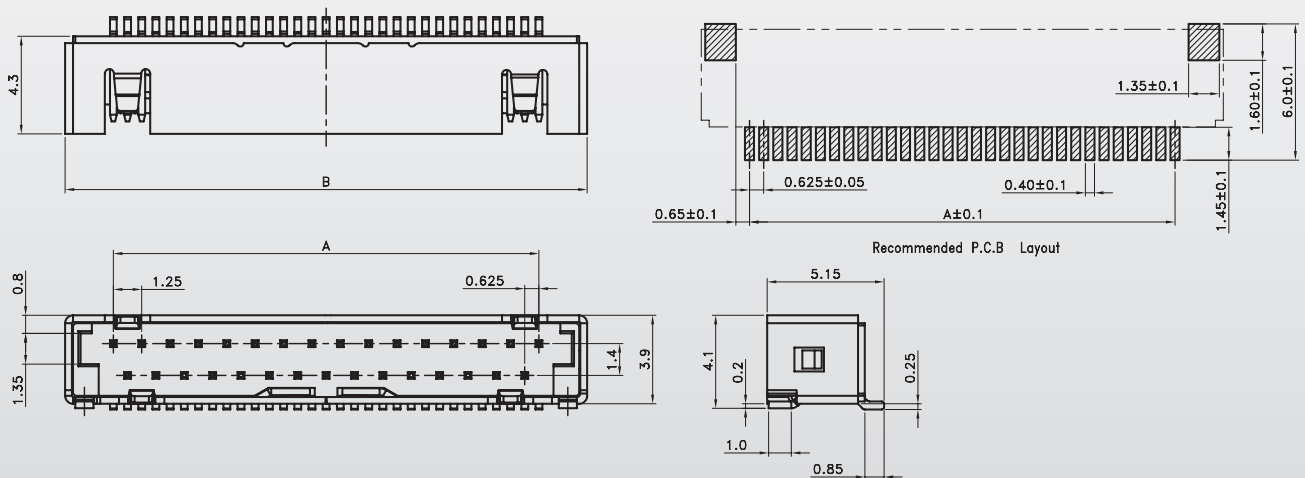
# 1.25mm (.049") Crimp Style Connectors<SMT>

## Wafer JS-2295



Poles	Part No.	Dimensions (mm)	
	JS-2295-XX	A	B
2	JS-2295-13	7.50	11.75
3	JS-2295-15	8.75	13.00
4	JS-2295-17	10.00	14.25
5	JS-2295-19	11.25	15.50
6	JS-2295-21	12.50	16.75
7	JS-2295-31	18.75	23.00
8	JS-2295-41	25.00	29.25

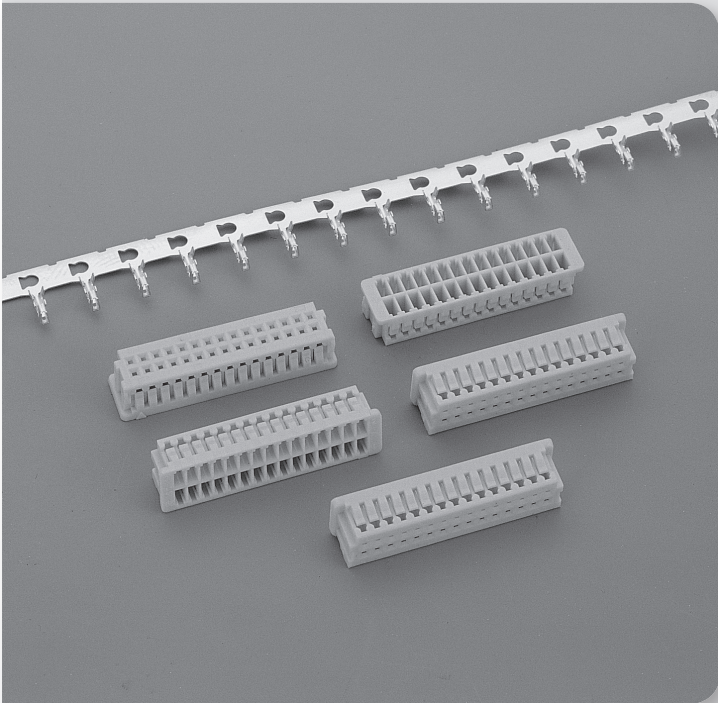
## Wafer JS-2295R



Part No.	Dimensions (mm)	
	A	B
JS-2295R-21	12.50	16.75
JS-2295R-31	18.75	23.00
JS-2295R-41	25.00	29.25



# 1.25mm (.049") Crimp Style Connectors<Double-Row>



## Specifications

- Voltage Rating : 150V AC/DC
- Current Rating : 1A AC/DC
- Withstanding Voltage : 250V AC/minute
- Insulation Resistance : 100M $\Omega$  min.
- Temperature Range : -40°C to + 85°C
- Contact Resistance : 20m $\Omega$  max.

## Features:

### ■ HOUSING

Part No. : JS-2255-XX

Poles : 20,30,40

Material : Nylon 66 UL94V-0

Q'ty : 1,000 pcs/Bag

### ■ TERMINAL

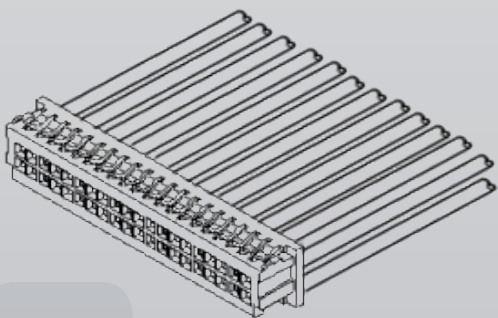
Part No. : JS-2255-TG

Applicable Wires : AWG# 28-32

Material : Phos. Bronze, Gold Plated

Thickness : 0.15mm

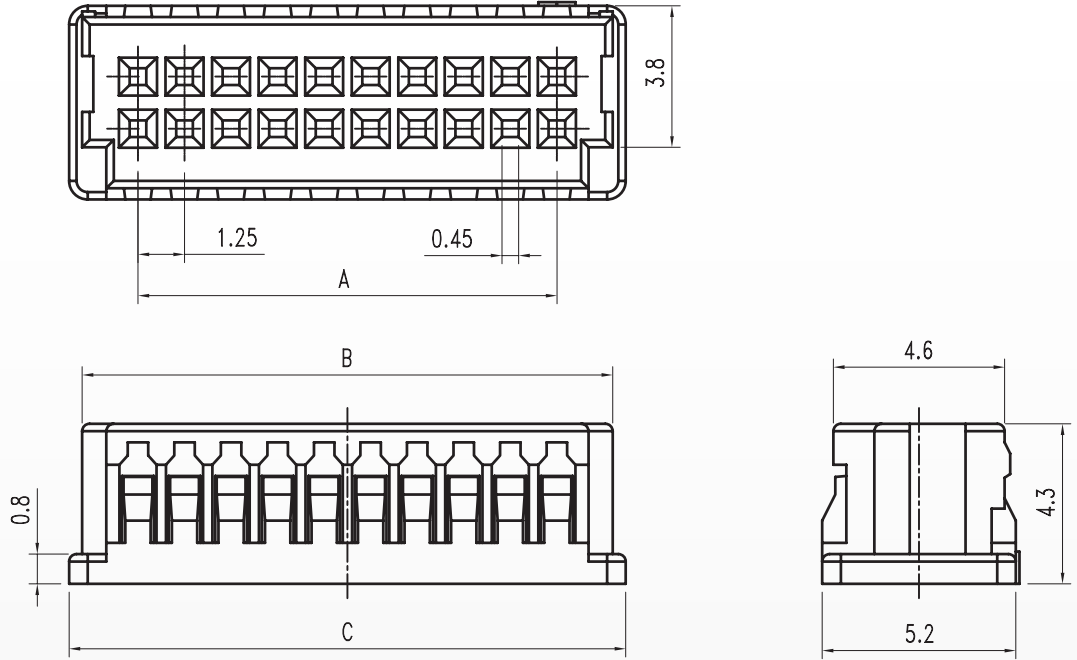
Q'ty : 15,000 pcs/Reel





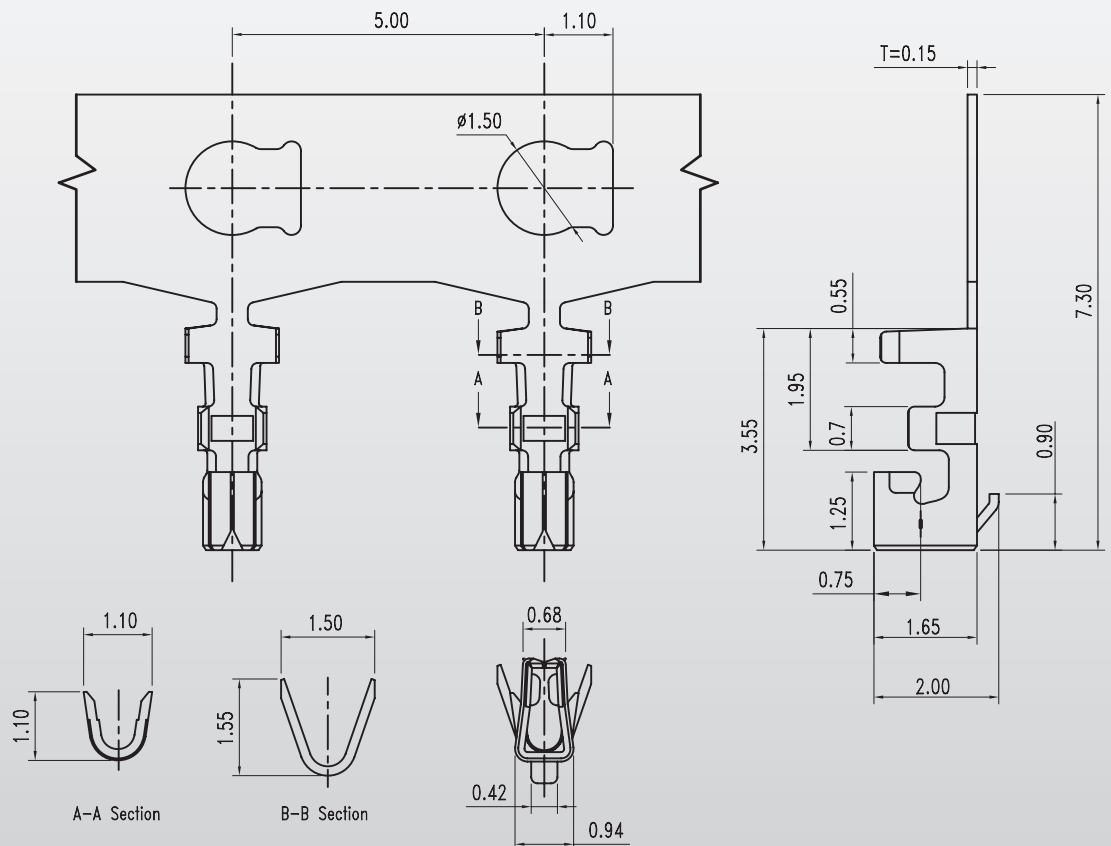
# 1.25mm (.049") Crimp Style Connectors <Double-Row>

## Housing JS-2255



Poles	Part No.	Dimensions (mm)		
		A	B	C
20	JS-2255-20	11.25	14.25	14.95
30	JS-2255-30	17.5	20.5	21.2
40	JS-2255-40	23.75	26.75	27.45

## Terminal JS-2255-T



# 1.50mm (.059") Crimp Style Connectors

## Specifications

- Voltage Rating : 50V AC/DC
- Current Rating : 1A AC/DC
- Withstanding Voltage : 500V AC/minute
- Insulation Resistance : 500MΩ min.
- Temperature Range : -25°C to + 85°C
- Contact Resistance : 20mΩ max.

## Features:

### ■ HOUSING

Part No. : JS-1173

Poles : 2 - 15

Material : Nylon 66 UL94V-0 + Glass Fiber

Q,ty : 1,000 pcs/Bag

### ■ WAFER

Part No. : JS-1174 (DIP Type, Straight)

JS-1174R (DIP Type, Right Angle)

JS-1174V (SMT Type, Straight)

JS-1174H (SMT Type, Right Angle)

Poles : 2 - 13 (DIP Type)

2 - 15 (SMT Type)

Material : Contact : Brass, Tin Plated

Base : Nylon 66 UL94V-0 or

Nylon PA46 UL94V-0

(JS-1174,JS-1174R)

Nylon 9T UL94V-0

(JS-1174H,JS-1174V)

Q'ty : 1,000 pcs./Bag (JS-1174,JS-1174R)

1,000 pcs./Tape & Reel

(JS-1174H,JS-1174V)

### ■ TERMINAL

Part No. : JS-1173-T

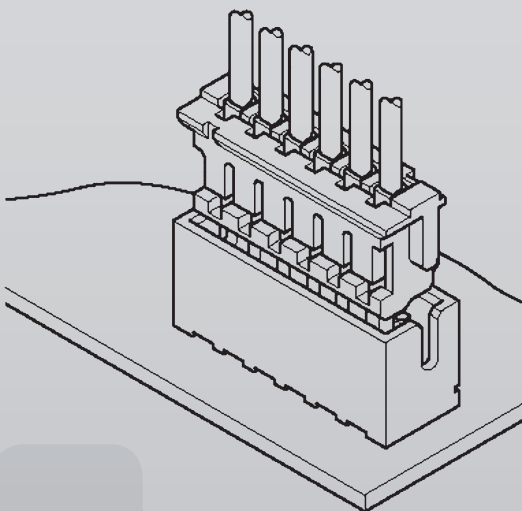
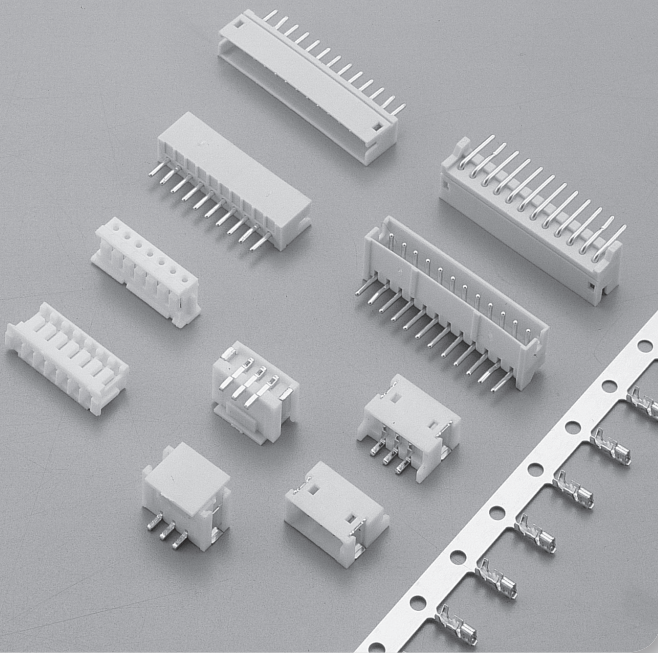
Applicable Wires : AWG# 28-32

Material : Phos. Bronze

Finish : Tin Plated

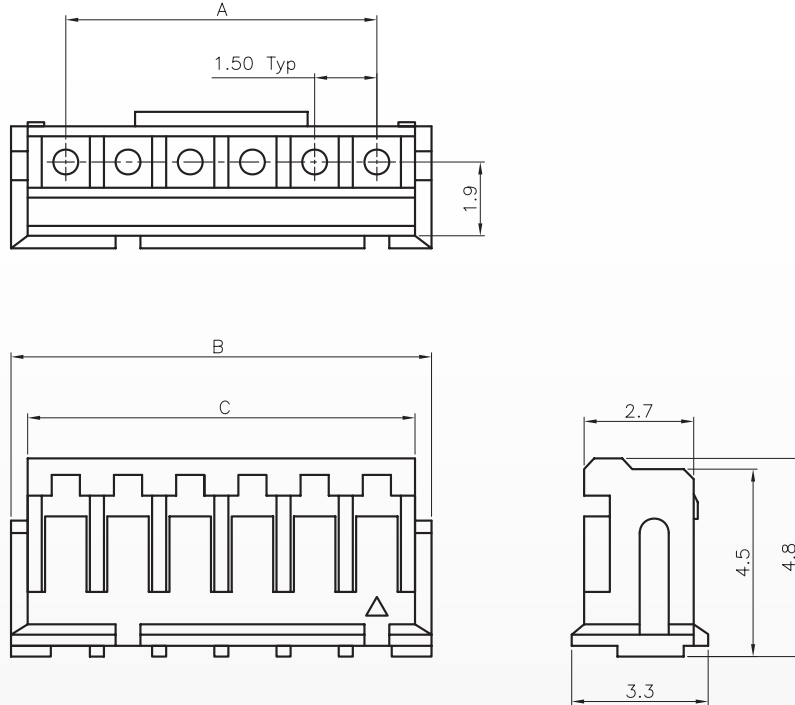
Thickness : 0.20mm

Q'ty : 15,000 pcs/Reel



# 1.50mm (.059") Crimp Style Connectors

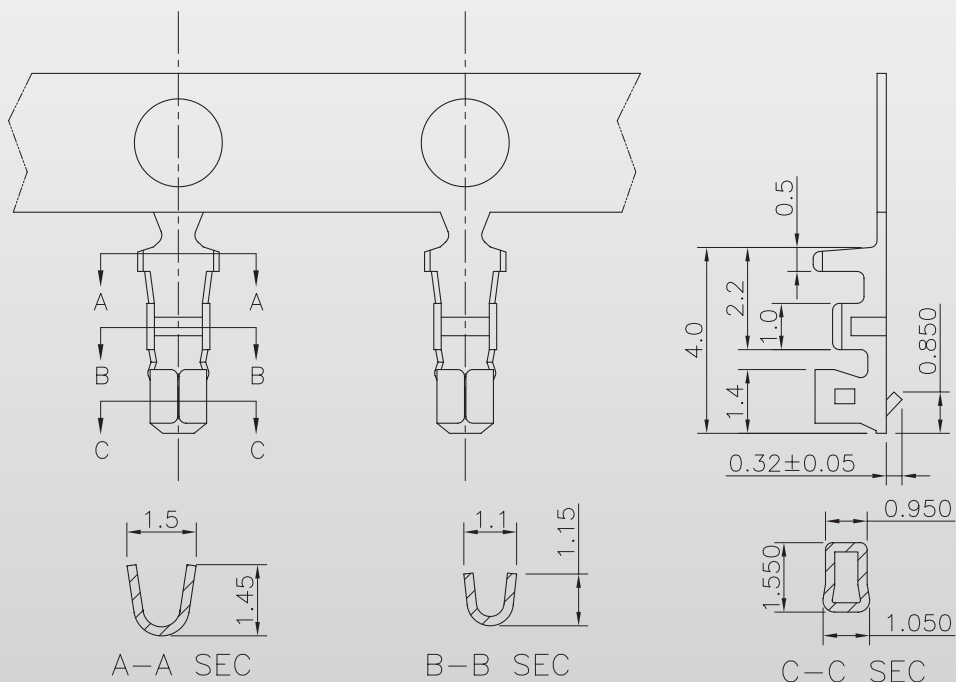
## Housing JS-1173



Poles	Part No.	Dimensions (mm)		
		A	B	C
2	JS-1173-02	1.50	4.50	3.40
3	JS-1173-03	3.00	6.00	4.90
4	JS-1173-04	4.50	7.50	6.40
5	JS-1173-05	6.00	9.00	7.90
6	JS-1173-06	7.50	10.50	9.40
7	JS-1173-07	9.00	12.00	10.90
8	JS-1173-08	10.50	13.50	12.40

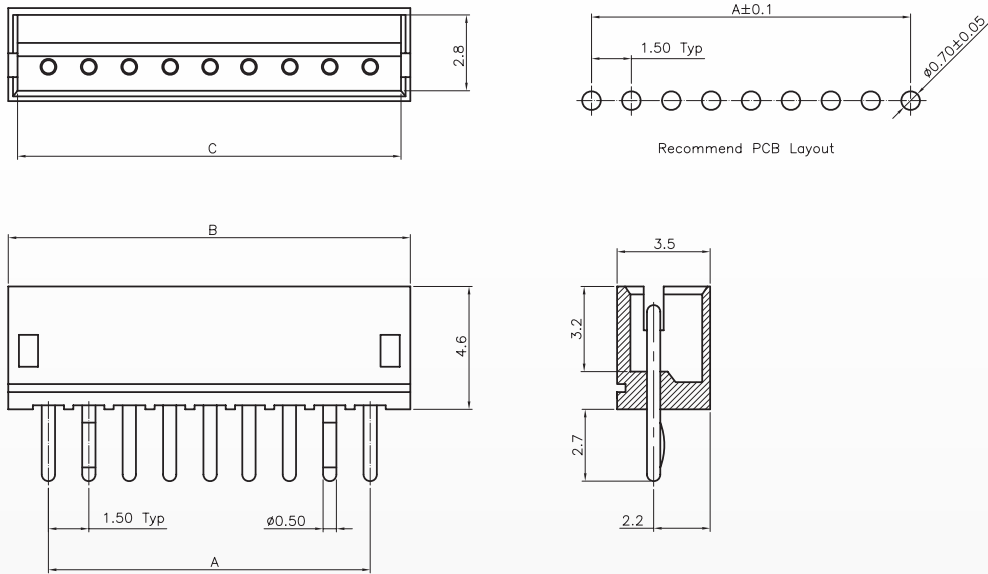
Poles	Part No.	Dimensions (mm)		
		A	B	C
9	JS-1173-09	12.00	15.00	13.90
10	JS-1173-10	13.50	16.50	15.40
11	JS-1173-11	15.00	18.00	16.90
12	JS-1173-12	16.50	19.50	18.40
13	JS-1173-13	18.00	21.00	19.90
14	JS-1173-14	19.50	22.50	21.40
15	JS-1173-15	21.00	24.00	22.90

## Terminal JS-1173-T



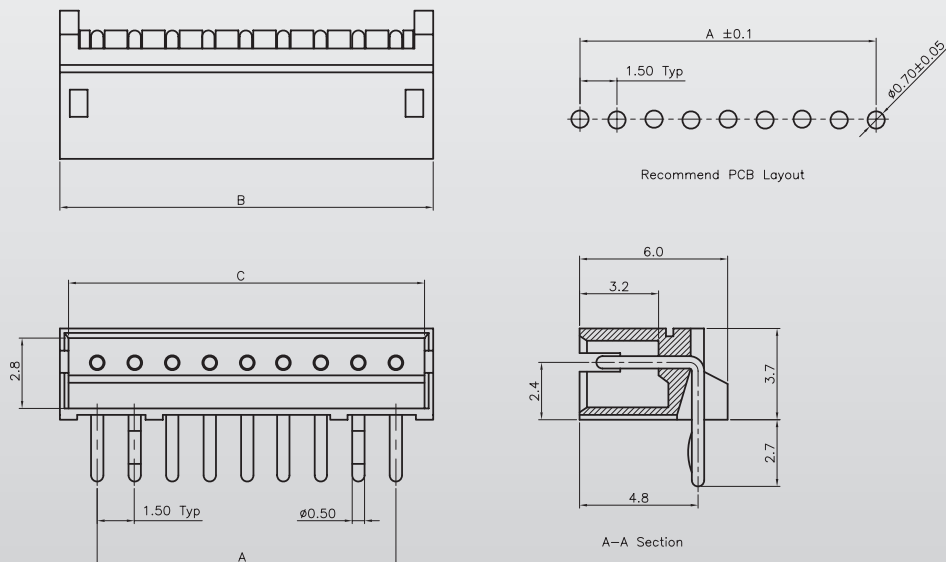
# 1.50mm (.059") Crimp Style Connectors

## Wafer - Straight <DIP Type> JS-1174



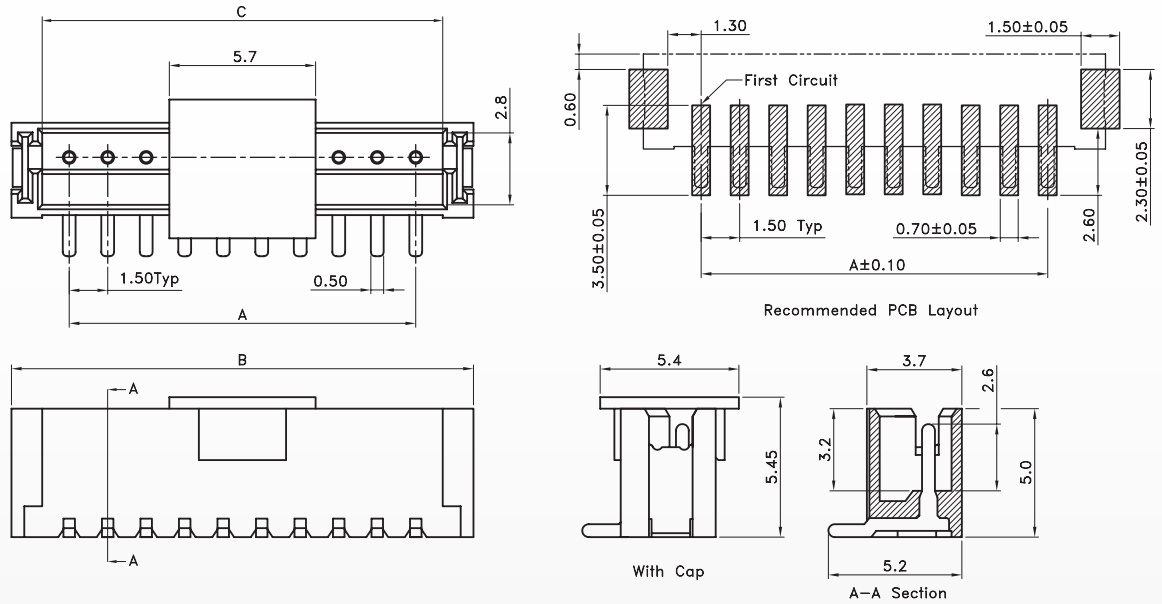
Poles	Part No.		Dimensions (mm)		
	JS-1174	JS-1174R	A	B	C
2	JS-1174-02	JS-1174R-02	1.50	4.50	3.50
3	JS-1174-03	JS-1174R-03	3.00	6.00	5.00
4	JS-1174-04	JS-1174R-04	4.50	7.50	6.50
5	JS-1174-05	JS-1174R-05	6.00	9.00	8.00
6	JS-1174-06	JS-1174R-06	7.50	10.50	9.50
7	JS-1174-07	JS-1174R-07	9.00	12.00	11.00
8	JS-1174-08	JS-1174R-08	10.50	13.50	12.50
9	JS-1174-09	JS-1174R-09	12.00	15.00	14.00
10	JS-1174-10	JS-1174R-10	13.50	16.50	15.50
11	JS-1174-11	JS-1174R-11	15.00	18.00	17.00
12	JS-1174-12	JS-1174R-12	16.50	19.50	18.50
13	JS-1174-13	JS-1174R-13	18.00	21.00	20.00

## Wafer - Right Angle <DIP Type> JS-1174R



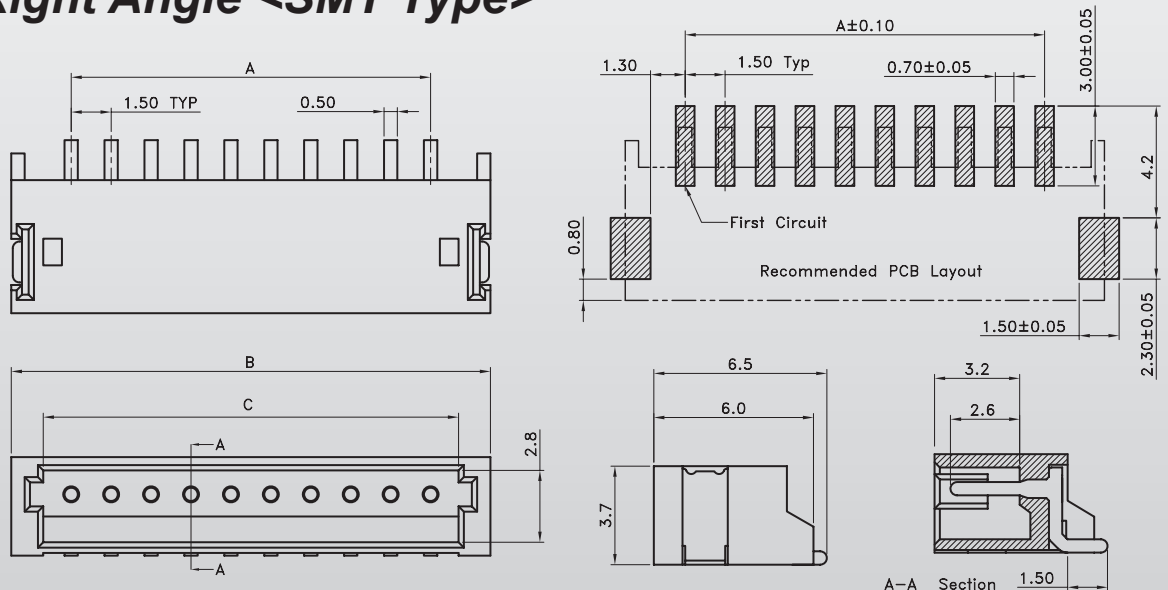
# 1.50mm (.059") Crimp Style Connectors

## Wafer - Straight <SMT Type> JS-1174V



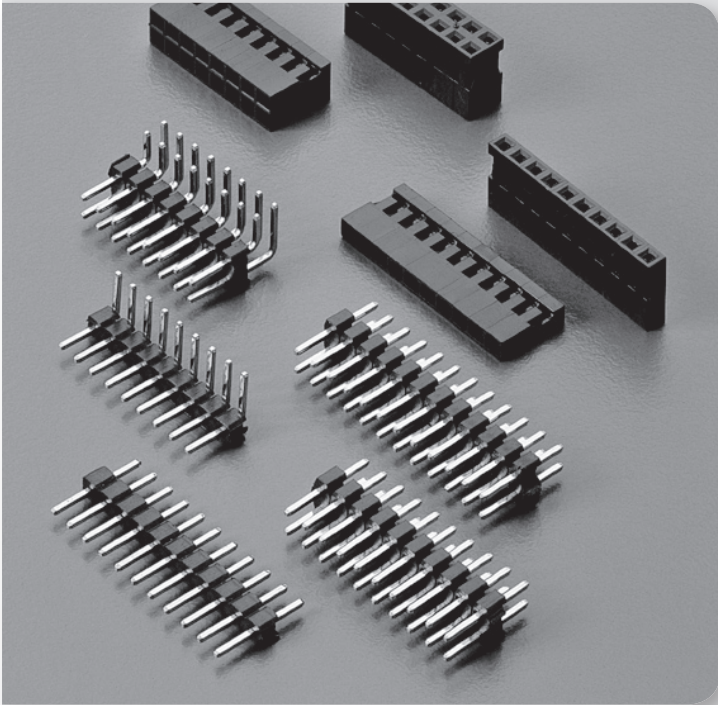
Poles	Part No.		Dimensions (mm)		
	JS-1174V	JS-1174H	A	B	C
2	JS-1174V-02	JS-1174H-02	1.50	6.00	3.60
3	JS-1174V-03	JS-1174H-03	3.00	7.50	5.10
4	JS-1174V-04	JS-1174H-04	4.50	9.00	6.60
5	JS-1174V-05	JS-1174H-05	6.00	10.50	8.10
6	JS-1174V-06	JS-1174H-06	7.50	12.00	9.60
7	JS-1174V-07	JS-1174H-07	9.00	13.50	11.10
8	JS-1174V-08	JS-1174H-08	10.50	15.00	12.60
9	JS-1174V-09	JS-1174H-09	12.00	16.50	14.10
10	JS-1174V-10	JS-1174H-10	13.50	18.00	15.60
11	JS-1174V-11	JS-1174H-11	15.00	19.50	17.10
12	JS-1174V-12	JS-1174H-12	16.50	21.00	18.60
13	JS-1174V-13	JS-1174H-13	18.00	22.50	20.10
14	JS-1174V-14	JS-1174H-14	19.50	24.00	21.60
15	JS-1174V-15	JS-1174H-15	21.00	25.50	23.10

## Wafer - Right Angle <SMT Type> JS-1174H





# 2.00mm (.079") Center Mini Latch Connectors



## Specifications

- Current Rating : 1A AC/DC
- Withstanding Voltage : 500V AC/minute
- Insulation Resistance : 5,000MΩ min.
- Temperature Range : -40°C to + 105°C
- Contact Resistance : 20mΩ max.

## Features:

### ■ HOUSING

Part No. : JS-1126 (Single row)

JS-1127 (Double row)

Poles : 1-40 (Single row)

1x2-40x2 (Double row)

Material : Noryl UL94V-1

Q,ty : 1,000 pcs/Bag

### ■ WAFER

Part No. : JS-1126WS (Single row)(straight)

JS-1126WR (Single row)(Right Angle)

JS-1127WS (Double row)(Staright)

JS-1127WR (Double row)(Right Angle)

Poles : 1 - 40 (Single row)

1x2 - 40x2 (Double row)

Material : Contact : Brass, Gold plated

Base : PBT UL94V-0

Q'ty : 1,000 pcs/Bag

### ■ TERMINAL

Part No. : JS-1126-T

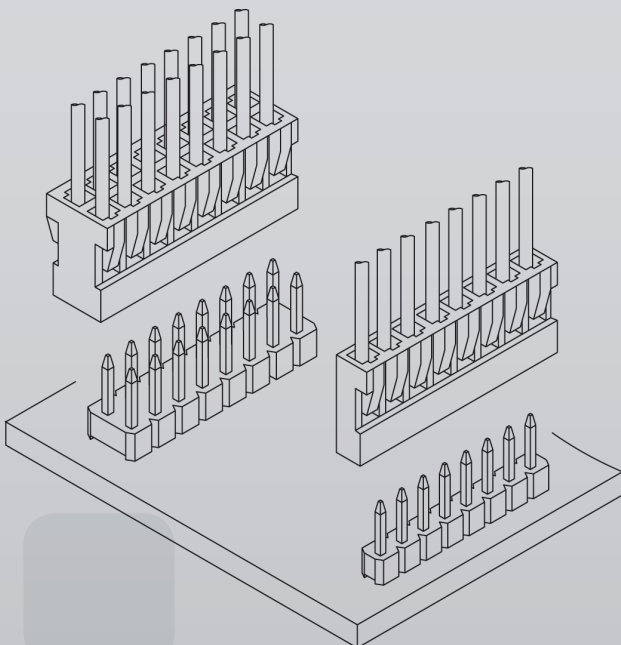
Applicable Wires : AWG# 26-30

Material : Brass

Finish : Gold Plated

Thickness : 0.2mm

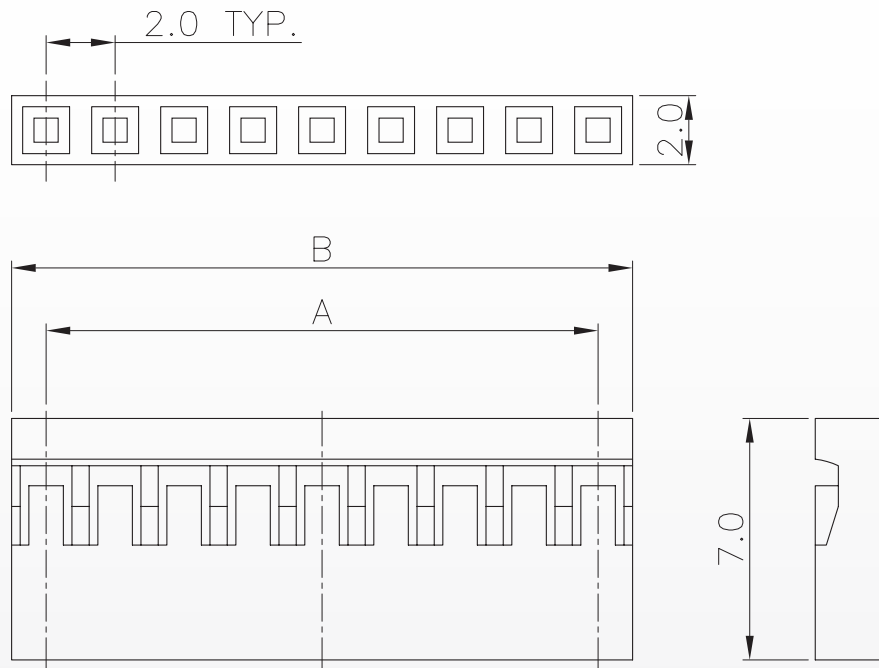
Q'ty : 10,000 pcs/Reel



# 2.00mm (.079") Center Mini Latch Connectors

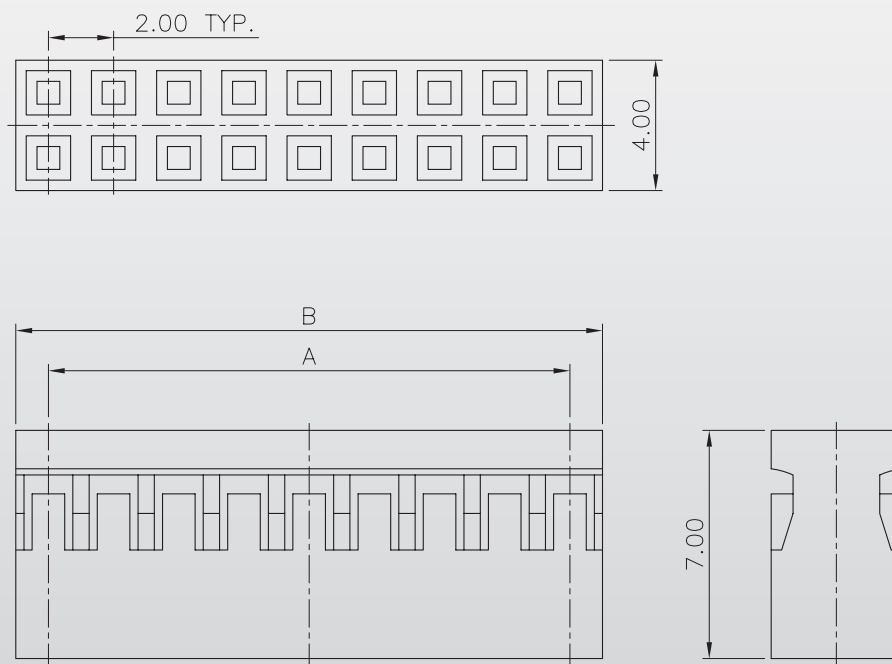
## Housing - Single Row

JS-1126



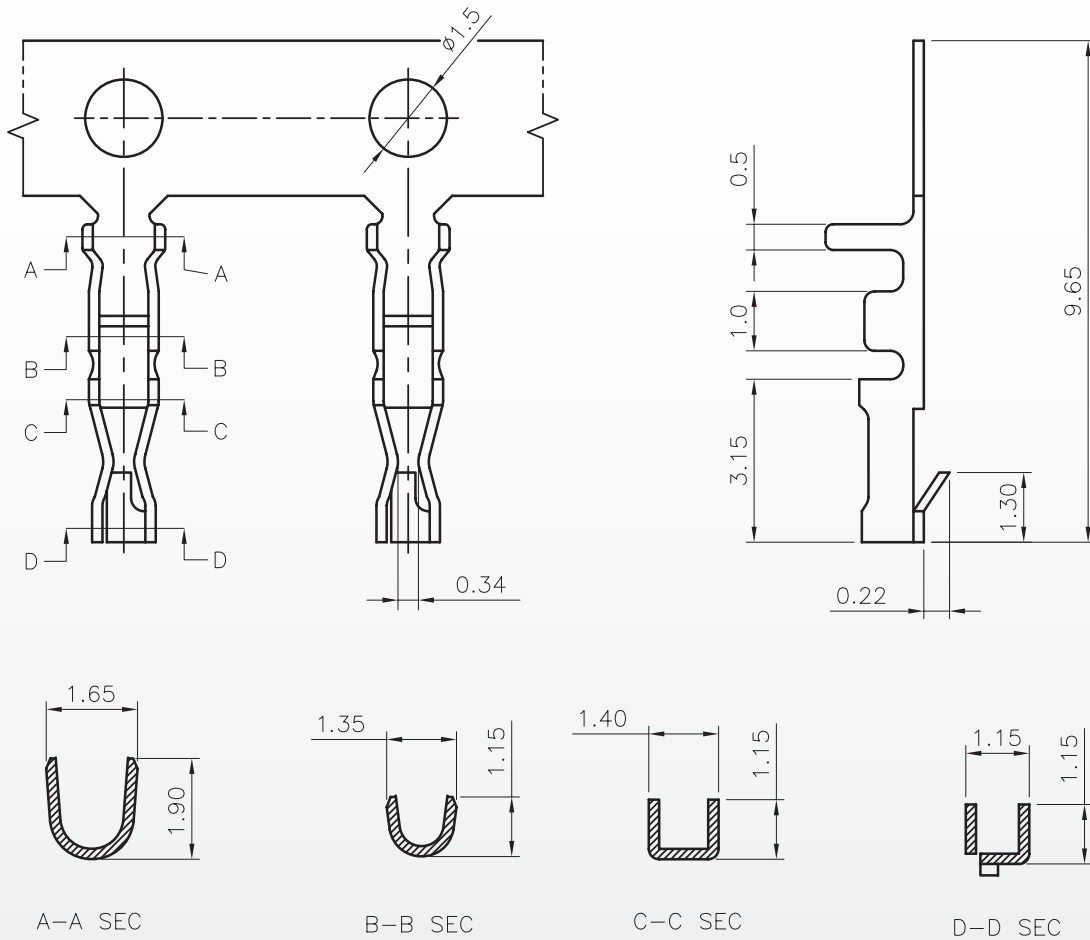
## Housing - Double Row

JS-1127



# 2.00mm (.079") Center Mini Latch Connectors

## Terminal JS-1126-T

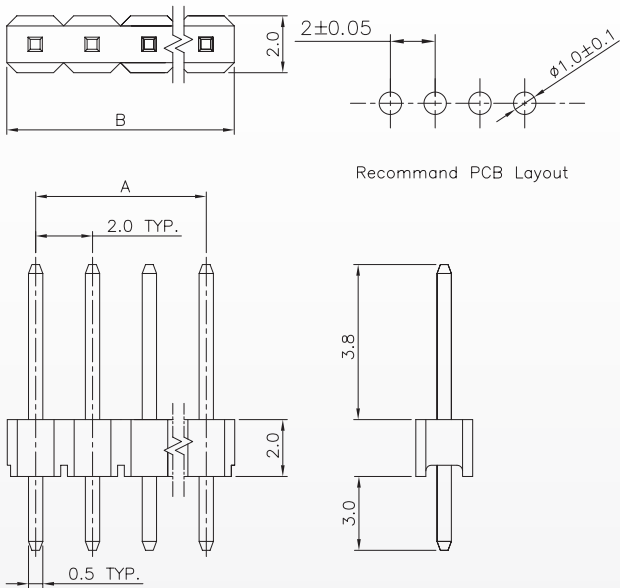


Part No.		Dimensions (mm)		Part No.		Dimensions (mm)	
JS-1126	JS-1127	A	B	JS-1126	JS-1127	A	B
JS-1126-01	JS-1127- 1x2	-----	2.20	JS-1126-21	JS-1127- 21x2	40.00	42.20
JS-1126-02	JS-1127- 2x2	2.00	4.20	JS-1126-22	JS-1127-22X2	42.00	44.20
JS-1126-03	JS-1126-3X2	4.00	6.20	JS-1126-23	JS-1127-23X2	44.00	46.20
JS-1126-04	JS-1127- 4x2	6.00	8.20	JS-1126-24	JS-1127-24X2	46.00	48.20
JS-1126-05	JS-1127- 5x2	8.00	10.20	JS-1126-25	JS-1127-25X2	48.00	50.20
JS-1126-06	JS-1127- 6x2	10.00	12.20	JS-1126-26	JS-1127-26X2	50.00	52.20
JS-1126-07	JS-1127- 7x2	12.00	14.20	JS-1126-27	JS-1127-27X2	52.00	54.20
JS-1126-08	JS-1127- 8x2	14.00	16.20	JS-1126-28	JS-1127-28X2	54.00	56.20
JS-1126-09	JS-1127- 9x2	16.00	18.20	JS-1126-29	JS-1127-29X2	56.00	58.20
JS-1126-10	JS-1127- 10x2	18.00	20.20	JS-1126-30	JS-1127-30X2	58.00	60.20
JS-1126-11	JS-1127- 11x2	20.00	22.20	JS-1126-31	JS-1127-31X2	60.00	62.20
JS-1126-12	JS-1127- 12x2	22.00	24.20	JS-1126-32	JS-1127-32X2	62.00	64.20
JS-1126-13	JS-1127- 13x2	24.00	26.20	JS-1126-33	JS-1127-33X2	64.00	66.20
JS-1126-14	JS-1127- 14x2	26.00	28.20	JS-1126-34	JS-1127-34X2	66.00	68.20
JS-1126-15	JS-1127- 15x2	28.00	30.20	JS-1126-35	JS-1127-35X2	68.00	70.20
JS-1126-16	JS-1127- 16x2	30.00	32.20	JS-1126-36	JS-1127-36X2	70.00	72.20
JS-1126-17	JS-1127- 17x2	32.00	34.20	JS-1126-37	JS-1127-37X2	72.00	74.20
JS-1126-18	JS-1127- 18x2	34.00	36.20	JS-1126-38	JS-1127-38X2	74.00	76.20
JS-1126-19	JS-1127- 19x2	36.00	38.20	JS-1126-39	JS-1127-39X2	76.00	78.20
JS-1126-20	JS-1127- 20x2	38.00	40.20	JS-1126-30	JS-1127-40X2	78.00	80.20

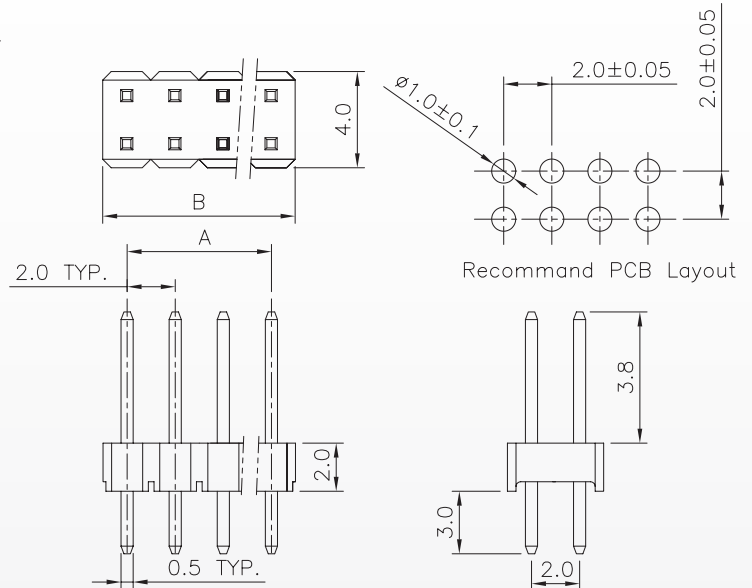
# 2.00mm (.079") Center Mini Latch Connectors

## Wafer - Straight/Single Row JS-1126WS

## Double Row JS-1127WS



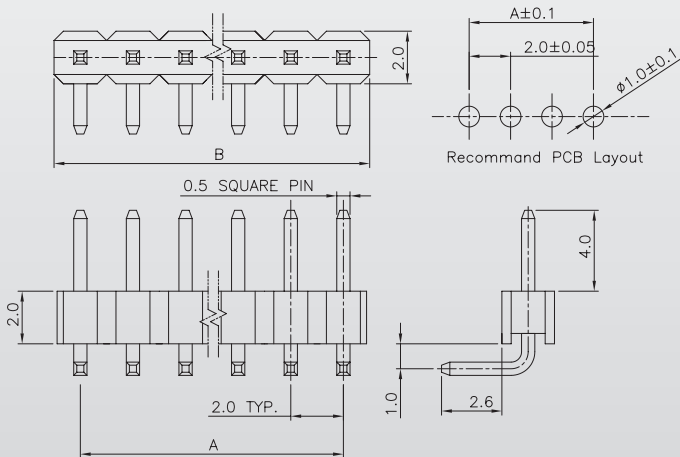
Recommad PCB Layout



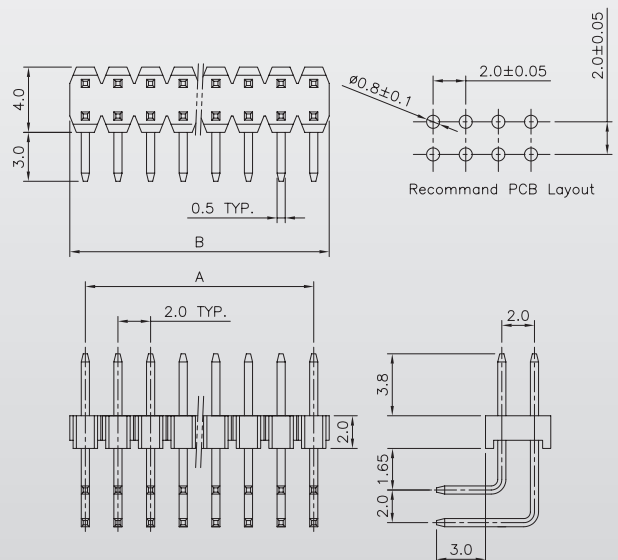
Recommad PCB Layout

## Wafer-Right Angle/Single Row JS-1126WR

## Double Row JS-1127WR



Recommad PCB Layout



Recommad PCB Layout

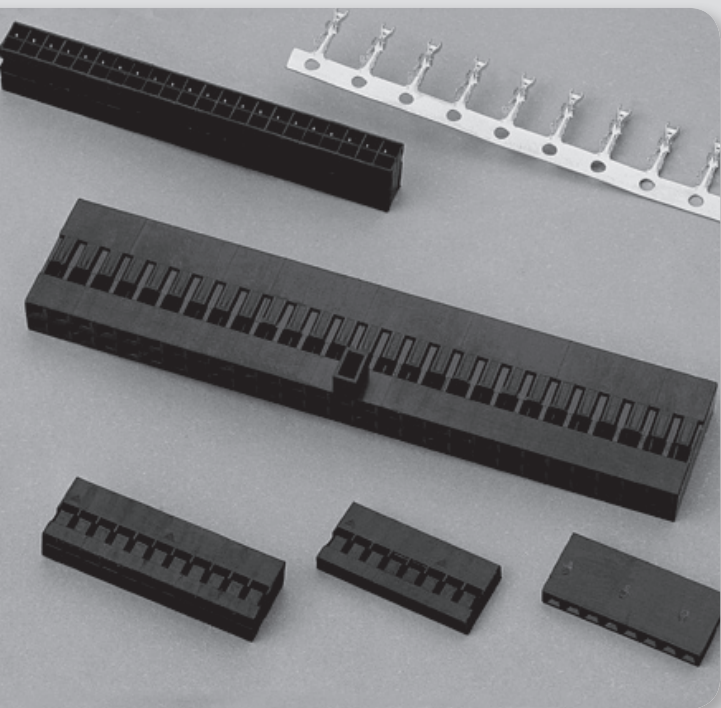
# 2.00mm (.079") Center Mini Latch Connectors

Part No.				Dimensions (mm)	
JS-1126WS	JS-1126WR	JS-1127WS	JS-1127WR	A	B
JS-1126WS-01	JS-1126WR-01	JS-1127WS- 1x2	JS-1127WR- 1x2	-----	2.20
JS-1126WS-02	JS-1126WR-02	JS-1127WS- 2x2	JS-1127WR- 2x2	2.00	4.20
JS-1126WS-03	JS-1126WR-03	JS-1127WS- 3x2	JS-1127WR- 3x2	4.00	6.20
JS-1126WS-04	JS-1126WR-04	JS-1127WS- 4x2	JS-1127WR- 4x2	6.00	8.20
JS-1126WS-05	JS-1126WR-05	JS-1127WS- 5x2	JS-1127WR- 5x2	8.00	10.20
JS-1126WS-06	JS-1126WR-06	JS-1127WS- 6x2	JS-1127WR- 6x2	10.00	12.20
JS-1126WS-07	JS-1126WR-07	JS-1127WS- 7x2	JS-1127WR- 7x2	12.00	14.20
JS-1126WS-08	JS-1126WR-08	JS-1127WS- 8x2	JS-1127WR- 8x2	14.00	16.20
JS-1126WS-09	JS-1126WR-09	JS-1127WS- 9x2	JS-1127WR- 9x2	16.00	18.20
JS-1126WS-10	JS-1126WR-10	JS-1127WS- 10x2	JS-1127WR- 10x2	18.00	20.20
JS-1126WS-11	JS-1126WR-11	JS-1127WS- 11x2	JS-1127WR- 11x2	20.00	22.20
JS-1126WS-12	JS-1126WR-12	JS-1127WS- 12x2	JS-1127WR- 12x2	22.00	24.20
JS-1126WS-13	JS-1126WR-13	JS-1127WS- 13x2	JS-1127WR- 13x2	24.00	26.20
JS-1126WS-14	JS-1126WR-14	JS-1127WS- 14x2	JS-1127WR- 14x2	26.00	28.20
JS-1126WS-15	JS-1126WR-15	JS-1127WS- 15x2	JS-1127WR- 15x2	28.00	30.20
JS-1126WS-16	JS-1126WR-16	JS-1127WS- 16x2	JS-1127WR- 16x2	30.00	32.20
JS-1126WS-17	JS-1126WR-17	JS-1127WS- 17x2	JS-1127WR- 17x2	32.00	34.20
JS-1126WS-18	JS-1126WR-18	JS-1127WS- 18x2	JS-1127WR- 18x2	34.00	36.20
JS-1126WS-19	JS-1126WR-19	JS-1127WS- 19x2	JS-1127WR- 19x2	36.00	38.20
JS-1126WS-20	JS-1126WR-20	JS-1127WS- 20x2	JS-1127WR- 20x2	38.00	40.20
JS-1126WS-21	JS-1126WR-21	JS-1127WS- 21x2	JS-1127WR- 21x2	40.00	42.20
JS-1126WS-22	JS-1126WR-22	JS-1127WS- 22x2	JS-1127WR- 22x2	42.00	44.20
JS-1126WS-23	JS-1126WR-23	JS-1127WS- 23x2	JS-1127WR- 23x2	44.00	46.20
JS-1126WS-24	JS-1126WR-24	JS-1127WS- 24x2	JS-1127WR- 24x2	46.00	48.20
JS-1126WS-25	JS-1126WR-25	JS-1127WS- 25x2	JS-1127WR- 25x2	48.00	50.20
JS-1126WS-26	JS-1126WR-26	JS-1127WS- 26x2	JS-1127WR- 26x2	50.00	52.20
JS-1126WS-27	JS-1126WR-27	JS-1127WS- 27x2	JS-1127WR- 27x2	52.00	54.20
JS-1126WS-28	JS-1126WR-28	JS-1127WS- 28x2	JS-1127WR- 28x2	54.00	56.20
JS-1126WS-29	JS-1126WR-29	JS-1127WS- 29x2	JS-1127WR- 29x2	56.00	58.20
JS-1126WS-30	JS-1126WR-30	JS-1127WS- 30x2	JS-1127WR- 30x2	58.00	60.20
JS-1126WS-31	JS-1126WR-31	JS-1127WS- 31x2	JS-1127WR- 31x2	60.00	62.20
JS-1126WS-32	JS-1126WR-32	JS-1127WS- 32x2	JS-1127WR- 32x2	62.00	64.20
JS-1126WS-33	JS-1126WR-33	JS-1127WS- 33x2	JS-1127WR- 33x2	64.00	66.20
JS-1126WS-34	JS-1126WR-34	JS-1127WS- 34x2	JS-1127WR- 34x2	66.00	68.20
JS-1126WS-35	JS-1126WR-35	JS-1127WS- 35x2	JS-1127WR- 35x2	68.00	70.20
JS-1126WS-36	JS-1126WR-36	JS-1127WS- 36x2	JS-1127WR- 36x2	70.00	72.20
JS-1126WS-37	JS-1126WR-37	JS-1127WS- 37x2	JS-1127WR- 37x2	72.00	74.20
JS-1126WS-38	JS-1126WR-38	JS-1127WS- 38x2	JS-1127WR- 38x2	74.00	76.20
JS-1126WS-39	JS-1126WR-39	JS-1127WS- 39x2	JS-1127WR- 39x2	76.00	78.20
JS-1126WS-40	JS-1126WR-40	JS-1127WS- 40x2	JS-1127WR- 40x2	78.00	80.20

**A**



# 2.00mm (.079") Center Mini Latch Connectors



## Specifications

- Voltage Rating : 100V AC/DC
- Current Rating : 1A AC/DC
- Withstanding Voltage : 1,000V AC/minute
- Insulation Resistance : 1,000MΩ min.
- Temperature Range : -25°C to + 85°C
- Contact Resistance : 20mΩ max.

## Features:

### ■ HOUSING

Part No. : JS-1163 (Single row)

JS-1164 (Double row)

JS-1164B (With Friction Lock; Double row)

JS-1164BN (With Friction Lock; Double row)

Poles : 2 - 40 (Single row)

2x2 - 40x2 (Double row)

Material : Nylon 66 UL94V-2

Q,ty : 1,000 pcs/Bag

### ■ TERMINAL

Part No. : JS-1163-T

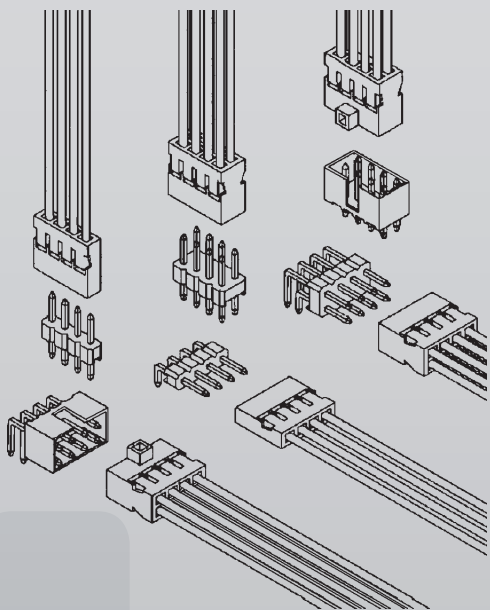
Applicable Wires : AWG# 26-30

Material : Phos. Bronze

Finish : Gold Plated

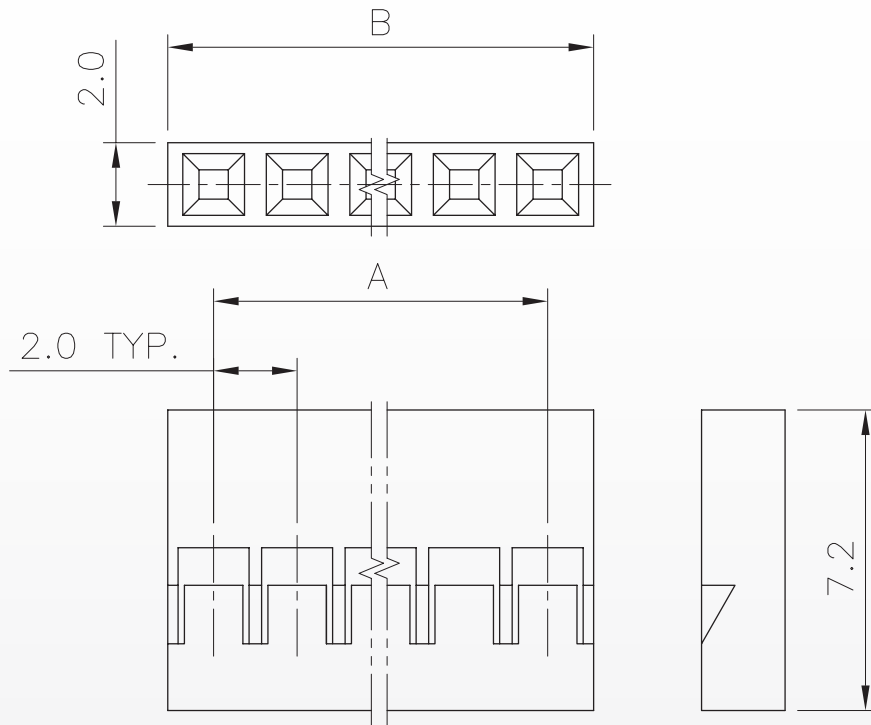
Thickness : 0.2mm

Q'ty : 20,000 pcs/Reel

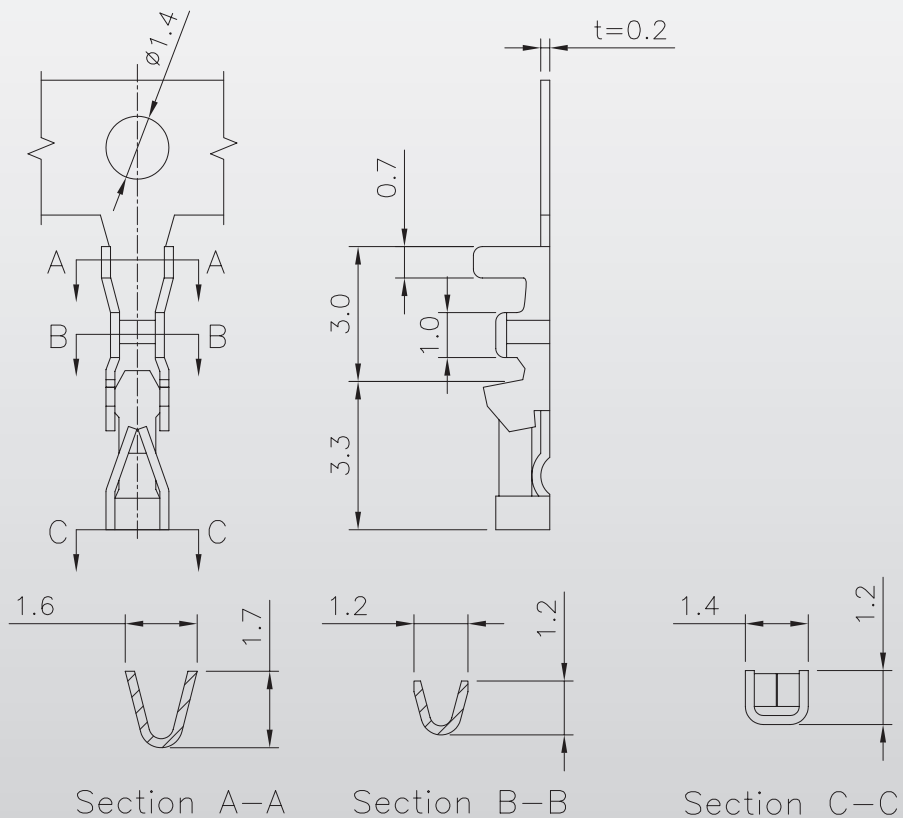


# 2.00mm (.079") Center Mini Latch Connectors

## Housing - Single Row JS-1163

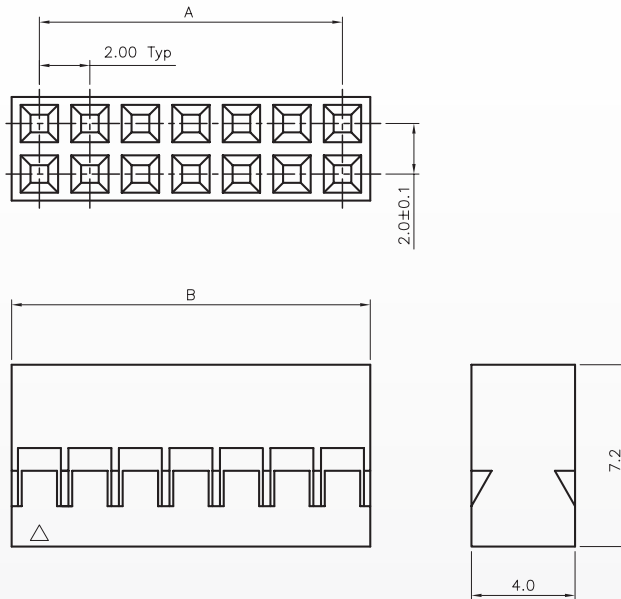


## Terminal JS-1163-T

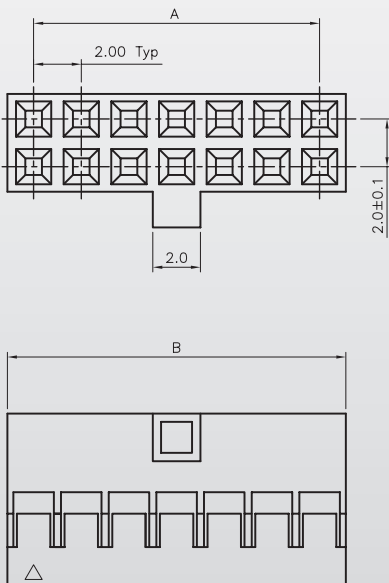


# 2.00mm (.079") Center Mini Latch Connectors

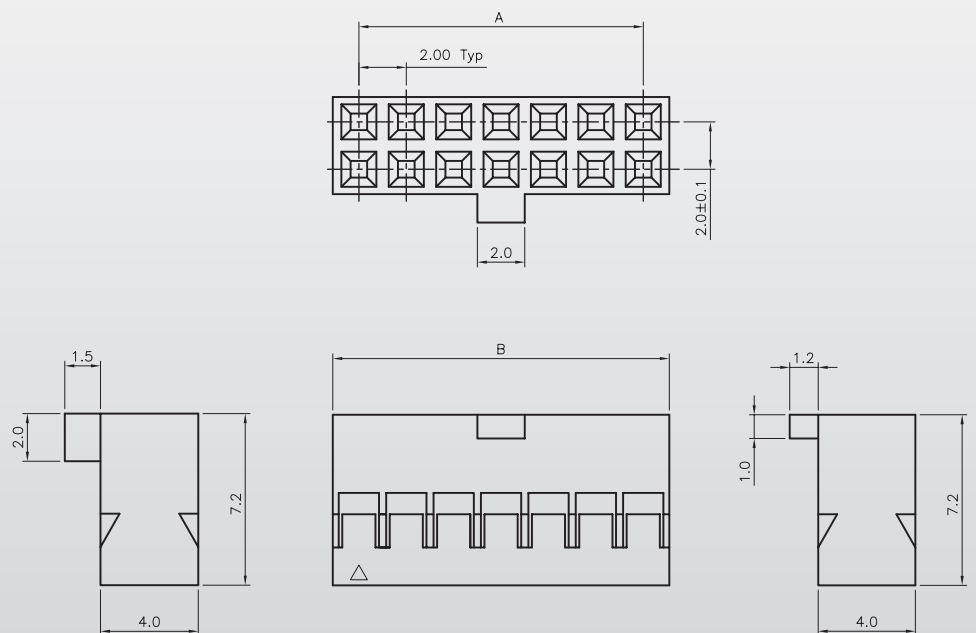
## Housing - Double Row JS-1164



## Housing - Double Row JS-1164B



## Housing - Double Row JS-1164BN

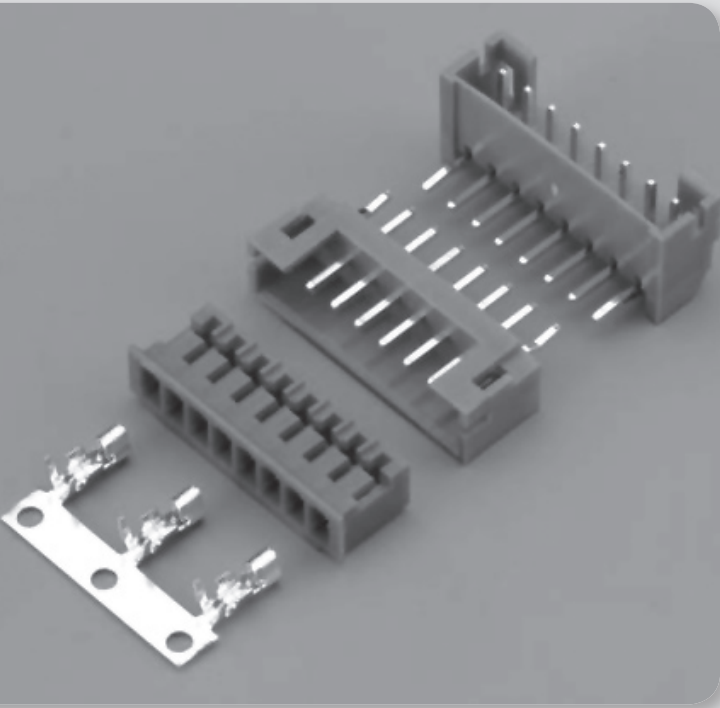


# 2.00mm (.079") Center Mini Latch Connectors

Poles	Part No.			Dimensions (mm)	
	JS-1164	JS-1164B	JS-1164BN	A	B
4	JS-1164-02X2	JS-1164B-02X2	JS-1164BN-02X2	3.00	7.00
6	JS-1164-03X2	JS-1164B-03X2	JS-1164BN-03X2	4.00	8.00
8	JS-1164-04X2	JS-1164B-04X2	JS-1164BN-04X2	5.00	9.00
10	JS-1164-05X2	JS-1164B-05X2	JS-1164BN-05X2	6.00	10.00
12	JS-1164-06X2	JS-1164B-06X2	JS-1164BN-06X2	4.00	8.00
14	JS-1164-07X2	JS-1164B-07X2	JS-1164BN-07X2	5.00	9.00
16	JS-1164-08X2	JS-1164B-08X2	JS-1164BN-08X2	6.00	10.00
18	JS-1164-09X2	JS-1164B-09X2	JS-1164BN-09X2	3.00	7.00
20	JS-1164-10X2	JS-1164B-10X2	JS-1164BN-10X2	4.00	8.00
22	JS-1164-11X2	JS-1164B-11X2	JS-1164BN-11X2	5.00	9.00
24	JS-1164-12X2	JS-1164B-12X2	JS-1164BN-12X2	3.00	7.00
26	JS-1164-13X2	JS-1164B-13X2	JS-1164BN-13X2	4.00	8.00
28	JS-1164-14X2	JS-1164B-14X2	JS-1164BN-14X2	5.00	9.00
30	JS-1164-15X2	JS-1164B-15X2	JS-1164BN-15X2	6.00	10.00
32	JS-1164-16X2	JS-1164B-16X2	JS-1164BN-16X2	4.00	8.00
34	JS-1164-17X2	JS-1164B-17X2	JS-1164BN-17X2	5.00	9.00
36	JS-1164-18X2	JS-1164B-18X2	JS-1164BN-18X2	6.00	10.00
38	JS-1164-19X2	JS-1164B-19X2	JS-1164BN-19X2	3.00	7.00
40	JS-1164-20X2	JS-1164B-20X2	JS-1164BN-20X2	4.00	8.00
42	JS-1164-21X2	JS-1164B-21X2	JS-1164BN-21X2	5.00	9.00
44	JS-1164-22X2	JS-1164B-22X2	JS-1164BN-22X2	3.00	7.00
46	JS-1164-23X2	JS-1164B-23X2	JS-1164BN-23X2	4.00	8.00
48	JS-1164-24X2	JS-1164B-24X2	JS-1164BN-24X2	5.00	9.00
50	JS-1164-25X2	JS-1164B-25X2	JS-1164BN-25X2	6.00	10.00
52	JS-1164-26X2	JS-1164B-26X2	JS-1164BN-26X2	4.00	8.00
54	JS-1164-27X2	JS-1164B-27X2	JS-1164BN-27X2	5.00	9.00
56	JS-1164-28X2	JS-1164B-28X2	JS-1164BN-28X2	6.00	10.00
58	JS-1164-29X2	JS-1164B-29X2	JS-1164BN-29X2	3.00	7.00
60	JS-1164-30X2	JS-1164B-30X2	JS-1164BN-30X2	4.00	8.00
62	JS-1164-31X2	JS-1164B-31X2	JS-1164BN-31X2	5.00	9.00
64	JS-1164-32X2	JS-1164B-32X2	JS-1164BN-32X2	3.00	7.00
66	JS-1164-33X2	JS-1164B-33X2	JS-1164BN-33X2	4.00	8.00
68	JS-1164-34X2	JS-1164B-34X2	JS-1164BN-34X2	5.00	9.00
70	JS-1164-35X2	JS-1164B-35X2	JS-1164BN-35X2	6.00	10.00
72	JS-1164-36X2	JS-1164B-36X2	JS-1164BN-36X2	4.00	8.00
74	JS-1164-37X2	JS-1164B-37X2	JS-1164BN-37X2	5.00	9.00
76	JS-1164-38X2	JS-1164B-38X2	JS-1164BN-38X2	6.00	10.00
78	JS-1164-39X2	JS-1164B-39X2	JS-1164BN-39X2	3.00	7.00
80	JS-1164-40X2	JS-1164B-40X2	JS-1164BN-40X2	4.00	8.00

A

# 2.00mm (.079") Crimp Style Connectors



## Specifications

- Voltage Rating : 250V AC/DC
- Current Rating : 2A AC/DC
- Withstanding Voltage : 500V AC/minute
- Insulation Resistance : 1000MΩ min.
- Temperature Range : -25°C to + 85°C
- Contact Resistance : 20mΩ max.

## Features:

### ■ HOUSING

Part No. : JS-1101-XX

Poles : 2 - 15

Material : Nylon 66 UL94V-0

Q,ty : 1,000 pcs/Bag

### ■ WAFER

Part No. : JS-9001-XX (Straight)

JS-9001R-XX (Right Angle)

Poles : 2 - 15

Material : Contact : Brass, Tin Plated

Base : Nylon 66 UL94V-0

Q'ty : 1,000 pcs./Bag

### ■ TERMINAL

Part No. : JS-1101-TL, JS-1101-TH

Applicable Wires : AWG# 26-28 JS-1101-TL

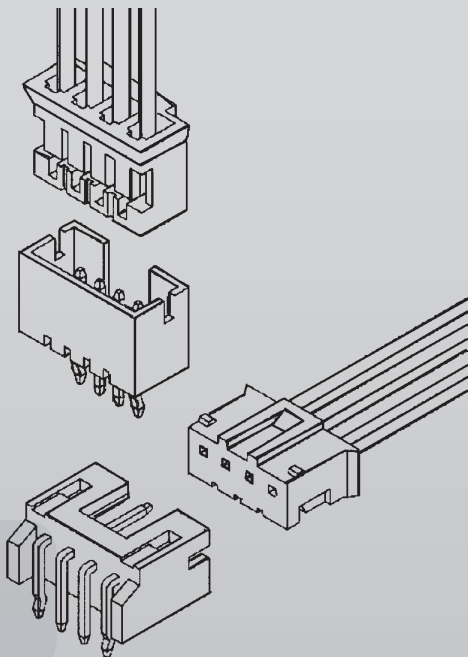
AWG# 22-24 JS-1101-TH

Material : Phos. Bronze

Finish : Tin Plated

Thickness : 0.2mm

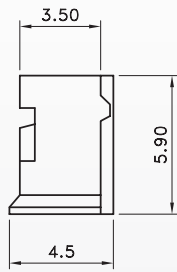
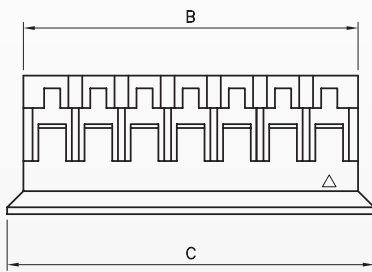
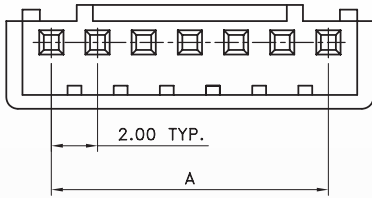
Q'ty : 10,000 pcs/Reel





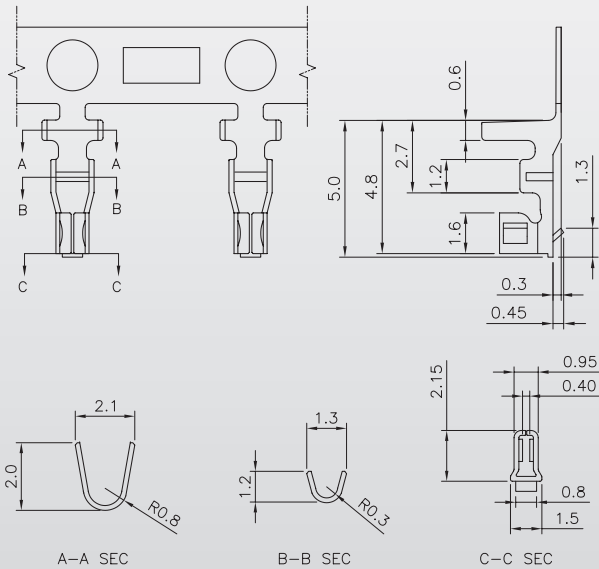
# 2.00mm (.079") Crimp Style Connectors

## Housing JS-1101

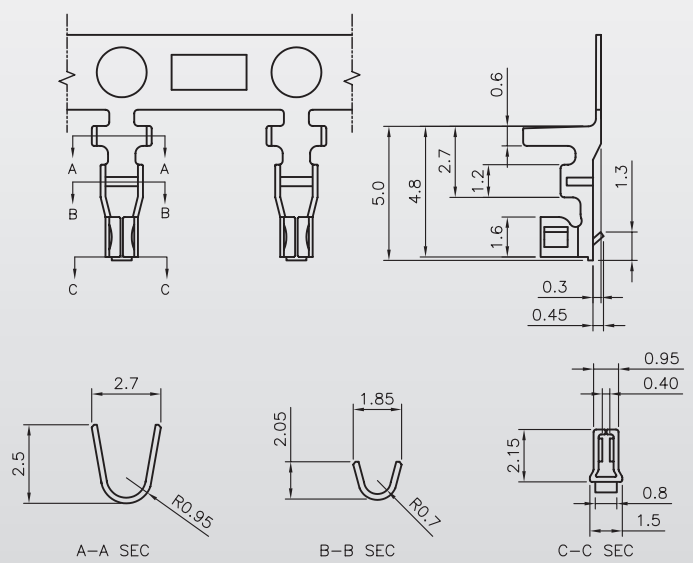


Poles	Part No.	Dimensions (mm)		
		A	B	C
2	JS-1101-02	2.00	4.50	5.60
3	JS-1101-03	4.00	6.50	7.60
4	JS-1101-04	6.00	8.50	9.60
5	JS-1101-05	8.00	10.50	11.60
6	JS-1101-06	10.00	12.50	13.60
7	JS-1101-07	12.00	14.50	15.60
8	JS-1101-08	14.00	16.50	17.60
9	JS-1101-09	16.00	18.50	19.60
10	JS-1101-10	18.00	20.50	21.60
11	JS-1101-11	20.00	22.50	23.60
12	JS-1101-12	22.00	24.50	25.60
13	JS-1101-13	24.00	26.50	27.60
14	JS-1101-14	26.00	28.50	29.60
15	JS-1101-15	28.00	30.50	31.60

## Terminal JS-1101-TL

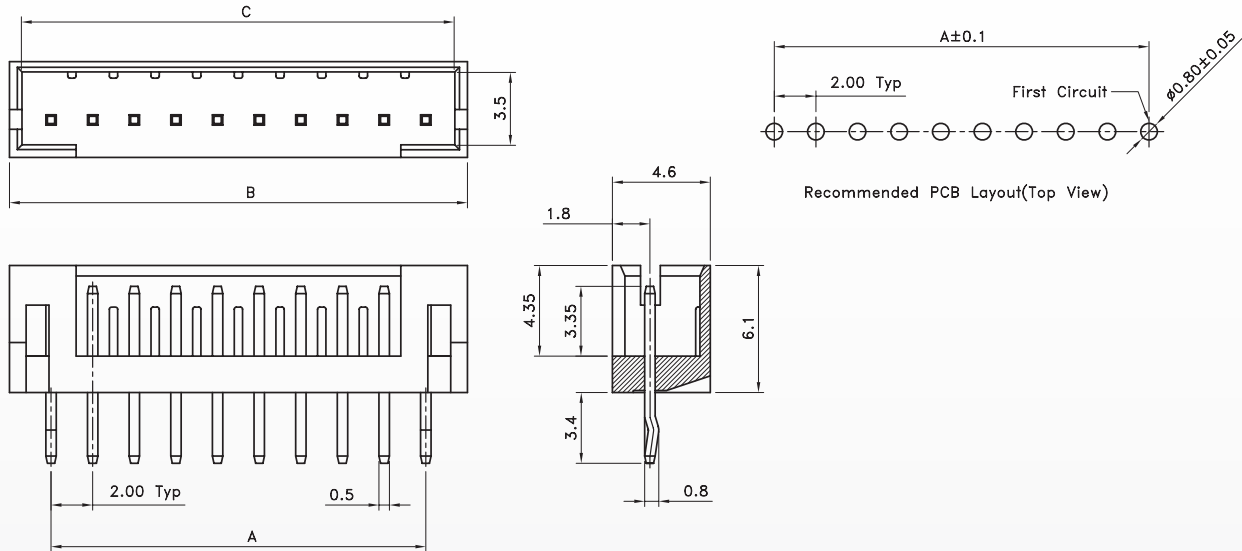


## Terminal JS-1101-TH



# 2.00mm (.079") Crimp Style Connectors

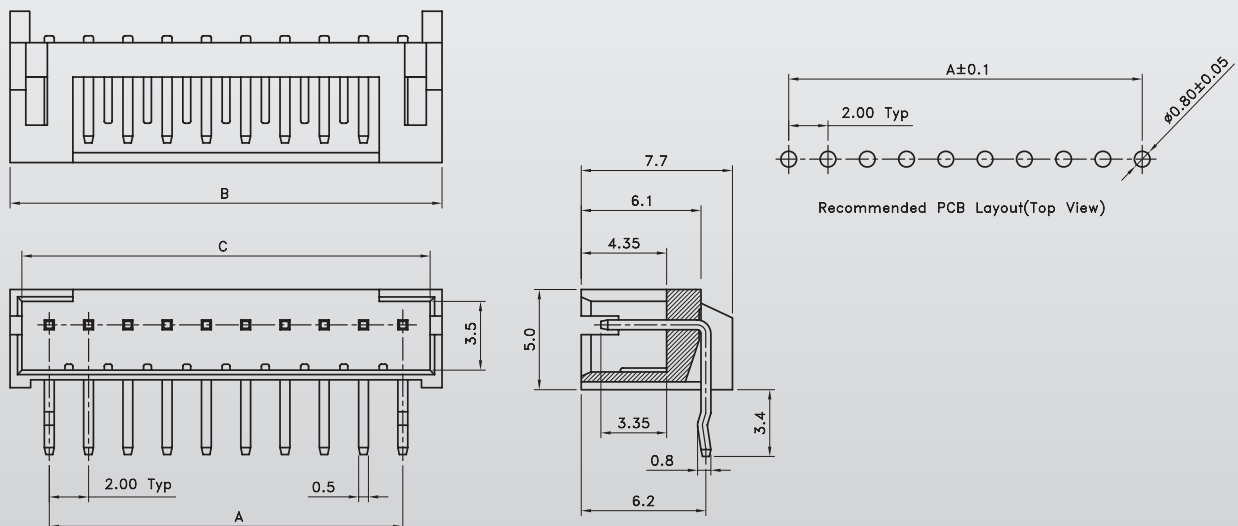
## Wafer - Straight JS-9001



Poles	Part No.		Dimensions (mm)	
	JS-9001	JS-9001R	A	B
2	JS-9001-02	JS-9001R-02	2.00	6.00
3	JS-9001-03	JS-9001R-03	4.00	8.00
4	JS-9001-04	JS-9001R-04	6.00	10.00
5	JS-9001-05	JS-9001R-05	8.00	12.00
6	JS-9001-06	JS-9001R-06	10.00	14.00
7	JS-9001-07	JS-9001R-07	12.00	16.00
8	JS-9001-08	JS-9001R-08	14.00	18.00

Poles	Part No.		Dimensions (mm)	
	JS-9001	JS-9001R	A	B
9	JS-9001-09	JS-9001R-09	16.00	20.00
10	JS-9001-10	JS-9001R-10	18.00	22.00
11	JS-9001-11	JS-9001R-11	20.00	24.00
12	JS-9001-12	JS-9001R-12	22.00	26.00
13	JS-9001-13	JS-9001R-13	24.00	28.00
14	JS-9001-14	JS-9001R-14	26.00	30.00
15	JS-9001-15	JS-9001R-15	28.00	32.00

## Wafer - Right Angle JS-9001R



# 2.00mm (.079") Crimp Style Connectors

## Specifications

- Voltage Rating : 100V AC/DC
- Current Rating : 2A AC/DC
- Withstanding Voltage : 800V AC/minute
- Insulation Resistance : 1000MΩ min.
- Temperature Range : -25°C to + 85°C
- Contact Resistance : 20mΩ max.

## Features:

### ■ HOUSING

Part No. : JS-1124-XX

Poles : 2 - 16

Material : Nylon 66 UL94V-0

Q'ty : 1,000 pcs/Bag

### ■ WAFER

Part No. : JS-1125 (DIP Type, Straight)

JS-1125-XX(K)(With KinK)

JS-1125R (DIP Type, Right Angle)

JS-1261 (SMT Type, Straight)

JS-1261R (SMT Type, Right Angle)

Poles : 2 - 16

Material : Contact : Brass, Tin Plated, (DIP)

Phos. Bronze, Tin Plated, (SMT)

Base : Nylon 66 UL94V-0, (DIP)

Nylon 46 UL94V-0 (SMT)

Q'ty : 1,000 pcs./Bag (JS-1125, JS-1125R)

1,000 pcs./Tape & Reel (JS-1261)

800 pcs./Tape & Reel (JS-1261R)

### ■ TERMINAL

Part No. : JS-1124-T,

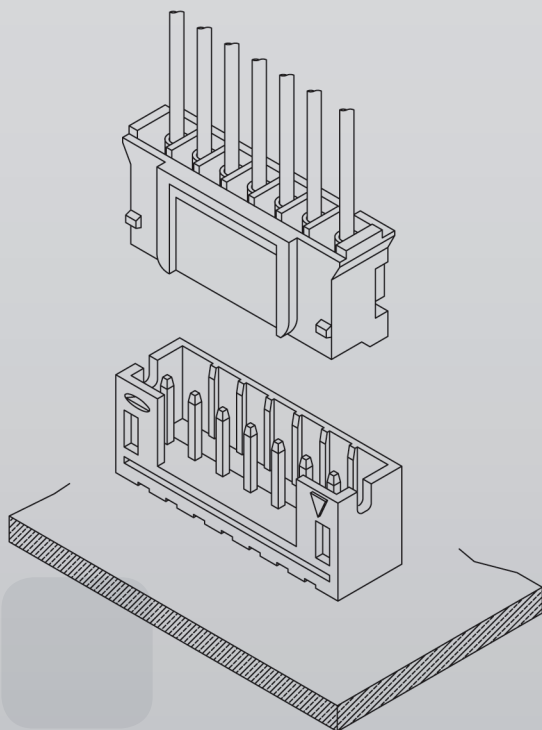
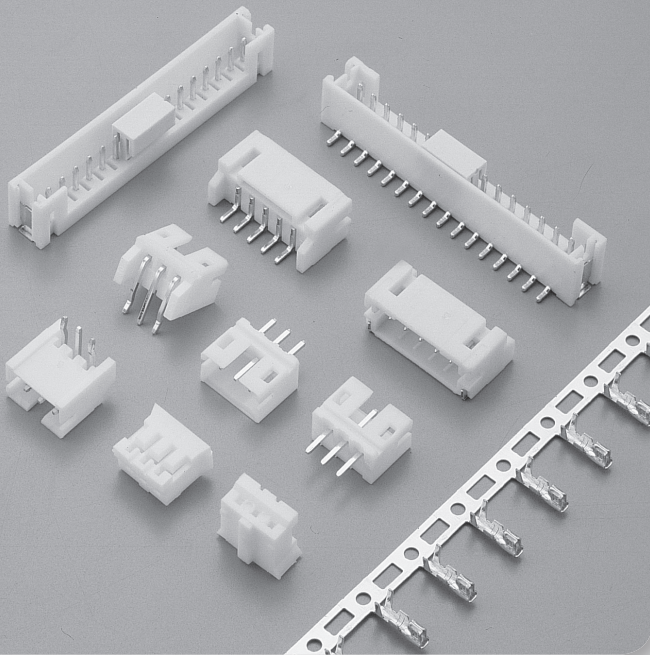
Applicable Wires : AWG# 28-32

Material : Phos. Bronze

Finish : Tin Plated

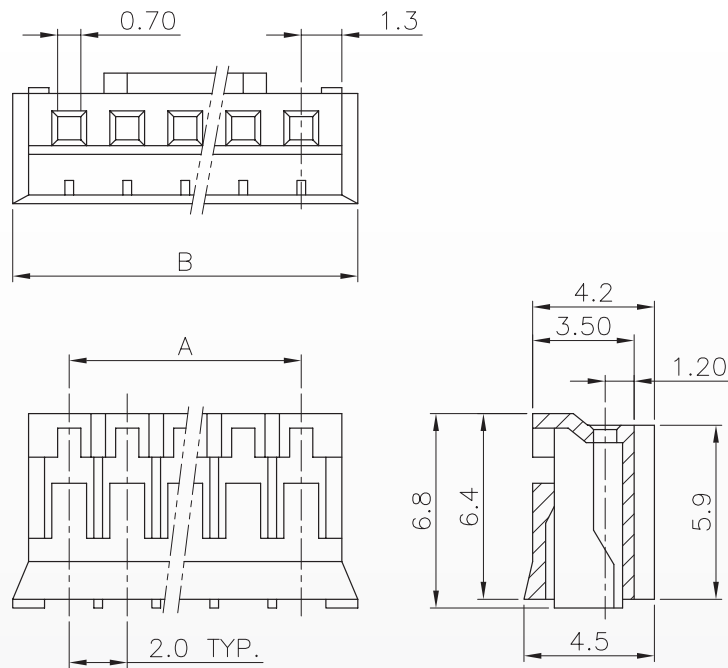
Thickness : 0.2mm

Q'ty : 10,000 pcs/Reel



# 2.00mm (.079") Crimp Style Connectors

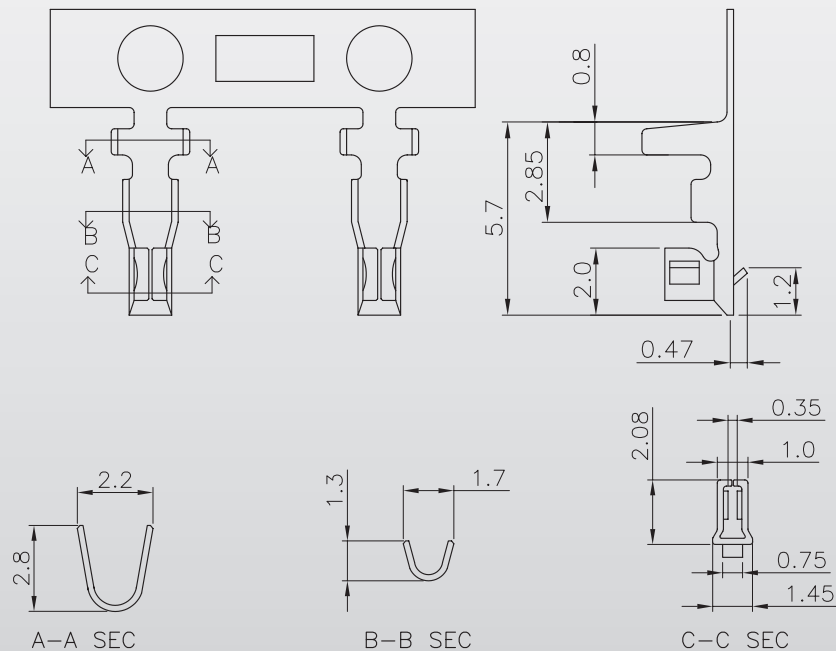
## Housing JS-1124



Poles	Part No.	Dimensions (mm)	
	JS-1124	A	B
2	JS-1124-02	2.00	5.80
3	JS-1124-03	4.00	7.80
4	JS-1124-04	6.00	9.80
5	JS-1124-05	8.00	11.80
6	JS-1124-06	10.00	13.80
7	JS-1124-07	12.00	15.80
8	JS-1124-08	14.00	17.80
9	JS-1124-09	16.00	19.80

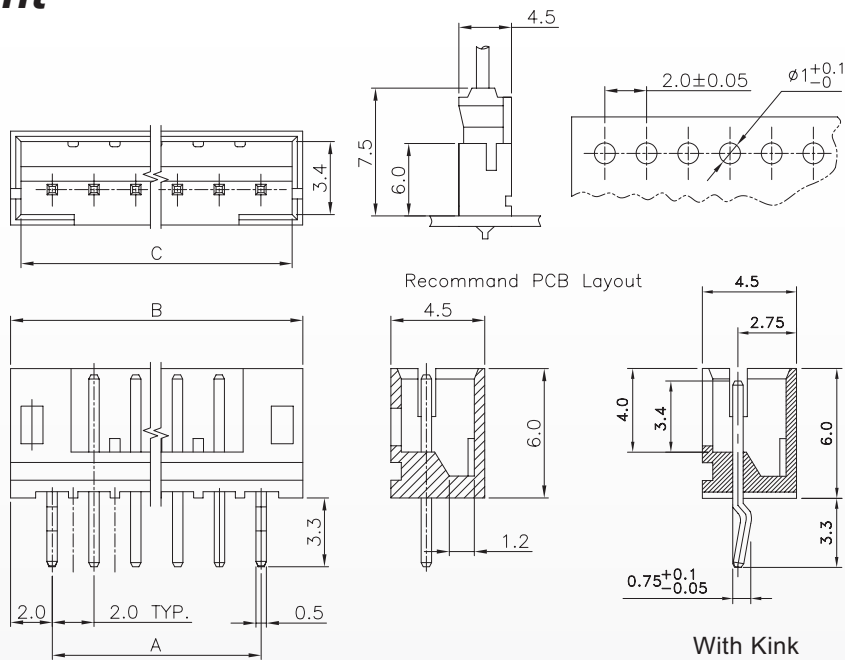
Poles	Part No.	Dimensions (mm)	
	JS-1124	A	B
10	JS-1124-10	18.00	21.80
11	JS-1124-11	20.00	23.80
12	JS-1124-12	22.00	25.80
13	JS-1124-13	24.00	27.80
14	JS-1124-14	26.00	29.80
15	JS-1124-15	28.00	31.80
16	JS-1124-16	30.00	33.80

## Terminal JS-1124-T



# 2.00mm (.079") Crimp Style Connectors

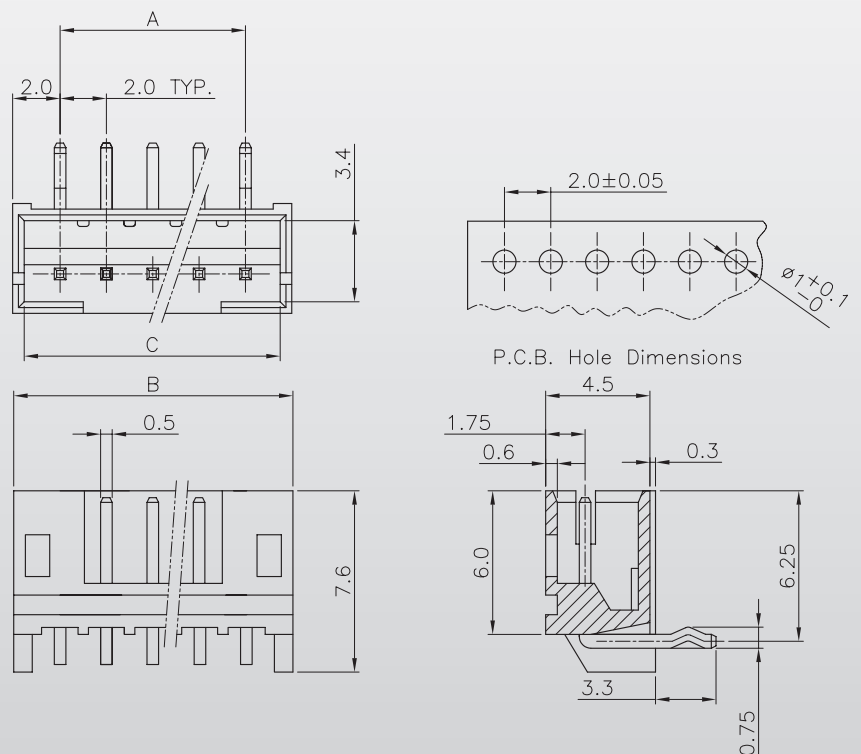
## Wafer - Straight JS-1125



Poles	Part No.		Dimensions (mm)		
	JS-1125	JS-1125R	A	B	C
2	JS-1125-02	JS-1125R-02	2.00	6.00	5.00
3	JS-1125-03	JS-1125R-03	4.00	8.00	7.00
4	JS-1125-04	JS-1125R-04	6.00	10.00	9.00
5	JS-1125-05	JS-1125R-05	8.00	12.00	11.00
6	JS-1125-06	JS-1125R-06	10.00	14.00	13.00
7	JS-1125-07	JS-1125R-07	12.00	16.00	15.00
8	JS-1125-08	JS-1125R-08	14.00	18.00	17.00
9	JS-1125-09	JS-1125R-09	16.00	20.00	19.00

Poles	Part No.		Dimensions (mm)		
	JS-1125	JS-1125R	A	B	C
10	JS-1125-10	JS-1125R-10	18.00	22.00	21.00
11	JS-1125-11	JS-1125R-11	20.00	24.00	23.00
12	JS-1125-12	JS-1125R-12	22.00	26.00	25.00
13	JS-1125-13	JS-1125R-13	24.00	28.00	27.00
14	JS-1125-14	JS-1125R-14	26.00	30.00	29.00
15	JS-1125-15	JS-1125R-15	28.00	32.00	31.00
16	JS-1125-16	JS-1125R-16	30.00	34.00	33.00

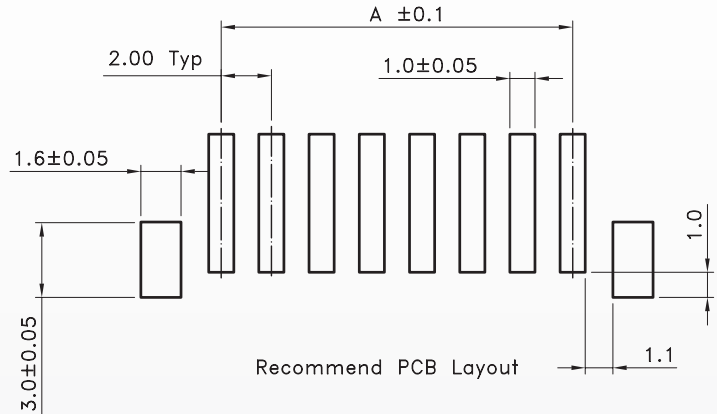
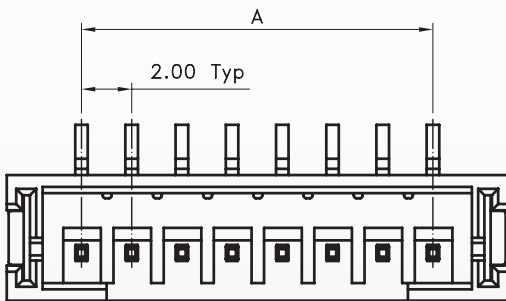
## Wafer - Right Angle JS-1125R



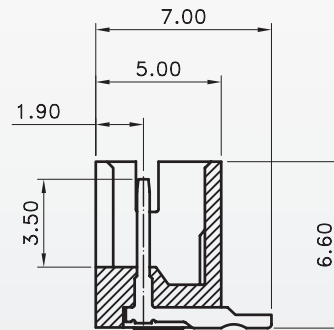


# 2.00mm (.079") Crimp Style Connectors

## Wafer - Straight < SMT Type > JS-1261



Recommend PCB Layout

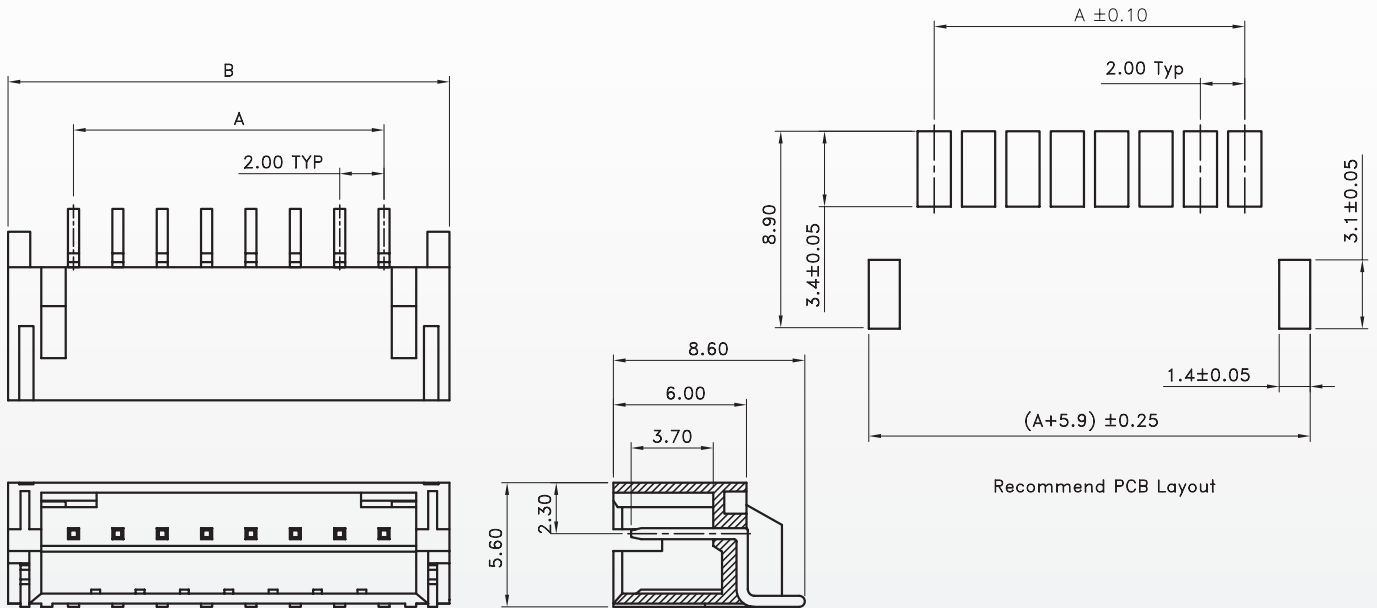


Poles	Part No.	Dimensions (mm)	
	JS-1261	A	B
2	JS-1261-02	2.00	7.90
3	JS-1261-03	4.00	9.90
4	JS-1261-04	6.00	11.90
5	JS-1261-05	8.00	13.90
6	JS-1261-06	10.00	15.90
7	JS-1261-07	12.00	17.90
8	JS-1261-08	14.00	19.90
9	JS-1261-09	16.00	21.90
10	JS-1261-10	18.00	23.90
11	JS-1261-11	20.00	25.90
12	JS-1261-12	22.00	27.90
13	JS-1261-13	24.00	29.90
14	JS-1261-14	26.00	31.90
15	JS-1261-15	28.00	33.90
16	JS-1261-16	30.00	35.90

# 2.00mm (.079") Crimp Style Connectors

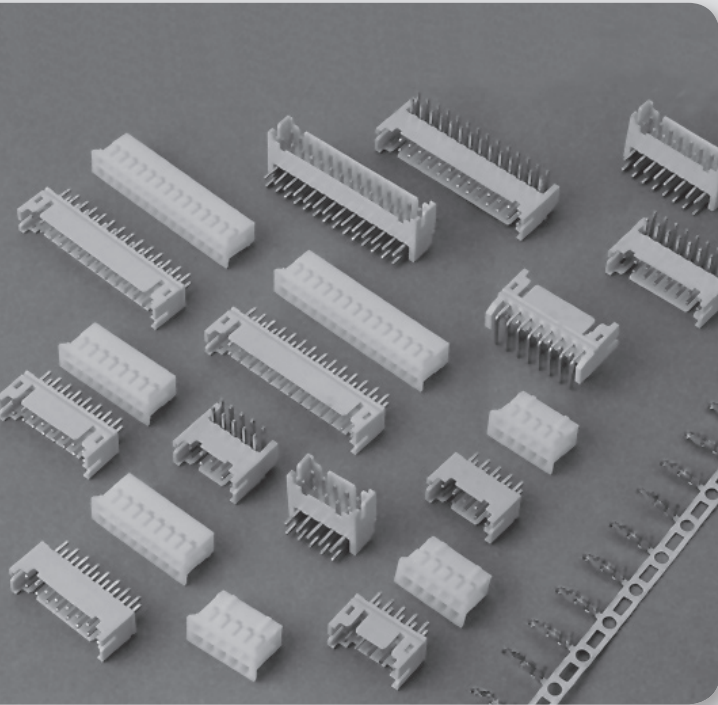
## Wafer - Right Angle < SMT Type > JS-1261R

A



Poles	Part No.	Dimensions (mm)	
	JS-1261R	A	B
2	JS-1261R-02	2.00	8.00
3	JS-1261R-03	4.00	10.00
4	JS-1261R-04	6.00	12.00
5	JS-1261R-05	8.00	14.00
6	JS-1261R-06	10.00	16.00
7	JS-1261R-07	12.00	18.00
8	JS-1261R-08	14.00	20.00
9	JS-1261R-09	16.00	22.00
10	JS-1261R-10	18.00	24.00
11	JS-1261R-11	20.00	26.00
12	JS-1261R-12	22.00	28.00
13	JS-1261R-13	24.00	30.00

# 2.00mm (.079") Crimp Style Connectors<Double-Row>



## Specifications

- Voltage Rating : 250V AC/DC
- Current Rating : 3A AC/DC
- Withstanding Voltage : 800V AC/minute
- Insulation Resistance : 1000MΩ min.
- Temperature Range : -25°C to + 85°C
- Contact Resistance : 20mΩ max.

## Features:

### ■ HOUSING

Part No. : JS-2007-XXx2

JS-2007-XXx2HK(with locking)

Poles : 3x2-16x2

Material : Nylon 66 UL94V-0

Q,ty : 1,000 pcs/Bag

### ■ WAFER

Part No. : JS-2008 (Straight)

JS-2008-XXx2HK(with locking)

JS-2008R (Right Angle)

Poles : 3x2 - 16x2

Material : Contact : Brass, Tin Plated,

Base : Nylon 66 UL94V-0

Q'ty : 1,000 pcs./Bag

### ■ TERMINAL

Part No. : JS-2007-T

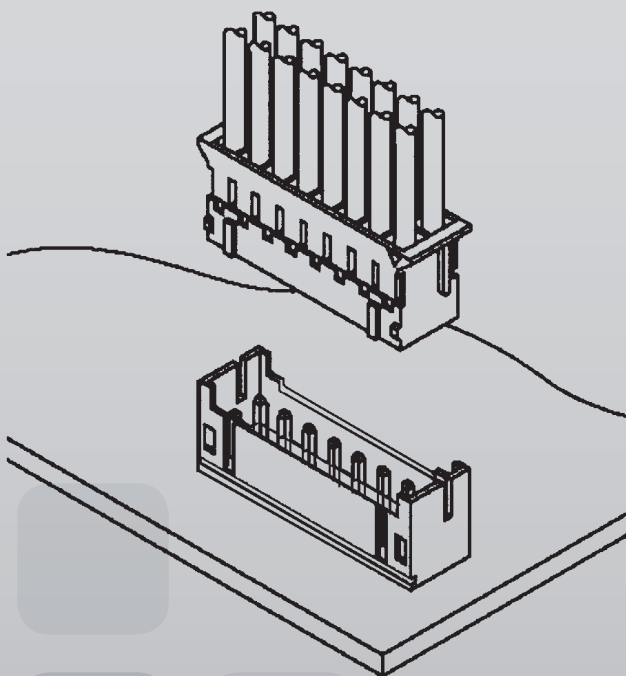
Applicable Wires : AWG# 22-28

Material : Phos. Bronze

Finish : Tin Plated, Gold Plated

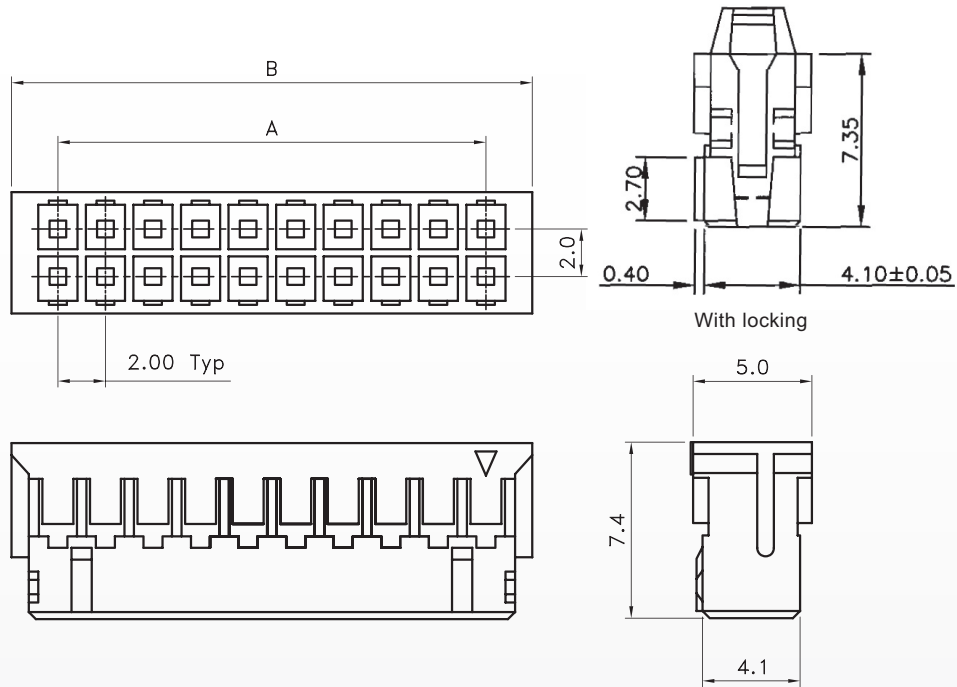
Thickness : 0.2mm

Q'ty : 10,000 pcs/Reel



# 2.00mm (.079") Crimp Style Connectors <Double-Row>

## Housing JS-2007

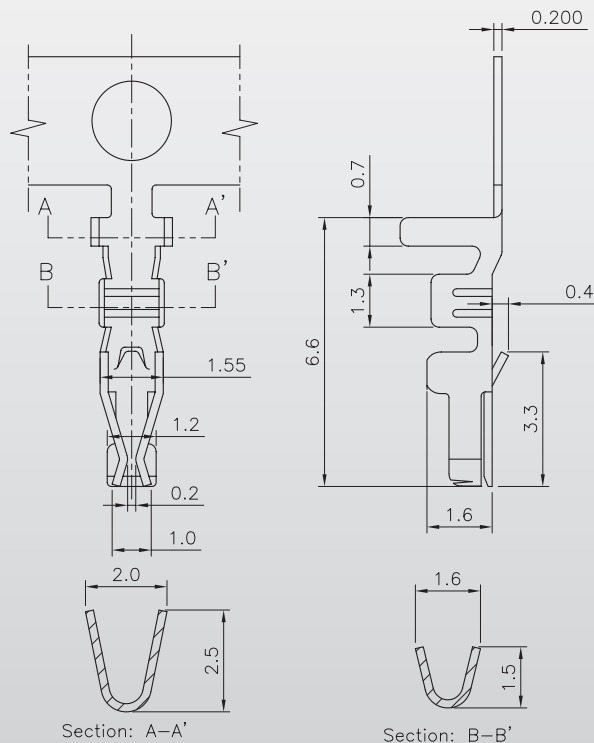


A

Part No.	Dimensions (mm)	
	A	B
JS-2007		
JS-2007- 3x2	4.00	8.00
JS-2007- 4x2	6.00	10.00
JS-2007- 5x2	8.00	12.00
JS-2007- 6x2	10.00	14.00
JS-2007- 7x2	12.00	16.00
JS-2007- 8x2	14.00	18.00
JS-2007- 9x2	16.00	20.00

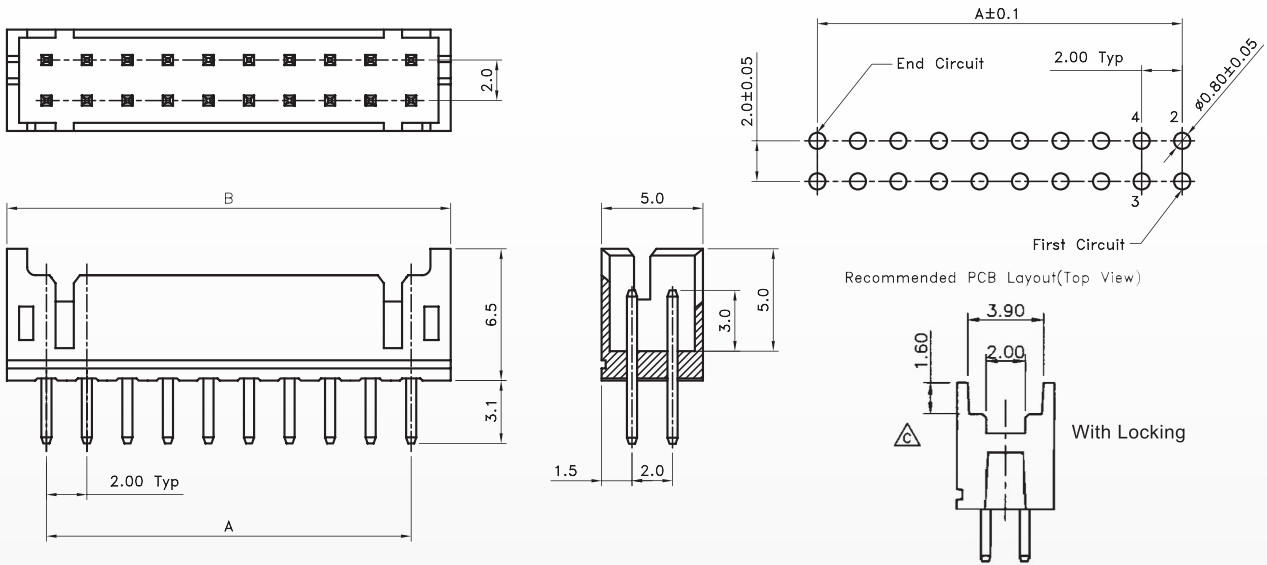
Part No.	Dimensions (mm)	
	A	B
JS-2007		
JS-2007- 3x2	4.00	7.90
JS-2007- 4x2	6.00	9.90
JS-2007- 5x2	8.00	11.90
JS-2007- 6x2	10.00	13.90
JS-2007- 7x2	12.00	15.90
JS-2007- 8x2	14.00	17.90
JS-2007- 9x2	16.00	19.90

## Terminal JS-2007-T



# 2.00mm (.079") Crimp Style Connectors <Double-Row>

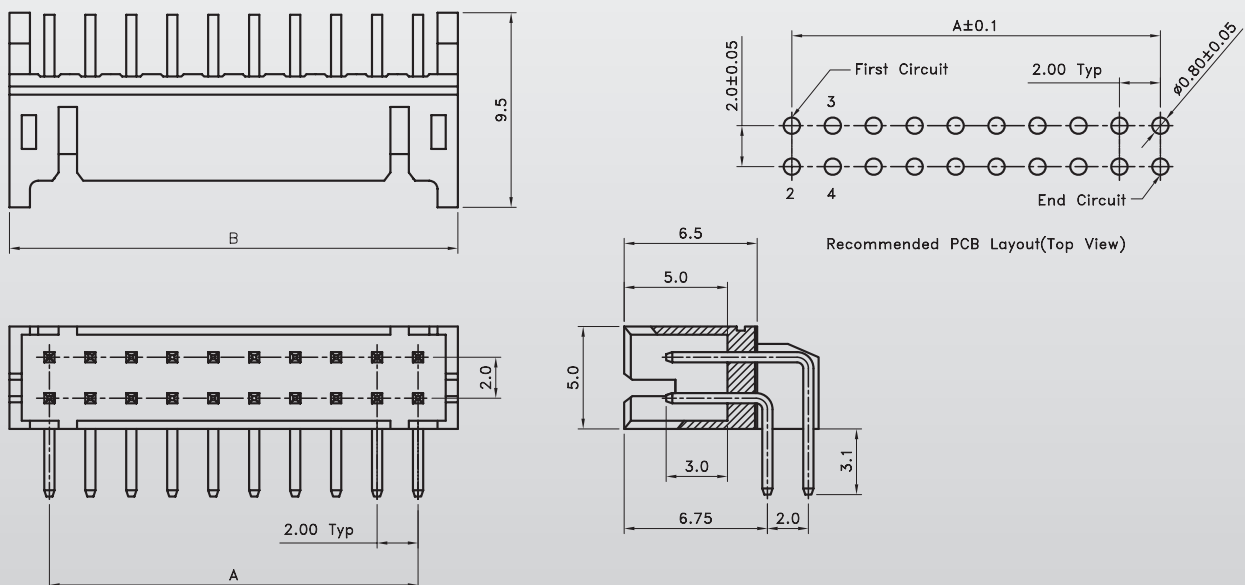
## Wafer - Straight JS-2008



Part No.		Dimensions (mm)	
JS-2008	JS-2008R	A	B
JS-2008- 3x2	JS-2008R- 3x2	4.00	8.00
JS-2008- 4x2	JS-2008R- 4x2	6.00	10.00
JS-2008- 5x2	JS-2008R- 5x2	8.00	12.00
JS-2008- 6x2	JS-2008R- 6x2	10.00	14.00
JS-2008- 7x2	JS-2008R- 7x2	12.00	16.00
JS-2008- 8x2	JS-2008R- 8x2	14.00	18.00
JS-2008- 9x2	JS-2008R- 9x2	16.00	20.00

Part No.		Dimensions (mm)	
JS-2008	JS-2008R	A	B
JS-2008-10x2	JS-2008R-10x2	18.00	22.00
JS-2008-11x2	JS-2008R-11x2	20.00	24.00
JS-2008-12x2	JS-2008R-12x2	22.00	26.00
JS-2008-13x2	JS-2008R-13x2	24.00	28.00
JS-2008-14x2	JS-2008R-14x2	26.00	30.00
JS-2008-15x2	JS-2008R-15x2	28.00	32.00
JS-2008-16x2	JS-2008R-16x2	30.00	34.00

## Wafer - Right Angle JS-2008R





# 2.00mm (.079") Crimp Style With Secure Locking Connectors

## Specifications

- Voltage Rating : 250V AC/DC
- Current Rating : 3A AC/DC
- Withstanding Voltage : 500V AC/minute
- Insulation Resistance : 500MΩ min.
- Temperature Range : -25°C to + 85°C
- Contact Resistance : 20mΩ max.

## Features:

### ■ HOUSING

Part No. : JS-2007S-XXHK

Poles : 2 - 15

Material : Nylon 66 UL94V-0

Q'ty : 1,000 pcs/Bag

### ■ WAFER

Part No. : JS-2008S-XXHK (Straight)

JS-2008SR-XXHK (Right Angle)

Poles : 2 - 15

Material : Contact : Brass, Tin Plated

Base : Nylon 66 UL94V-0

Q'ty : 1,000 pcs./Bag

### ■ TERMINAL (Please See Page A77)

Part No. : JS-2007-T

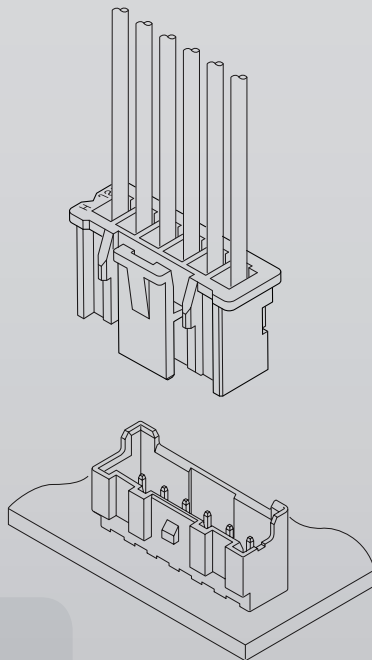
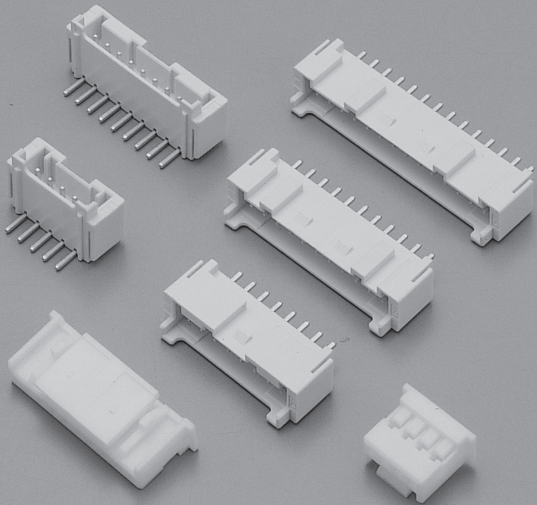
Applicable Wires : AWG# 22-28

Material : Phos. Bronze

Finish : Tin Plated, Gold Plated

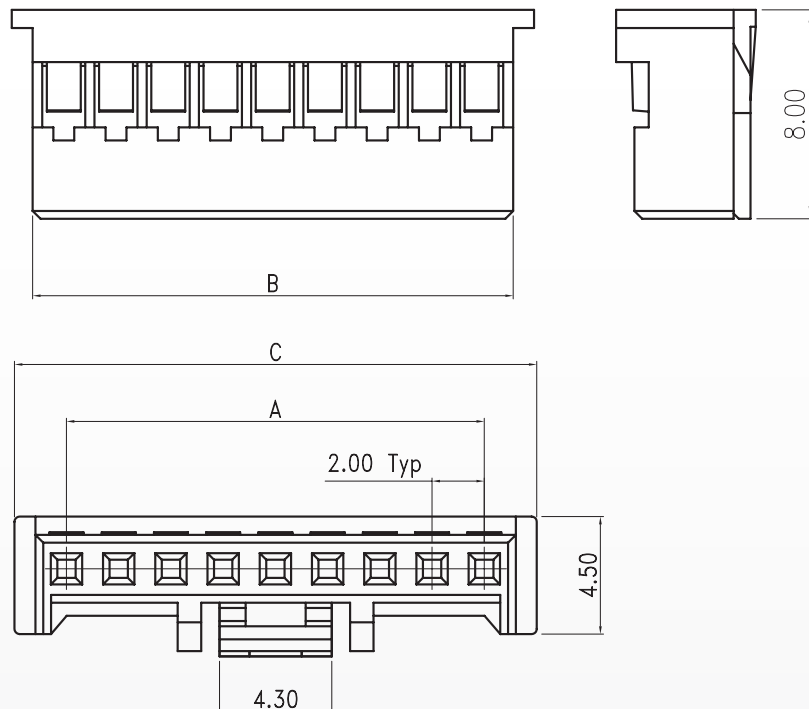
Thickness : 0.2mm

Q'ty : 10,000 pcs/Reel



# 2.00mm (.079") Crimp Style With Secure Locking Connectors

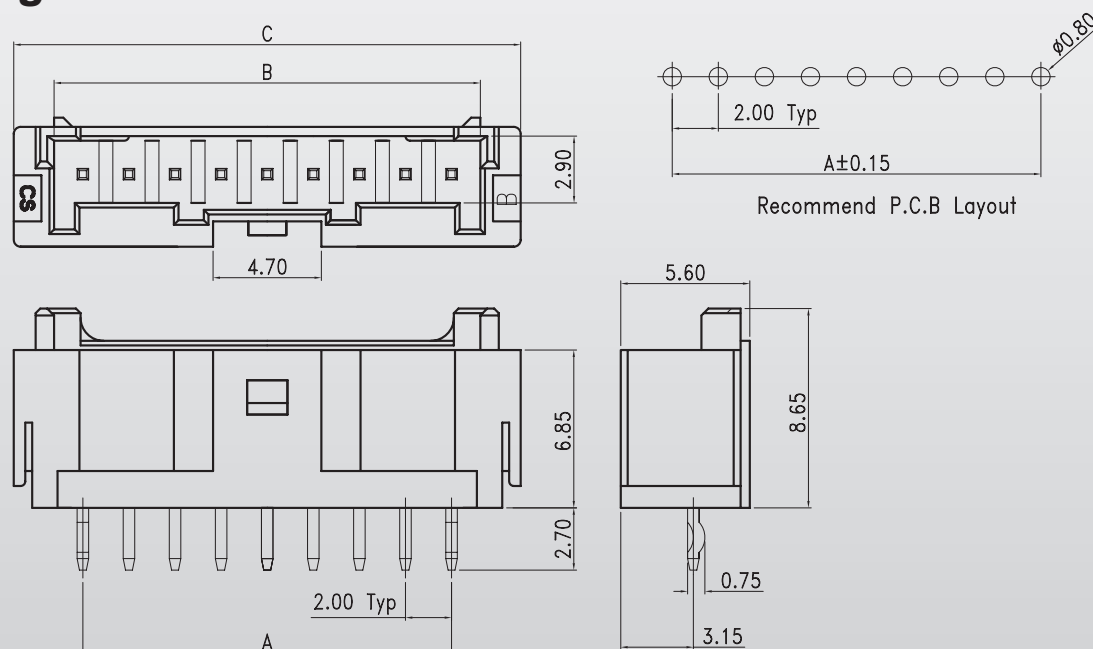
## Housing JS-2007S



Poles	Part No.	Dimensions (mm)		
		A	B	C
2	JS-2007S-02HK	2.00	4.40	6.00
3	JS-2007S-03HK	4.00	6.40	8.00
4	JS-2007S-04HK	6.00	8.40	10.00
5	JS-2007S-05HK	8.00	10.40	12.00
6	JS-2007S-06HK	10.00	12.40	14.00
7	JS-2007S-07HK	12.00	14.40	16.00
8	JS-2007S-08HK	14.00	16.40	18.00

Poles	Part No.	Dimensions (mm)		
		A	B	C
9	JS-2007S-09HK	16.00	18.40	20.00
10	JS-2007S-10HK	18.00	20.40	22.00
11	JS-2007S-11HK	20.00	22.40	24.00
12	JS-2007S-12HK	22.00	24.40	26.00
13	JS-2007S-13HK	24.00	26.40	28.00
14	JS-2007S-14HK	26.00	28.40	30.00
15	JS-2007S-15HK	28.00	30.40	32.00

## Wafer - Straight JS-2008S

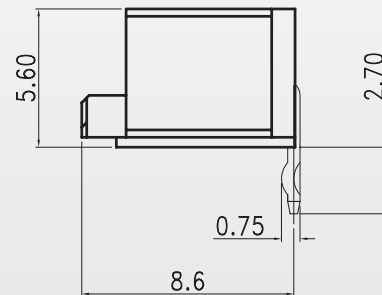
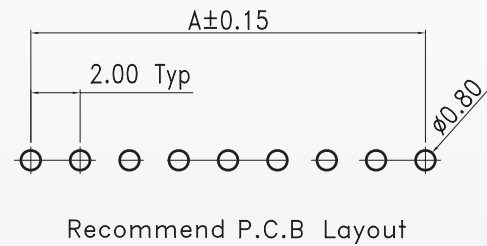
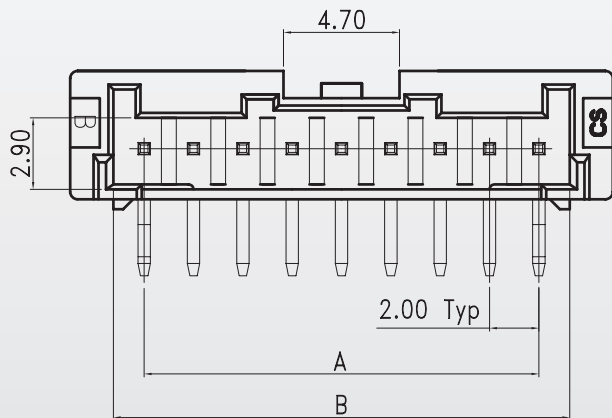
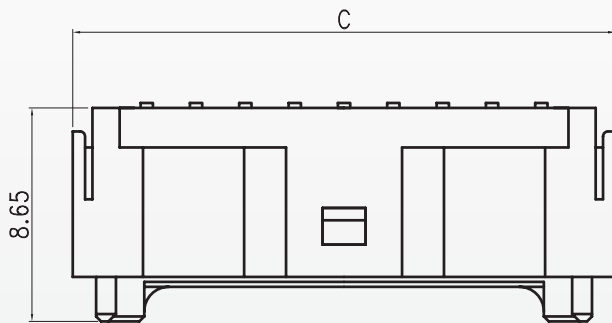


# 2.00mm (.079") Crimp Style With Secure Locking Connectors

Poles	Part No.	Dimensions (mm)		
		A	B	C
2	JS-2008S-02HK	2.0	4.6	8.0
3	JS-2008S-03HK	4.0	6.6	10.0
4	JS-2008S-04HK	6.0	8.6	12.0
5	JS-2008S-05HK	8.0	10.6	14.0
6	JS-2008S-06HK	10.0	12.6	16.0
7	JS-2008S-07HK	12.0	14.6	18.0
8	JS-2008S-08HK	14.0	16.6	20.0
9	JS-2008S-09HK	16.0	18.6	22.0

Poles	Part No.	Dimensions (mm)		
		A	B	C
10	JS-2008S-10HK	18.0	20.6	24.0
11	JS-2008S-11HK	20.0	22.6	26.0
12	JS-2008S-12HK	22.0	24.6	28.0
13	JS-2008S-13HK	24.0	26.6	30.0
14	JS-2008S-14HK	26.0	28.6	32.0
15	JS-2008S-15HK	28.0	30.6	34.0
16	JS-2008S-16HK	30.0	32.6	36.0

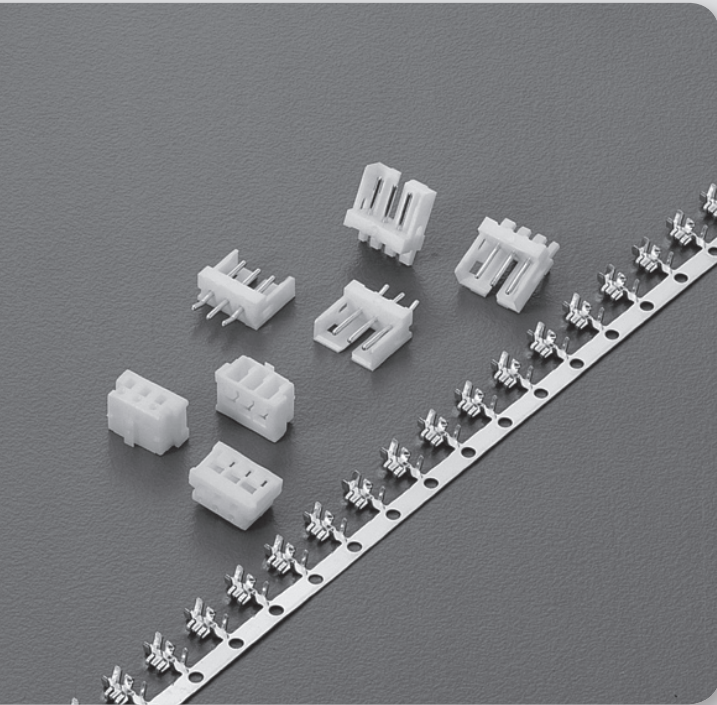
## Wafer - Right Angle JS-2008SR



Poles	Part No.	Dimensions (mm)		
		A	B	C
2	JS-2008SR-02HK	2.0	4.6	8.0
3	JS-2008SR-03HK	4.0	6.6	10.0
4	JS-2008SR-04HK	6.0	8.6	12.0
5	JS-2008SR-05HK	8.0	10.6	14.0
6	JS-2008SR-06HK	10.0	12.6	16.0
7	JS-2008SR-07HK	12.0	14.6	18.0
8	JS-2008SR-08HK	14.0	16.6	20.0
9	JS-2008SR-09HK	16.0	18.6	22.0

Poles	Part No.	Dimensions (mm)		
		A	B	C
10	JS-2008SR-10HK	18.0	20.6	24.0
11	JS-2008SR-11HK	20.0	22.6	26.0
12	JS-2008SR-12HK	22.0	24.6	28.0
13	JS-2008SR-13HK	24.0	26.6	30.0
14	JS-2008SR-14HK	26.0	28.6	32.0
15	JS-2008SR-15HK	28.0	30.6	34.0
16	JS-2008SR-16HK	30.0	32.6	36.0

# 2.00mm (.079") Crimp Style Connectors



## Specifications

- Voltage Rating : 125V AC/DC
- Current Rating : 2A AC/DC
- Withstanding Voltage : 800V AC/minute
- Insulation Resistance : 1,000M $\Omega$  min.
- Temperature Range : -25°C to + 85°C
- Contact Resistance : 20m $\Omega$  max.

## Features:

### ■ HOUSING

Part No. : JS-2005-XX

Poles : 2 - 15

Material : Nylon 66 UL94V-0

Q,ty : 1,000 pcs/Bag

### ■ WAFER

Part No. : JS-2006 (Straight)

JS-2006R (Right Angle)

Poles : 2 - 15

Material : Contact : Brass, Tin Plated

Base : Nylon 66 UL94V-0

Q'ty : 1,000 pcs/Bag

### ■ TERMINAL

Part No. : JS-2005-T

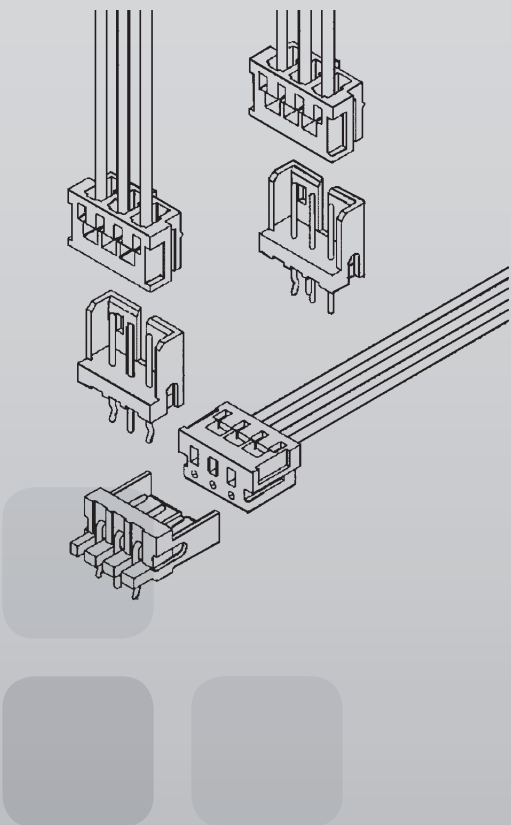
Applicable Wires : AWG# 22-26

Material : Phos.Bronze

Finish : Tin Plated

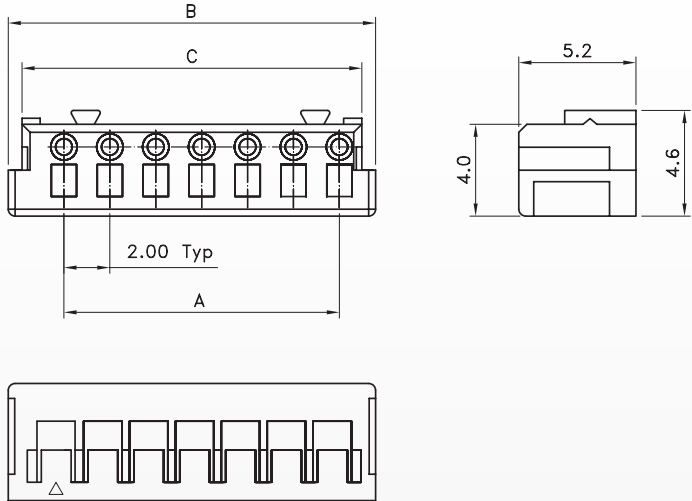
Thickness : 0.25mm

Q'ty : 15,000 pcs/Reel



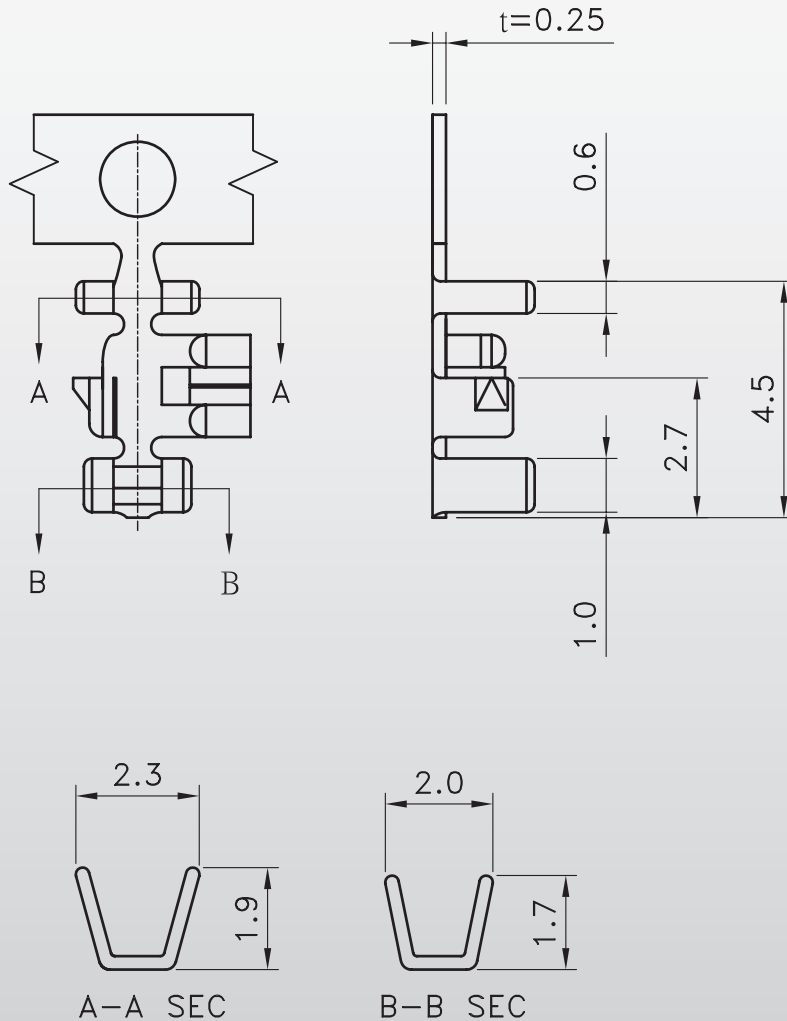
# 2.00mm (.079") Crimp Style Connectors

## Housing JS-2005



Poles	Part No.	Dimensions (mm)		
		A	B	C
2	JS-2005-02	2.00	6.00	4.80
3	JS-2005-03	4.00	8.00	6.80
4	JS-2005-04	6.00	10.00	8.80
5	JS-2005-05	8.00	12.00	10.80
6	JS-2005-06	10.00	14.00	12.80
7	JS-2005-07	12.00	16.00	14.80
8	JS-2005-08	14.00	18.00	16.80
9	JS-2005-09	16.00	20.00	18.80
10	JS-2005-10	18.00	22.00	20.80
11	JS-2005-11	20.00	24.00	22.80
12	JS-2005-12	22.00	26.00	24.80
13	JS-2005-13	24.00	28.00	26.80
14	JS-2005-14	26.00	30.00	28.80
15	JS-2005-15	28.00	32.00	30.80

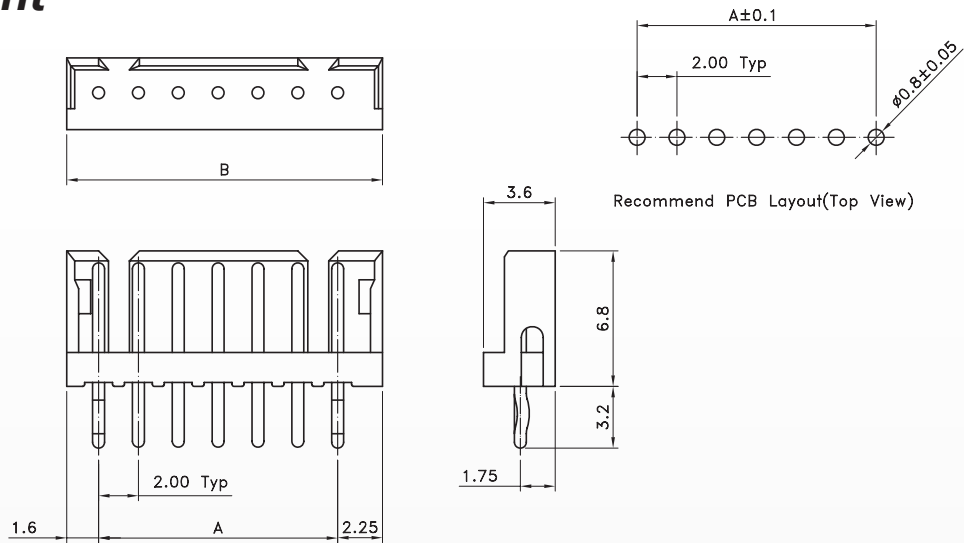
## Terminal JS-2005-T



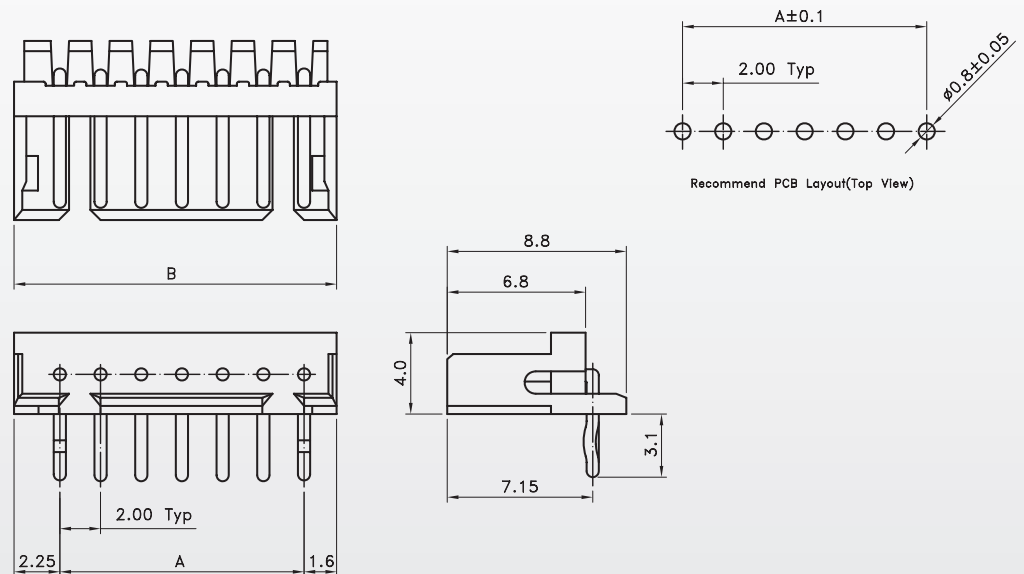


# 2.00mm (.079") Crimp Style Connectors

## Wafer - Straight JS-2006



## Wafer - Right Angle JS-2006R



Poles	Part No.		Dimensions (mm)	
	JS-2006	JS-2006R	A	B
2	JS-2006-02	JS-2006R-02	2.00	5.85
3	JS-2006-03	JS-2006R-03	4.00	7.85
4	JS-2006-04	JS-2006R-04	6.00	9.85
5	JS-2006-05	JS-2006R-05	8.00	11.85
6	JS-2006-06	JS-2006R-06	10.00	13.85
7	JS-2006-07	JS-2006R-07	12.00	15.85
8	JS-2006-08	JS-2006R-08	14.00	17.85
9	JS-2006-09	JS-2006R-09	16.00	19.85
10	JS-2006-10	JS-2006R-10	18.00	21.85
11	JS-2006-11	JS-2006R-11	20.00	23.85
12	JS-2006-12	JS-2006R-12	22.00	25.85
13	JS-2006-13	JS-2006R-13	24.00	27.85
14	JS-2006-14	JS-2006R-14	26.00	29.85
15	JS-2006-15	JS-2006R-15	28.00	31.85

# 2.00mm (.079") Crimp Style Connectors

## Specifications

- Voltage Rating : 250V AC/DC
- Current Rating : 3A AC/DC
- Withstanding Voltage : 1,000V AC/minute
- Insulation Resistance : 1,000MΩ min.
- Temperature Range : -25°C to + 85°C
- Contact Resistance : 30mΩ max.

## Features:

### ■ HOUSING

Part No. : JS-2002H-XX

Poles : 4 - 15

Material : PA66 UL94V-0

Q,ty : 1,000 pcs/Bag

### ■ WAFER

Part No. : JS-2002-XX (Straight)

JS-2002R-XX (Right Angle)

Poles : 4 - 15

Material : Contact : Brass, Tin Plated

Base : PA66 UL94V-0

Q'ty : 1,000 pcs/Tube

### ■ TERMINAL

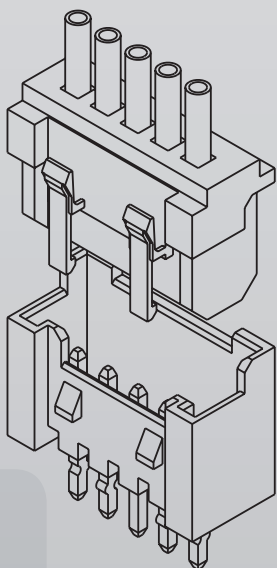
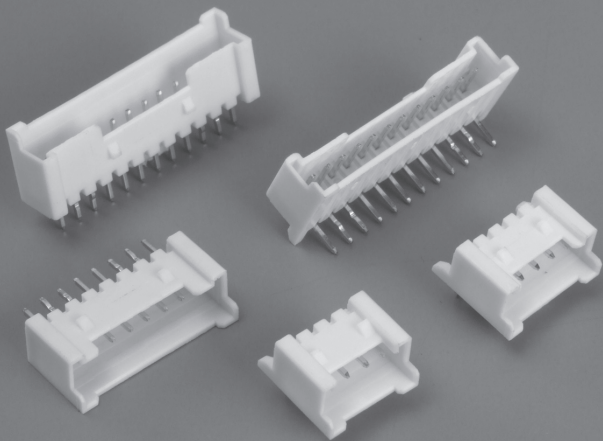
Part No. : JS-2002H-T

Applicable Wires : AWG# 24-30

Material : Phos. Bronze, Tin Plated

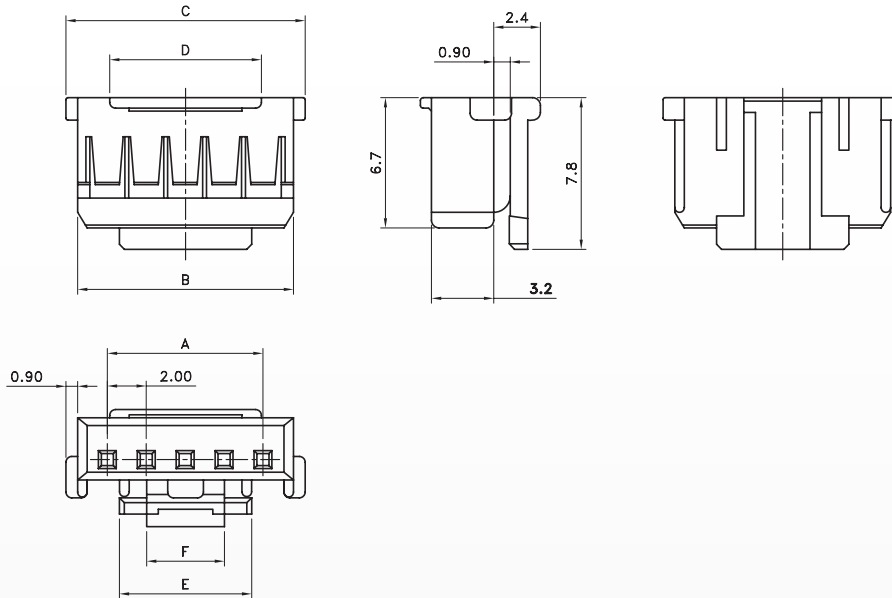
Thickness : 0.15mm

Q'ty : 10,000 pcs/Reel



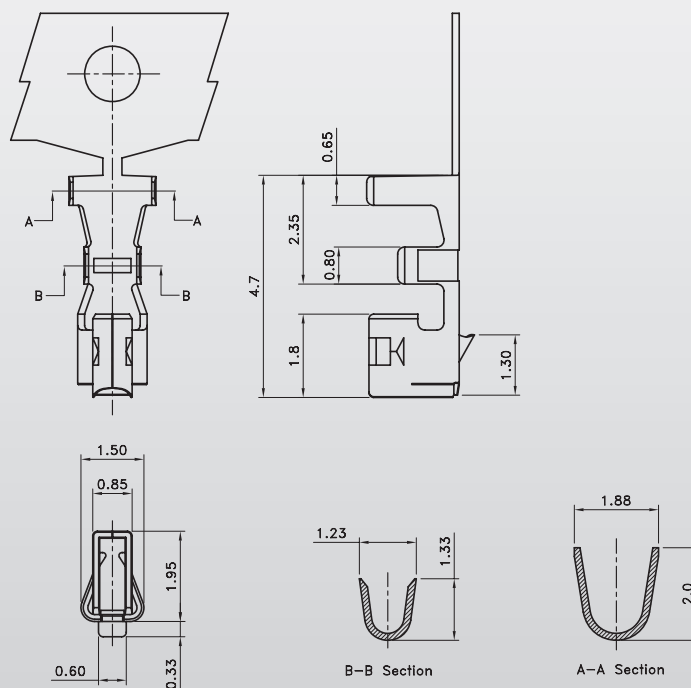
# 2.00mm (.079") Crimp Style Connectors

## Housing JS-2002H



Poles	Part No.	Dimensions (mm)					
		A	B	C	D	E	F
4	JS-2002H-04	6.0	9.1	10.3	5.8	6.8	4.0
5	JS-2002H-05	8.0	11.1	12.3	7.8	6.8	4.0
6	JS-2002H-06	10.0	13.1	14.3	9.8	6.8	4.0
7	JS-2002H-07	12.0	15.1	16.3	11.8	6.8	4.0
8	JS-2002H-08	14.0	17.1	18.3	13.8	10.8	8.0
9	JS-2002H-09	16.0	19.1	20.3	15.8	10.8	8.0
10	JS-2002H-10	18.0	21.1	22.3	17.8	10.8	8.0
11	JS-2002H-11	20.0	23.1	24.3	19.8	10.8	8.0
12	JS-2002H-12	22.0	25.1	26.3	21.8	10.8	8.0
13	JS-2002H-13	24.0	27.1	28.3	23.8	10.8	8.0
14	JS-2002H-14	26.0	29.1	30.3	25.8	10.8	8.0
15	JS-2002H-15	28.0	31.1	32.3	27.8	10.8	8.0

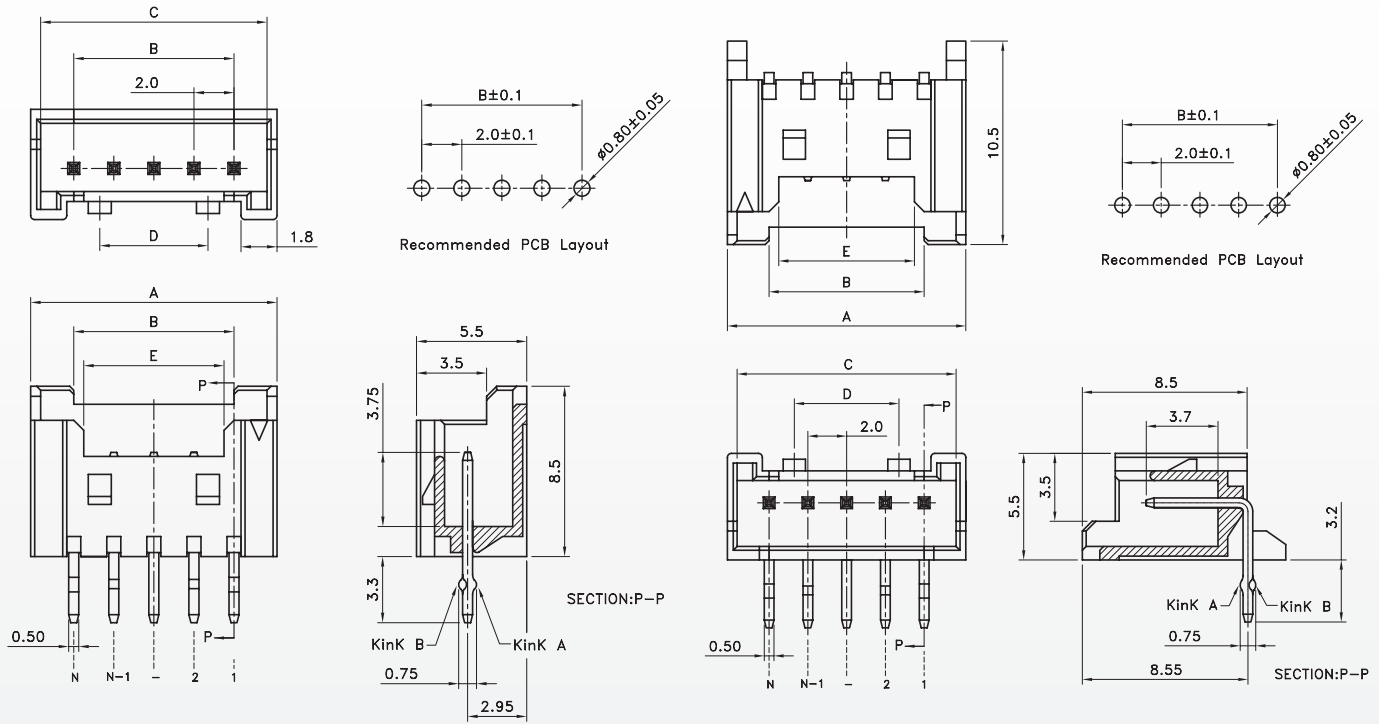
## Terminal JS-2002H-T



# 2.00mm (.079") Crimp Style Connectors

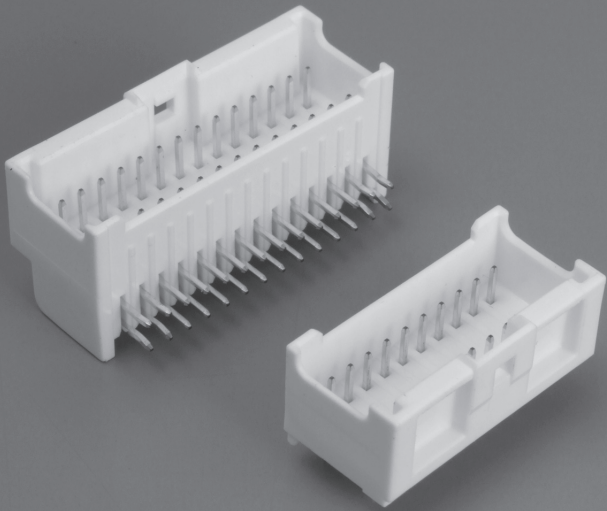
## Wafer - Straight JS-2002

## Wafer - Right Angle JS-2002R



Poles	Part No.		Dimensions (mm)				
	JS-2002	JS-2002R	A	B	C	D	E
4	JS-2002-04	JS-2002R-04	10.3	6.0	9.3	5.4	6.6
5	JS-2002-05	JS-2002R-05	12.3	8.0	11.3	5.4	7.0
6	JS-2002-06	JS-2002R-06	14.3	10.0	13.3	5.4	7.0
7	JS-2002-07	JS-2002R-07	16.3	12.0	15.3	9.4	11.0
8	JS-2002-08	JS-2002R-08	18.3	14.0	17.3	9.4	11.0
9	JS-2002-09	JS-2002R-09	20.3	16.0	19.3	9.4	11.0
10	JS-2002-10	JS-2002R-10	22.3	18.0	21.3	9.4	11.0
11	JS-2002-11	JS-2002R-11	24.3	20.0	23.3	9.4	11.0
12	JS-2002-12	JS-2002R-12	26.3	22.0	25.3	9.4	11.0
13	JS-2002-13	JS-2002R-13	28.3	24.0	27.3	9.4	11.0
14	JS-2002-14	JS-2002R-14	30.3	26.0	29.3	9.4	11.0
15	JS-2002-15	JS-2002R-15	32.3	28.0	31.3	9.4	11.0

# 2.00mm (.079") Crimp Style Connectors<Double-Row>



## Specifications

- Voltage Rating : 250V AC/DC
- Current Rating : 3A AC/DC
- Withstanding Voltage : 1,000V AC/minute
- Insulation Resistance : 1,000M $\Omega$  min.
- Temperature Range : -25°C to + 85°C
- Contact Resistance : 40m $\Omega$  max.

## Features:

### ■ HOUSING

Part No. : JS-2017-XX x 2

Poles : 8 - 40

Material : Nylon UL94V-0

Q'ty : 1,000 pcs/Bag

### ■ WAFER

Part No. : JS-2018-XX x 2 (Straight)

JS-2018R-XX x 2 (Right Angle)

Poles : 8 - 40

Material : Contact : Brass, Tin Plated

Base : PBT (G.F : 15%) UL94V-0

Q'ty : 1,000 pcs/Tube

### ■ TERMINAL

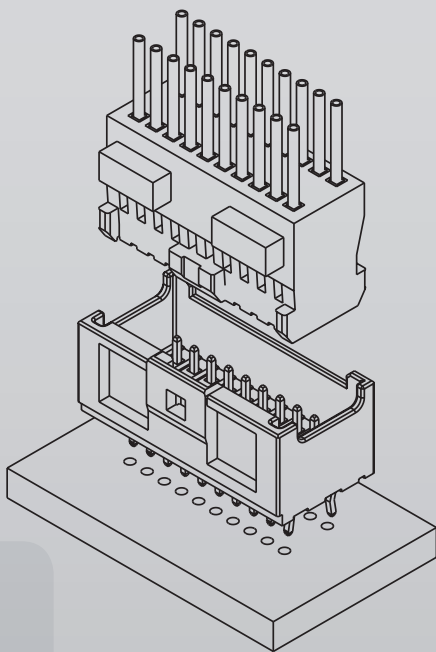
Part No. : JS-2017-T

Applicable Wires : AWG# 24-30

Material : Phos. Bronze, Tin Plated

Thickness : 0.15mm

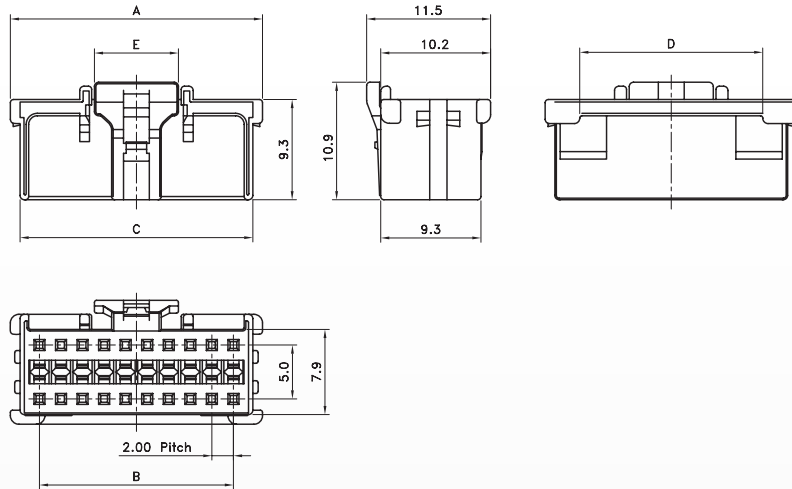
Q'ty : 10,000 pcs/Reel





# 2.00mm (.079") Crimp Style Connectors<Double-Row>

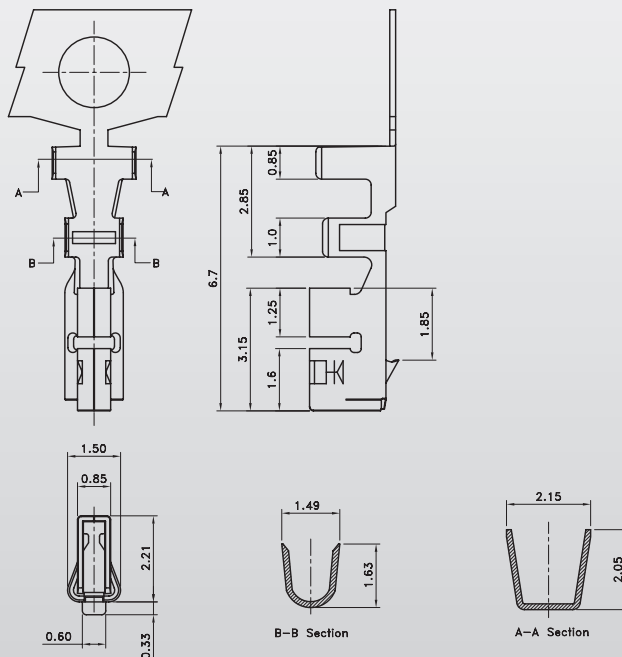
## Housing JS-2017



A

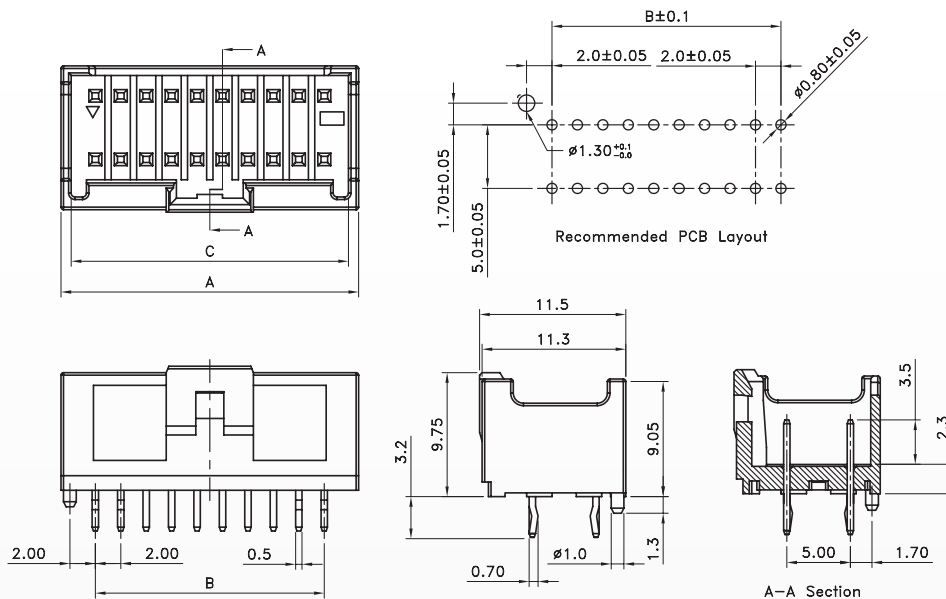
Poles	Part No.	Dimensions (mm)				
		A	B	C	D	E
8	JS-2017-04X2	11.4	6.0	9.6	4.5	4.7
10	JS-2017-05X2	13.4	8.0	11.6	6.5	4.7
12	JS-2017-06X2	15.4	10.0	13.6	8.5	7.8
14	JS-2017-07X2	17.4	12.0	15.6	10.5	
16	JS-2017-08X2	19.4	14.0	17.6	12.5	
18	JS-2017-09X2	21.4	16.0	19.6	14.5	
20	JS-2017-10X2	23.4	18.0	21.6	16.5	
22	JS-2017-11X2	25.4	20.0	23.6	18.5	
24	JS-2017-12X2	27.4	22.0	25.6	20.5	
26	JS-2017-13X2	29.4	24.0	27.6	22.5	
28	JS-2017-14X2	31.4	26.0	29.6	24.5	
30	JS-2017-15X2	33.4	28.0	31.6	26.5	
32	JS-2017-16X2	35.4	30.0	33.6	28.5	
34	JS-2017-17X2	37.4	32.0	35.6	30.5	
36	JS-2017-18X2	39.4	34.0	37.6	32.5	
38	JS-2017-19X2	41.4	36.0	39.6	34.5	
40	JS-2017-20X2	43.4	38.0	41.6	36.5	

## Terminal JS-2017-T

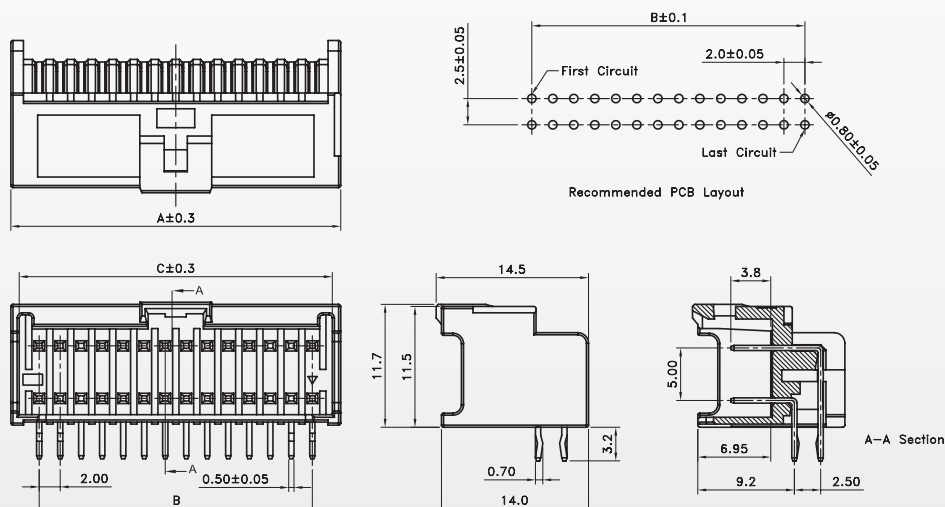


# 2.00mm (.079") Crimp Style Connectors <Double-Row>

## Wafer JS-2018



## Wafer JS-2018R



Poles	Part No.		Dimensions (mm)		
	JS-2018	JS-2018R	A	B	C
8	JS-2018-08	JS-2018R-08	11.4	6.0	9.8
10	JS-2018-10	JS-2018R-10	13.4	8.0	11.8
12	JS-2018-12	JS-2018R-12	15.4	10.0	13.8
14	JS-2018-14	JS-2018R-14	17.4	12.0	15.8
16	JS-2018-16	JS-2018R-16	19.4	14.0	17.8
18	JS-2018-18	JS-2018R-18	21.4	16.0	19.8
20	JS-2018-20	JS-2018R-20	23.4	18.0	21.8
22	JS-2018-22	JS-2018R-22	25.4	20.0	23.8
24	JS-2018-24	JS-2018R-24	27.4	22.0	25.8
26	JS-2018-26	JS-2018R-26	29.4	24.0	27.8
28	JS-2018-28	JS-2018R-28	31.4	26.0	29.8
30	JS-2018-30	JS-2018R-30	33.4	28.0	31.8
32	JS-2018-32	JS-2018R-32	35.4	30.0	33.8
34	JS-2018-34	JS-2018R-34	37.4	32.0	35.8
36	JS-2018-36	JS-2018R-36	39.4	34.0	37.8
38	JS-2018-38	JS-2018R-38	41.4	36.0	39.8
40	JS-2018-40	JS-2018R-40	43.4	38.0	41.8

# 2.00mm (.079") Crimp Style Connectors

## Specifications

- Voltage Rating : 20V AC/DC
- Current Rating : 3A AC/DC
- Withstanding Voltage : 1,000V AC/minute
- Insulation Resistance : 1,000MΩ min.
- Temperature Range : -25°C to + 85°C
- Contact Resistance : 30mΩ max.

## Features:

### ■ HOUSING

Part No. : JS-2003-XX

Poles : 2 - 16

Material : Nylon PA66 UL94V-0

Q,ty : 1,000 pcs/Bag

### ■ WAFER

Part No. : JS-2004-XX(Straight)

JS-2004R-XX (Right Angle)

Poles : 2 - 16

Material : Contact : Brass, Tin Plated

Base : Nylon PA66 UL94V-0

Q'ty : 1,000 pcs./Bag

### ■ TERMINAL

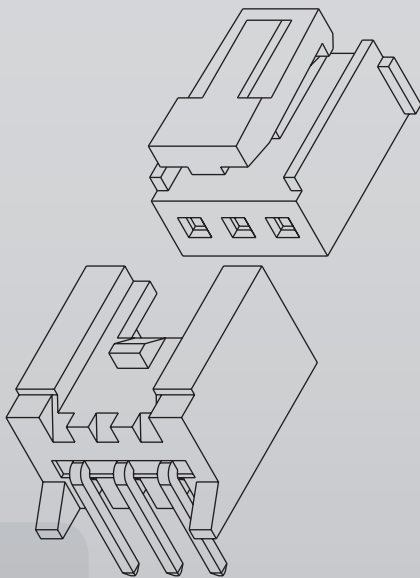
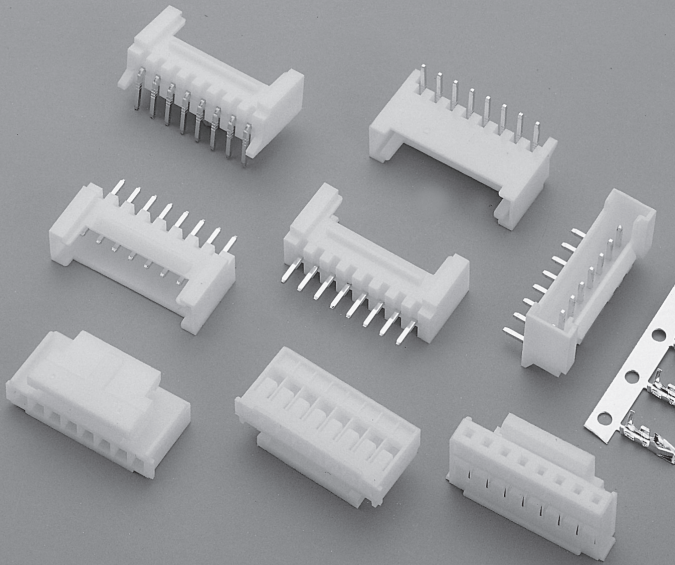
Part No. : JS-2003-T

Applicable Wires : AWG# 22-30

Material : Phos. Bronze, Tin Plated

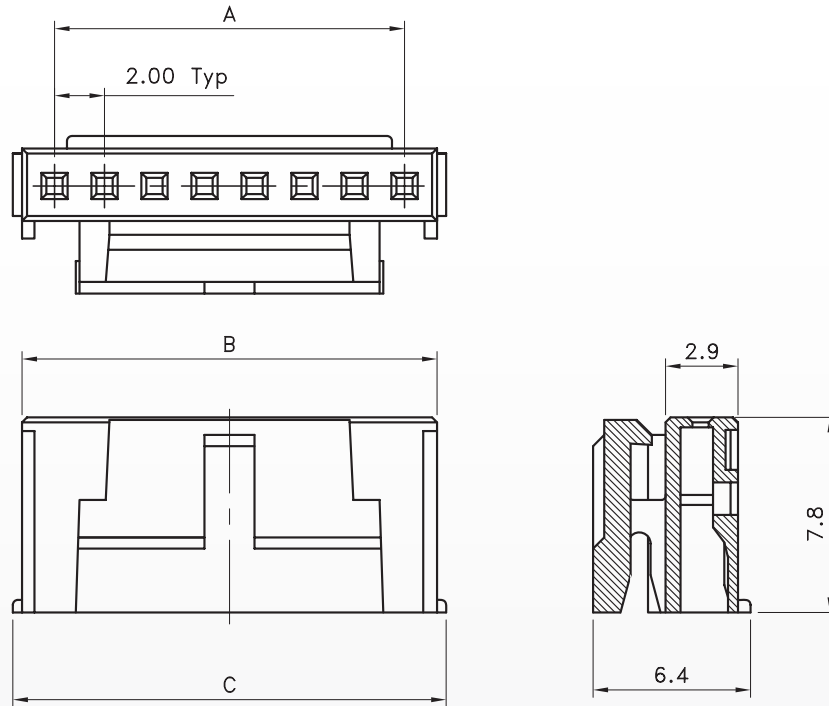
Thickness : 0.2mm

Q'ty : 8,000 pcs/Reel



# 2.00mm (.079") Crimp Style Connectors

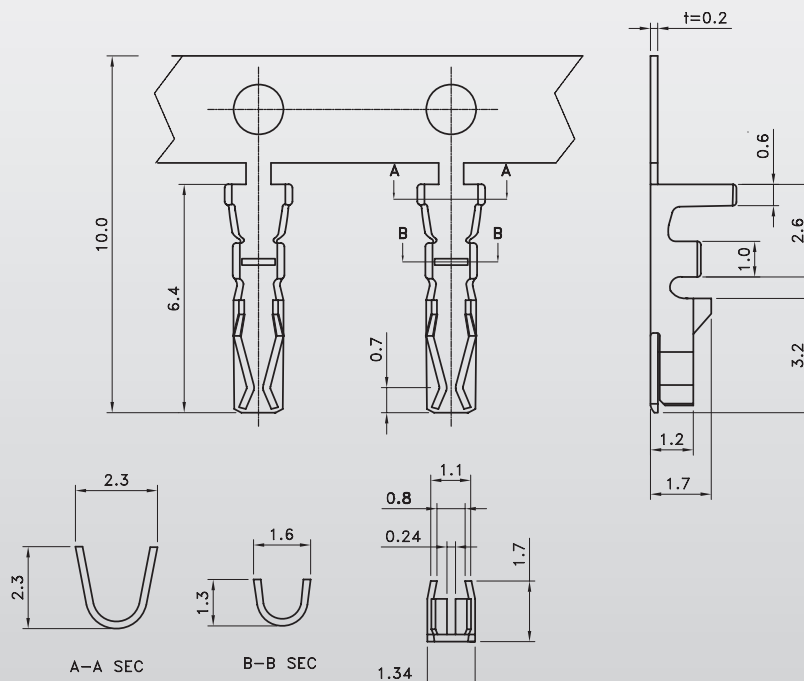
## Housing JS-2003



Poles	Part No.	Dimensions (mm)		
		A	B	C
2	JS-2003-02	2.0	4.6	5.6
3	JS-2003-03	4.0	6.6	7.6
4	JS-2003-04	6.0	8.6	9.6
5	JS-2003-05	8.0	10.6	11.6
6	JS-2003-05	10.0	12.6	13.6
7	JS-2003-07	12.0	14.6	15.6
8	JS-2003-08	14.0	16.6	17.6
9	JS-2003-09	16.0	18.6	19.6

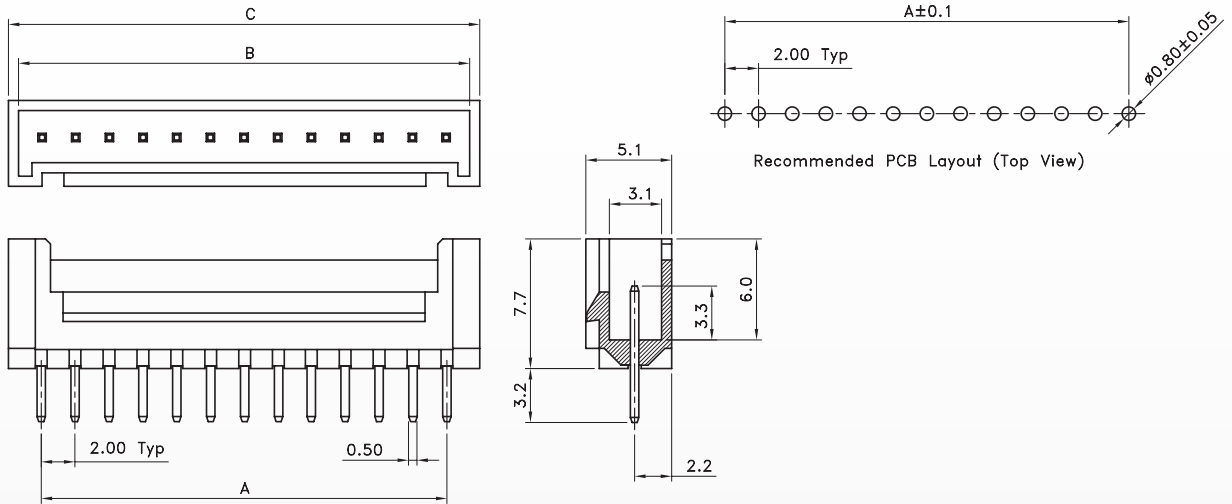
Poles	Part No.	Dimensions (mm)		
		A	B	C
10	JS-2003-10	18.0	20.6	21.6
11	JS-2003-11	20.0	22.6	23.6
12	JS-2003-12	22.0	24.6	25.6
13	JS-2003-13	24.0	26.6	27.6
14	JS-2003-14	26.0	28.6	29.6
15	JS-2003-15	28.0	30.6	31.6
16	JS-2003-16	30.0	32.6	33.6

## Terminal JS-2003-T

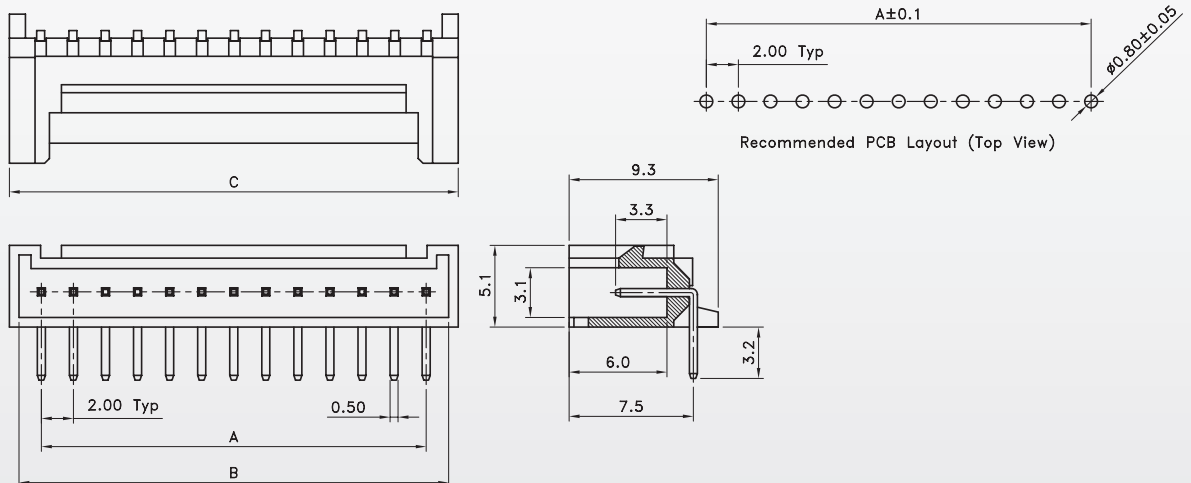


# 2.00mm (.079") Crimp Style Connectors

## Wafer JS-2004



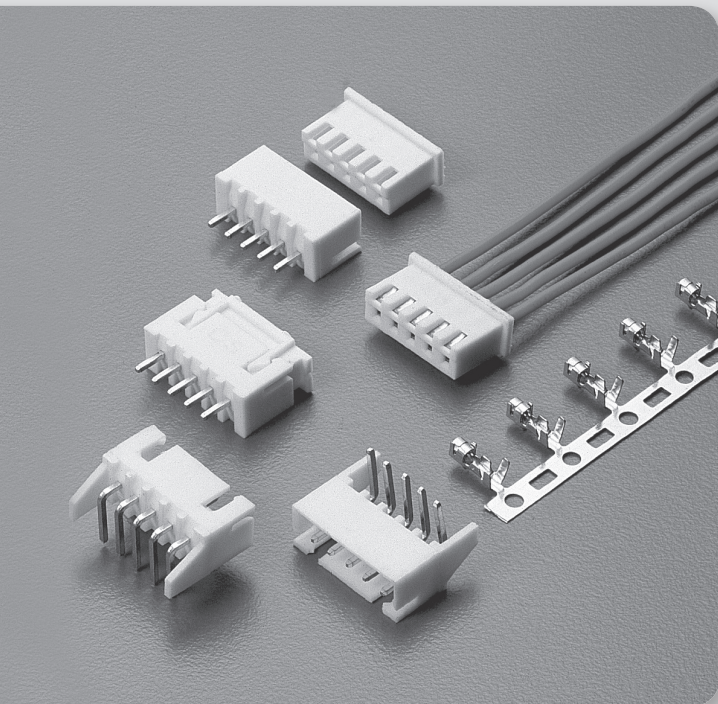
## Wafer JS-2004R



Poles	Part No.		Dimensions (mm)			Q'ty (Tube)
	JS-2004	JS-2004R	A	B	C	
2	JS-2004-02	JS-2004R-02	2.00	4.75	6.00	86 Pcs
3	JS-2004-03	JS-2004R-03	4.00	6.75	8.00	65 Pcs
4	JS-2004-04	JS-2004R-04	6.00	8.75	10.00	52 Pcs
5	JS-2004-05	JS-2004R-05	8.00	10.75	12.00	43 Pcs
6	JS-2004-05	JS-2004R-05	10.00	12.75	14.00	37 Pcs
7	JS-2004-07	JS-2004R-07	12.00	14.75	16.00	32 Pcs
8	JS-2004-08	JS-2004R-08	14.00	16.75	18.00	29 Pcs
9	JS-2004-09	JS-2004R-09	16.00	18.75	20.00	26 Pcs
10	JS-2004-10	JS-2004R-10	18.00	20.75	22.00	23 Pcs
11	JS-2004-11	JS-2004R-11	20.00	22.75	24.00	21 Pcs
12	JS-2004-12	JS-2004R-12	22.00	24.75	26.00	20 Pcs
13	JS-2004-13	JS-2004R-13	24.00	26.75	28.00	18 Pcs
14	JS-2004-14	JS-2004R-14	26.00	28.75	30.00	17 Pcs
15	JS-2004-15	JS-2004R-15	28.00	30.75	32.00	16 Pcs
16	JS-2004-16	JS-2004R-16	30.00	32.75	34.00	15 Pcs



# 2.50mm (.098") Crimp Style Connectors



## Specifications

- Voltage Rating : 250V AC/DC
- Current Rating : 3A AC/DC
- Withstanding Voltage : 1,000V AC/minute
- Insulation Resistance : 1,000M min.
- Temperature Range : -25°C to + 85°C
- Contact Resistance : 20m max.

## Features:

### ■ HOUSING

Part No. : JS-2001

Poles : 2 - 20

Material : Nylon 66 UL94V-0

Q'ty : 1,000 pcs/Bag

### ■ WAFER

Part No. : JS-1001 (Straight)

JS-1001-XX(K) (With Kink)

JS-1001-XXP(K) (Straight; With Peg)

JS-1001R (Right Angle)

JS-1001R-XX(K)(With Kink)

Poles : 2 - 20

Material : Contact : Brass, Tin Plated,

Base : Nylon 66 UL94V-0;

Q'ty : 1,000 pcs/Bag

### ■ TERMINAL

Part No. : JS-2001-T, JS-2001-TB

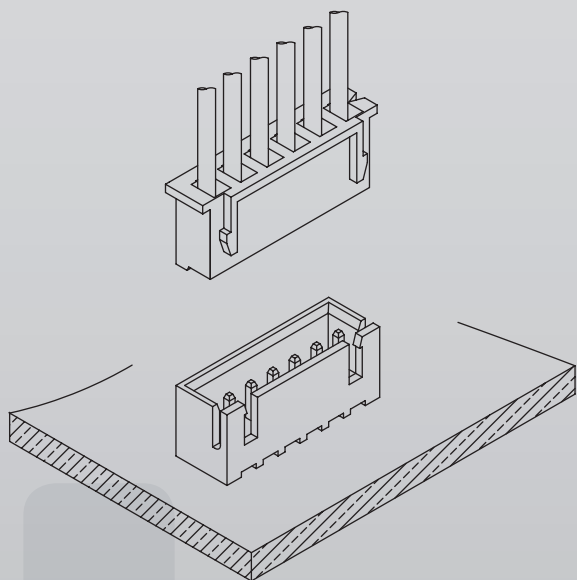
Applicable Wires : AWG# 22 - 28

Material : Phos. Bronze, Brass

Finish : Tin Plated

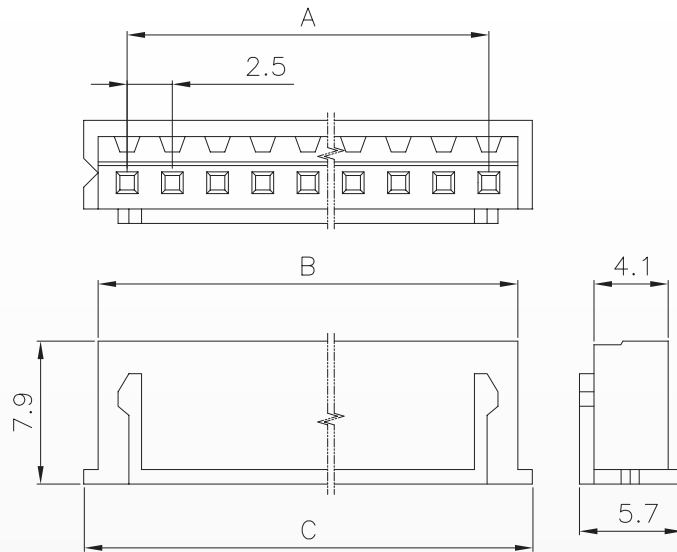
Thickness : 0.25mm

Q'ty : 8,000 pcs/Reel



# 2.50mm (.098") Crimp Style Connectors

## Housing JS-2001

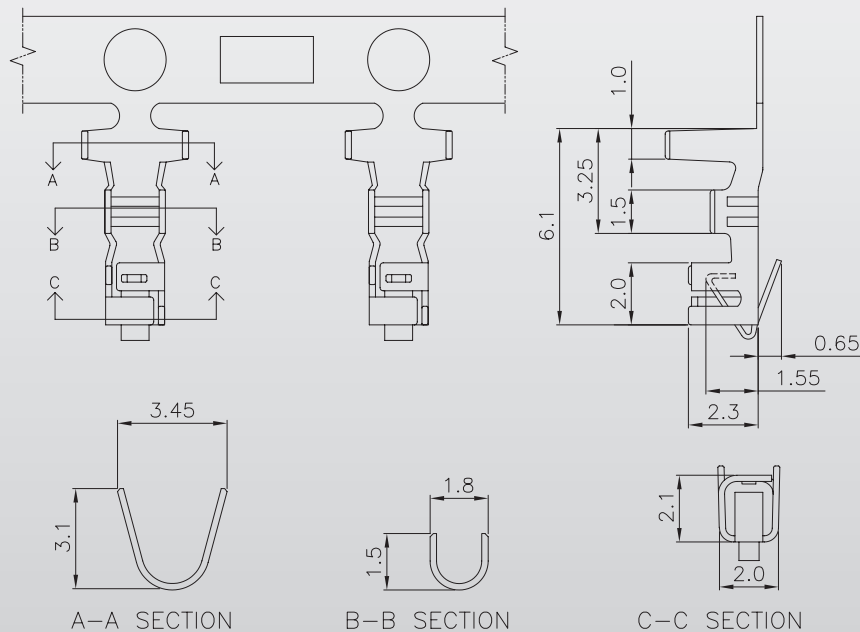


A

Poles	Part No.	Dimensions (mm)		
	JS-2001	A	B	C
2	JS-2001-02	2.50	5.70	7.30
3	JS-2001-03	5.00	8.20	9.80
4	JS-2001-04	7.50	10.70	12.30
5	JS-2001-05	10.00	13.20	14.80
6	JS-2001-06	12.50	15.70	17.30
7	JS-2001-07	15.00	18.20	19.80
8	JS-2001-08	17.50	20.70	22.30
9	JS-2001-09	20.00	23.20	24.80
10	JS-2001-10	22.50	25.70	27.30
11	JS-2001-11	25.00	28.20	29.80

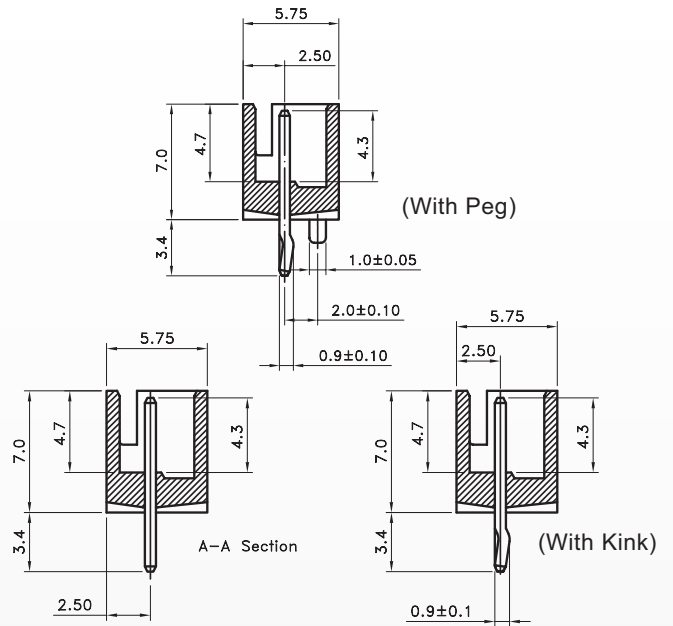
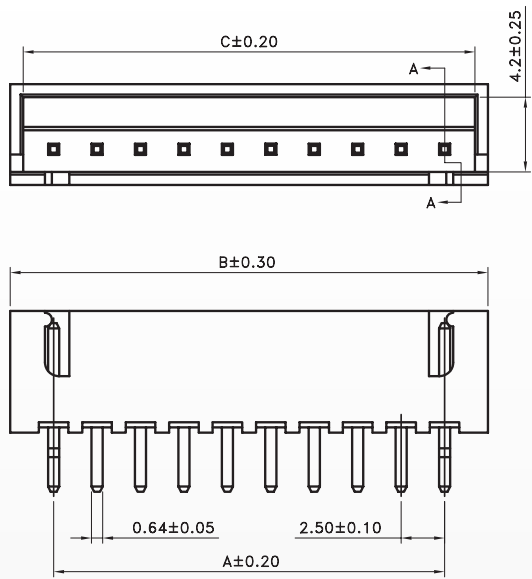
Poles	Part No.	Dimensions (mm)		
	JS-1253	A	B	C
12	JS-2001-12	27.50	30.70	32.30
13	JS-2001-13	30.00	33.20	34.80
14	JS-2001-14	32.50	35.70	37.30
15	JS-2001-15	35.00	38.20	39.80
16	JS-2001-16	37.50	40.70	42.30
17	JS-2001-17	40.00	43.20	44.80
18	JS-2001-18	42.50	45.70	47.30
19	JS-2001-19	45.00	48.20	49.80
20	JS-2001-20	47.50	50.70	52.30

## Terminal JS-2001-T



# 2.50mm (.098") Crimp Style Connectors

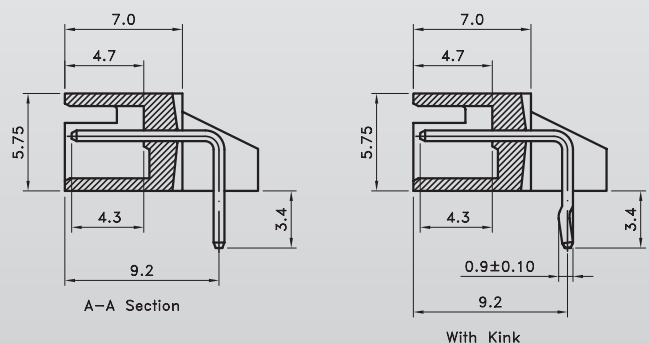
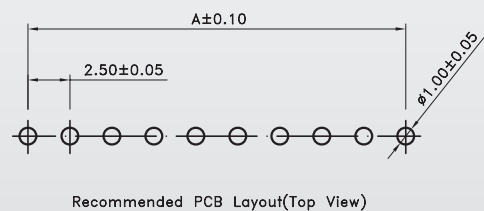
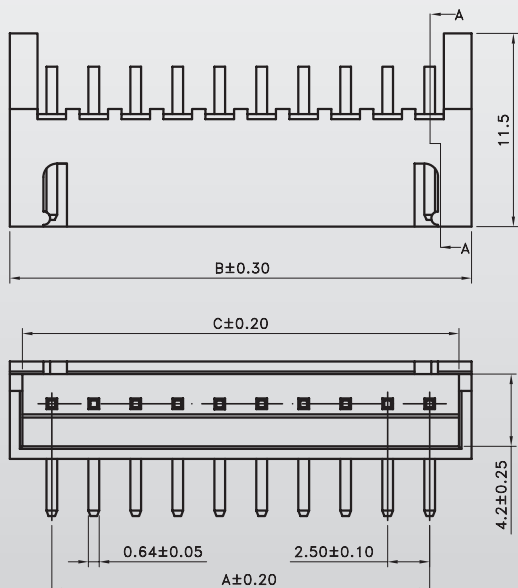
## Wafer - Straight JS-1001



Poles	Part No.		Dimensions (mm)	
	JS-1001	JS-1001R	A	B
2	JS-1001-02	JS-1001R-02	2.50	7.50
3	JS-1001-03	JS-1001R-03	5.00	10.00
4	JS-1001-04	JS-1001R-04	7.50	12.50
5	JS-1001-05	JS-1001R-05	10.00	15.00
6	JS-1001-06	JS-1001R-06	12.50	17.50
7	JS-1001-07	JS-1001R-07	15.00	20.00
8	JS-1001-08	JS-1001R-08	17.50	22.50
9	JS-1001-09	JS-1001R-09	20.00	25.00
10	JS-1001-10	JS-1001R-10	22.50	27.50
11	JS-1001-11	JS-1001R-11	25.00	30.00

Poles	Part No.		Dimensions (mm)	
	JS-1001	JS-1001R	A	B
12	JS-1001-12	JS-1001R-12	27.50	32.50
13	JS-1001-13	JS-1001R-13	30.00	35.00
14	JS-1001-14	JS-1001R-14	32.50	37.50
15	JS-1001-15	JS-1001R-15	35.00	40.00
16	JS-1001-16	JS-1001R-16	37.50	42.50
17	JS-1001-17	JS-1001R-17	40.00	45.00
18	JS-1001-18	JS-1001R-18	42.50	47.50
19	JS-1001-19	JS-1001R-19	45.00	50.00
20	JS-1001-20	JS-1001R-20	47.50	52.50

## Wafer - Right Angle JS-1001R



# 2.50mm (.098") Disk Drive Power Connectors

## Specifications

- Voltage Rating : 250V AC/DC
- Current Rating : 3A AC/DC
- Withstanding Voltage : 1,000V AC/minute
- Insulation Resistance : 100MΩ min.
- Temperature Range : -25°C to + 85°C
- Contact Resistance : 20mΩ max.

## Features:

### ■ HOUSING

Part No. : JS-1116

Poles : 2 - 8

Material : Nylon 66 UL94V-0

Q'ty : 1,000 pcs/Bag

### ■ WAFER

Part No. : JS-1116-XXW (Straight)

JS-1116-XXWR (Right Angle)

Poles : 2-8

Material : Contact : Brass, Tin Plated

Base : Nylon 66 UL94V-0, Nylon 66 UL94V-2

Q'ty : 1,000 pcs/Bag

### ■ TERMINAL

Part No. : JS-1116-T

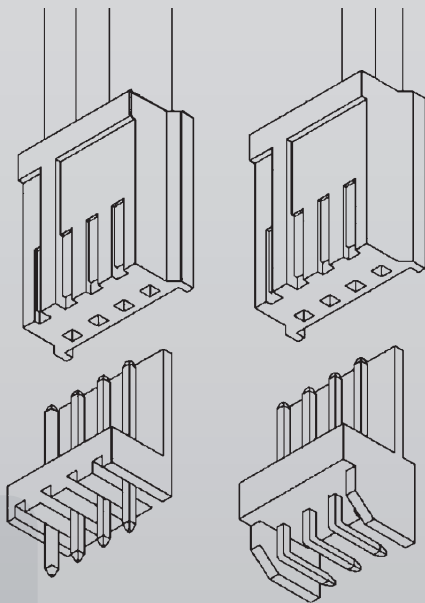
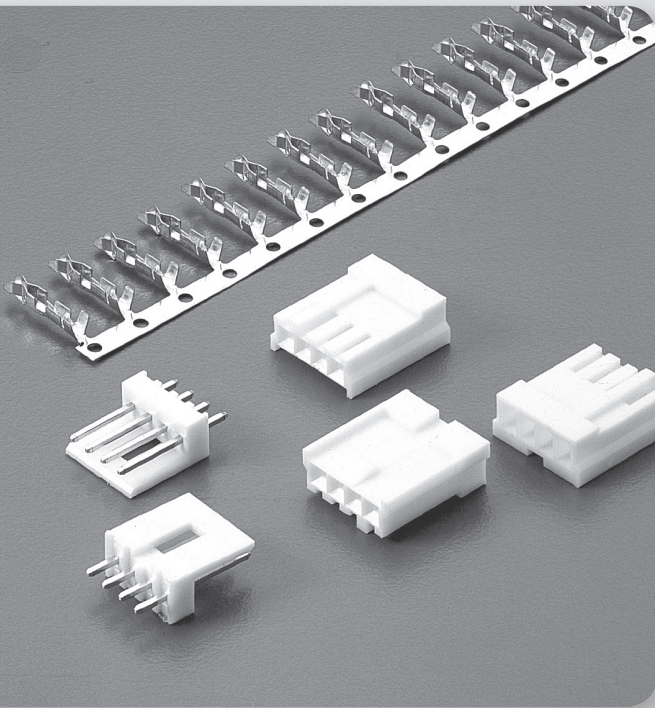
Applicable Wires : AWG# 18 - 22

Material : Brass

Finish : Tin Plated

Thickness : 0.2mm

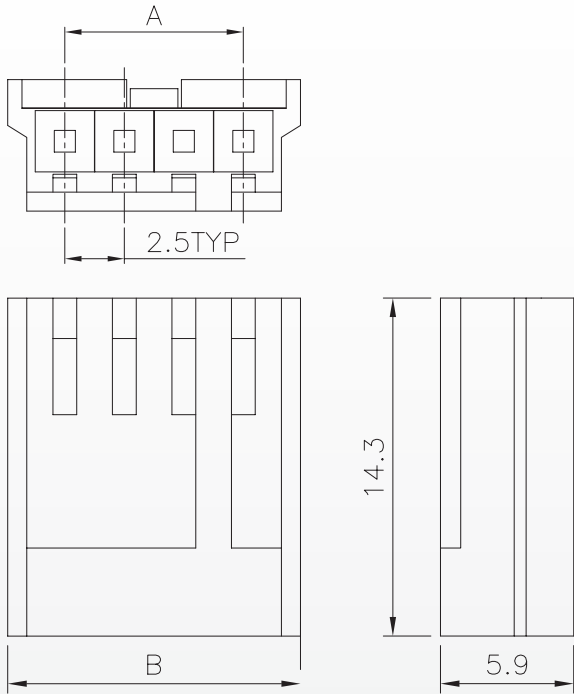
Q'ty : 10,000 pcs/Reel





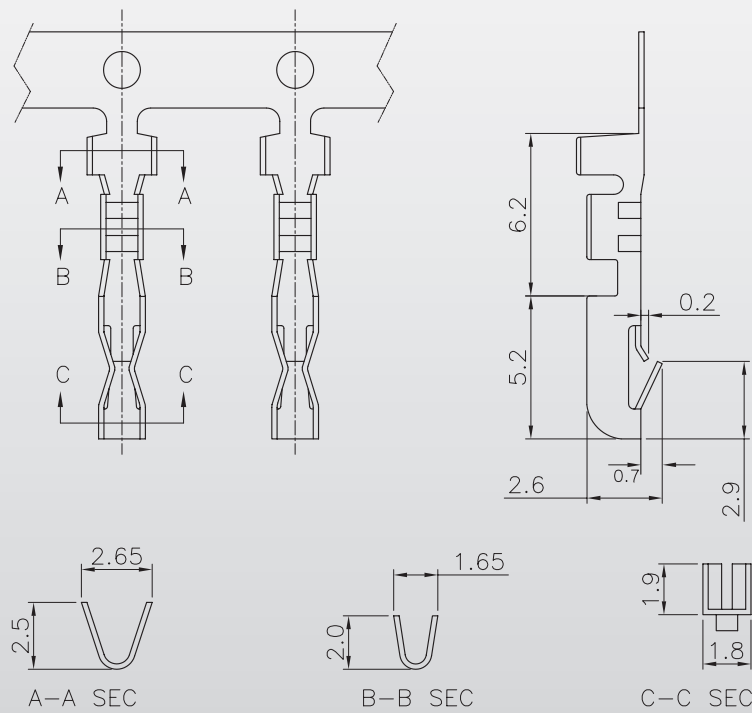
# 2.50mm (.098") Disk Drive Power Connectors

## Housing JS-1116



Poles	Part No.	Dimensions (mm)	
	JS-1116	A	B
2	JS-1116-02	2.50	7.30
3	JS-1116-03	5.00	9.90
4	JS-1116-04	7.50	12.50
5	JS-1116-05	10.00	14.80
6	JS-1116-06	12.50	17.40
7	JS-1116-07	15.00	20.10
8	JS-1116-08	17.50	22.20

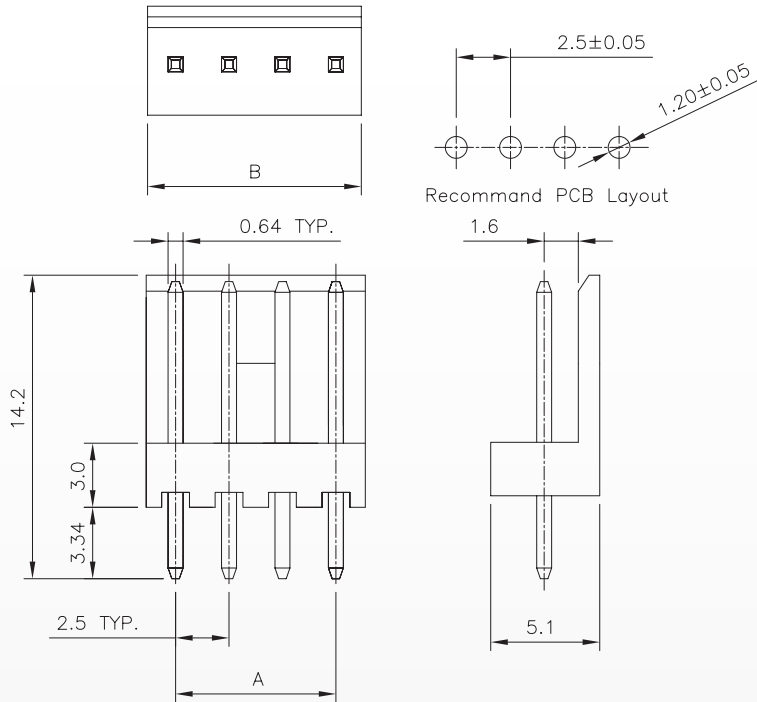
## Terminal JS-1116-T





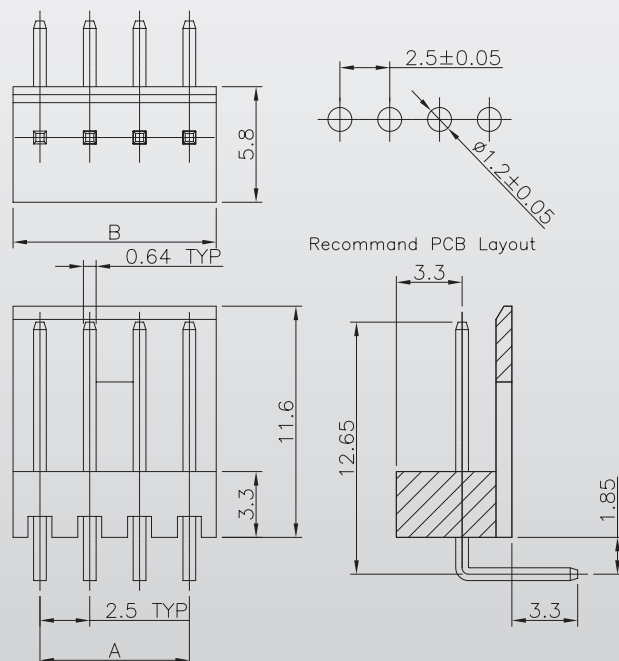
# 2.50mm (.098") Disk Drive Power Connectors

## Wafer - Straight JS-1116-xxW



Poles	Part No.		Dimensions (mm)	
	JS-1116-xxW	JS-1116-xxWR	A	B
2	JS-1116-02W	-----	2.50	5.10
3	JS-1116-03W	-----	5.00	7.60
4	JS-1116-04W	JS-1116-04WR	7.50	10.10
5	JS-1116-05W	-----	10.00	12.70
6	JS-1116-06W	-----	12.50	15.20
7	JS-1116-07W	-----	15.00	17.70
8	JS-1116-08W	-----	17.50	20.30

## Wafer - Right Angle JS-1116-04WR



# 2.50mm (.098") Crimp Style Connectors

## Specifications

- Voltage Rating : 250V AC/DC
- Current Rating : 3A AC/DC
- Withstanding Voltage : 1,000V AC/minute
- Insulation Resistance : 1,000M min.
- Temperature Range : -25°C to + 85°C
- Contact Resistance : 20mΩ max.

## Features:

### ■ HOUSING

Part No. : JS-1128

Poles : 2 - 15

Material : Nylon 66 UL94V-2

Q,ty : 1,000 pcs/Bag

### ■ WAFER

Part No. : JS-1129 (Straight)

JS-1129R (Right Angle)

Poles : 2 - 15

Material : Contact : Brass, Tin Plated

Base : Nylon 66 UL94V-2

Q'ty : 1,000 pcs/Bag

### ■ TERMINAL

Part No. : JS-1128-T, JS-1128-PBT

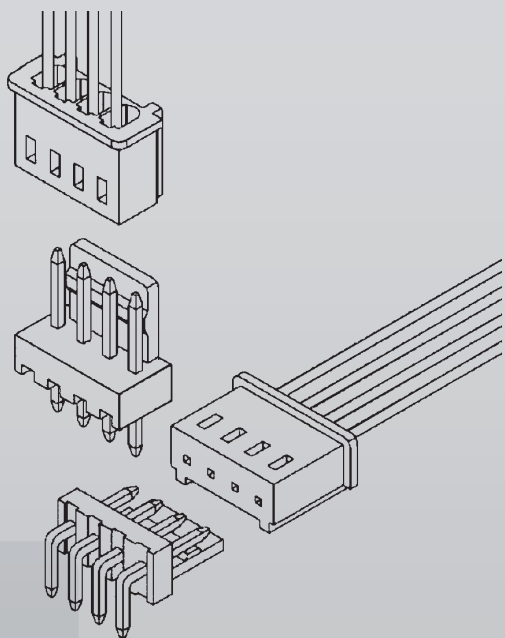
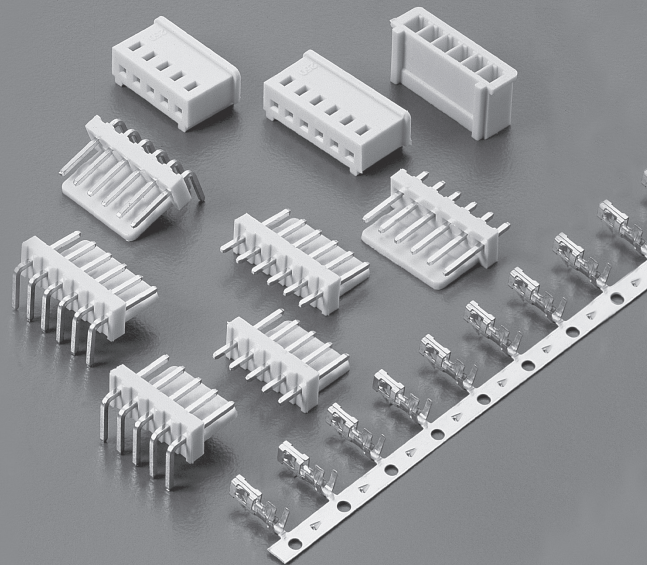
Applicable Wires : AWG# 22 - 28

Material : Brass, Phos. Bronze

Finish : Tin Plated

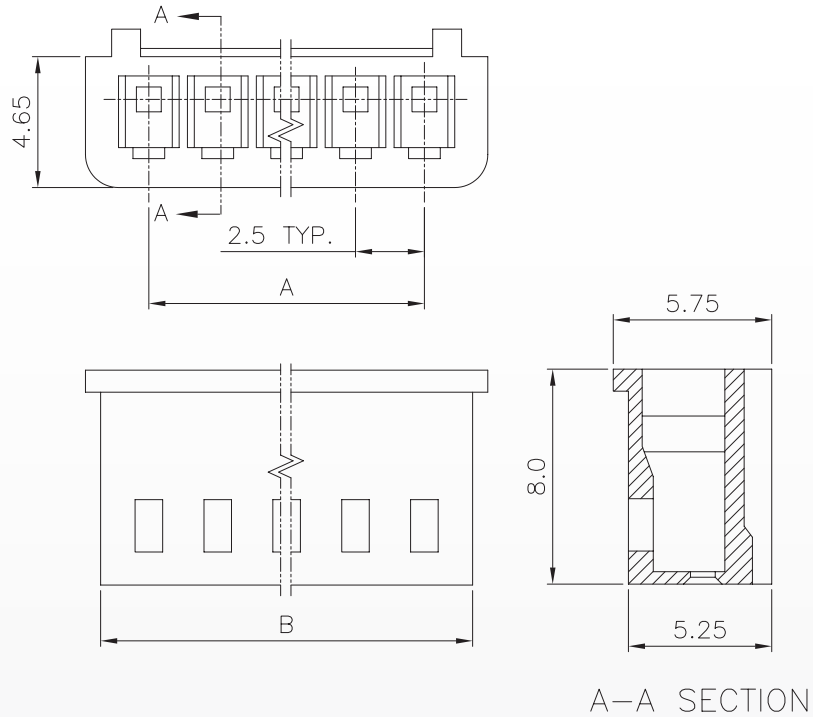
Thickness : 0.2mm

Q'ty : 8,000 pcs/Reel



# 2.50mm (.098") Crimp Style Connectors

## Housing JS-1128

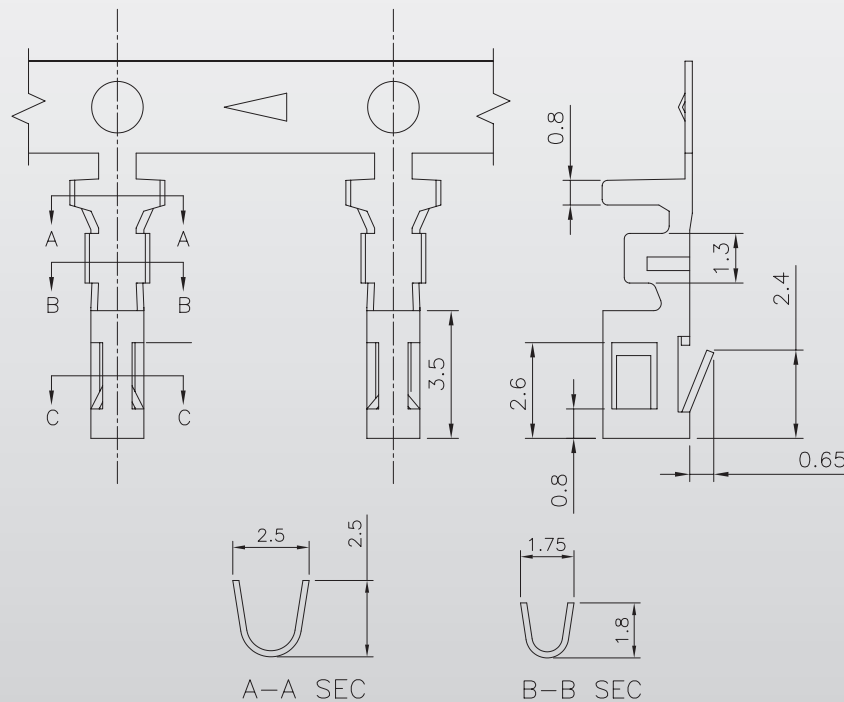


**A**

Poles	Part No.	Dimensions (mm)	
	JS-1128	A	B
2	JS-1128-02	2.50	6.00
3	JS-1128-03	5.00	8.50
4	JS-1128-04	7.50	11.00
5	JS-1128-05	10.00	13.50
6	JS-1128-06	12.50	16.00
7	JS-1128-07	15.00	18.50
8	JS-1128-08	17.50	21.00

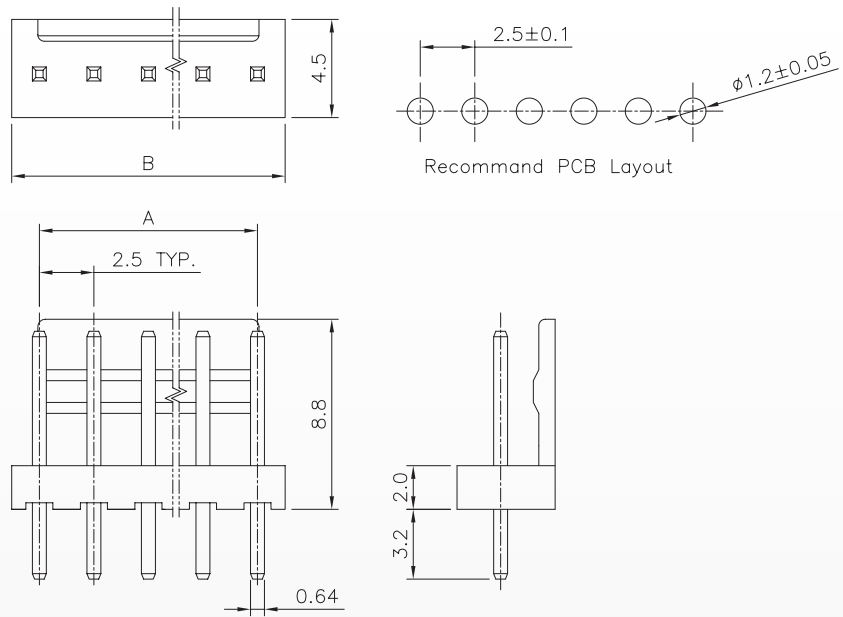
Poles	Part No.	Dimensions (mm)	
	JS-1128	A	B
9	JS-1128-09	20.00	23.50
10	JS-1128-10	22.50	26.00
11	JS-1128-11	25.00	28.50
12	JS-1128-12	27.50	31.00
13	JS-1128-13	30.00	33.50
14	JS-1128-14	32.50	36.00
15	JS-1128-15	35.00	38.50

## Terminal JS-1128-T



# 2.50mm (.098") Crimp Style Connectors

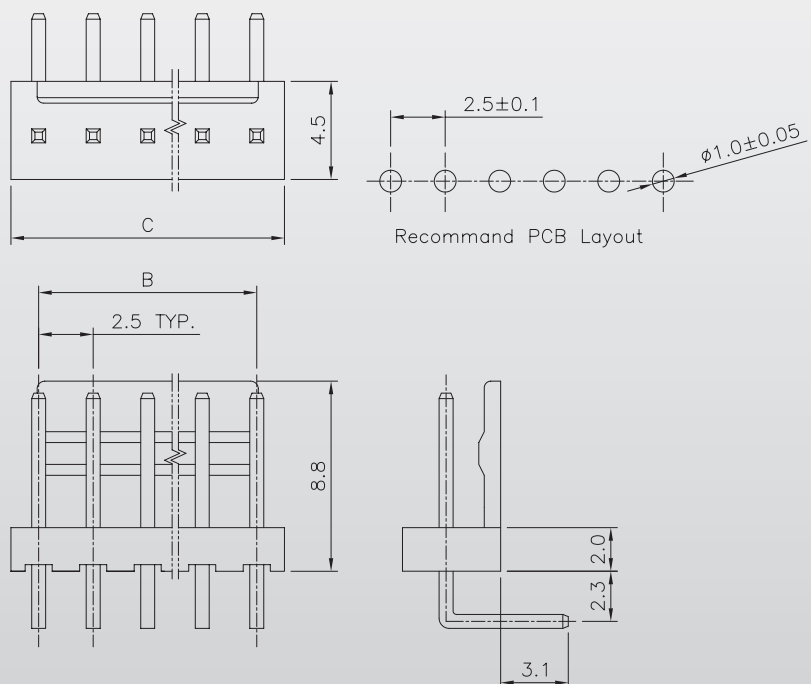
## Wafer - Straight JS-1129



Poles	Part No.		Dimensions (mm)	
	JS-1129	JS-1129R	A	B
2	JS-1129-02	JS-1129R-02	2.50	5.00
3	JS-1129-03	JS-1129R-03	5.00	7.50
4	JS-1129-04	JS-1129R-04	7.50	10.00
5	JS-1129-05	JS-1129R-05	10.00	12.50
6	JS-1129-06	JS-1129R-06	12.50	15.00
7	JS-1129-07	JS-1129R-07	15.00	17.50
8	JS-1129-08	JS-1129R-08	17.50	20.00

Poles	Part No.		Dimensions (mm)	
	JS-1129	JS-1129R	A	B
9	JS-1129-09	JS-1129R-09	20.00	22.50
10	JS-1129-10	JS-1129R-10	22.50	25.00
11	JS-1129-11	JS-1129R-11	25.00	27.50
12	JS-1129-12	JS-1129R-12	27.50	30.00
13	JS-1129-13	JS-1129R-13	30.00	32.50
14	JS-1129-14	JS-1129R-14	32.50	35.00
15	JS-1129-15	JS-1129R-15	35.00	37.50

## Wafer - Right Angle JS-1129R



# 2.50mm (.098") Crimp Style Connectors

## Specifications

- Voltage Rating : 250V AC/DC
- Current Rating : 3A AC/DC
- Withstanding Voltage : 800V AC/minute
- Insulation Resistance : 1000MΩ min.
- Temperature Range : -25°C to + 85°C
- Contact Resistance : 20mΩ max.

## Features:

### ■ HOUSING

Part No. : JS-1131

Poles : 2 - 15

Material : Nylon 66 UL94V-0

Q,ty : 1,000 pcs/Bag

### ■ WAFER

Part No. : JS-1132 (Straight)

JS-1132R (Right Angle)

Poles : 2 - 15

Material : Contact : Brass, Tin Plated

Base : Nylon 66 UL94V-0

Q,ty : 1,000 pcs/Bag

### ■ TERMINAL

Part No. : JS-1131-T

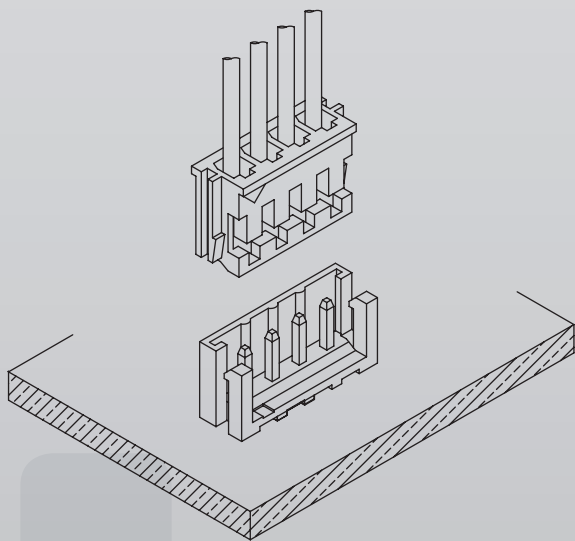
Applicable Wires : AWG# 22 - 28

Material : Phos. Bronze

Finish : Tin Plated

Thickness : 0.2mm

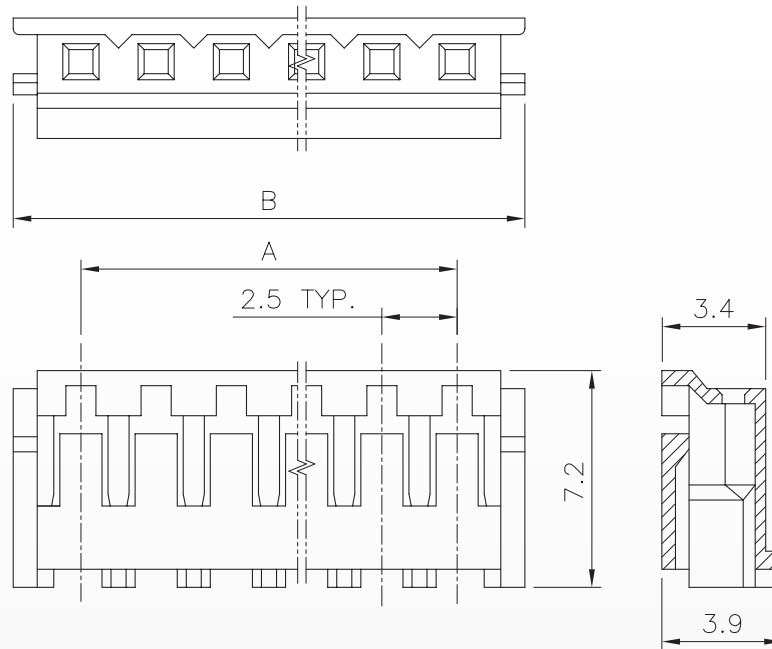
Q,ty : 10,000 pcs/Reel





# 2.50mm (.098") Crimp Style Connectors

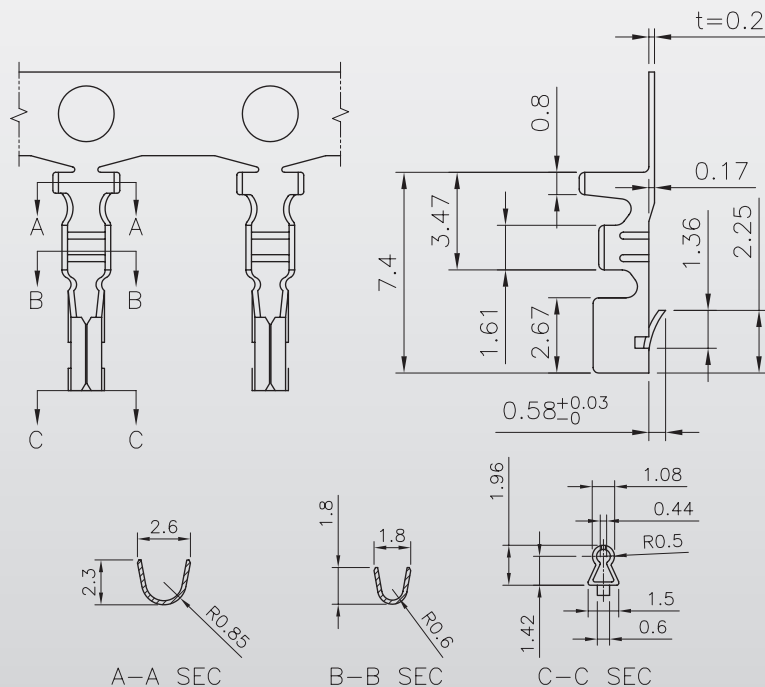
## Housing JS-1131



Poles	Part No.	Dimensions (mm)	
	JS-1131	A	B
2	JS-1131-02	2.50	7.00
3	JS-1131-03	5.00	9.50
4	JS-1131-04	7.50	12.00
5	JS-1131-05	10.00	14.50
6	JS-1131-06	12.50	17.00
7	JS-1131-07	15.00	19.50
8	JS-1131-08	17.50	22.00

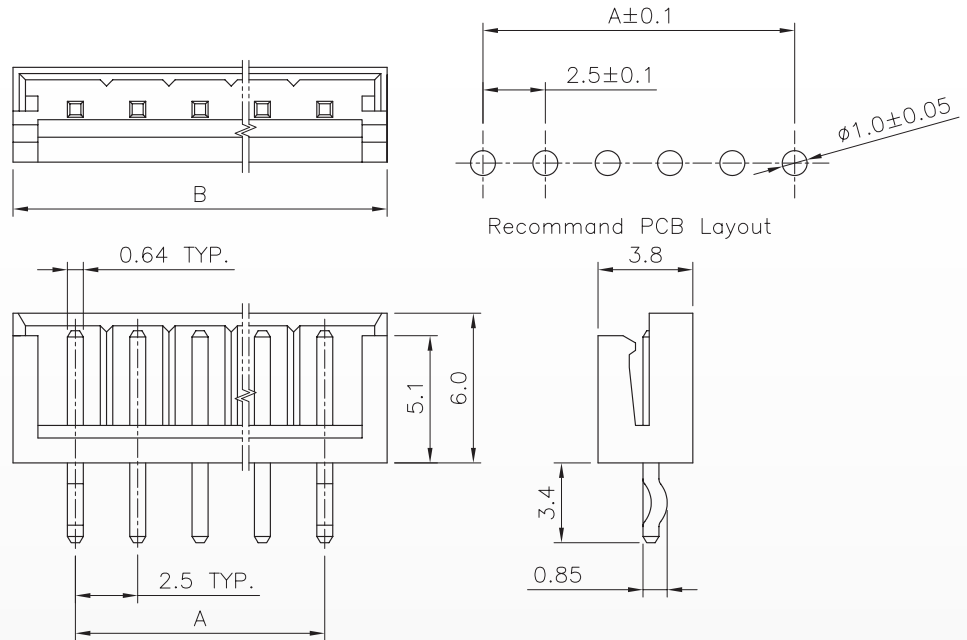
Poles	Part No.	Dimensions (mm)	
	JS-1131	A	B
9	JS-1131-09	20.00	24.50
10	JS-1131-10	22.50	27.00
11	JS-1131-11	25.00	29.50
12	JS-1131-12	27.50	32.00
13	JS-1131-13	30.00	34.50
14	JS-1131-14	32.50	37.00
15	JS-1131-15	35.00	39.50

## Terminal JS-1131-T



# 2.50mm (.098") Crimp Style Connectors

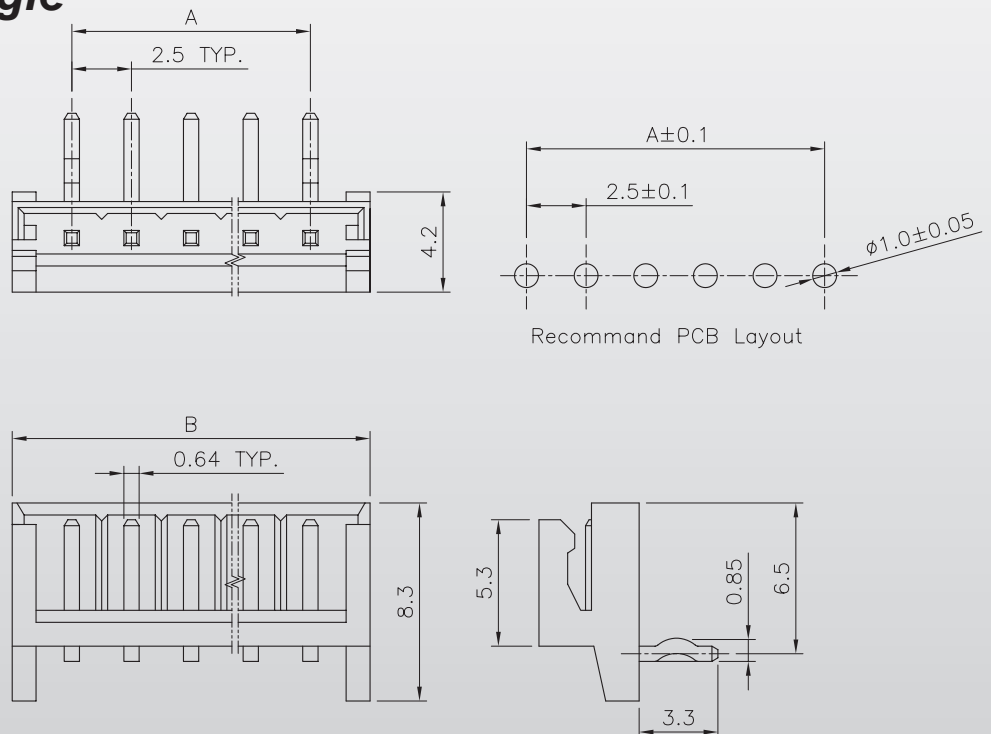
## Wafer - Straight JS-1132



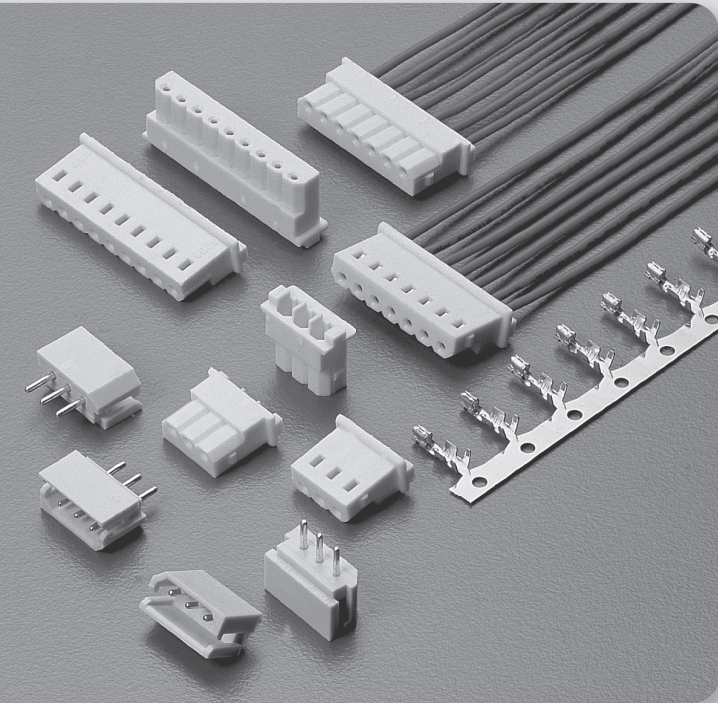
Poles	Part No.		Dimensions (mm)	
	JS-1132	JS-1132R	A	B
2	JS-1132-02	JS-1132R-02	2.50	7.50
3	JS-1132-03	JS-1132R-03	5.00	10.00
4	JS-1132-04	JS-1132R-04	7.50	12.50
5	JS-1132-05	JS-1132R-05	10.00	15.00
6	JS-1132-06	JS-1132R-06	12.50	17.50
7	JS-1132-07	JS-1132R-07	15.00	20.00
8	JS-1132-08	JS-1132R-08	17.50	22.50

Poles	Part No.		Dimensions (mm)	
	JS-1132	JS-1132R	A	B
9	JS-1132-09	JS-1132R-09	20.00	25.00
10	JS-1132-10	JS-1132R-10	22.50	27.50
11	JS-1132-11	JS-1132R-11	25.00	30.00
12	JS-1132-12	JS-1132R-12	27.50	32.50
13	JS-1132-13	JS-1132R-13	30.00	35.00
14	JS-1132-14	JS-1132R-14	32.50	37.50
15	JS-1132-15	JS-1132R-15	35.00	40.00

## Wafer - Right Angle JS-1132R



# 2.50mm (.098") Crimp Style Connectors



## Specifications

- Voltage Rating : 250V AC/DC
- Current Rating : 3A AC/DC
- Withstanding Voltage : 1,000V AC/minute
- Insulation Resistance : 1,000MΩ min.
- Temperature Range : -25°C to + 85°C
- Contact Resistance : 20mΩ max.

## Features:

### ■ HOUSING

Part No. : JS-1136

Poles : 2 - 20

Material : Nylon 66 UL94V-2

Q'ty : 1,000 pcs/Bag

### ■ WAFER

Part No. : JS-1135 (Straight)

JS-1135R (Right Angle)

Poles : 2 - 20

Material : Contact : Brass, Tin Plated

Base : Nylon 66 UL94V-2

Q'ty : 1,000 pcs/Bag

### ■ TERMINAL

Part No. : JS-1136-T

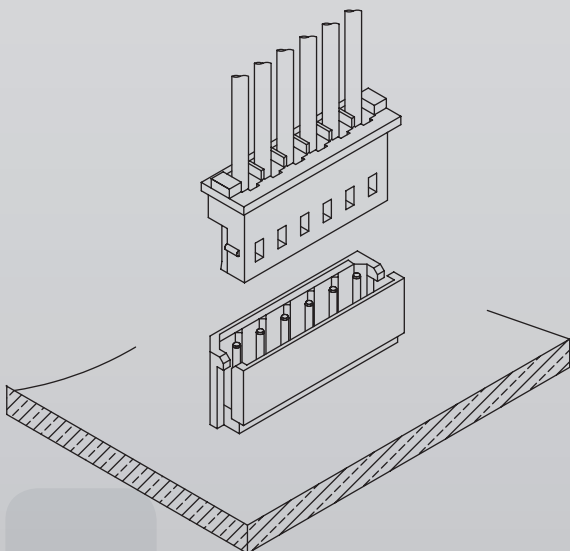
Applicable Wires : AWG# 22 - 28

Material : Brass

Finish : Tin Plated

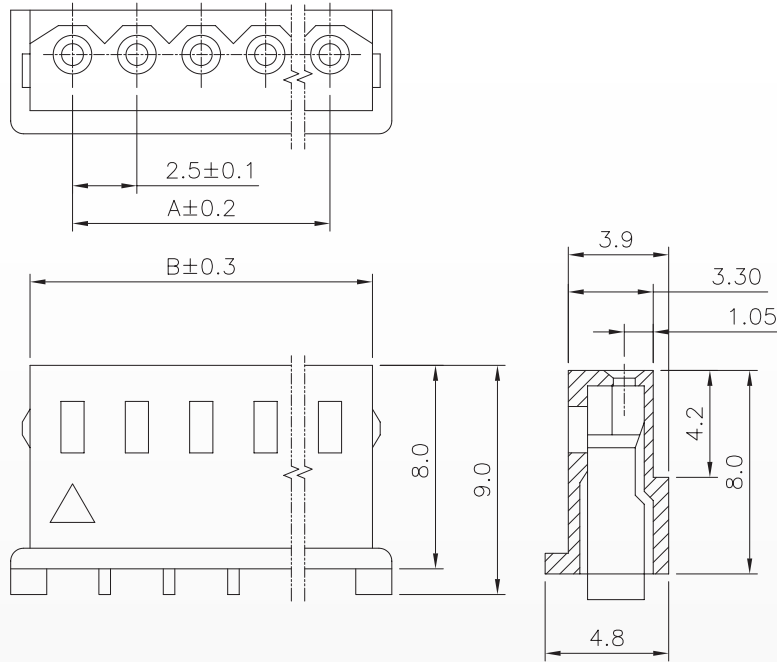
Thickness : 0.2mm

Q'ty : 10,000 pcs/Reel



# 2.50mm (.098") Crimp Style Connectors

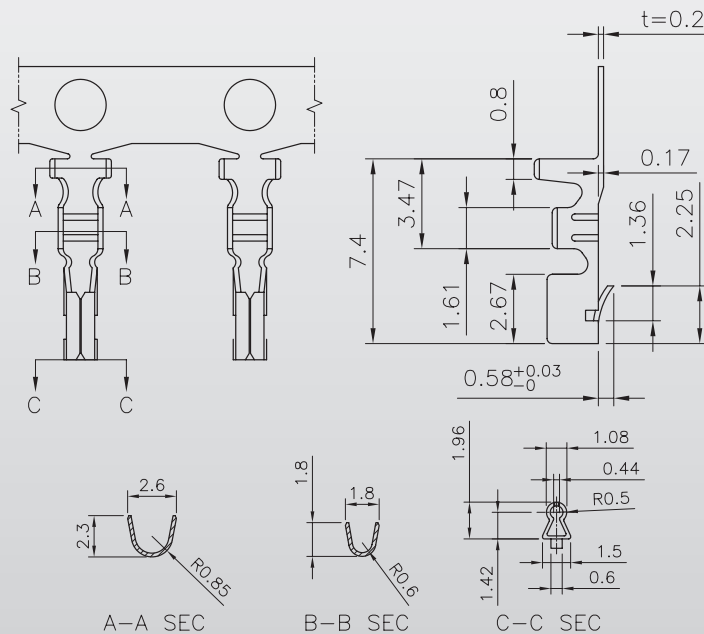
## Housing JS-1136



Poles	Part No.	Dimensions (mm)	
	JS-1136	A	B
2	JS-1136-02	2.50	5.80
3	JS-1136-03	5.00	8.30
4	JS-1136-04	7.50	10.80
5	JS-1136-05	10.00	13.30
6	JS-1136-06	12.50	15.80
7	JS-1136-07	15.00	18.30
8	JS-1136-08	17.50	20.80
9	JS-1136-09	20.00	23.30
10	JS-1136-10	22.50	25.80
11	JS-1136-11	25.00	28.30

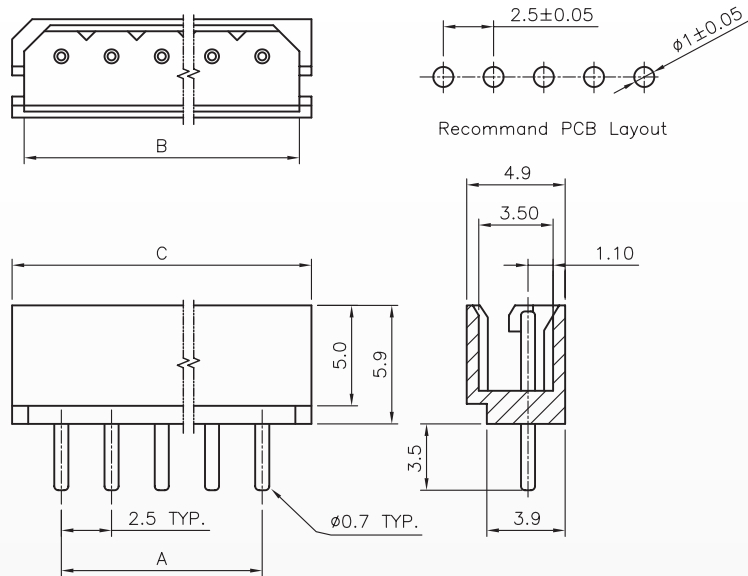
Poles	Part No.	Dimensions (mm)	
	JS-1136	A	B
12	JS-1136-12	27.50	30.80
13	JS-1136-13	30.00	33.30
14	JS-1136-14	32.50	35.80
15	JS-1136-15	35.00	38.30
16	JS-1136-16	37.50	40.80
17	JS-1136-17	40.00	43.30
18	JS-1136-18	42.50	45.80
19	JS-1136-19	45.00	48.30
20	JS-1136-20	47.50	50.80

## Terminal JS-1136-T



# 2.50mm (.098") Crimp Style Connectors

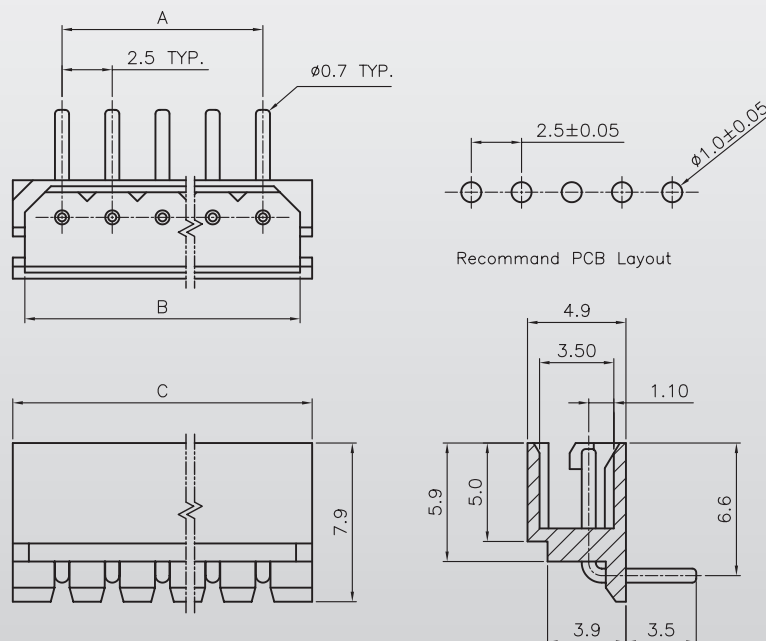
## Wafer - Straight JS-1135



Poles	Part No.		Dimensions (mm)		
	JS-1135	JS-1135R	A	B	C
2	JS-1135-02	JS-1135R-02	2.50	6.00	7.50
3	JS-1135-03	JS-1135R-03	5.00	8.50	10.00
4	JS-1135-04	JS-1135R-04	7.50	11.00	12.50
5	JS-1135-05	JS-1135R-05	10.00	13.50	15.00
6	JS-1135-06	JS-1135R-06	12.50	16.00	17.50
7	JS-1135-07	JS-1135R-07	15.00	18.50	20.00
8	JS-1135-08	JS-1135R-08	17.50	21.00	22.50
9	JS-1135-09	JS-1135R-09	20.00	23.50	25.00
10	JS-1135-10	JS-1135R-10	22.50	26.00	27.50
11	JS-1135-11	JS-1135R-11	25.00	28.50	30.00

Poles	Part No.		Dimensions (mm)		
	JS-1135	JS-1135R	A	B	C
12	JS-1135-12	JS-1135R-12	27.50	31.00	32.50
13	JS-1135-13	JS-1135R-13	30.00	33.50	35.00
14	JS-1135-14	JS-1135R-14	32.50	36.00	37.50
15	JS-1135-15	JS-1135R-15	35.00	38.50	40.00
16	JS-1135-16	JS-1135R-16	37.50	41.00	42.50
17	JS-1135-17	JS-1135R-17	40.00	43.50	45.00
18	JS-1135-18	JS-1135R-18	42.50	46.00	47.50
19	JS-1135-19	JS-1135R-19	45.00	48.50	50.00
20	JS-1135-20	JS-1135R-20	47.50	51.00	52.50

## Wafer - Right Angle JS-1135R





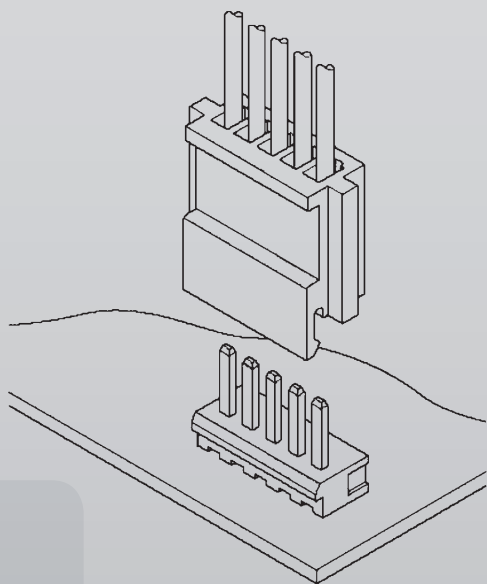
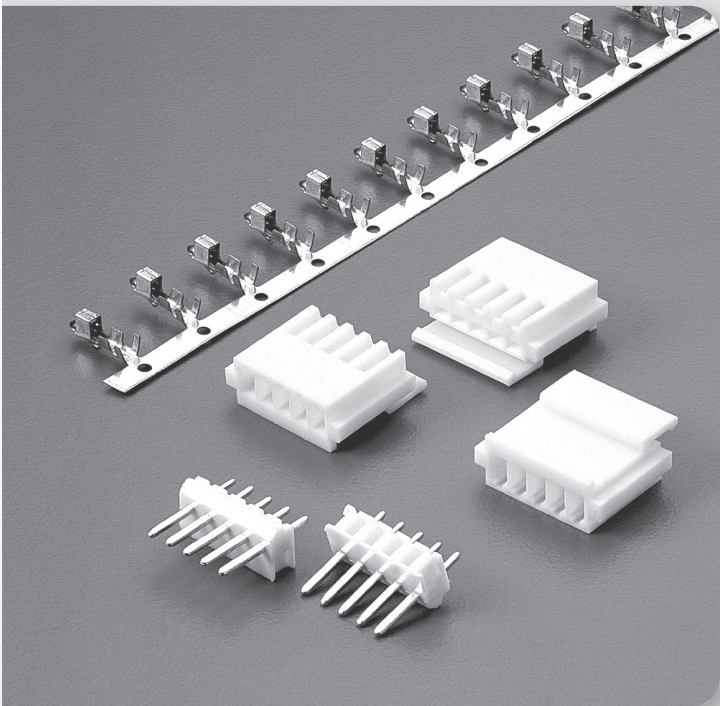
# 2.50mm (.098") Crimp Style Connectors

## Specifications

- Voltage Rating : 250V AC/DC
- Current Rating : 3A AC/DC
- Withstanding Voltage : 1,500V AC/minute
- Insulation Resistance : 500MΩ min.
- Temperature Range : -25°C to + 85°C
- Contact Resistance : 20mΩ max.

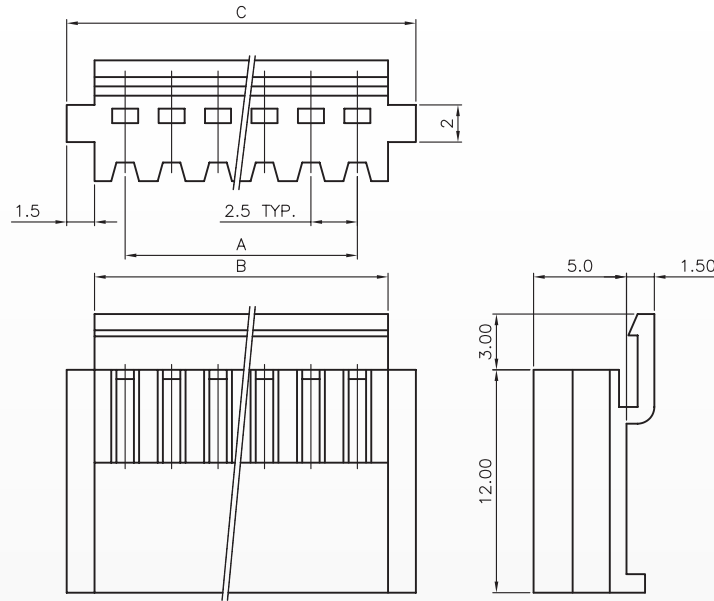
## Features:

- HOUSING  
Part No. : JS-1140  
Poles : 2 - 20  
Material : Nylon 66 UL94V-0  
Q'ty : 1,000 pcs/Bag
- WAFER  
Part No. : JS-1141 (Straight)  
JS-1141R (Right Angle)  
Poles : 2 - 20  
Material : Contact : Brass, Tin Plated  
Base : Nylon 66 UL94V-0  
Q'ty : 1,000 pcs/Bag
- TERMINAL  
Part No. : JS-6503-T  
Applicable Wires : AWG# 22 - 28  
Material : Brass  
Finish : Tin Plated  
Thickness : 0.2mm  
Q'ty : 7,000 pcs/Reel



# 2.50mm (.098") Crimp Style Connectors

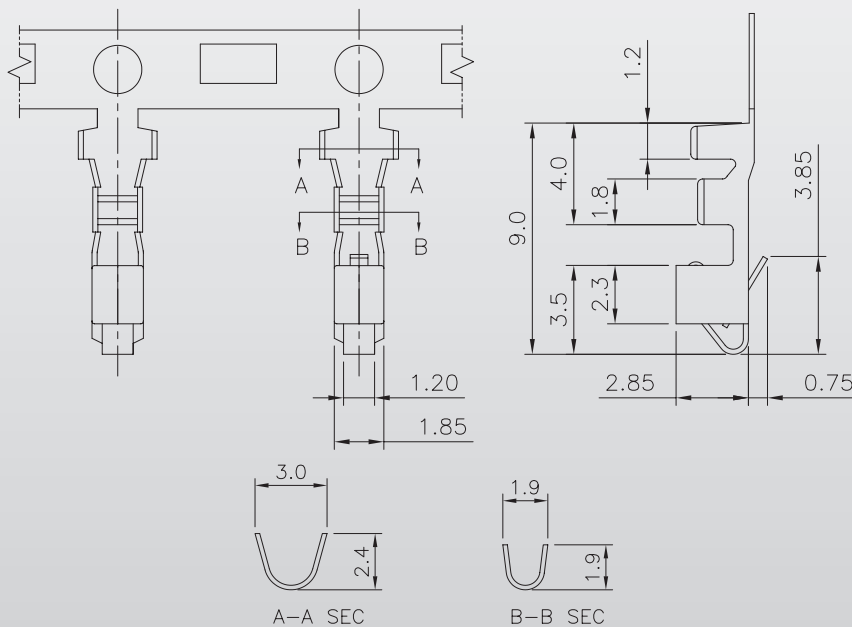
## Housing JS-1140



Poles	Part No.	Dimensions (mm)		
	JS-1140	A	B	C
2	JS-1140-02	2.50	5.70	8.70
3	JS-1140-03	5.00	8.20	11.20
4	JS-1140-04	7.50	10.70	13.70
5	JS-1140-05	10.00	13.20	16.20
6	JS-1140-06	12.50	15.70	18.70
7	JS-1140-07	15.00	18.20	21.20
8	JS-1140-08	17.50	20.70	23.70
9	JS-1140-09	20.00	23.20	26.20
10	JS-1140-10	22.50	25.70	28.70
11	JS-1140-11	25.00	28.20	31.20

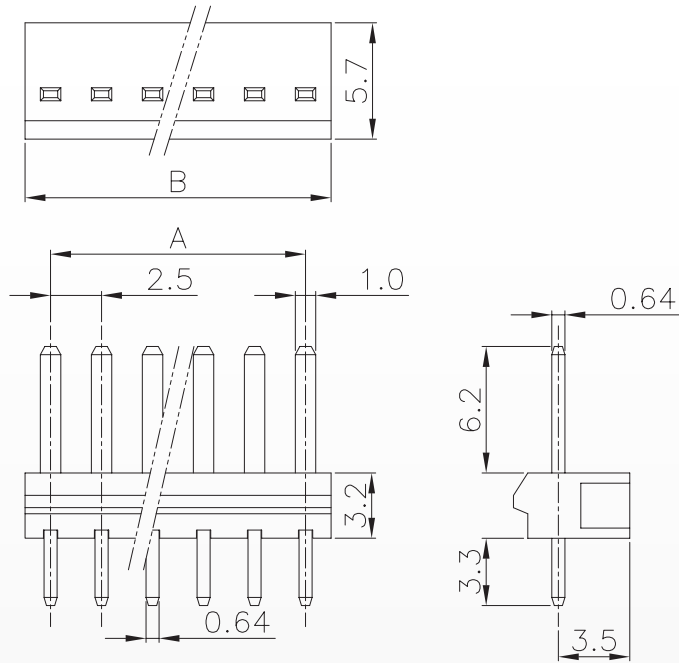
Poles	Part No.	Dimensions (mm)		
	JS-1140	A	B	C
12	JS-1140-12	27.50	30.70	33.70
13	JS-1140-13	30.00	33.20	36.20
14	JS-1140-14	32.50	35.70	38.70
15	JS-1140-15	35.00	38.20	41.20
16	JS-1140-16	37.50	40.70	43.70
17	JS-1140-17	40.00	43.20	46.20
18	JS-1140-18	42.50	45.70	48.70
19	JS-1140-19	45.00	48.20	51.20
20	JS-1140-20	47.50	50.70	53.70

## Terminal JS-6503-T



# 2.50mm (.098") Crimp Style Connectors

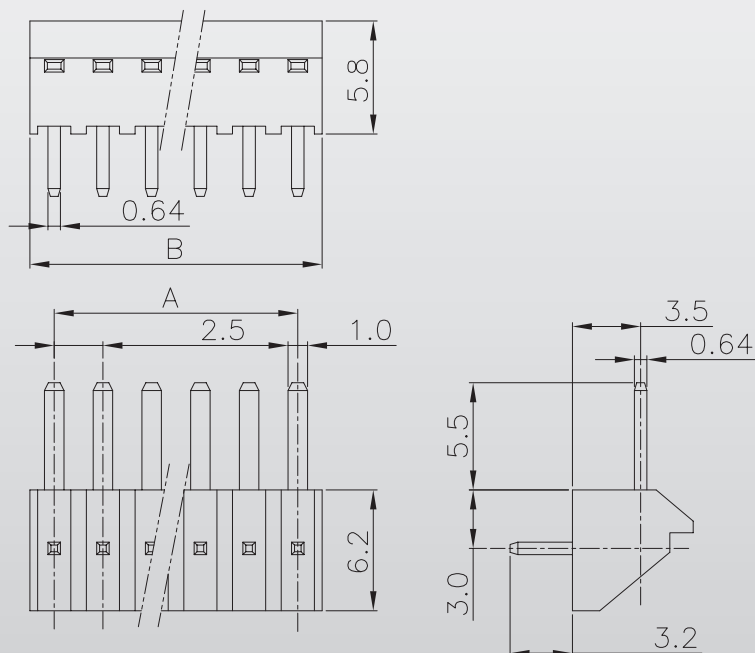
## Wafer - Straight JS-1141



Poles	Part No.		Dimensions (mm)	
	JS-1141	JS-1141R	A	B
2	JS-1141-02	JS-1141R-02	2.50	5.00
3	JS-1141-03	JS-1141R-03	5.00	7.50
4	JS-1141-04	JS-1141R-04	7.50	10.00
5	JS-1141-05	JS-1141R-05	10.00	12.50
6	JS-1141-06	JS-1141R-06	12.50	15.00
7	JS-1141-07	JS-1141R-07	15.00	17.50
8	JS-1141-08	JS-1141R-08	17.50	20.00
9	JS-1141-09	JS-1141R-09	20.00	22.50
10	JS-1141-10	JS-1141R-10	22.50	25.00
11	JS-1141-11	JS-1141R-11	25.00	27.50

Poles	Part No.		Dimensions (mm)	
	JS-1141	JS-1141R	A	B
12	JS-1141-12	JS-1141R-12	27.50	30.00
13	JS-1141-13	JS-1141R-13	30.00	32.50
14	JS-1141-14	JS-1141R-14	32.50	35.00
15	JS-1141-15	JS-1141R-15	35.00	37.50
16	JS-1141-16	JS-1141R-16	37.50	40.00
17	JS-1141-17	JS-1141R-17	40.00	42.50
18	JS-1141-18	JS-1141R-18	42.50	45.00
19	JS-1141-19	JS-1141R-19	45.00	47.50
20	JS-1141-20	JS-1141R-20	47.50	50.00

## Wafer - Right Angle JS-1141R



# 2.50mm (.098") Crimp Style Connectors

## Specifications

- Voltage Rating : 250V AC/DC
- Current Rating : 3A AC/DC
- Withstanding Voltage : 1,000V AC/minute
- Insulation Resistance : 100MΩ min.
- Temperature Range : -25°C to + 85°C
- Contact Resistance : 20mΩ max.

## Features:

### ■ HOUSING

Part No. : JS-1170

Poles : 2 - 15

Material : Nylon 66 UL94V-0 + Glass Fiber

Q'ty : 1,000 pcs/Bag

### ■ WAFER

Part No. : JS-1169 (Straight)

Poles : 2 - 15

Material : Contact : Brass, Tin Plated

Base : Nylon 66 UL94V-0 + Glass Fiber

Q'ty : 1,000 pcs/Bag

### ■ TERMINAL

Part No. : JS-1170-T

Applicable Wires : AWG# 22 - 30

Material : Phos. Bronze

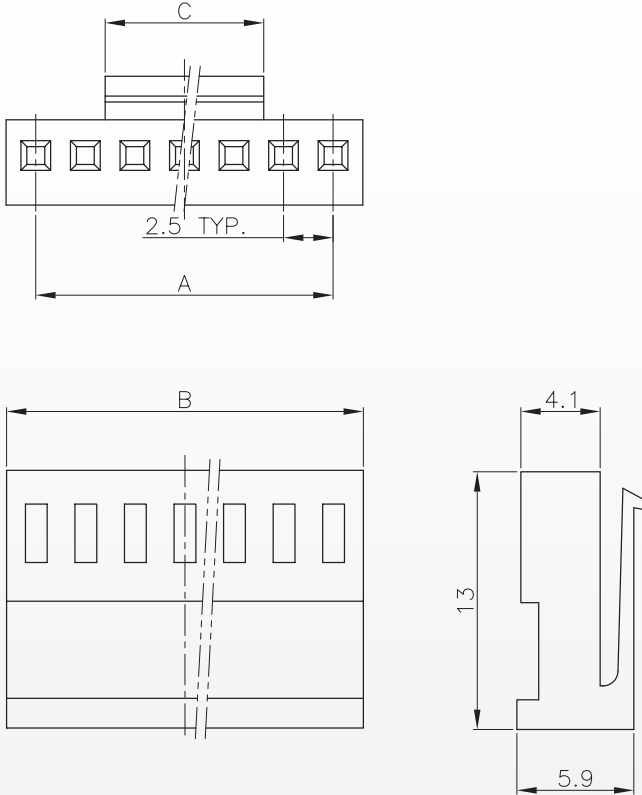
Finish : Tin Plated

Thickness : 0.25mm

Q'ty : 15,000 pcs/Reel

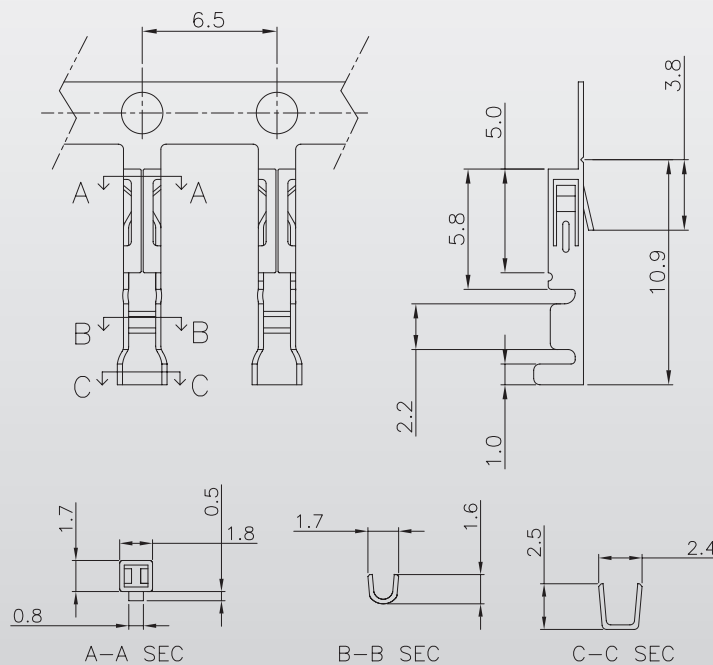
# 2.50mm (.098") Crimp Style Connectors

## Housing JS-1170



Poles	Part No.	Dimensions (mm)		
	JS-1140	A	B	C
2	JS-1170-02	2.50	5.50	2.00
3	JS-1170-03	5.00	8.00	2.50
4	JS-1170-04	7.50	10.50	5.00
5	JS-1170-05	10.00	13.00	5.00
6	JS-1170-06	12.50	15.50	6.00
7	JS-1170-07	15.00	18.00	8.00
8	JS-1170-08	17.50	20.50	10.00
9	JS-1170-09	20.00	23.00	10.00
10	JS-1170-10	22.50	25.50	10.00
11	JS-1170-11	25.00	28.00	11.00
12	JS-1170-12	27.50	30.50	11.00
13	JS-1170-13	30.00	33.00	13.00
14	JS-1170-14	32.50	35.50	13.00
15	JS-1170-15	35.00	38.00	13.00

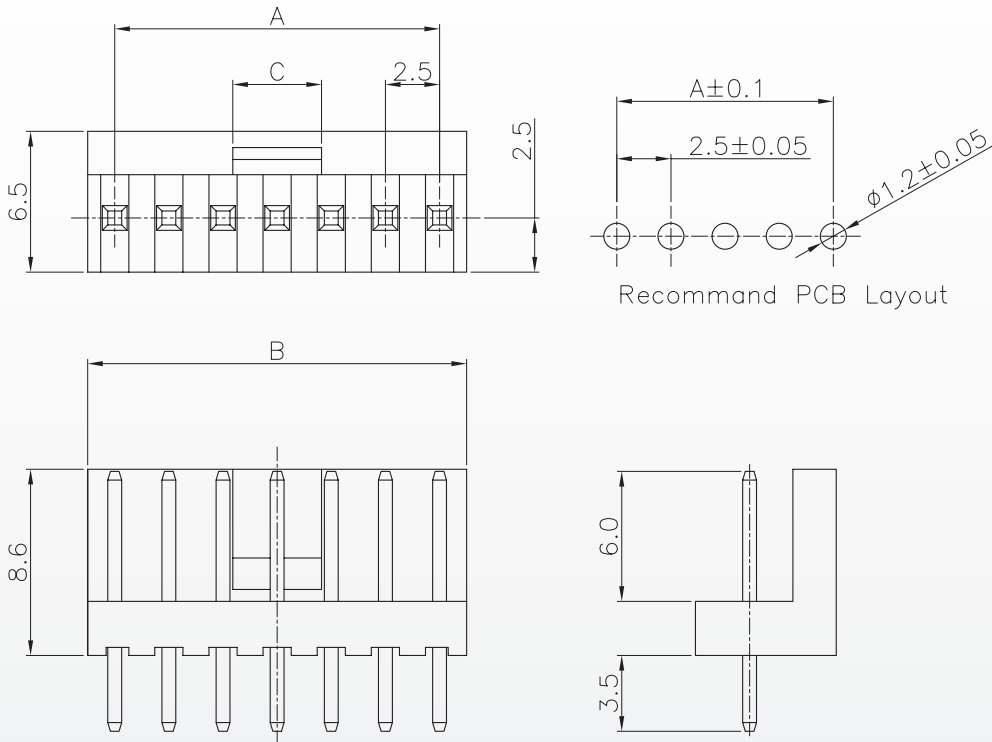
## Terminal JS-1170-T





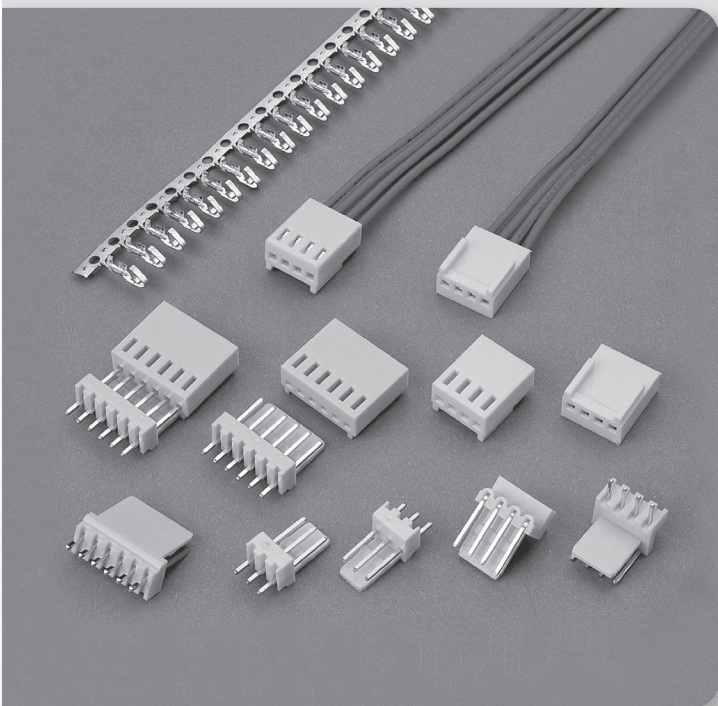
# 2.50mm (.098") Crimp Style Connectors

## Wafer - Straight JS-1169



Poles	Part No.	Dimensions (mm)		
	JS-1169	A	B	C
2	JS-1169-02	2.50	5.00	2.20
3	JS-1169-03	5.00	7.50	2.70
4	JS-1169-04	7.50	10.00	5.20
5	JS-1169-05	10.00	12.50	5.20
6	JS-1169-06	12.50	15.00	6.20
7	JS-1169-07	15.00	17.50	8.20
8	JS-1169-08	17.50	20.00	10.20
9	JS-1169-09	20.00	22.50	10.20
10	JS-1169-10	22.50	25.00	10.20
11	JS-1169-11	25.00	27.50	11.20
12	JS-1169-12	27.50	30.00	11.20
13	JS-1169-13	30.00	32.50	13.20
14	JS-1169-14	32.50	35.00	13.20
15	JS-1169-15	35.00	37.50	13.20

# 2.50mm (.098") Crimp Style Connectors

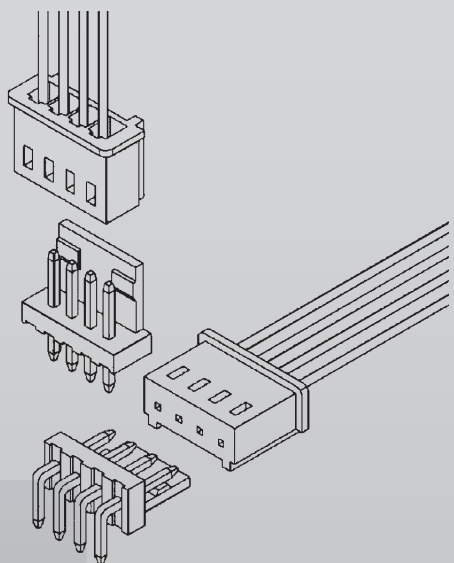


## Specifications

- Voltage Rating : 250V AC/DC
- Current Rating : 3A AC/DC
- Withstanding Voltage : 1,000V AC/minute
- Insulation Resistance : 1,000M $\Omega$  min.
- Temperature Range : -25°C to + 85°C
- Contact Resistance : 20m $\Omega$  max.

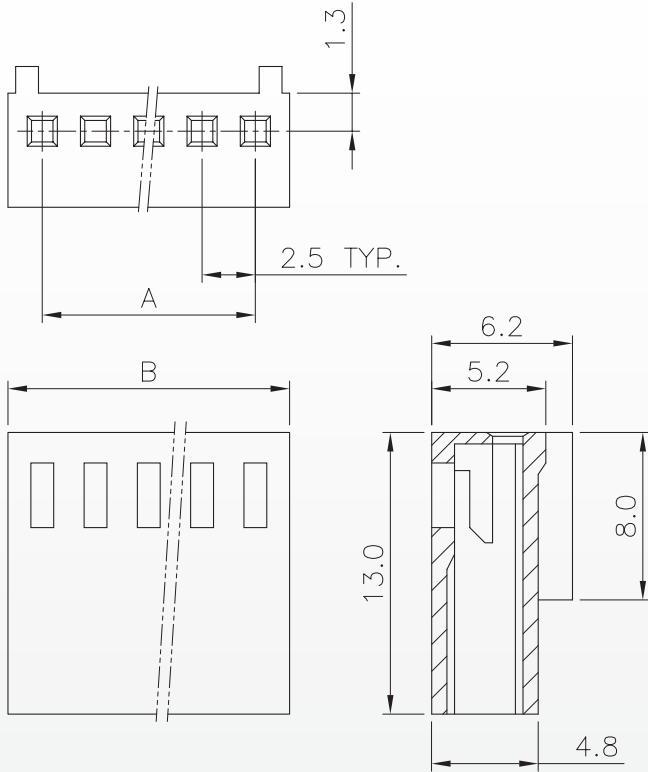
## Features:

- HOUSING  
Part No. : JS-8002  
Poles : 2 - 15  
Material : Nylon 66 UL94V-2  
Q'ty : 1,000 pcs/Bag
- WAFER  
Part No. : JS-6002 (Straight)  
JS-7002 (Right Angle)  
Poles : 2 - 15  
Material : Contact : Brass, Tin Plated  
Base : Nylon 66 UL94V-2  
Q'ty : 1,000 pcs/Bag
- TERMINAL  
Part No. : JS-8001-T, JS-8001-PBT  
Applicable Wires : AWG# 22 - 28  
Material : Brass, Phos. Bronze  
Finish : Tin Plated  
Thickness : 0.2mm  
Q'ty : 10,000 pcs/Reel



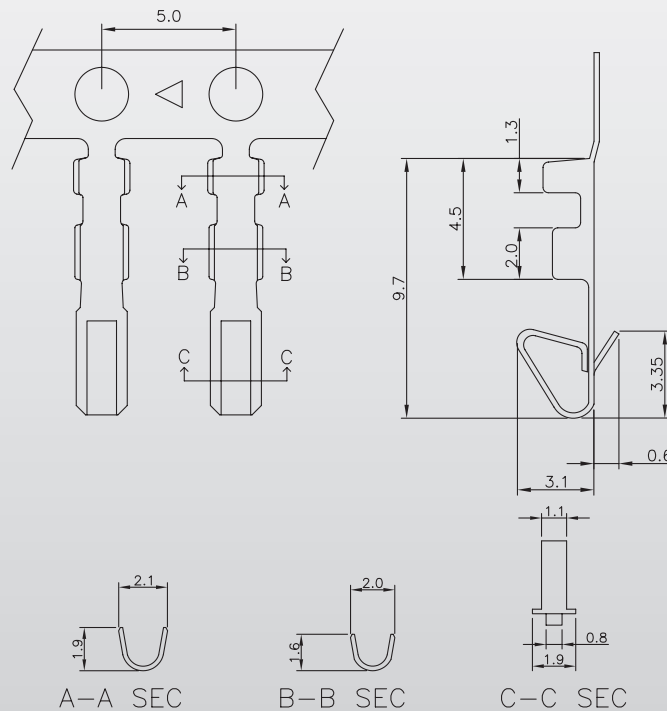
# 2.50mm (.098") Crimp Style Connectors

## Housing JS-8002



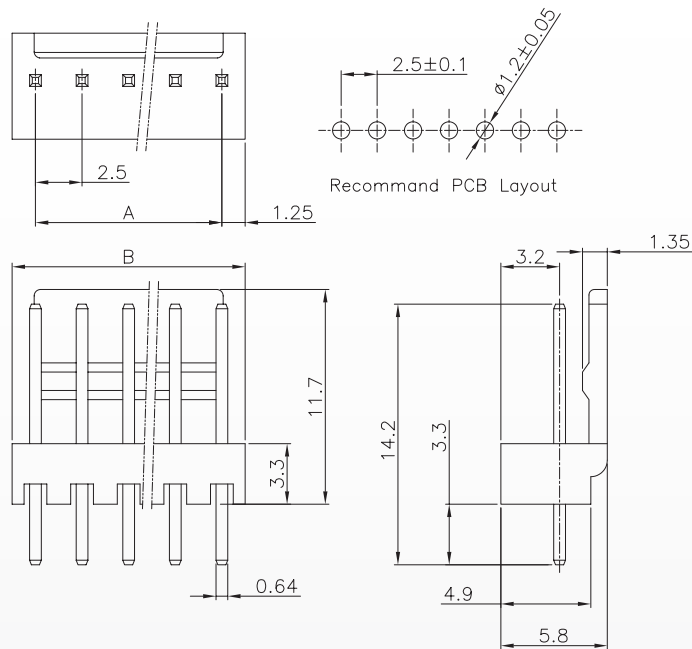
Poles	Part No.	Dimensions (mm)	
	JS-8002	A	B
2	JS-8002-02	2.50	5.80
3	JS-8002-03	5.00	8.30
4	JS-8002-04	7.50	10.80
5	JS-8002-05	10.00	13.30
6	JS-8002-06	12.50	15.80
7	JS-8002-07	15.00	18.30
8	JS-8002-08	17.50	20.80
9	JS-8002-09	20.00	23.30
10	JS-8002-10	22.50	25.80
11	JS-8002-11	25.00	28.30
12	JS-8002-12	27.50	30.80
13	JS-8002-13	30.00	33.30
14	JS-8002-14	32.50	35.80
15	JS-8002-15	35.00	38.30

## Terminal JS-8001-T



# 2.50mm (.098") Crimp Style Connectors

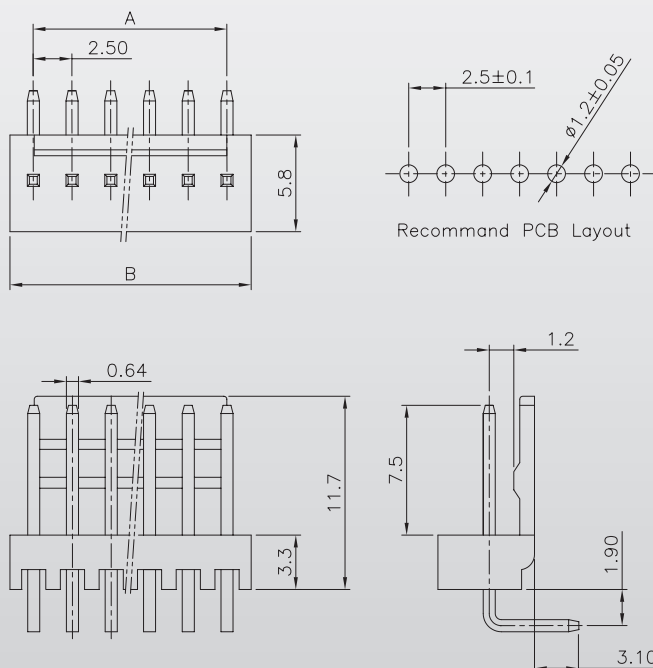
## Wafer - Straight JS-6002



Poles	Part No.		Dimensions (mm)	
	JS-6002	JS-7002	A	B
2	JS-6002-02	JS-7002-02	2.50	5.00
3	JS-6002-03	JS-7002-03	5.00	7.50
4	JS-6002-04	JS-7002-04	7.50	10.00
5	JS-6002-05	JS-7002-05	10.00	12.50
6	JS-6002-06	JS-7002-06	12.50	15.00
7	JS-6002-07	JS-7002-07	15.00	17.50
8	JS-6002-08	JS-7002-08	17.50	20.00

Poles	Part No.		Dimensions (mm)	
	JS-6002	JS-7002	A	B
9	JS-6002-09	JS-7002-09	20.00	22.50
10	JS-6002-10	JS-7002-10	22.50	25.00
11	JS-6002-11	JS-7002-11	25.00	27.50
12	JS-6002-12	JS-7002-12	27.50	30.00
13	JS-6002-13	JS-7002-13	30.00	32.50
14	JS-6002-14	JS-7002-14	32.50	35.00
15	JS-6002-15	JS-7002-15	35.00	37.50

## Wafer - Right Angle JS-7002



# 2.54mm (.100") Center Mini Latch Connectors

## Specifications

- Voltage Rating : 250V AC/DC
- Current Rating : 3A AC/DC
- Withstanding Voltage : 1,000V AC/minute
- Insulation Resistance : 1,000MΩ min.
- Temperature Range : -25°C to + 85°C
- Contact Resistance : 20mΩ max.

## Features:

### ■ HOUSING

Part No. : JS-1108 (Single Row)

JS-1105, JS-1105B (Double Row)

Poles : 1 - 40 (Single Row)

2x2 - 40x2 (Double Row)

Material : Nylon UL94V-1

Q'ty : 1,000 pcs/bag

### ■ HEADER

Part No. : JS-1109 (180°) (Single Row)

JS-1110 (90°) (Single Row)

JS-1106 (180°) (Double Row)

JS-1107 (90°) (Double Row)

Poles : 1 - 40 (Single Row)

2x2 - 40x2 (Double Row)

Material : Contact : Brass, Gold Plated

Base : PBT UL94V-0

Q'ty : 1,000 pcs/bag

### ■ TERMINAL

Part No.: JS-1105-T, JS-1108-T

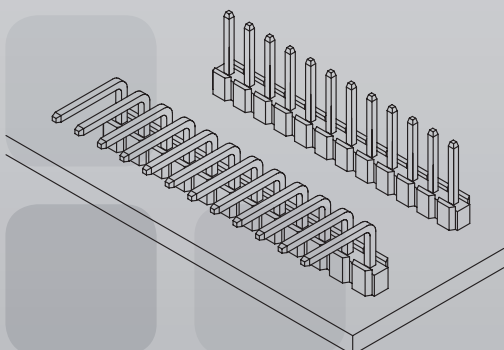
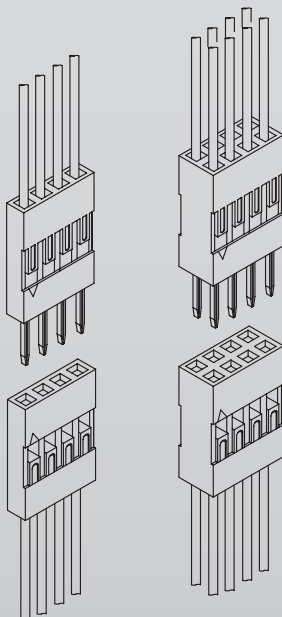
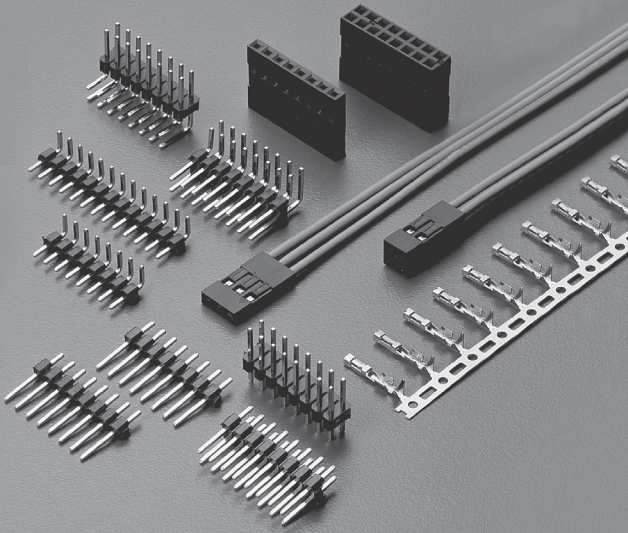
Applicable Wires : AWG# 22 - 28

Material : Brass

Finish : Gold Plated, Tin Plated

Thickness : 0.2mm

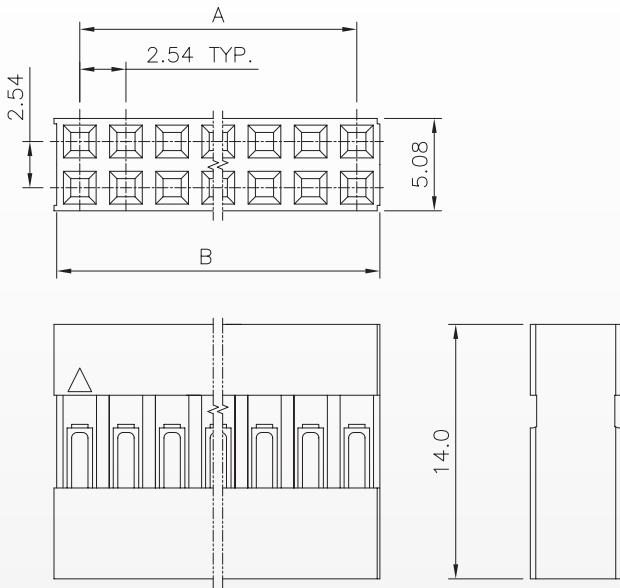
Q'ty : 10,000 pcs/Reel



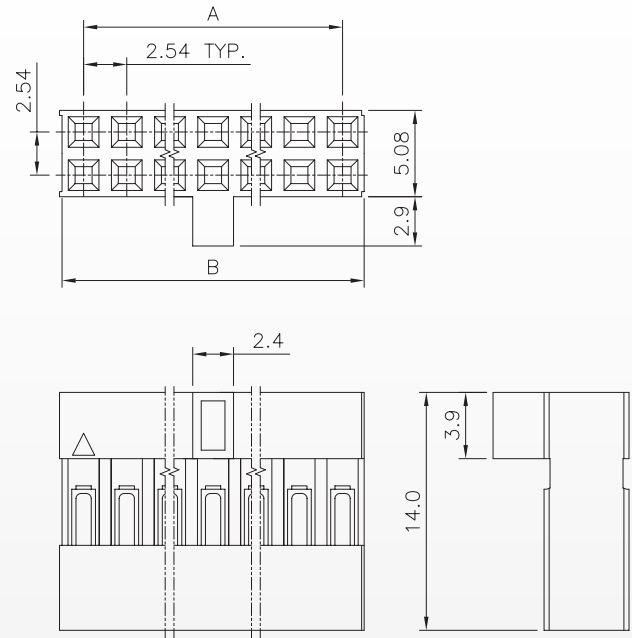


# 2.54mm (.100") Center Mini Latch Connectors

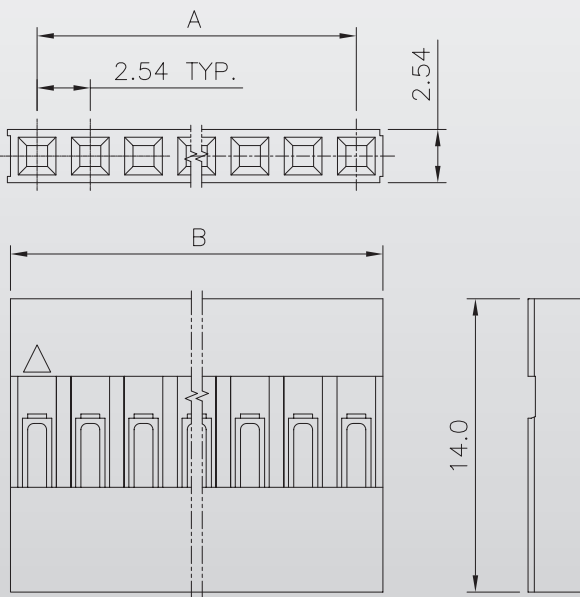
## Housing - Double Row JS-1105



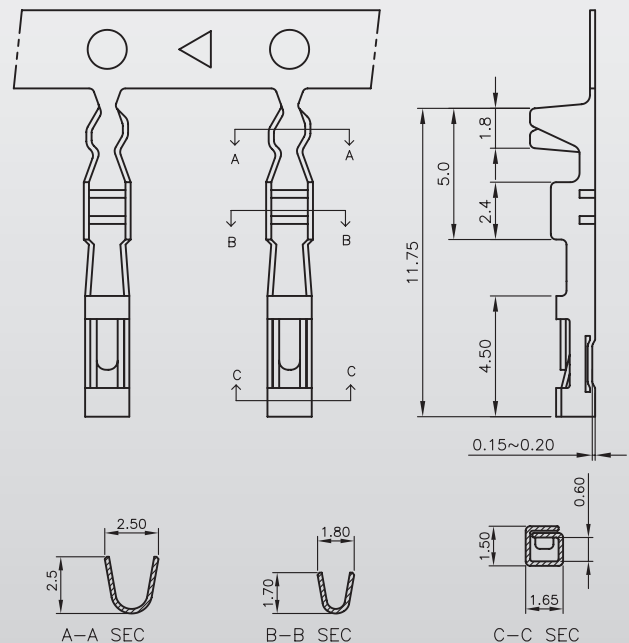
## Housing - Double Row JS-1105B (With Ribs)



## Housing - Single Row JS-1108



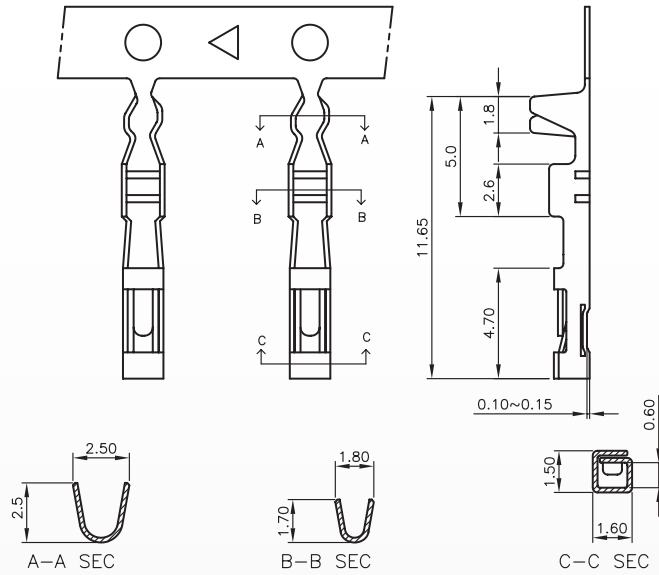
## Terminal JS-1108-T



A

# 2.54mm (.100") Center Mini Latch Connectors

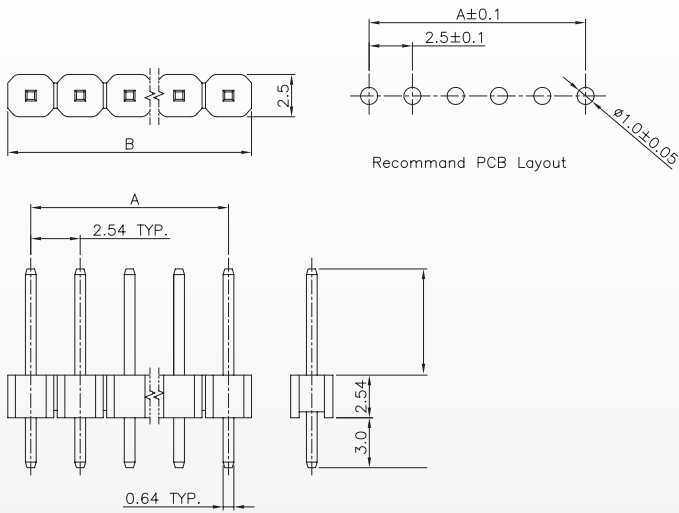
## Terminal JS-1105-T



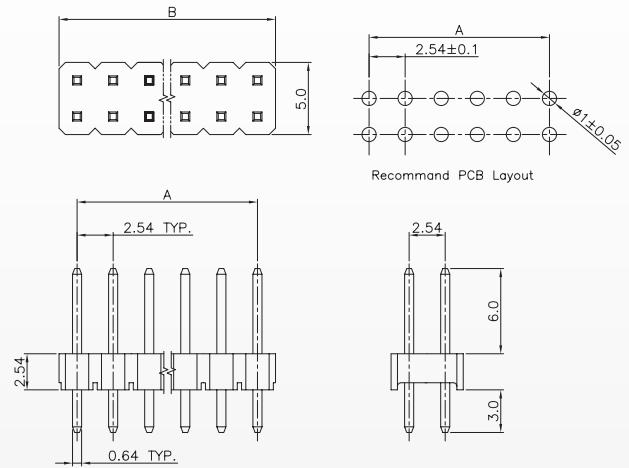
Part No.		Dimensions (mm)	
JS-1105B	JS-1108	A	B
JS-1105B- 2x2	JS-1108-02	2.54	5.08
JS-1105B- 3x2	JS-1108-03	5.08	7.62
JS-1105B- 4x2	JS-1108-04	7.62	10.16
JS-1105B- 5x2	JS-1108-05	10.16	12.74
JS-1105B- 6x2	JS-1108-06	12.74	15.24
JS-1105B- 7x2	JS-1108-07	15.24	17.78
JS-1105B- 8x2	JS-1108-08	17.78	20.32
JS-1105B- 9x2	JS-1108-09	20.32	22.86
JS-1105B- 10x2	JS-1108-10	22.86	25.40
JS-1105B- 11x2	JS-1108-11	25.40	27.94
JS-1105B- 12x2	JS-1108-12	27.94	30.48
JS-1105B- 13x2	JS-1108-13	30.48	33.02
JS-1105B- 14x2	JS-1108-14	33.02	35.56
JS-1105B- 15x2	JS-1108-15	35.56	38.10
JS-1105B- 16x2	JS-1108-16	38.10	40.64
JS-1105B- 17x2	JS-1108-17	40.64	43.18
JS-1105B- 18x2	JS-1108-18	43.18	45.72
JS-1105B- 19x2	JS-1108-19	45.72	48.26
JS-1105B- 20x2	JS-1108-20	48.26	50.80
JS-1105B- 21x2	JS-1108-21	50.80	53.34
JS-1105B- 22x2	JS-1108-22	53.34	55.88
JS-1105B- 23x2	JS-1108-23	55.88	58.42
JS-1105B- 24x2	JS-1108-24	58.42	60.96
JS-1105B- 25x2	JS-1108-25	60.96	63.50
JS-1105B- 26x2	JS-1108-26	63.50	66.04
JS-1105B- 27x2	JS-1108-27	66.04	68.58
JS-1105B- 28x2	JS-1108-28	68.58	71.12
JS-1105B- 29x2	JS-1108-29	71.12	73.66
JS-1105B- 30x2	JS-1108-30	73.66	76.20
JS-1105B- 31x2	JS-1108-31	76.20	78.74
JS-1105B- 32x2	JS-1108-32	78.74	81.28
JS-1105B- 33x2	JS-1108-33	81.28	83.82
JS-1105B- 34x2	JS-1108-34	83.82	86.36
JS-1105B- 35x2	JS-1108-35	86.36	88.90
JS-1105B- 36x2	JS-1108-36	88.90	91.44
JS-1105B- 37x2	JS-1108-37	91.44	93.98
JS-1105B- 38x2	JS-1108-38	93.98	96.52
JS-1105B- 39x2	JS-1108-39	96.52	99.06
JS-1105B- 40x2	JS-1108-40	99.06	101.60

# 2.54mm (.100") Center Mini Latch Connectors

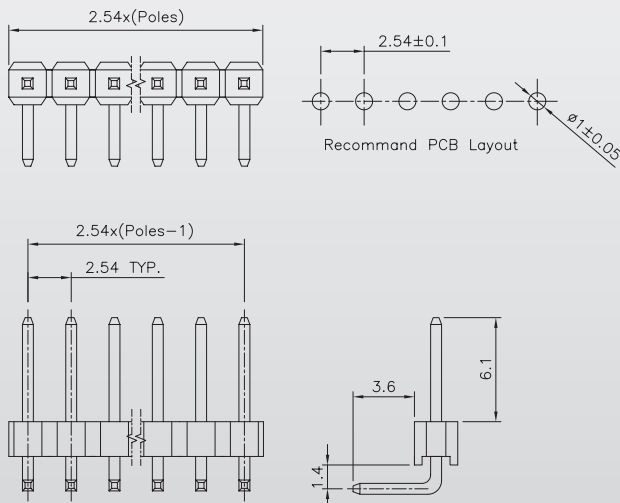
## Wafer - Straight Single Row JS-1109



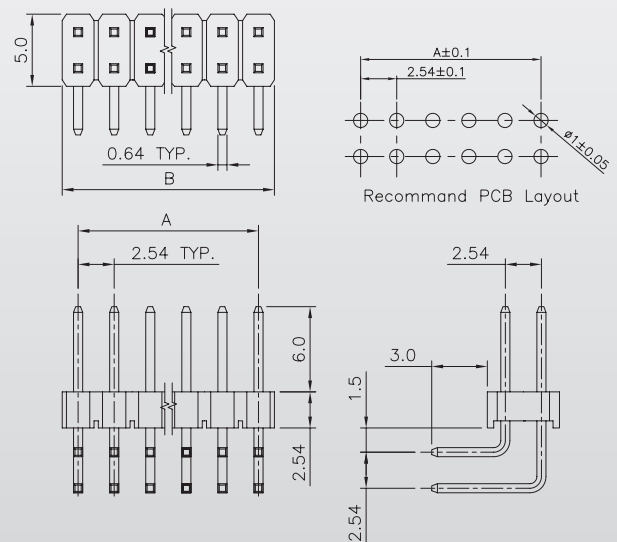
## Double Row JS-1106



## Wafer - Right Angle Single Row JS-1110



## Double Row JS-1107



A

# 2.54mm (.100") Center Mini Latch Connectors

Part No.				Dimensions (mm)	
JS-1106	JS-1107	JS-1109	JS-1110	A	B
JS-1106- 2x2	JS-1107- 2x2	JS-1109-02	JS-1110-02	2.54	5.08
JS-1106- 3x2	JS-1107- 3x2	JS-1109-03	JS-1110-03	5.08	7.62
JS-1106- 4x2	JS-1107- 4x2	JS-1109-04	JS-1110-04	7.62	10.16
JS-1106- 5x2	JS-1107- 5x2	JS-1109-05	JS-1110-05	10.16	12.70
JS-1106- 6x2	JS-1107- 6x2	JS-1109-06	JS-1110-06	12.70	15.24
JS-1106- 7x2	JS-1107- 7x2	JS-1109-07	JS-1110-07	15.24	17.78
JS-1106- 8x2	JS-1107- 8x2	JS-1109-08	JS-1110-08	17.78	20.32
JS-1106- 9x2	JS-1107- 9x2	JS-1109-09	JS-1110-09	20.32	22.86
JS-1106- 10x2	JS-1107- 10x2	JS-1109-10	JS-1110-10	22.86	25.40
JS-1106- 11x2	JS-1107- 11x2	JS-1109-11	JS-1110-11	25.40	27.94
JS-1106- 12x2	JS-1107- 12x2	JS-1109-12	JS-1110-12	27.94	30.48
JS-1106- 13x2	JS-1107- 13x2	JS-1109-13	JS-1110-13	30.48	33.02
JS-1106- 14x2	JS-1107- 14x2	JS-1109-14	JS-1110-14	33.02	35.56
JS-1106- 15x2	JS-1107- 15x2	JS-1109-15	JS-1110-15	35.56	38.10
JS-1106- 16x2	JS-1107- 16x2	JS-1109-16	JS-1110-16	38.10	40.64
JS-1106- 17x2	JS-1107- 17x2	JS-1109-17	JS-1110-17	40.64	43.18
JS-1106- 18x2	JS-1107- 18x2	JS-1109-18	JS-1110-18	43.18	45.72
JS-1106- 19x2	JS-1107- 19x2	JS-1109-19	JS-1110-19	45.72	48.26
JS-1106- 20x2	JS-1107- 20x2	JS-1109-20	JS-1110-20	48.26	50.80
JS-1106- 21x2	JS-1107- 21x2	JS-1109-21	JS-1110-21	50.80	53.34
JS-1106- 22x2	JS-1107- 22x2	JS-1109-22	JS-1110-22	53.34	55.88
JS-1106- 23x2	JS-1107- 23x2	JS-1109-23	JS-1110-23	55.88	58.42
JS-1106- 24x2	JS-1107- 24x2	JS-1109-24	JS-1110-24	58.42	60.96
JS-1106- 25x2	JS-1107- 25x2	JS-1109-25	JS-1110-25	60.96	63.50
JS-1106- 26x2	JS-1107- 26x2	JS-1109-26	JS-1110-26	63.50	66.04
JS-1106- 27x2	JS-1107- 27x2	JS-1109-27	JS-1110-27	66.04	68.58
JS-1106- 28x2	JS-1107- 28x2	JS-1109-28	JS-1110-28	68.58	71.12
JS-1106- 29x2	JS-1107- 29x2	JS-1109-29	JS-1110-29	71.12	73.66
JS-1106- 30x2	JS-1107- 30x2	JS-1109-30	JS-1110-30	73.66	76.20
JS-1106- 31x2	JS-1107- 31x2	JS-1109-31	JS-1110-31	76.20	78.74
JS-1106- 32x2	JS-1107-32x2	JS-1109-32	JS-1110-32	78.74	81.28
JS-1106- 33x2	JS-1107- 33x2	JS-1109-33	JS-1110-33	81.28	83.82
JS-1106- 34x2	JS-1107- 34x2	JS-1109-34	JS-1110-34	83.82	86.36
JS-1106- 35x2	JS-1107- 35x2	JS-1109-35	JS-1110-35	86.36	88.90
JS-1106- 36x2	JS-1107- 36x2	JS-1109-36	JS-1110-36	88.90	91.44
JS-1106- 37x2	JS-1107- 37x2	JS-1109-37	JS-1110-37	91.44	93.98
JS-1106- 38x2	JS-1107- 38x2	JS-1109-38	JS-1110-38	93.98	96.52
JS-1106- 39x2	JS-1107- 39x2	JS-1109-39	JS-1110-39	96.52	99.06
JS-1106- 40x2	JS-1107- 40x2	JS-1109-40	JS-1110-40	99.06	101.60

# 2.54mm (.100") Crimp Style Connectors

## Specifications

- Voltage Rating : 250V AC/DC
- Current Rating : 3A AC/DC
- Withstanding Voltage : 1,000V AC/minute
- Insulation Resistance : 1,000MΩ min.
- Temperature Range : -25°C to + 85°C
- Contact Resistance : 20mΩ max.

## Features:

### ■ HOUSING

Part No. : JS-1142

Poles : 2 - 12

Material : PBT UL94V-0

Q'ty : 1,000 pcs/Bag

### ■ WAFER

Part No. : JS-1143 (Straight)

JS-1143R (Right Angle)

Poles : 2 - 18

Material : Contact : Brass, Gold Plated

Base : PBT UL94V-0

Q'ty : 1,000 pcs/Bag

### ■ TERMINAL

Part No. : JS-1142-T, JS-1142-T(G)

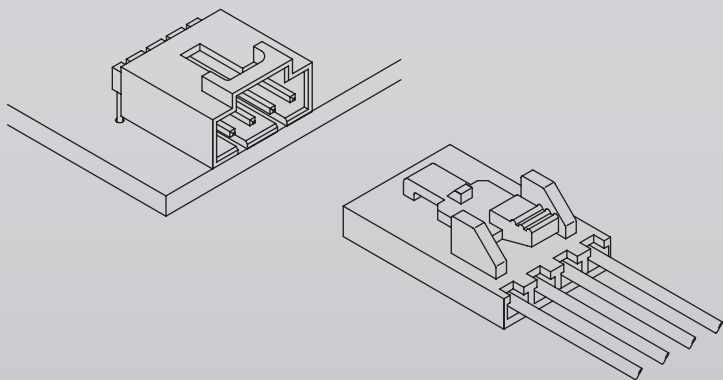
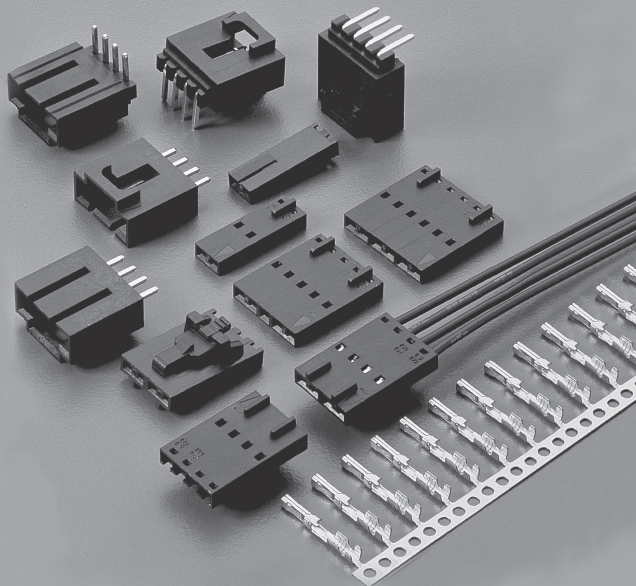
Applicable Wires : AWG# 22 - 30

Material : Phos. Bronze

Finish : Tin Plated, Gold Plated

Thickness : 0.2mm

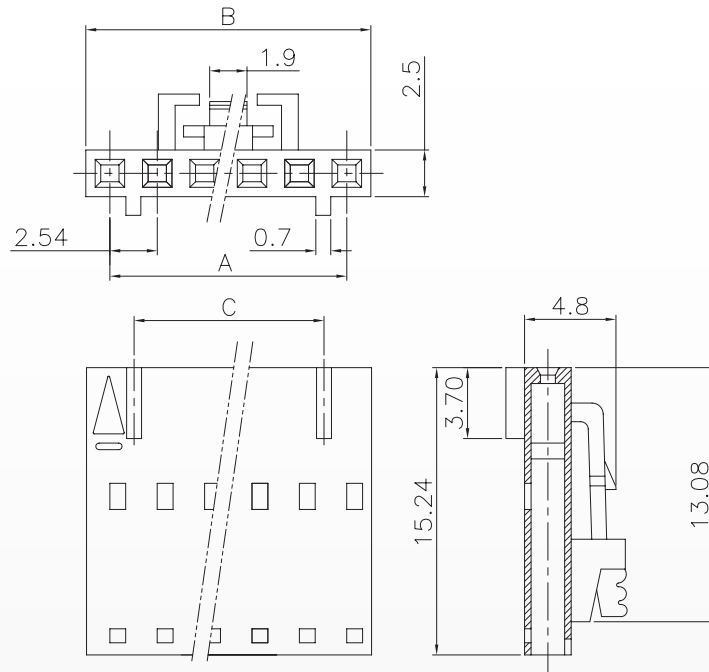
Q'ty : 15,000 pcs/Reel





# 2.54mm (.100") Crimp Style Connectors

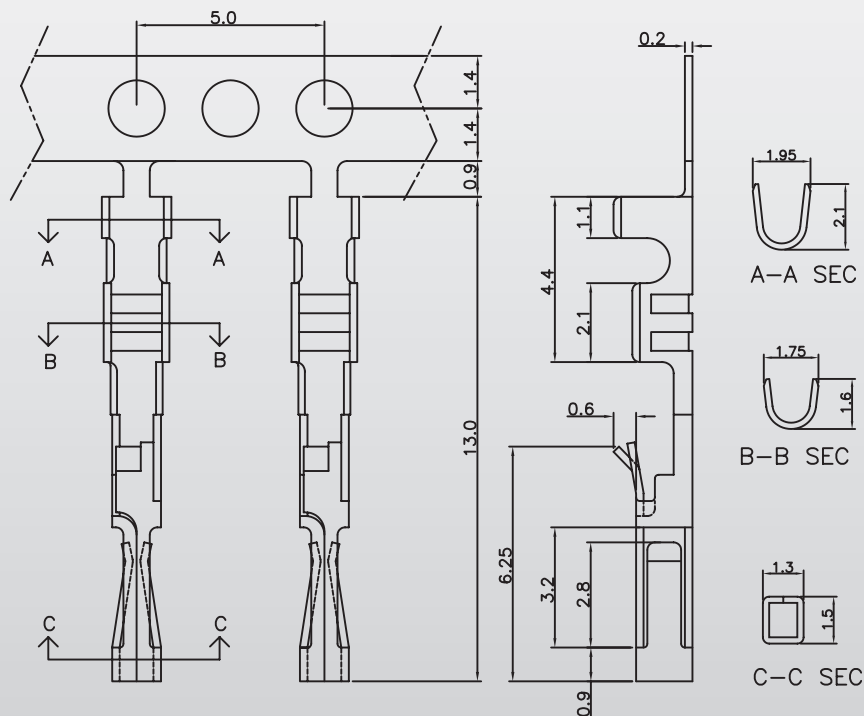
## Housing JS-1142



Poles	Part No.	Dimensions (mm)		
	JS-1142	A	B	C
2	JS-1142-02	2.54	5.08	-----
3	JS-1142-03	5.08	7.62	2.54
4	JS-1142-04	7.62	10.16	5.08
5	JS-1142-05	10.16	12.70	7.62
6	JS-1142-06	12.70	15.24	10.16
7	JS-1142-07	15.24	17.78	12.70

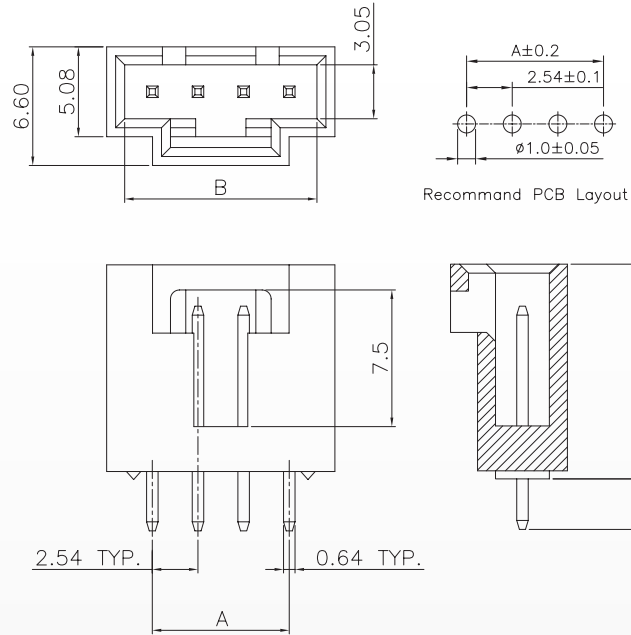
Poles	Part No.	Dimensions (mm)		
	JS-1142	A	B	C
8	JS-1142-08	17.78	20.32	15.24
9	JS-1142-09	20.32	22.86	17.78
10	JS-1142-10	22.86	25.40	20.32
11	JS-1142-11	25.40	27.94	22.86
12	JS-1142-12	27.94	30.48	25.40

## Terminal JS-1142-T



# 2.54mm (.100") Crimp Style Connectors

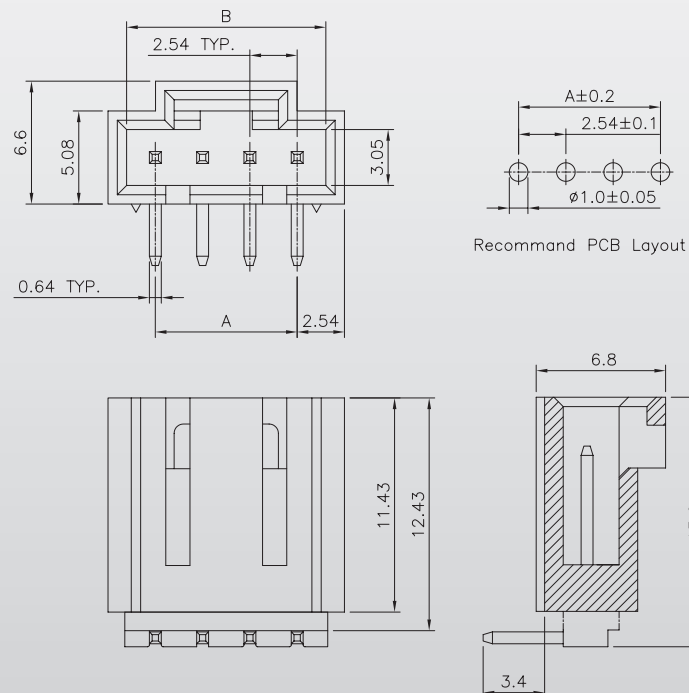
## Wafer - Straight JS-1143



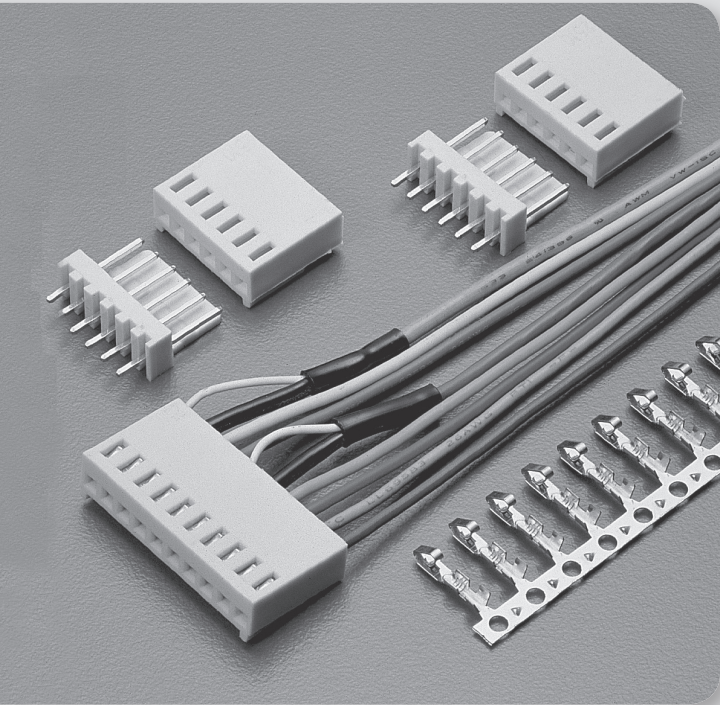
Poles	Part No.		Dimensions (mm)	
	JS-1143	JS-1143R	A	B
2	JS-1143-02	JS-1143R-02	2.54	5.59
3	JS-1143-03	JS-1143R-03	5.08	8.13
4	JS-1143-04	JS-1143R-04	7.62	10.67
5	JS-1143-05	JS-1143R-05	10.16	13.21
6	JS-1143-06	JS-1143R-06	12.70	15.75
7	JS-1143-07	JS-1143R-07	15.24	18.29
8	JS-1143-08	JS-1143R-08	17.78	20.83
9	JS-1143-09	JS-1143R-09	20.32	23.37
10	JS-1143-10	JS-1143R-10	22.86	25.91

Poles	Part No.		Dimensions (mm)	
	JS-1143	JS-1143R	A	B
11	JS-1143-11	JS-1143R-11	25.40	28.45
12	JS-1143-12	JS-1143R-12	27.94	30.99
13	JS-1143-13	JS-1143R-13	30.48	33.53
14	JS-1143-14	JS-1143R-14	33.02	36.07
15	JS-1143-15	JS-1143R-15	35.56	38.61
16	JS-1143-16	JS-1143R-16	38.1	41.15
17	JS-1143-17	JS-1143R-17	40.64	43.69
18	JS-1143-18	JS-1143R-18	43.18	46.23

## Wafer - Right Angle JS-1143R



# 2.54mm (.100") Crimp Style Connectors



## Specifications

- Voltage Rating : 250V AC/DC
- Current Rating : 3A AC/DC
- Withstanding Voltage : 1,000V AC/minute
- Insulation Resistance : 1,000M $\Omega$  min.
- Temperature Range : -25°C to + 85°C
- Contact Resistance : 20m $\Omega$  max.

## Features:

### ■ HOUSING

Part No. : JS-8001

Poles : 2 - 15

Material : Nylon 66 UL94V-2

Q'ty : 1,000 pcs/Bag

### ■ WAFER

Part No. : JS-6001 (Straight)

JS-7001 (Right Angle)

JS-7001-xx(L) (Left Angle)

Poles : 2 - 15

Material : Contact : Brass, Tin Plated

Base : Nylon 66 UL94V-2

Q'ty : 1,000 pcs/Bag

### ■ TERMINAL

Part No. : JS-8001-T, JS-8001-PBT

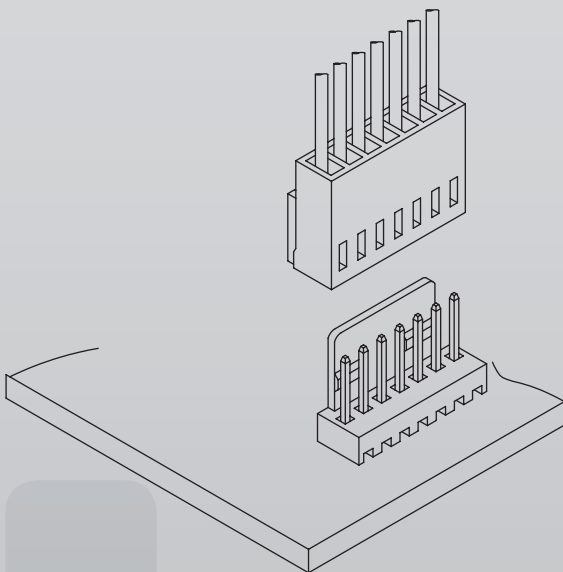
Applicable Wires : AWG# 22 - 28

Material : Brass, Phos. Bronze

Finish : Tin Plated

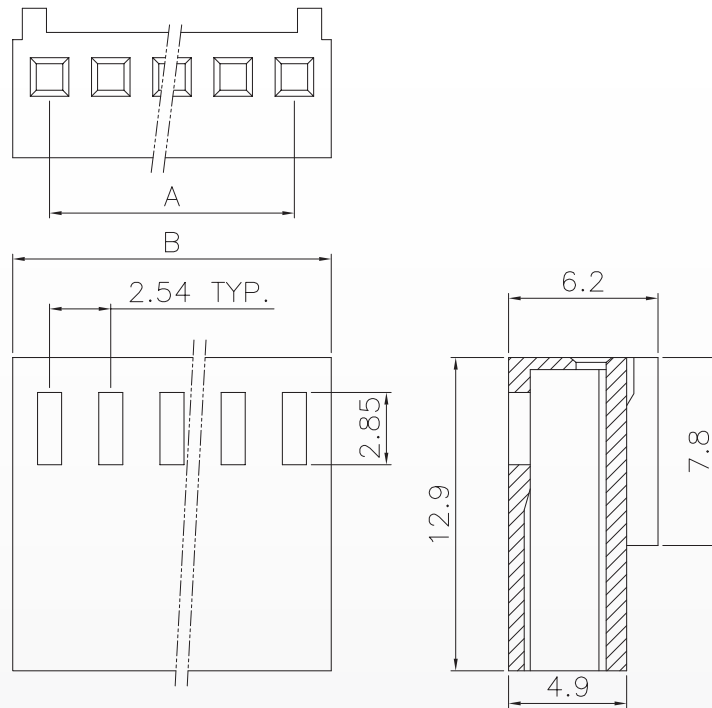
Thickness : 0.2mm

Q'ty : 10,000 pcs/Reel



# 2.54mm (.100") Crimp Style Connectors

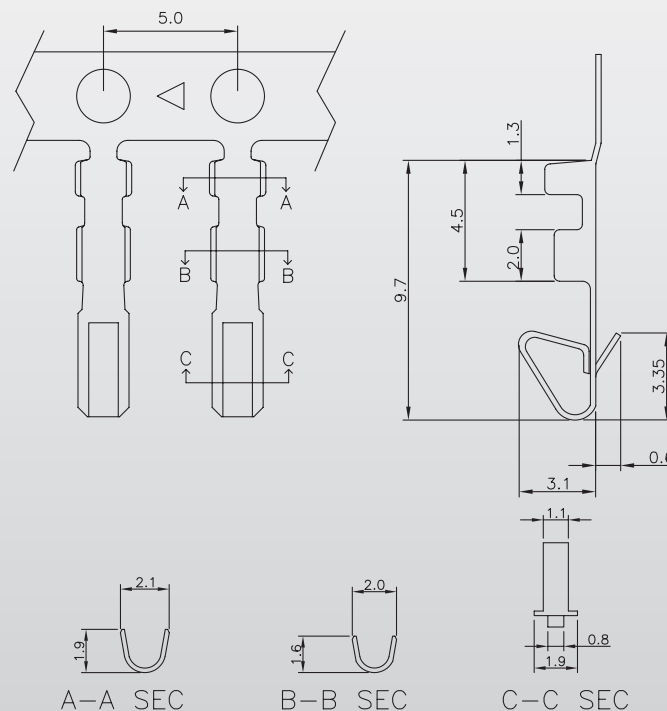
## Housing JS-8001



Poles	Part No.	Dimensions (mm)	
	JS-8001	A	B
2	JS-8001-02	2.54	5.60
3	JS-8001-03	5.08	8.14
4	JS-8001-04	7.62	10.68
5	JS-8001-05	10.16	13.22
6	JS-8001-06	12.70	15.76
7	JS-8001-07	15.24	18.30
8	JS-8001-08	17.78	20.84

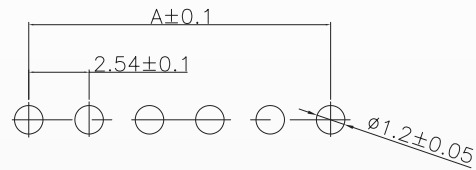
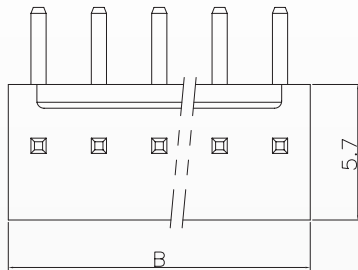
Poles	Part No.	Dimensions (mm)	
	JS-8001	A	B
9	JS-8001-09	20.32	23.38
10	JS-8001-10	22.86	25.92
11	JS-8001-11	25.40	28.46
12	JS-8001-12	27.94	31.00
13	JS-8001-13	30.48	33.54
14	JS-8001-14	33.02	36.08
15	JS-8001-15	35.56	38.62

## Terminal JS-8001-T

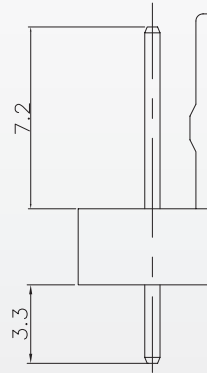
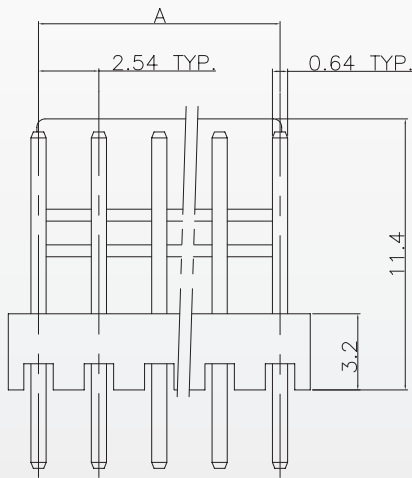


# 2.54mm (.100") Crimp Style Connectors

## Wafer - Straight JS-6001



Recommant PCB Layout

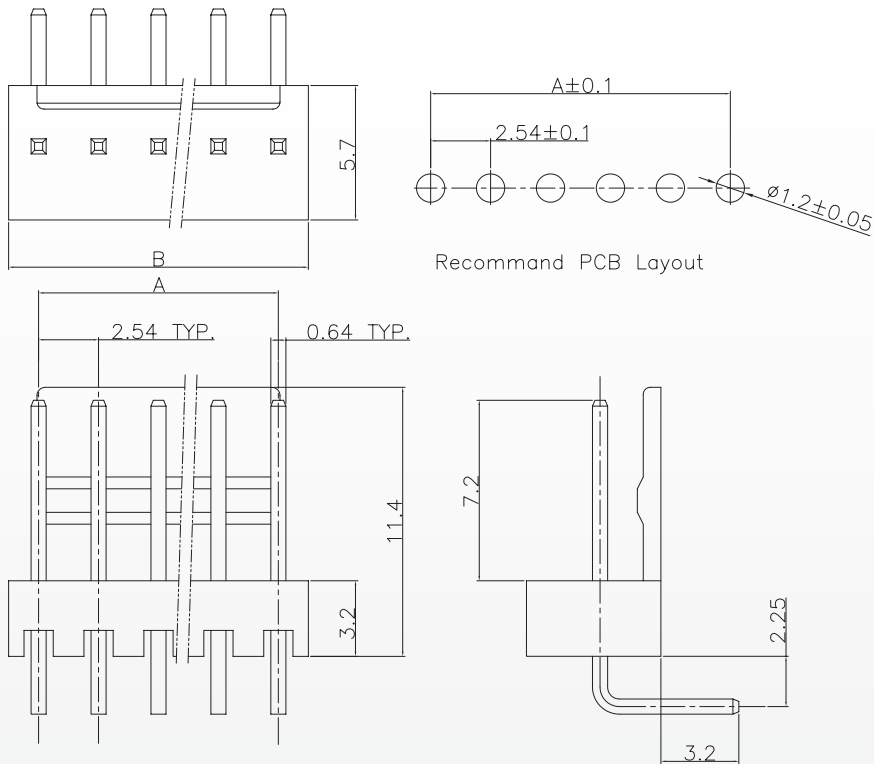


Poles	Part No.			Dimensions (mm)	
	JS-6001	JS-7001	JS-7001-xx(L)	A	B
2	JS-6001-02	JS-7001-02	JS-7001-02(L)	2.54	5.08
3	JS-6001-03	JS-7001-03	JS-7001-03(L)	5.08	7.62
4	JS-6001-04	JS-7001-04	JS-7001-04(L)	7.62	10.16
5	JS-6001-05	JS-7001-05	JS-7001-05(L)	10.16	12.70
6	JS-6001-06	JS-7001-06	JS-7001-06(L)	12.70	15.24
7	JS-6001-07	JS-7001-07	JS-7001-07(L)	15.24	17.78
8	JS-6001-08	JS-7001-08	JS-7001-08(L)	17.78	20.32
9	JS-6001-09	JS-7001-09	JS-7001-09(L)	20.32	22.86
10	JS-6001-10	JS-7001-10	JS-7001-10(L)	22.86	25.40
11	JS-6001-11	JS-7001-11	JS-7001-11(L)	25.40	27.94
12	JS-6001-12	JS-7001-12	JS-7001-12(L)	27.94	30.48
13	JS-6001-13	JS-7001-13	JS-7001-13(L)	30.48	33.02
14	JS-6001-14	JS-7001-14	JS-7001-14(L)	33.02	35.56
15	JS-6001-15	JS-7001-15	JS-7001-15(L)	35.56	38.10

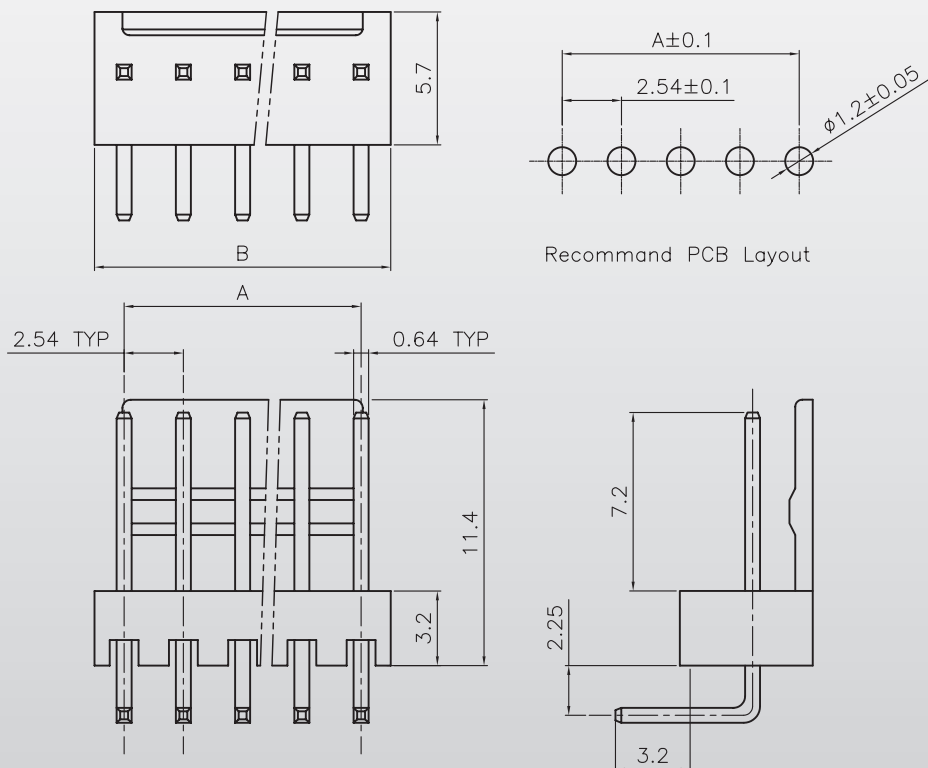


# 2.54mm (.100") Crimp Style Connectors

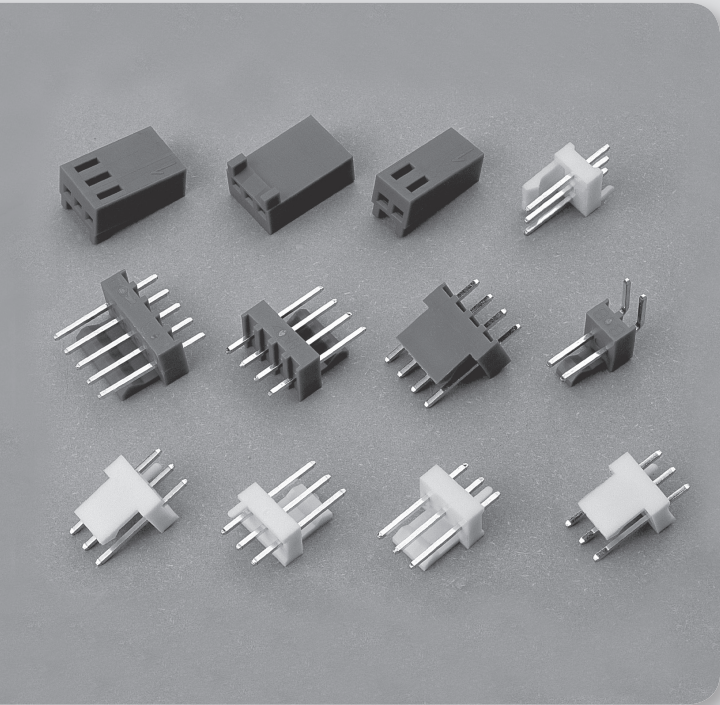
## Wafer - Right Angle JS-7001



## Wafer - Left Angle JS-7001-xx (L)



# 2.54mm (.100") Crimp Style Connectors



## Specifications

- Voltage Rating : 250V AC/DC
- Current Rating : 3A AC/DC
- Withstanding Voltage : 1,000V AC/minute
- Insulation Resistance : 1,000M $\Omega$  min.
- Temperature Range : -25°C to + 85°C
- Contact Resistance : 20m $\Omega$  max.

## Features:

### ■ HOUSING

Part No. : JS-8254

Poles : 2 - 12

Material : Nylon 66 UL94V-2

Q'ty : 1,000 pcs/Bag

### ■ WAFER

Part No. : JS-6254, JS-6255 (Straight, with Peg)

JS-7254-xx(L) (Left Angle)

Poles : 2 - 12, 03

Material : Contact : Brass, Tin Plated

Base : Nylon 66 UL94V-2

Q'ty : 1,000 pcs/Bag

### ■ TERMINAL

Part No. : JS-8001-T, JS-8001-PBT

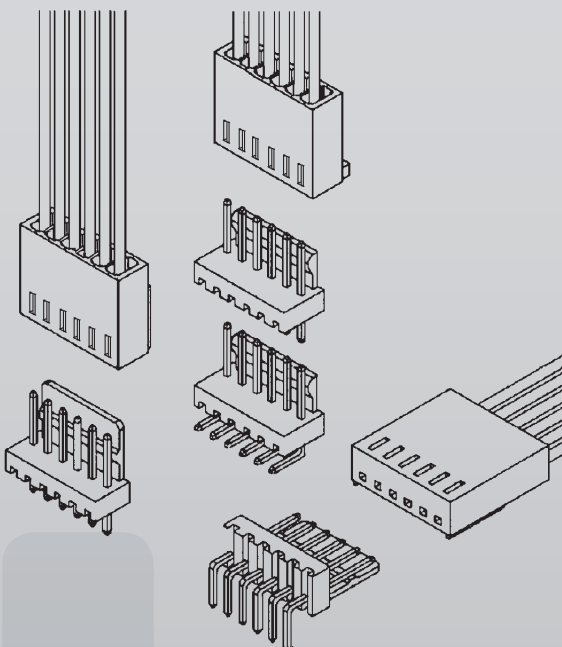
Applicable Wires : AWG# 22 - 28

Material : Brass, Phos. Bronze

Finish : Tin Plated

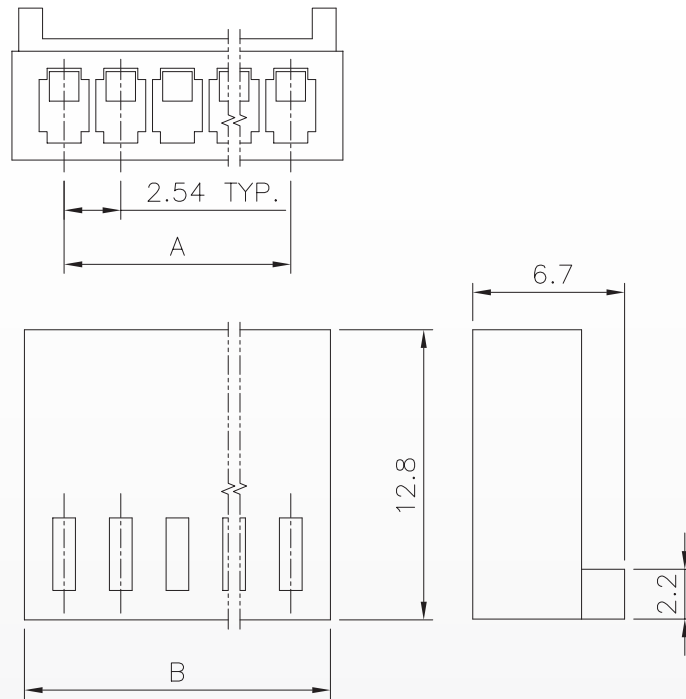
Thickness : 0.2mm

Q'ty : 10,000 pcs/Reel



# 2.54mm (.100") Crimp Style Connectors

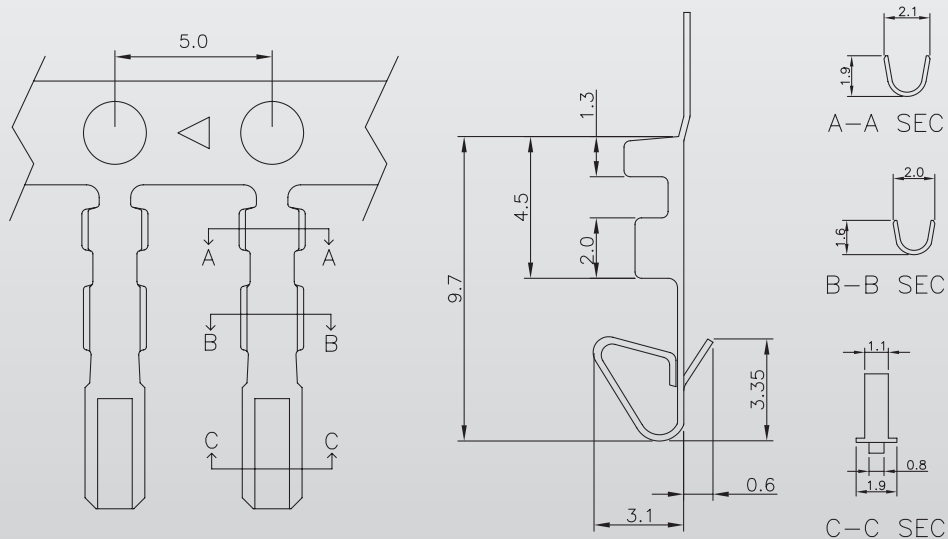
## Housing JS-8254



Poles	Part No.	Dimensions (mm)	
	JS-8254	A	B
2	JS-8254-02	2.54	5.08
3	JS-8254-03	5.08	7.62
4	JS-8254-04	7.62	10.16
5	JS-8254-05	10.16	12.70
6	JS-8254-06	12.70	15.24
7	JS-8254-07	15.24	17.78

Poles	Part No.	Dimensions (mm)	
	JS-8254	A	B
8	JS-8254-08	17.78	20.32
9	JS-8254-09	20.32	23.86
10	JS-8254-10	22.86	25.40
11	JS-8254-11	25.40	27.94
12	JS-8254-12	27.94	30.48

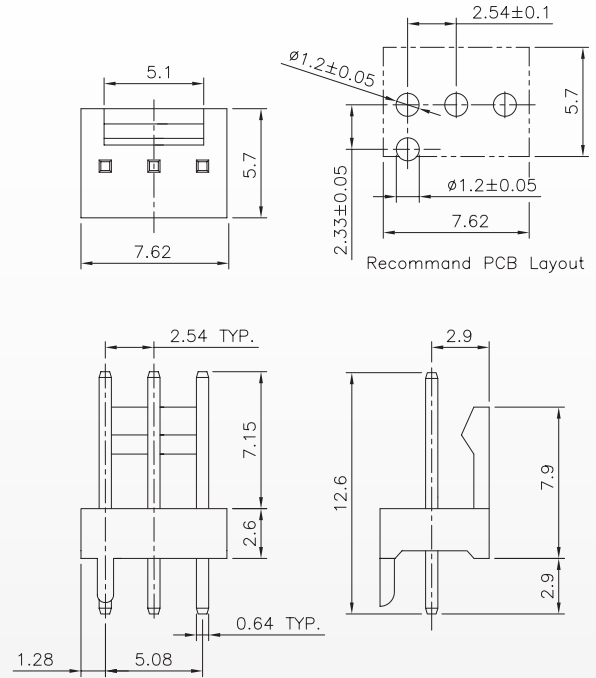
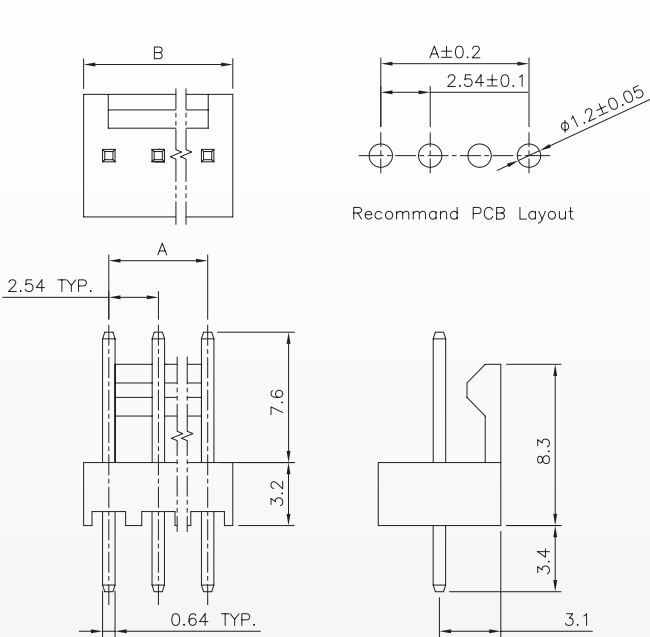
## Terminal JS-8001-T



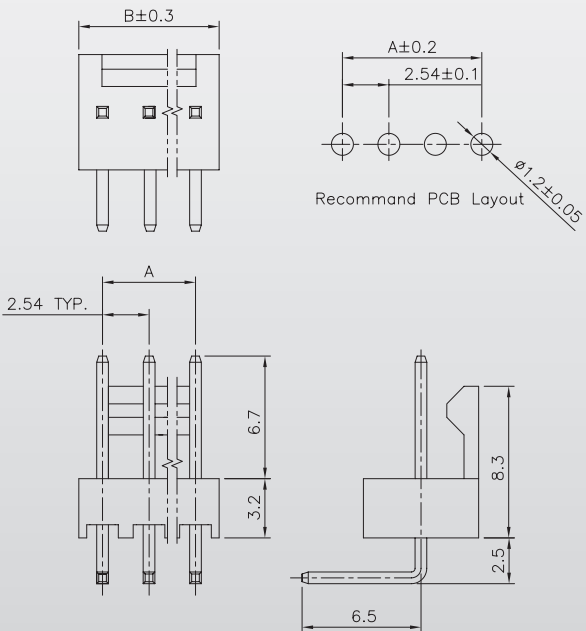
# 2.54mm (.100") Crimp Style Connectors

## Wafer - Straight JS-6254

## Wafer - Straight JS-6255-03 (With Peg)



## Wafer - Left Angle JS-7254-xx(L)



Poles	Part No.			Dimensions (mm)	
	JS-6254	JS-6255	JS-7254-xx(L)	A	B
2	JS-6254-02	-----	JS-7254-02(L)	2.54	5.08
3	JS-6254-03	JS-6255-03	JS-7254-03(L)	5.08	7.62
4	JS-6254-04	-----	JS-7254-04(L)	7.62	10.16
5	JS-6254-05	-----	JS-7254-05(L)	10.16	12.70
6	JS-6254-06	-----	JS-7254-06(L)	12.70	15.24
7	JS-6254-07	-----	JS-7254-07(L)	15.24	17.78
8	JS-6254-08	-----	JS-7254-08(L)	17.78	20.32
9	JS-6254-09	-----	JS-7254-09(L)	20.32	22.86
10	JS-6254-10	-----	JS-7254-10(L)	22.86	25.40
11	JS-6254-11	-----	JS-7254-11(L)	25.40	27.94
12	JS-6254-12	-----	JS-7254-12(L)	27.94	30.48

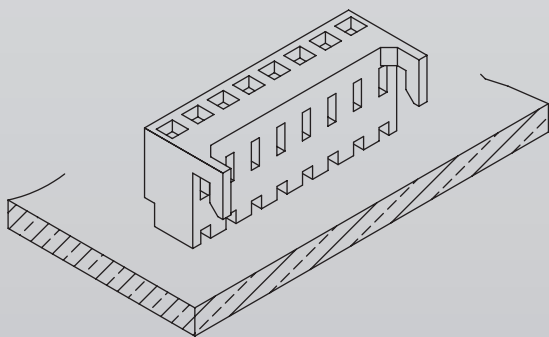
# 2.54mm (.100") P C B Headers

## Specifications

- Voltage Rating : 250V AC/DC
- Current Rating : 2.5A AC/DC
- Withstanding Voltage : 1,000V AC/minute
- Insulation Resistance : 1,000m $\Omega$  max.
- Temperature Range : -40°C to + 105°C
- Contact Resistance : 20m $\Omega$  max.

## Features:

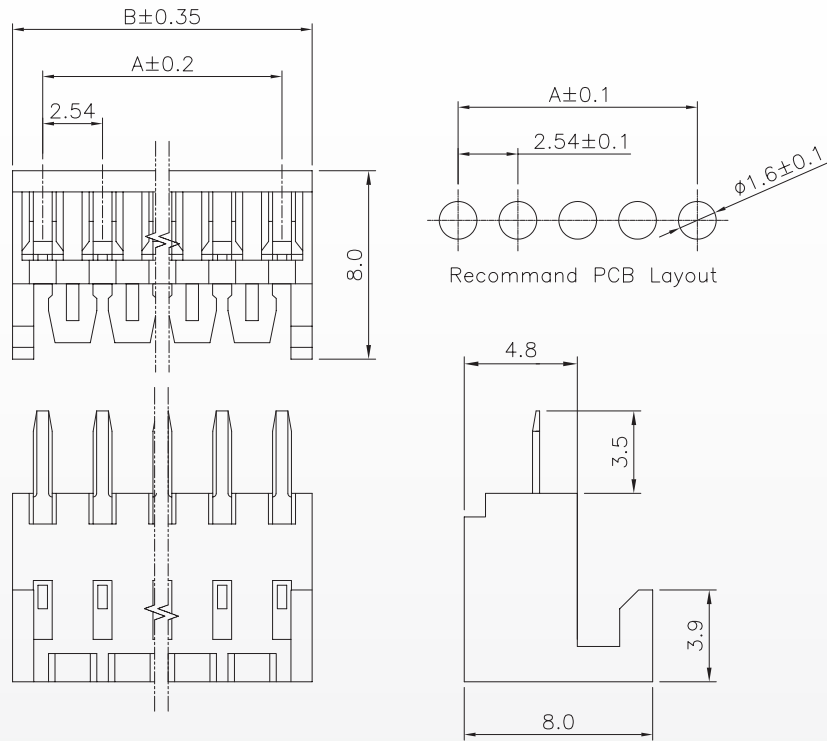
- WAFER
  - Part No. : JS-5005A-xxS (Top Entry Type)
  - JS-5005A-xxR (Side Entry Type)
  - JS-5006A-xxDR (Bottom Entry Type)
- Poles : 2 - 30
- Material : Contact : Brass, Tin plated
- Base : Nylon 66 UL94V-2
- Q'ty : 1,000 pcs/PVC Box



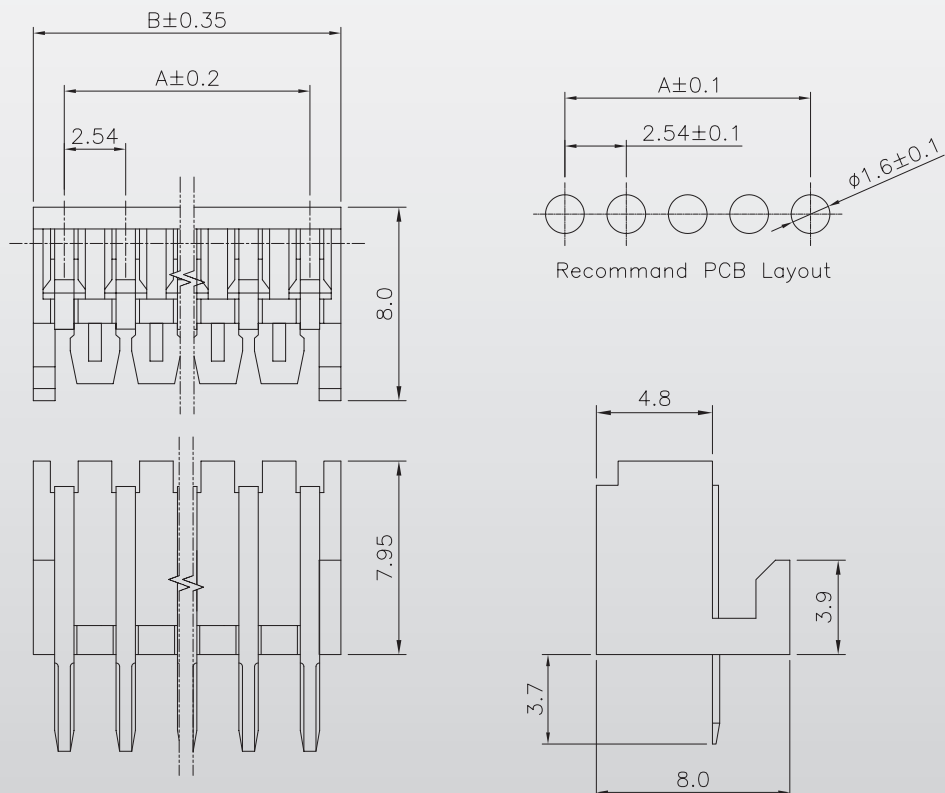


# 2.54mm (.100") P C B Headers

## Wafer - Top Entry Type JS-5005A-xxS



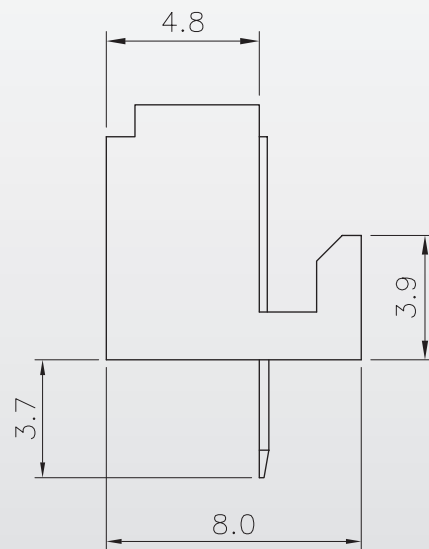
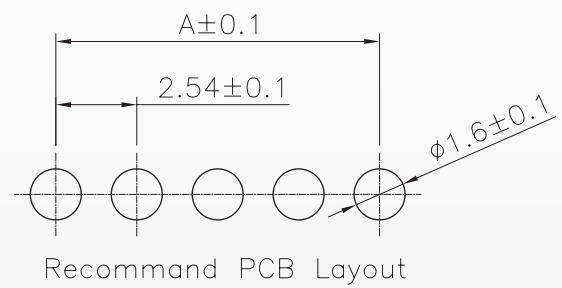
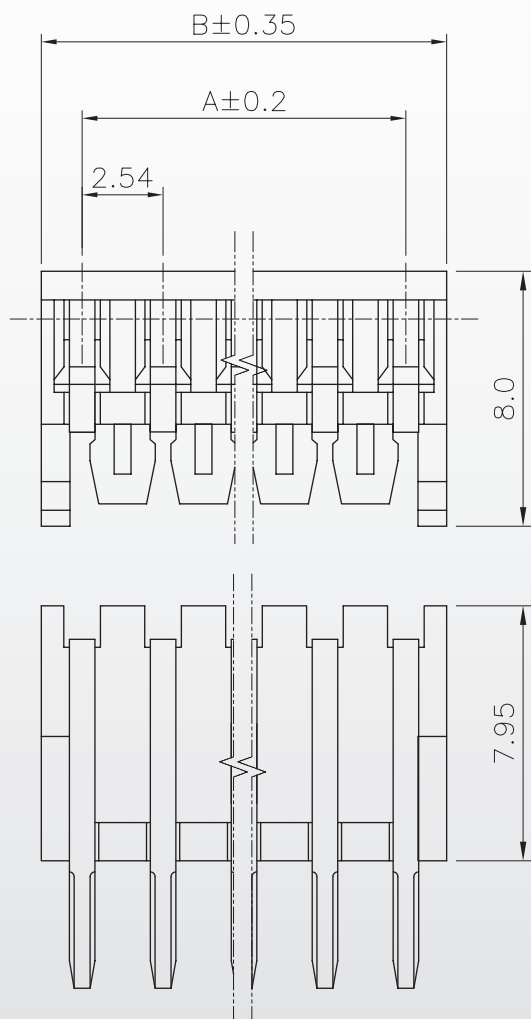
## Wafer - Side Entry Type JS-5005A-xxR



# 2.54mm (.100") P C B Headers

## Wafer - Bottom Entry Type JS-5006A-xxDR

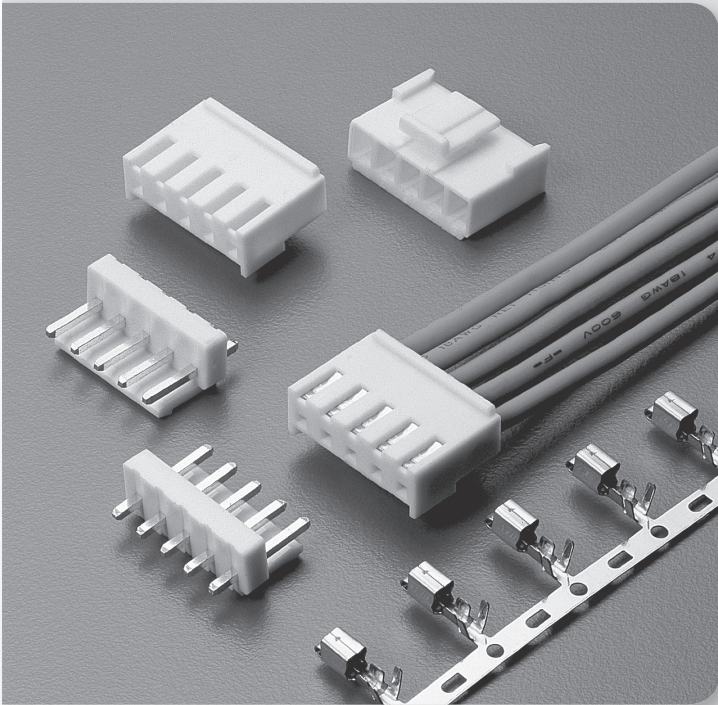
A



# 2.54mm (.100") P C B Headers

Poles	Part No.			Dimensions (mm)	
	JS-5005A-xxS	JS-5005A-xxR	JS-5006A-xxDR	A	B
2	JS-5005A-02S	JS-5005A-02R	JS-5006A-02DR	2.54	5.10
3	JS-5005A-03S	JS-5005A-03R	JS-5006A-03DR	5.08	7.64
4	JS-5005A-04S	JS-5005A-04R	JS-5006A-04DR	7.62	10.18
5	JS-5005A-05S	JS-5005A-05R	JS-5006A-05DR	10.16	12.72
6	JS-5005A-06S	JS-5005A-06R	JS-5006A-06DR	12.70	15.26
7	JS-5005A-07S	JS-5005A-07R	JS-5006A-07DR	15.24	17.80
8	JS-5005A-08S	JS-5005A-08R	JS-5006A-08DR	17.78	20.34
9	JS-5005A-09S	JS-5005A-09R	JS-5006A-09DR	20.32	22.88
10	JS-5005A-10S	JS-5005A-10R	JS-5006A-10DR	22.86	25.42
11	JS-5005A-11S	JS-5005A-11R	JS-5006A-11DR	25.40	27.96
12	JS-5005A-12S	JS-5005A-12R	JS-5006A-12DR	27.94	30.50
13	JS-5005A-13S	JS-5005A-13R	JS-5006A-13DR	30.48	33.04
14	JS-5005A-14S	JS-5005A-14R	JS-5006A-14DR	33.02	35.58
15	JS-5005A-15S	JS-5005A-15R	JS-5006A-15DR	35.56	38.12
16	JS-5005A-16S	JS-5005A-16R	JS-5006A-16DR	38.10	40.66
17	JS-5005A-17S	JS-5005A-17R	JS-5006A-17DR	40.64	43.20
18	JS-5005A-18S	JS-5005A-18R	JS-5006A-18DR	43.18	45.74
19	JS-5005A-19S	JS-5005A-19R	JS-5006A-19DR	45.72	48.28
20	JS-5005A-20S	JS-5005A-20R	JS-5006A-20DR	48.26	50.82
21	JS-5005A-21S	JS-5005A-21R	JS-5006A-21DR	50.80	53.36
22	JS-5005A-22S	JS-5005A-22R	JS-5006A-22DR	53.34	55.90
23	JS-5005A-23S	JS-5005A-23R	JS-5006A-23DR	55.88	58.44
24	JS-5005A-24S	JS-5005A-24R	JS-5006A-24DR	58.42	60.98
25	JS-5005A-25S	JS-5005A-25R	JS-5006A-25DR	60.96	63.52
26	JS-5005A-26S	JS-5005A-26R	JS-5006A-26DR	63.50	66.06
27	JS-5005A-27S	JS-5005A-27R	JS-5006A-27DR	66.04	68.60
28	JS-5005A-28S	JS-5005A-28R	JS-5006A-28DR	68.58	71.14
29	JS-5005A-29S	JS-5005A-29R	JS-5006A-29DR	71.12	73.68
30	JS-5005A-30S	JS-5005A-30R	JS-5006A-30DR	73.66	76.22

# 3.96mm (.156") Crimp Style Connectors

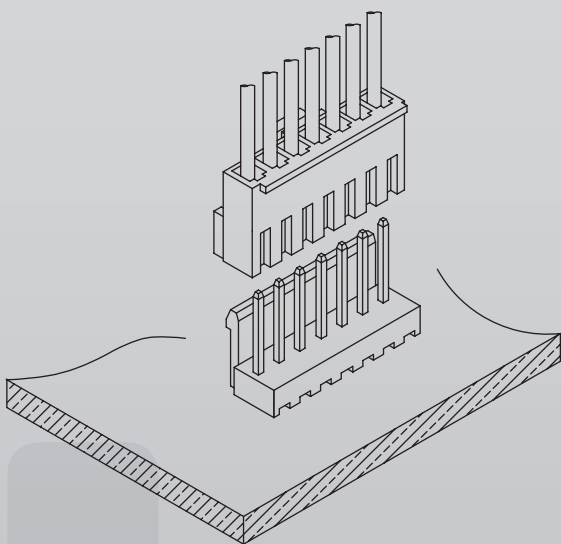


## Specifications

- Voltage Rating : 250V AC/DC
- Current Rating : 7A AC/DC
- Withstanding Voltage : 1,500V AC/minute
- Insulation Resistance : 1,000MΩ min.
- Temperature Range : -25°C to + 85°C
- Contact Resistance : 20mΩ max.

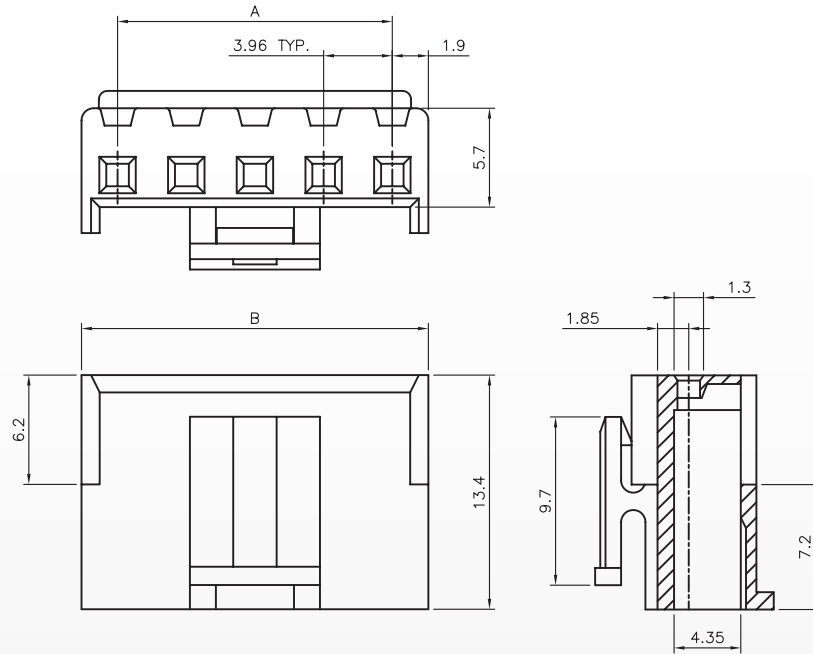
## Features:

- HOUSING  
Part No. : JS-1121  
Poles : 2 - 15  
Material : Nylon 66 UL94V-0  
Q'ty : 1,000 pcs/Bag
- WAFER  
Part No. : JS-1120 (Straight)  
JS-1120R (Right Angle)  
Poles : 2 - 15  
Material : Contact : Brass, Tin Plated  
Base : Nylon 66 UL94V-0  
Q'ty : 1,000 pcs/Bag
- TERMINAL  
Part No. : JS-1121-T  
Applicable Wires : AWG# 18 - 22  
Material : Brass  
Finish : Tin Plated  
Thickness : 0.25mm  
Q'ty : 4,000 pcs/Reel



# 3.96mm (.156") Crimp Style Connectors

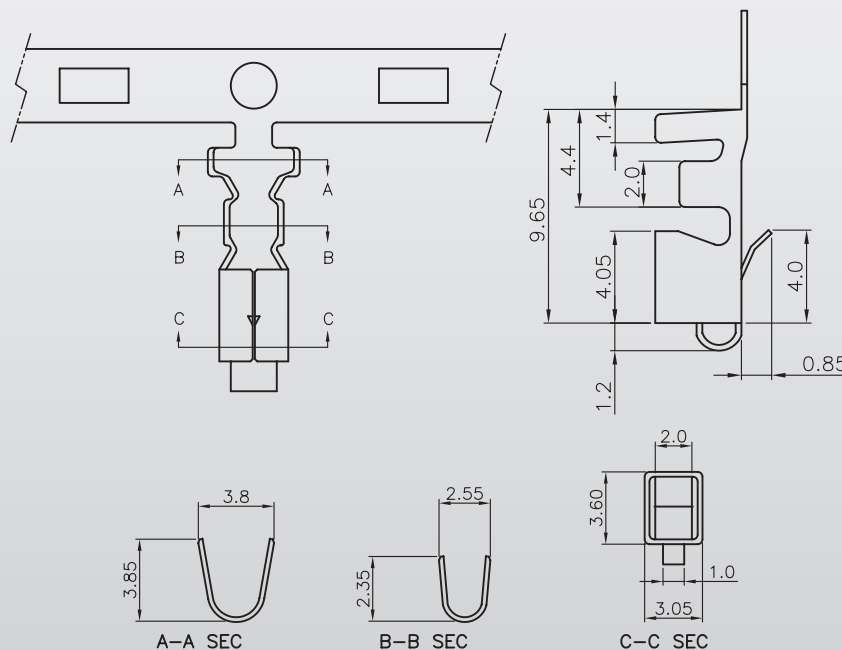
## Housing JS-1121



Poles	Part No.	Dimensions (mm)	
	JS-1121	A	B
2	JS-1121-02	3.96	7.90
3	JS-1121-03	7.92	11.90
4	JS-1121-04	11.88	15.90
5	JS-1121-05	15.84	19.90
6	JS-1121-06	19.80	23.90
7	JS-1121-07	23.76	27.90
8	JS-1121-08	27.72	31.90

Poles	Part No.	Dimensions (mm)	
	JS-1121	A	B
9	JS-1121-09	31.68	35.90
10	JS-1121-10	35.64	39.90
11	JS-1121-11	39.60	43.90
12	JS-1121-12	43.56	47.90
13	JS-1121-13	47.52	51.90
14	JS-1121-14	51.48	55.90
15	JS-1121-15	55.44	59.90

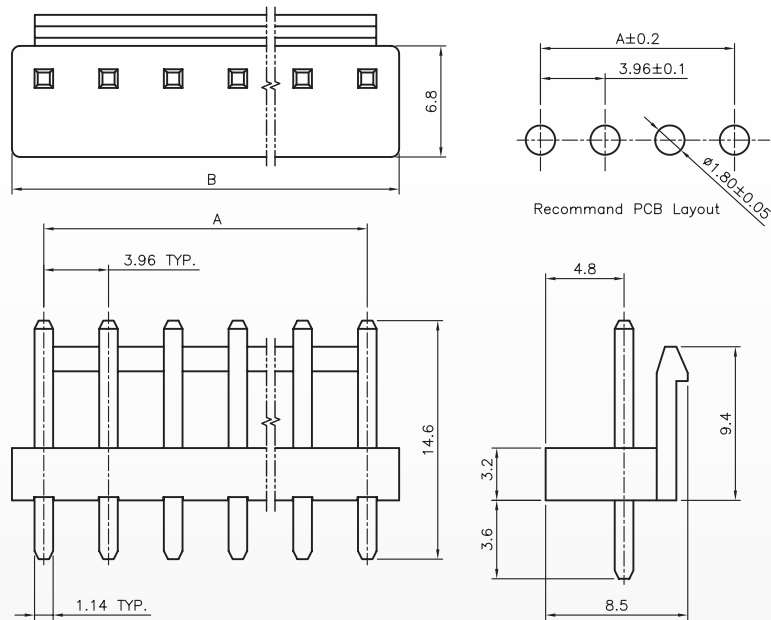
## Terminal JS-1121-T





# 3.96mm (.156") Crimp Style Connectors

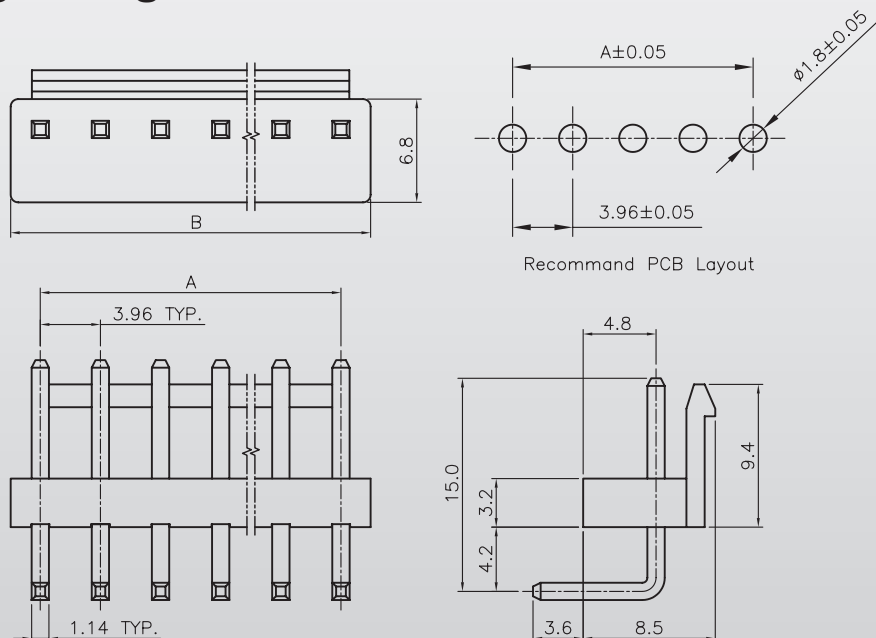
## Wafer - Straight JS-1120



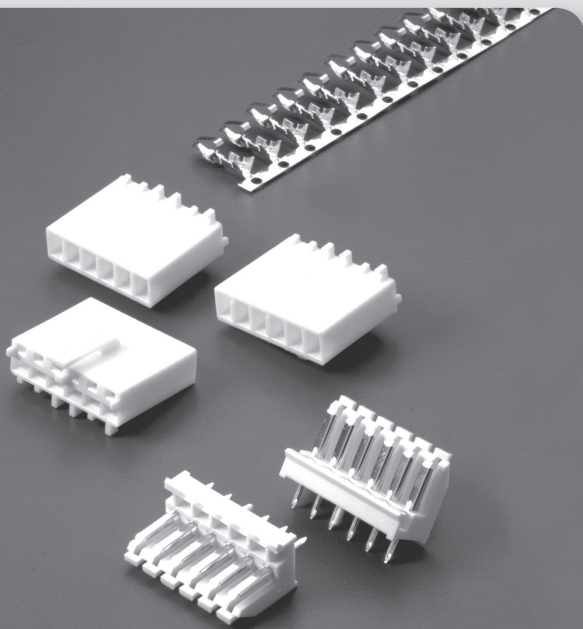
Poles	Part No.		Dimensions (mm)	
	JS-1120	JS-1120R	A	B
2	JS-1120-02	JS-1120R-02	3.96	7.86
3	JS-1120-03	JS-1120R-03	7.92	11.82
4	JS-1120-04	JS-1120R-04	11.88	15.78
5	JS-1120-05	JS-1120R-05	15.84	19.74
6	JS-1120-06	JS-1120R-06	19.80	23.70
7	JS-1120-07	JS-1120R-07	23.76	27.66
8	JS-1120-08	JS-1120R-08	27.72	31.62

Poles	Part No.		Dimensions (mm)	
	JS-1120	JS-1120R	A	B
9	JS-1120-09	JS-1120R-09	31.68	35.58
10	JS-1120-10	JS-1120R-10	35.64	39.54
11	JS-1120-11	JS-1120R-11	39.60	43.50
12	JS-1120-12	JS-1120R-12	43.56	47.46
13	JS-1120-13	JS-1120R-13	47.52	51.42
14	JS-1120-14	JS-1120R-14	51.48	55.38
15	JS-1120-15	JS-1120R-15	55.44	59.34

## Wafer - Right Angle JS-1120R



# 3.96mm (.156") Crimp Style Connectors



## Specifications

- Voltage Rating : 250V AC/DC
- Current Rating : 7A AC/DC
- Withstanding Voltage : 1,500V AC/minute
- Insulation Resistance : 1,000MΩ min.
- Temperature Range : -25°C to + 105°C
- Contact Resistance : 20mΩ max.

## Features:

### ■ HOUSING

Part No. : JS-1138

Poles : 6

Material : Nylon 66 UL94V-0 or UL94V-2

Q,ty : 1,000 pcs/Bag

### ■ WAFER

Part No. : JS-1139-XX

JS-1139-XXWO/P (Without Peg)

Poles : 6, 12

Material : Contact : Brass, Tin Plated

Base : Nylon 66 UL94V-2

Q'ty : 1,000 pcs/Bag

### ■ TERMINAL

Part No. : JS-5001-T

JS-5001-TA (3 Contacts)

Applicable Wires : AWG# 18 - 24

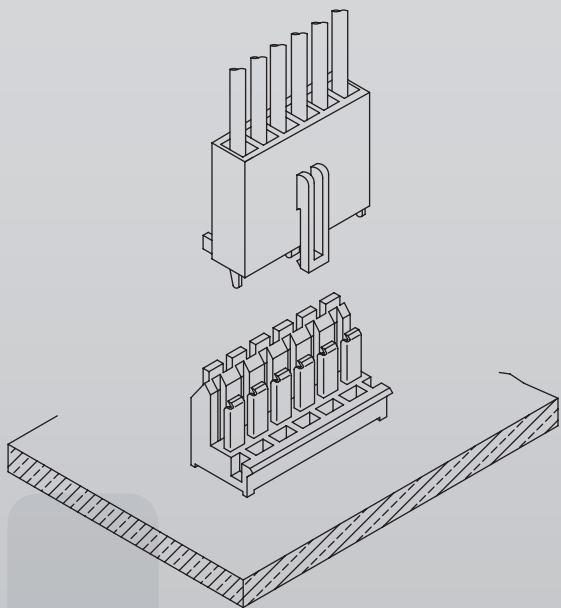
Material : Brass

Finish : Tin Plated

Thickness : 0.25mm

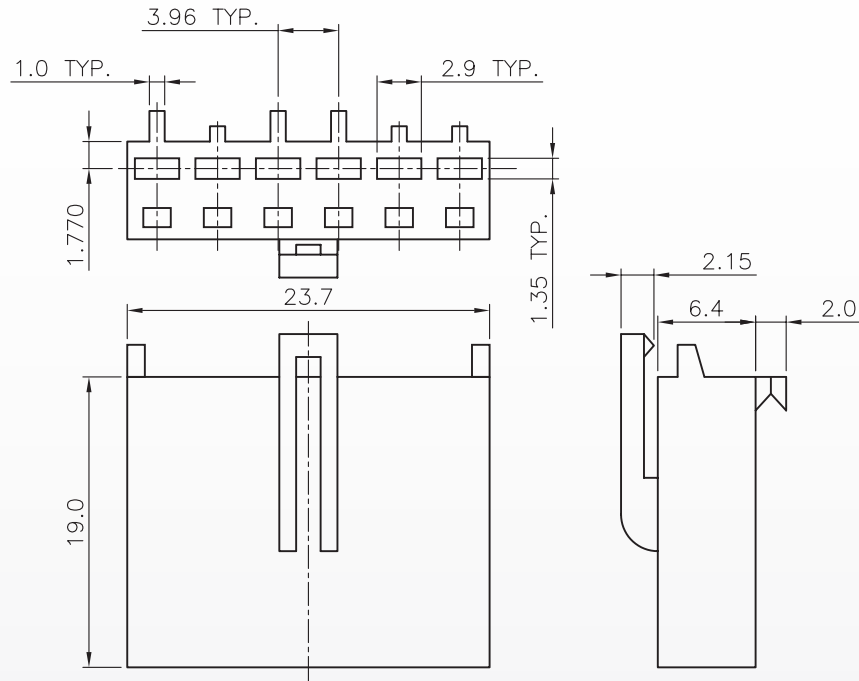
Q'ty : 6,000 pcs./Reel JS-5001-T

7,000 pcs./Reel JS-5001-TA

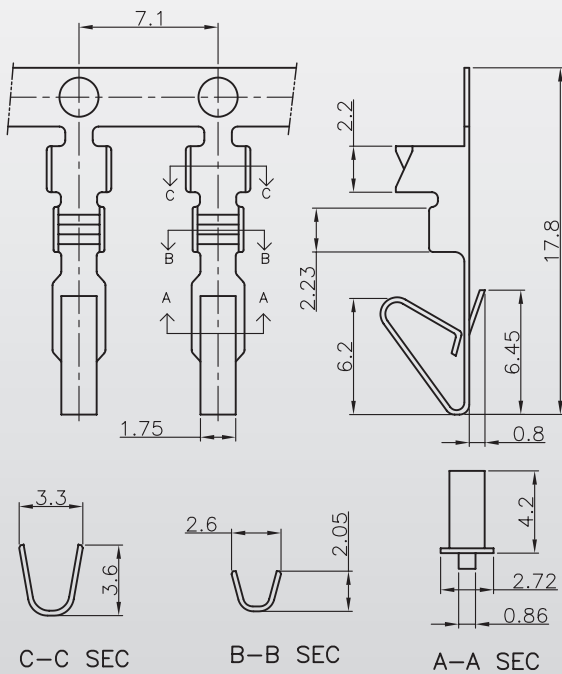


# 3.96mm (.156") Crimp Style Connectors

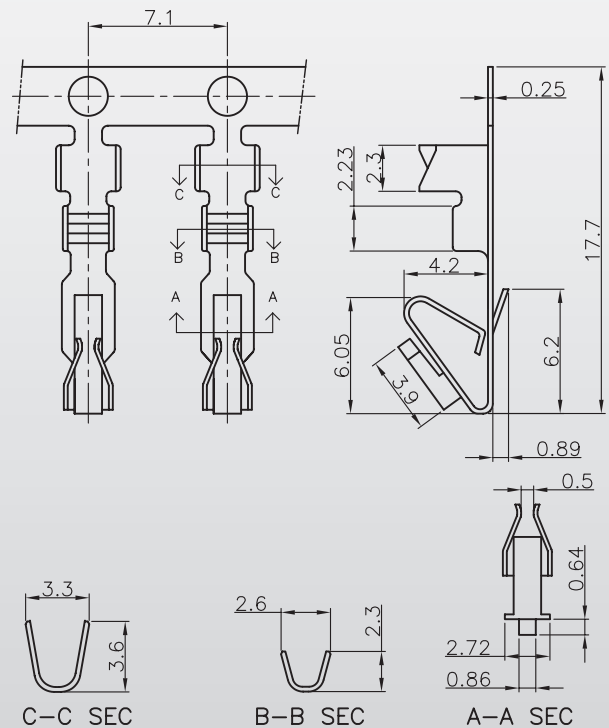
## Housing JS-1138-06



## Terminal JS-5001-T

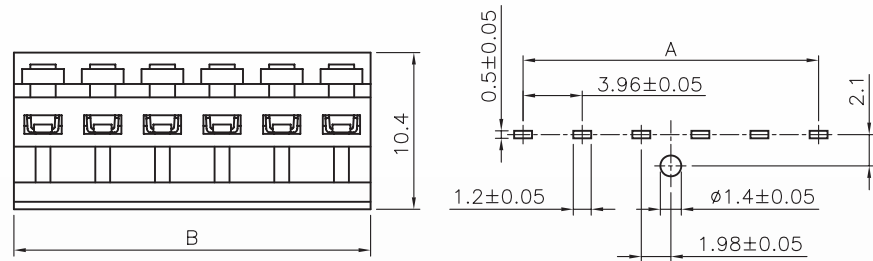


## Terminal < 3-Point Contact > JS-5001-TA

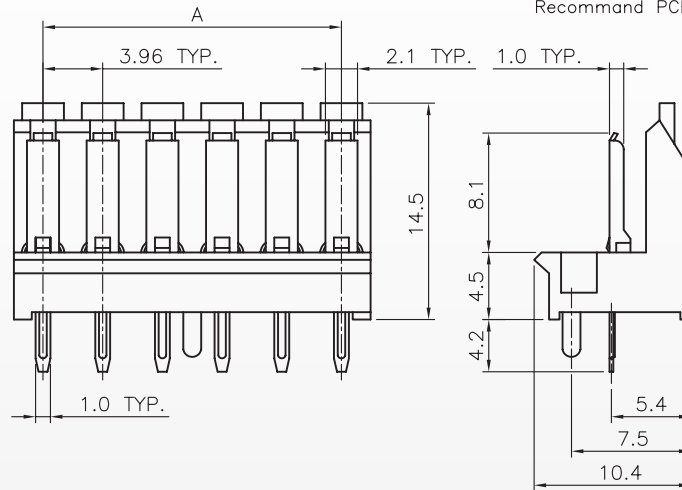


# 3.96mm (.156") Crimp Style Connectors

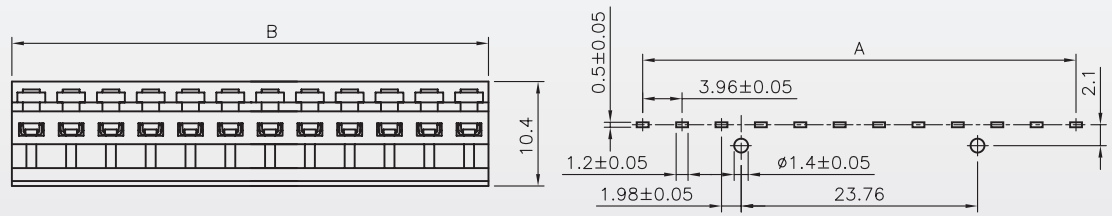
## Wafer JS-1139-06



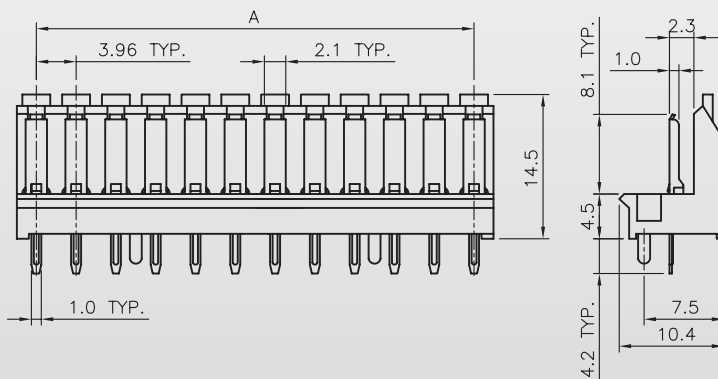
Recommant PCB Layout



## Wafer JS-1139-12



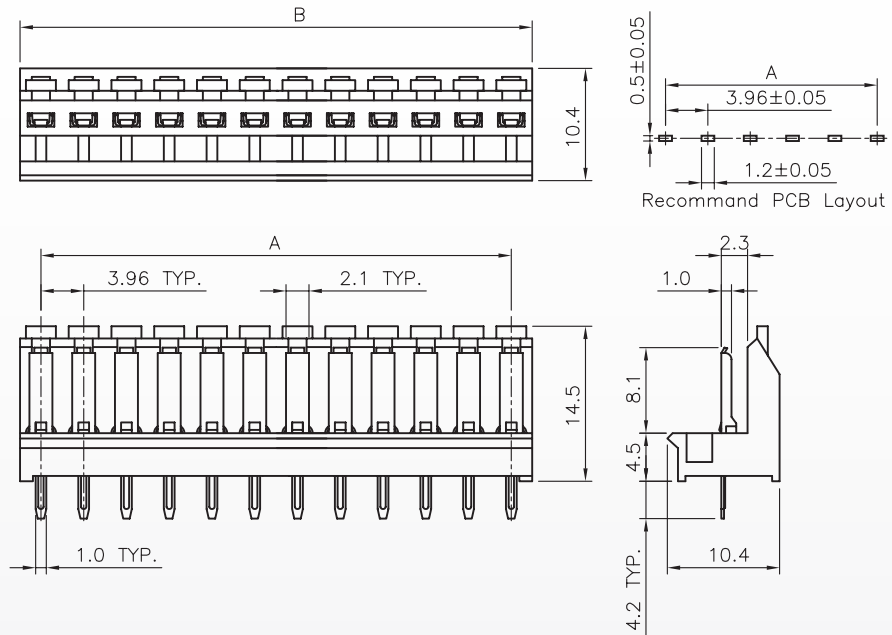
Recommant PCB Layout



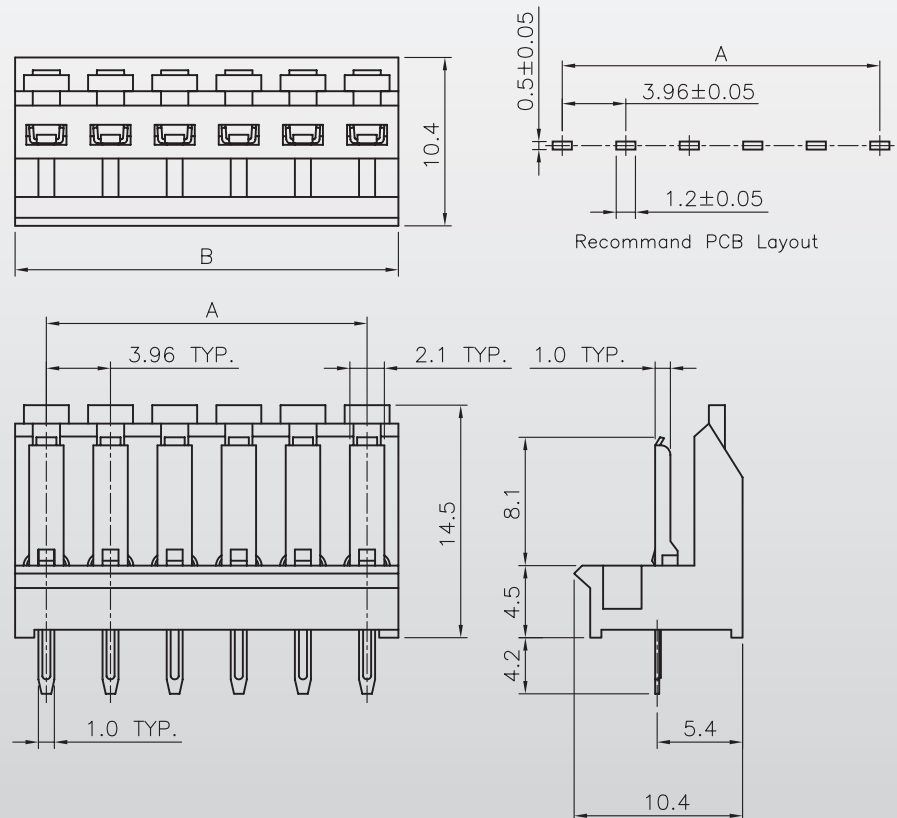
Poles	Part No.		Dimensions (mm)	
	JS-1139	JS-1139xx W0/P	A	B
6	JS-1139-06	JS-1139-06 W0/P	23.80	19.80
12	JS-1139-12	JS-1139-12 W0/P	47.50	43.56

# 3.96mm (.156") Crimp Style Connectors

## Wafer - Without Peg JS-1139-06 WO/P

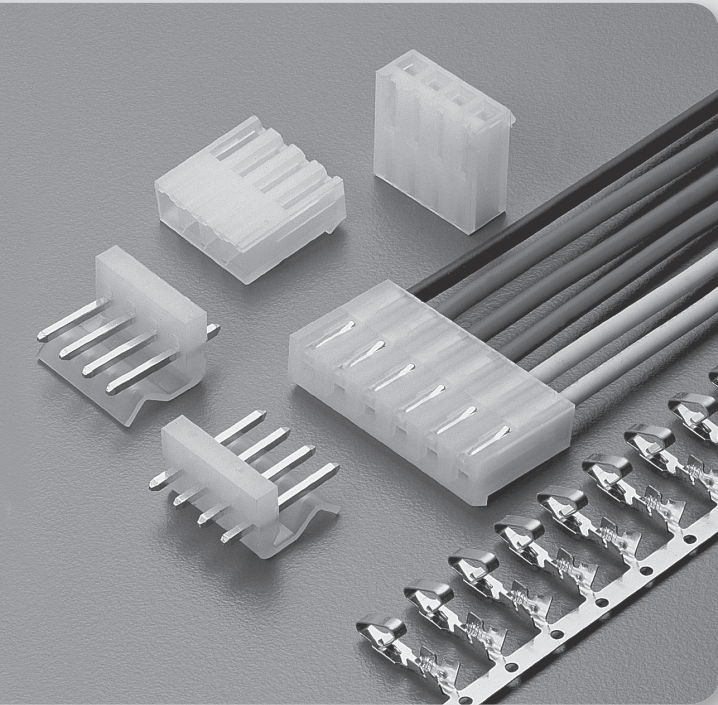


## Wafer - Without Peg JS-1139-12 WO/P





# 3.96mm (.156") Crimp Style Connectors



## Specifications

- Voltage Rating : 250V AC/DC
- Current Rating : 7A AC/DC
- Withstanding Voltage : 1,500V AC/minute
- Insulation Resistance : 1,000M $\Omega$  min.
- Temperature Range : -25°C to + 85°C
- Contact Resistance : 20m $\Omega$  max.

## Features:

### ■ HOUSING

Part No. : JS-5001

Poles : 2 - 14

Material : Nylon 66 UL94V-2

Q'ty : 1,000 pcs/Bag

### ■ WAFER

Part No. : JS-4001 (Straight)

JS-4001R (Right Angle)

Poles : 2 - 14

Material : Contact : Brass, Tin Plated

Base : Nylon 66 UL94V-2

Q'ty : 1,000 pcs/Bag

### ■ TERMINAL

Part No. : JS-5001-T

JS-5001-TA (3 Point Contact)

Applicable Wires : AWG# 18 - 24

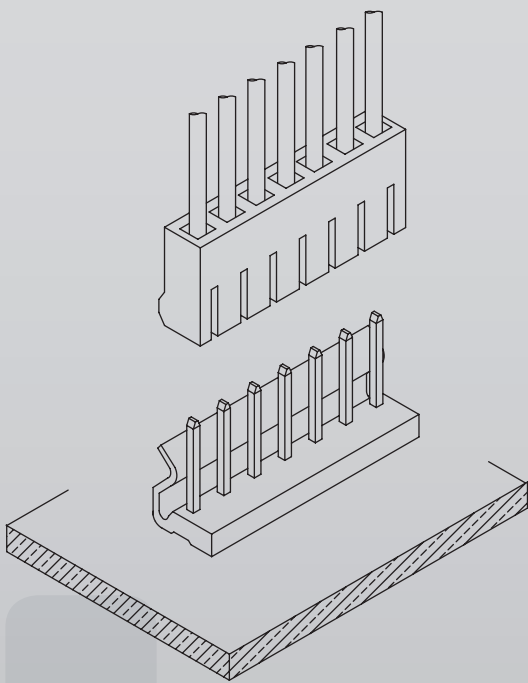
Material : Brass

Finish : Tin Plated

Thickness : 0.25mm

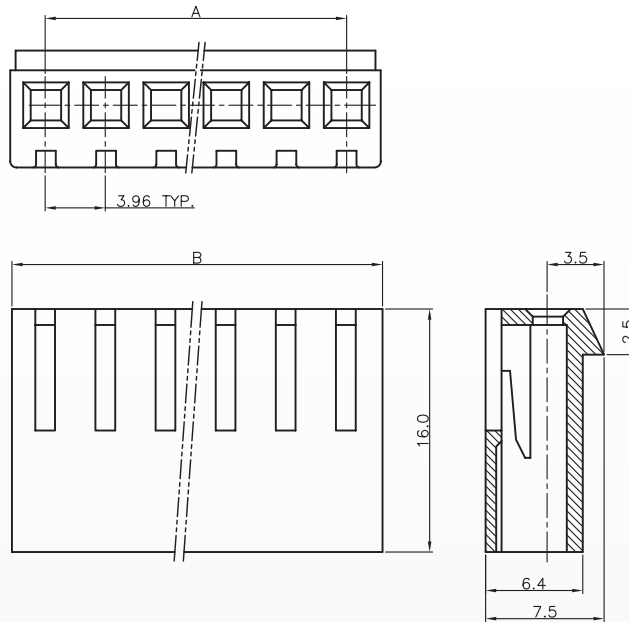
Q'ty : 6,000 pcs/Reel (for JS-5001-T)

7,000 pcs/Reel (for JS-5001-TA)



# 3.96mm (.156") Crimp Style Connectors

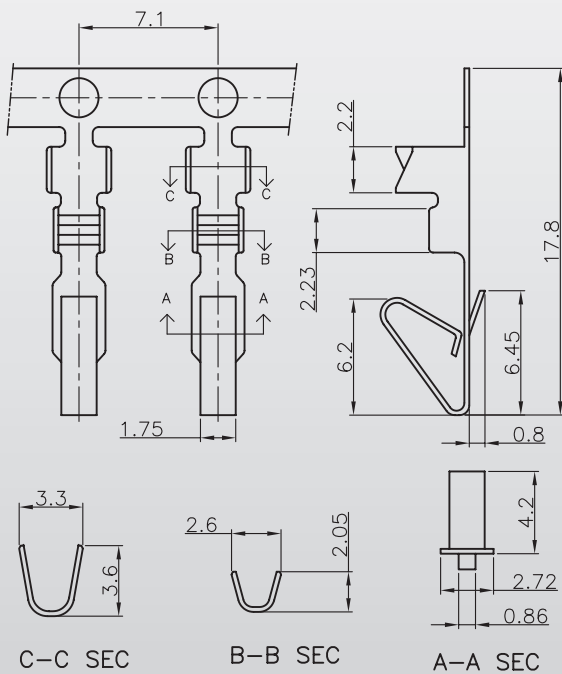
## Housing JS-5001



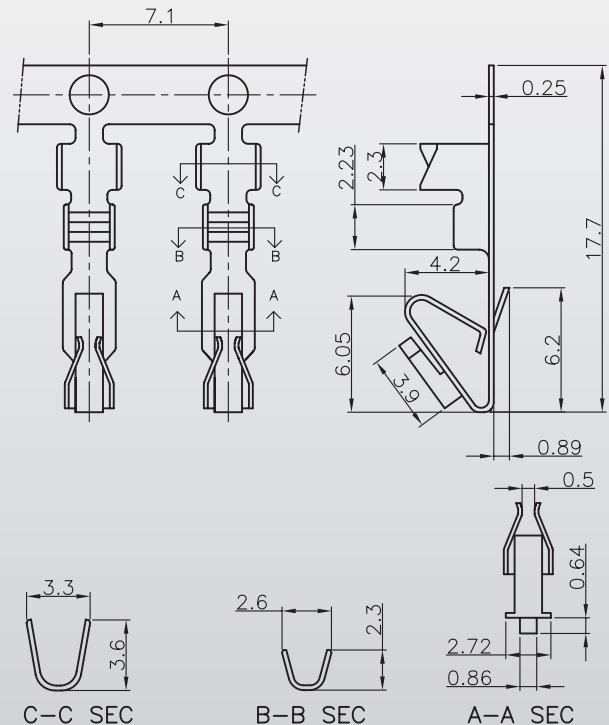
Poles	Part No.	Dimensions (mm)	
	JS-5001	A	B
2	JS-5001-02	3.96	8.92
3	JS-5001-03	7.92	12.88
4	JS-5001-04	11.88	16.84
5	JS-5001-05	15.84	20.80
6	JS-5001-06	19.80	24.76
7	JS-5001-07	23.76	28.72
8	JS-5001-08	27.72	32.68

Poles	Part No.	Dimensions (mm)	
	JS-5001	A	B
9	JS-5001-09	31.68	36.64
10	JS-5001-10	35.64	40.60
11	JS-5001-11	39.60	44.56
12	JS-5001-12	43.56	48.52
13	JS-5001-13	47.52	52.48
14	JS-5001-14	51.48	56.44

## Terminal JS-5001-T

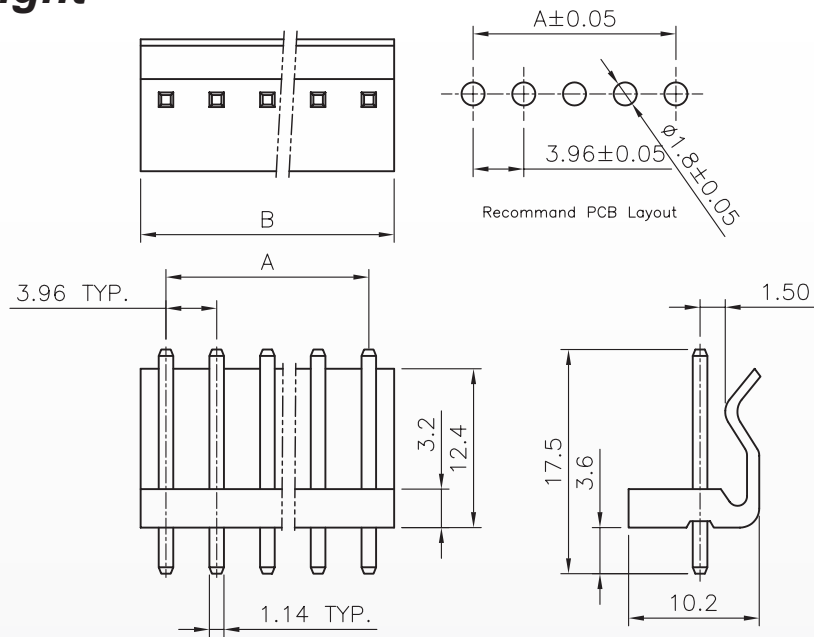


## Terminal < 3-Point Contact > JS-5001-TA



# 3.96mm (.156") Crimp Style Connectors

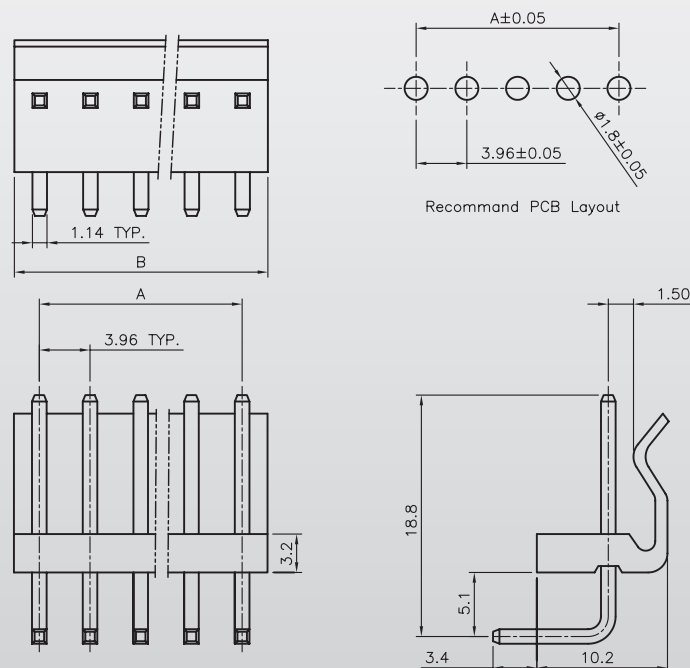
## Wafer - Straight JS-4001



Poles	Part No.		Dimensions (mm)	
	JS-4001	JS-4001R	A	B
2	JS-4001-02	JS-4001R-02	3.96	7.92
3	JS-4001-03	JS-4001R-03	7.92	11.88
4	JS-4001-04	JS-4001R-04	11.88	15.84
5	JS-4001-05	JS-4001R-05	15.84	19.80
6	JS-4001-06	JS-4001R-06	19.80	23.76
7	JS-4001-07	JS-4001R-07	23.76	27.72
8	JS-4001-08	JS-4001R-08	27.72	31.68

Poles	Part No.		Dimensions (mm)	
	JS-4001	JS-4001R	A	B
9	JS-4001-09	JS-4001R-09	31.68	35.64
10	JS-4001-10	JS-4001R-10	35.64	39.60
11	JS-4001-11	JS-4001R-11	39.60	43.56
12	JS-4001-12	JS-4001R-12	43.56	47.52
13	JS-4001-13	JS-4001R-13	47.52	51.48
14	JS-4001-14	JS-4001R-14	51.48	55.44

## Wafer - Right Angle JS-4001R



# 3.96mm (.156") Crimp Style Connectors

## Specifications

- Voltage Rating : 250V AC/DC
- Current Rating : 1A AC/DC
- Withstanding Voltage : 500V AC/minute
- Insulation Resistance : 100MΩ min.
- Temperature Range : -25°C to + 85°C
- Contact Resistance : 20mΩ max.

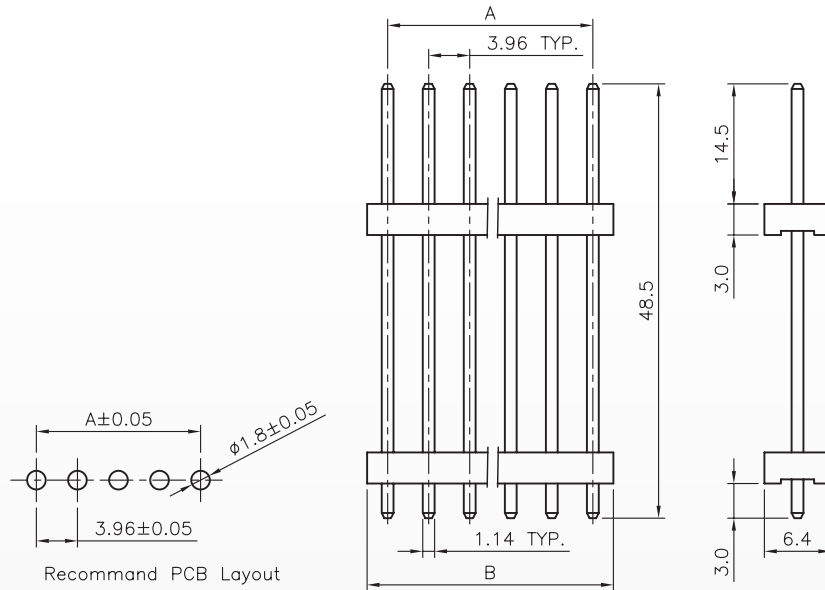
## Features:

- HOUSING (Please See Page A146)  
Part No. : JS-5001  
Poles : 2 - 14  
Material : Nylon 66 UL94V-2  
Q,ty : 1,000 pcs/Bag
- WAFER  
Part No. : JS-4002 (Straight) (Double Base)  
JS-4003 (Straight)  
JS-4003R (Right Angle)  
Poles : 2 - 14  
Material : Contact : Brass, Tin Plated  
Base : Nylon 66 UL94V-2  
Q'ty : 1,000 pcs/Bag
- TERMINAL (Please See Page A146)  
Part No. : JS-5001-T  
JS-5001-TA (3-Point Contact)  
Applicable Wires : AWG# 18 - 24  
Material : Brass  
Finish : Tin Plated  
Thickness : 0.25mm  
Q'ty : 6,000 pcs/Reel (for JS-5001-T)  
7,000 pcs/Reel (for JS-5001-TA)



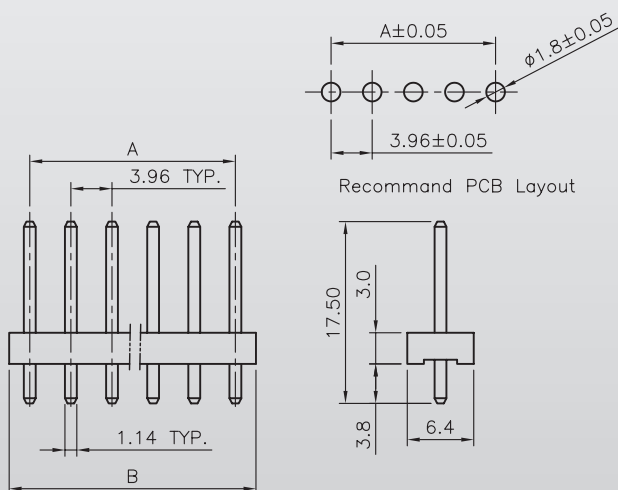
# 3.96mm (.156") Crimp Style Connectors

## Wafer - Straight, Double Base JS-4002

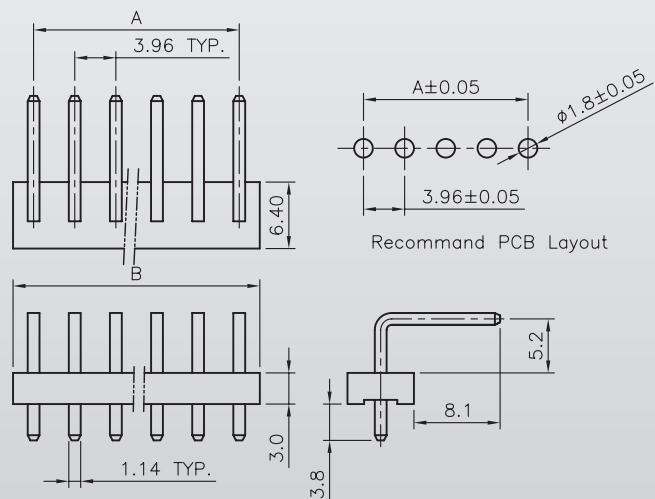


Poles	Part No.			Dimensions (mm)	
	JS-4002	JS-4003	JS-4003R	A	B
2	JS-4002-02	JS-4003-02	JS-4003R-02	3.96	7.92
3	JS-4002-03	JS-4003-03	JS-4003R-03	7.92	11.88
4	JS-4002-04	JS-4003-04	JS-4003R-04	11.88	15.84
5	JS-4002-05	JS-4003-05	JS-4003R-05	15.84	19.80
6	JS-4002-06	JS-4003-06	JS-4003R-06	19.80	23.76
7	JS-4002-07	JS-4003-07	JS-4003R-07	23.76	27.72
8	JS-4002-08	JS-4003-08	JS-4003R-08	27.72	31.68
9	JS-4002-09	JS-4003-09	JS-4003R-09	31.68	35.64
10	JS-4002-10	JS-4003-10	JS-4003R-10	35.64	39.60
11	JS-4002-11	JS-4003-11	JS-4003R-11	39.60	43.56
12	JS-4002-12	JS-4003-12	JS-4003R-12	43.56	47.52
13	JS-4002-13	JS-4003-13	JS-4003R-13	47.52	51.48
14	JS-4002-14	JS-4003-14	JS-4003R-14	51.48	55.44

## Wafer - Straight JS-4003



## Wafer - Right Angle JS-4003R





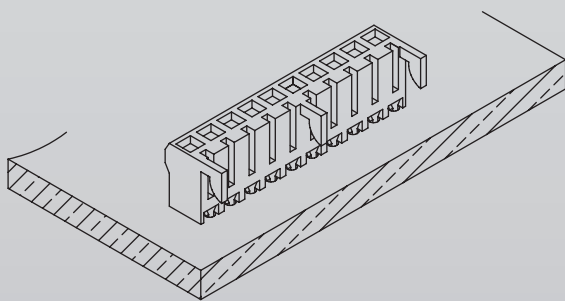
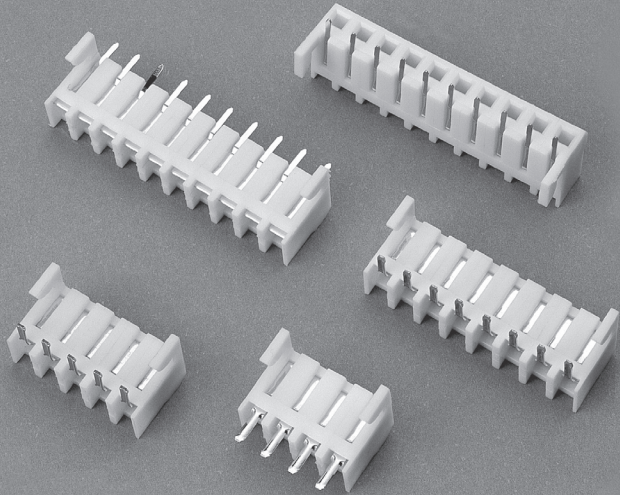
# 3.96mm (.156") P C B Headers

## Specifications

- Voltage Rating : 250V AC/DC
- Current Rating : 5A AC/DC
- Withstanding Voltage : 1,500V AC/minute
- Insulation Resistance : 1,000MΩ min.
- Temperature Range : -40°C to + 105°C
- Contact Resistance : 20mΩ max.

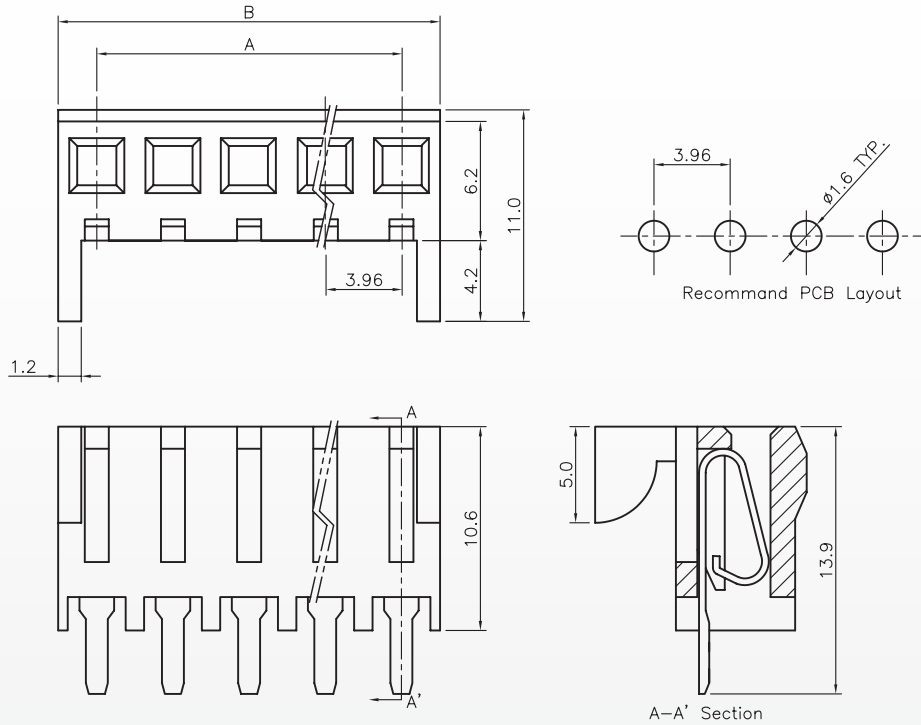
## Features:

- WAFER
  - Part No. : JS-5017A-xxS (Top Entry Type)
  - JS-5017A-xxR (Side Entry Type)
  - JS-5018A-xxDR (Bottom Entry Type)
- Poles : 2 - 16
- Material : Contact : Brass, Tin Plated
- Base : Nylon 66 UL94V-2
- Q'ty : 1,000 pcs/Bag

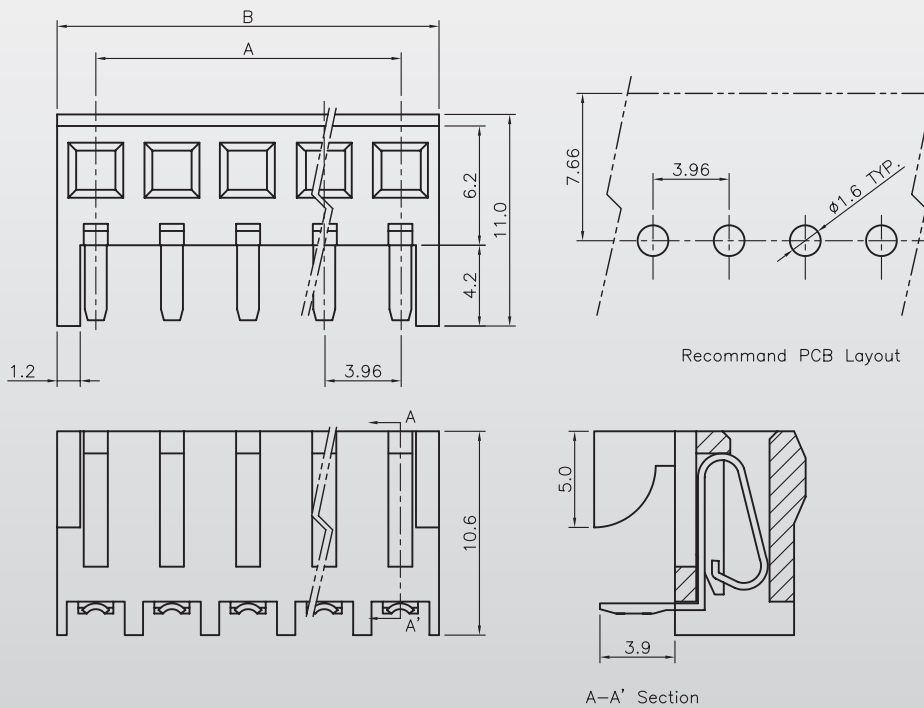


# 3.96mm (.156") P C B Headers

## Wafer - Top Entry Type JS-5017A-xxS

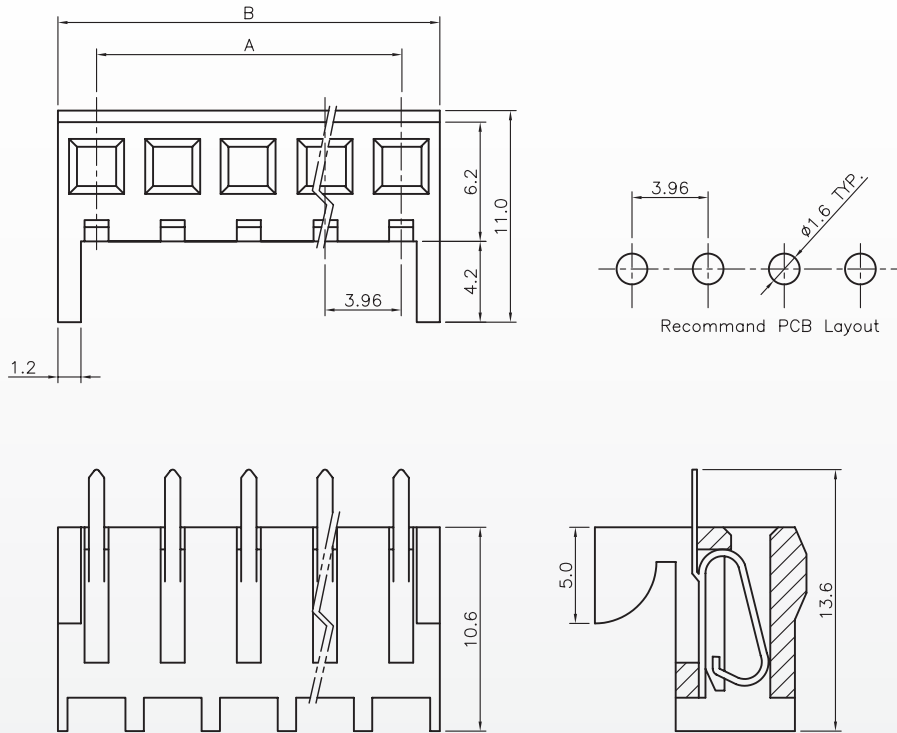


## Wafer - Side Entry Type JS-5017A-xxR



# 3.96mm (.156") P C B Headers

## Wafer - Bottom Entry Type JS-5018A-xxDR



A

Poles	Part No.			Dimensions (mm)	
	JS-5017A-xxS	JS-5017A-xxR	JS-5018A-xxDR	A	B
2	JS-5017A-02S	JS-5017A-02R	JS-5018A-02DR	3.96	8.06
3	JS-5017A-03S	JS-5017A-03R	JS-5018A-03DR	7.92	12.02
4	JS-5017A-04S	JS-5017A-04R	JS-5018A-04DR	11.88	15.98
5	JS-5017A-05S	JS-5017A-05R	JS-5018A-05DR	15.84	19.94
6	JS-5017A-06S	JS-5017A-06R	JS-5018A-06DR	19.80	23.90
7	JS-5017A-07S	JS-5017A-07R	JS-5018A-07DR	23.76	27.86
8	JS-5017A-08S	JS-5017A-08R	JS-5018A-08DR	27.72	31.82
9	JS-5017A-09S	JS-5017A-09R	JS-5018A-09DR	31.68	35.78
10	JS-5017A-10S	JS-5017A-10R	JS-5018A-10DR	35.64	39.74
11	JS-5017A-11S	JS-5017A-11R	JS-5018A-11DR	39.60	43.70
12	JS-5017A-12S	JS-5017A-12R	JS-5018A-12DR	43.56	47.66
13	JS-5017A-13S	JS-5017A-13R	JS-5018A-13DR	47.52	51.62
14	JS-5017A-14S	JS-5017A-14R	JS-5018A-14DR	51.48	55.58
15	JS-5017A-15S	JS-5017A-15R	JS-5018A-15DR	55.44	59.54
16	JS-5017A-16S	JS-5017A-16R	JS-5018A-16DR	59.40	63.50

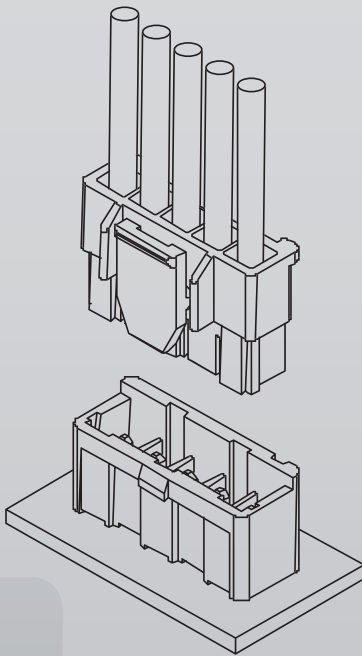
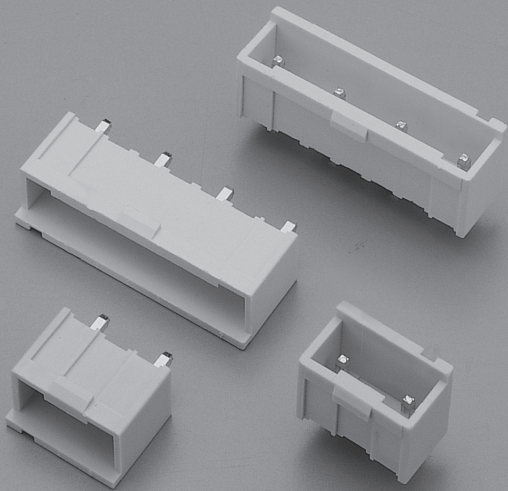
# 3.96mm (.156") Crimp Style Connectors

## Specifications

- Voltage Rating : 300V AC/DC
- Current Rating : 10A AC/DC
- Withstanding Voltage : 1500V AC/minute
- Insulation Resistance : 1000MΩ min.
- Temperature Range : -25°C to + 105°C
- Contact Resistance : 20mΩ max.

## Features:

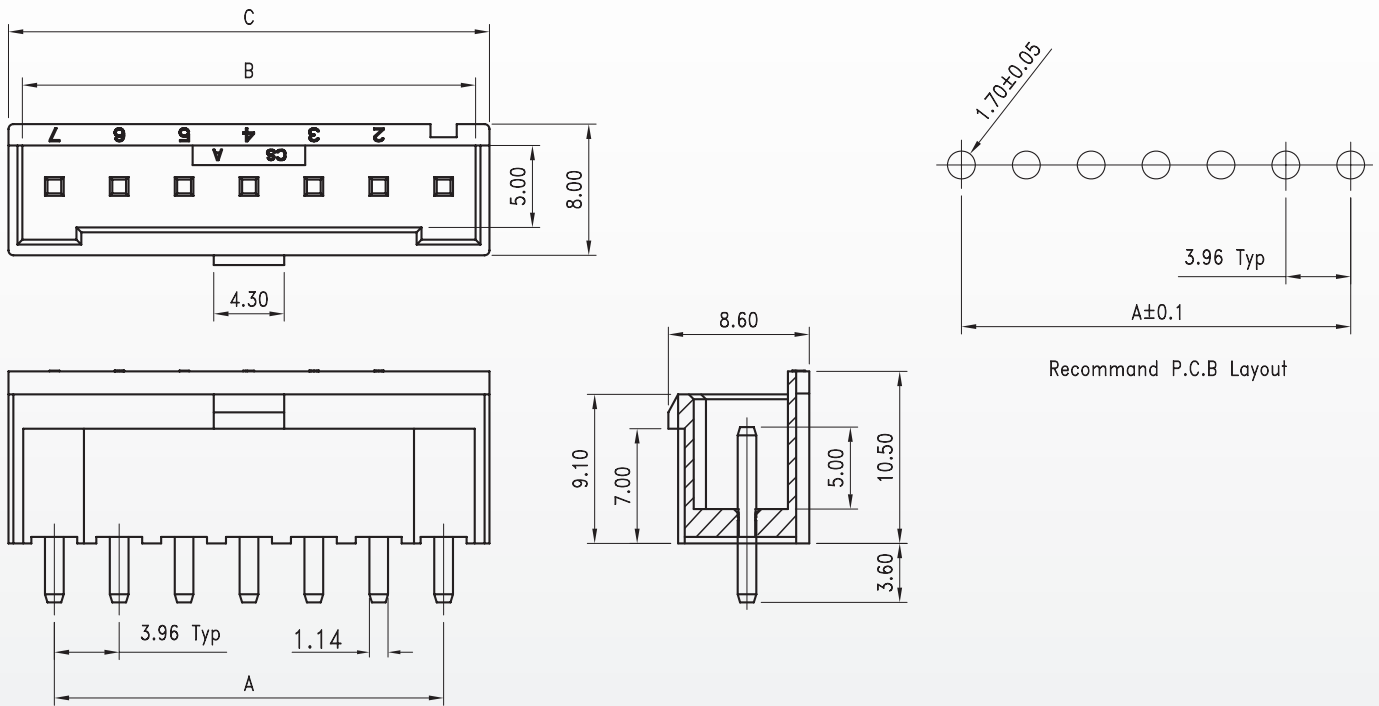
- WAFER  
Part No. : JS-1391-XX (Straight)  
Poles : 2 - 10  
Material : Contact : Brass, Tin Plated  
Base : Nylon 66 UL94V-0  
Q'ty : 1,000 pcs/Bag



# 3.96mm (.156") Crimp Style Connectors

## Wafer JS-1391-XX

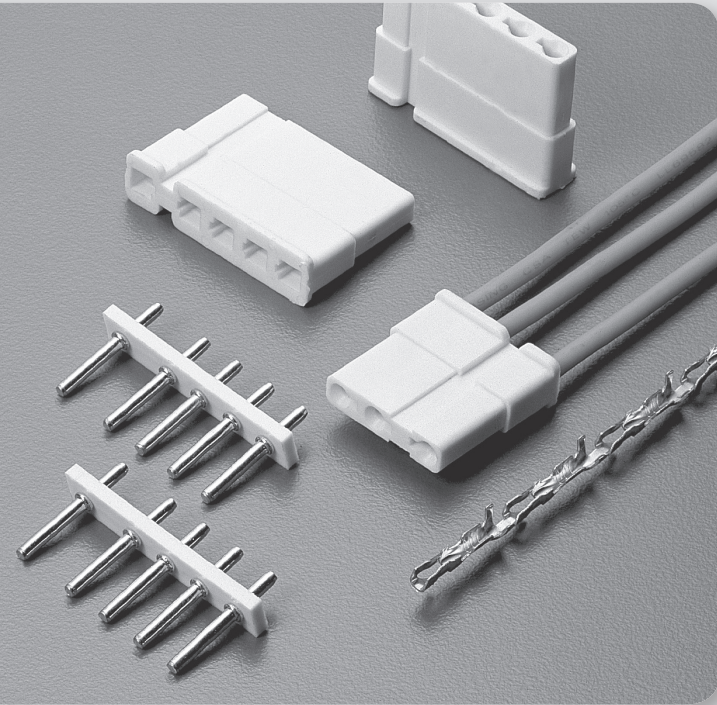
A



Poles	Part No.	Dimensions (mm)		
		A	B	C
2	JS-1391-02	3.96	7.86	9.56
3	JS-1391-03	7.92	11.82	13.52
4	JS-1391-04	11.88	15.78	17.48
5	JS-1391-05	15.84	19.74	21.44
6	JS-1391-06	19.80	23.70	25.40
7	JS-1391-07	23.76	27.66	29.36
8	JS-1391-08	27.72	31.62	33.32
9	JS-1391-09	31.68	35.58	37.28
10	JS-1391-10	35.64	39.54	41.24



# 5.00mm (.197") Crimp Style Connectors



## Specifications

- Voltage Rating : 250V AC/DC
- Current Rating : 5A AC/DC
- Withstanding Voltage : 1,500V AC/minute
- Insulation Resistance : 1,000M $\Omega$  min.
- Temperature Range : -25°C to + 85°C
- Contact Resistance : 20m $\Omega$  max.

## Features:

### ■ HOUSING

Part No. : JS-1102

Poles : 1 - 6

Material : Nylon 66 UL94V-0

Q,ty : 1,000 pcs/Bag

### ■ WAFER

Part No. : JS-1103, JS-1103-xx (B)

Poles : 1 - 6

Material : Contact : Brass, Tin Plated

Base : Nylon 66 UL94V-0,

Phenolic Bakelite

Q'ty : 1,000 pcs/Bag

### ■ TERMINAL

Part No. : JS-1102-T, JS-1102-T (L)

Applicable Wires : AWG# 18 - 22

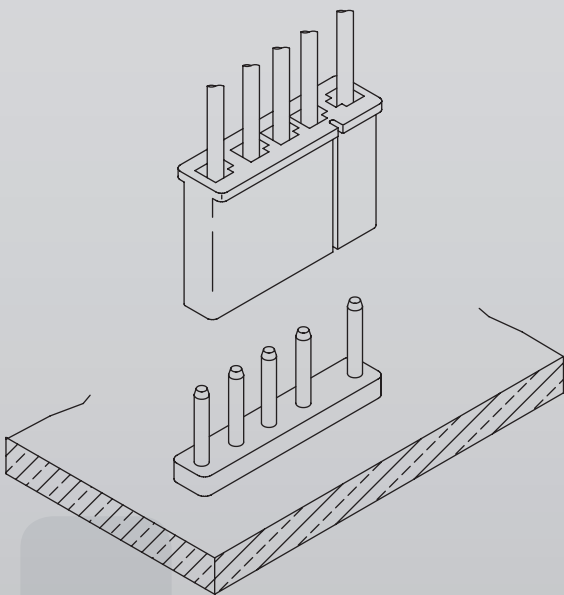
Material : Brass

Finish : Tin Plated

Thickness : 0.25mm

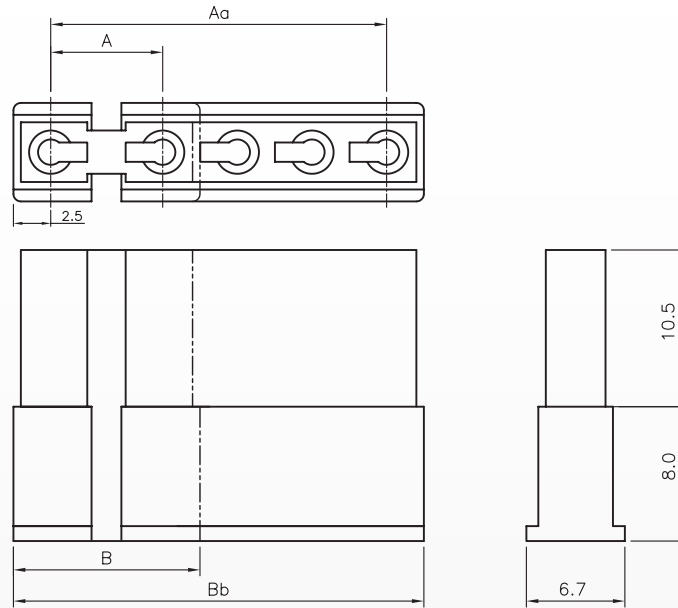
Q'ty : 20,000 pcs/Reel (for JS-1102-T)

6,000 pcs/Reel (for JS-1102-T (L))



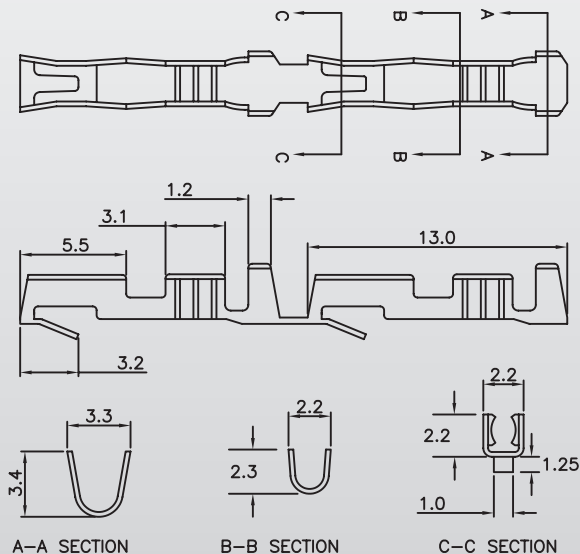
# 5.00mm (.197") Crimp Style Connectors

## Housing JS-1102

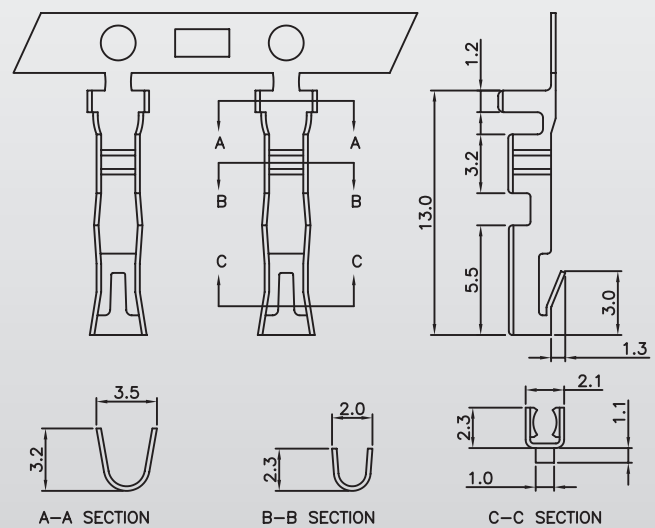


Poles	Part No.	Dimensions (mm)			
	JS-1102	A	Aa	B	Bb
1	JS-1102-01	-----	-----	5.95	-----
2	JS-1102-02	7.50	-----	12.55	-----
3	JS-1102-03	-----	12.50	-----	17.55
4	JS-1102-04	-----	17.50	-----	22.55
5	JS-1102-05	-----	22.50	-----	27.55
6	JS-1102-06	-----	27.50	-----	32.55

## Terminal JS-1102-T

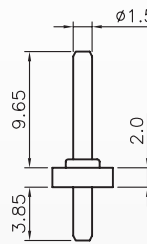
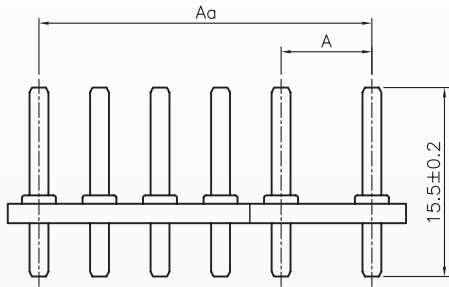
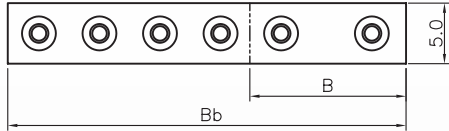


## Terminal JS-1102-T(L)

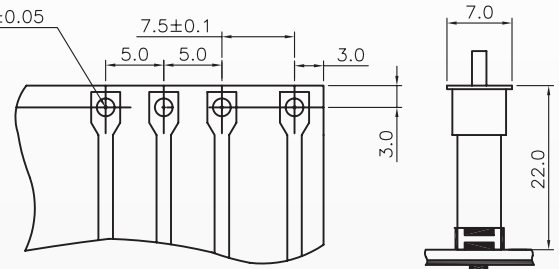


# 5.00mm (.197") Crimp Style Connectors

## Wafer JS-1103



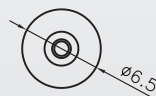
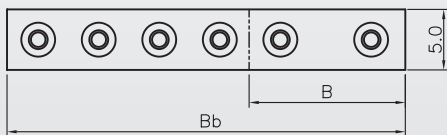
Recommad PCB Layout And Assembly Layout



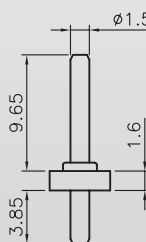
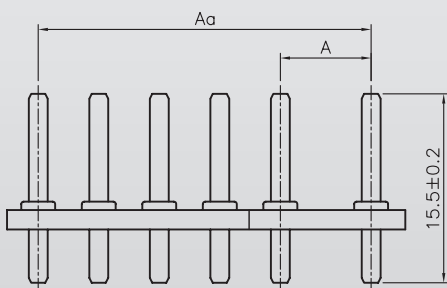
Poles	Part No.	Dimensions (mm)			
	JS-1103	A	Aa	B	Bb
1	JS-1103-01	----	----	5.50	----
2	JS-1103-02	7.50	----	13.00	----
3	JS-1103-03	----	12.50	----	18.00
4	JS-1103-04	----	17.50	----	23.00
5	JS-1103-05	----	22.50	----	28.00
6	JS-1103-06	----	27.50	----	33.00

Poles	Part No.	Dimensions (mm)			
	JS-1103-xx(B)	A	Aa	B	Bb
1	JS-1103-01(B)	----	----	6.5	----
2	JS-1103-02(B)	7.50	----	13.00	----
3	JS-1103-03(B)	----	12.50	----	18.00
4	JS-1103-04(B)	----	17.50	----	23.00
5	JS-1103-05(B)	----	22.50	----	28.00
6	JS-1103-06(B)	----	27.50	----	33.00

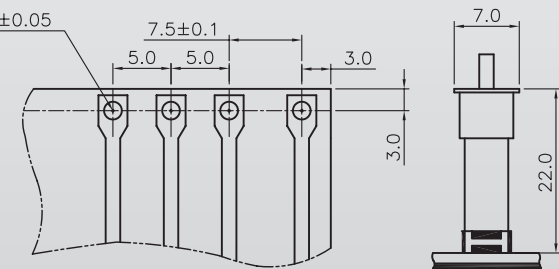
## Wafer JS-1103-xx(B)



JS-1103-01(B)



Recommad PCB Layout And Assembly Layout



# 5.00mm (.197") Crimp Style Connectors

## Specifications

- Voltage Rating : 250V AC/DC
- Current Rating : 7A AC/DC
- Withstanding Voltage : 1,500V AC/minute
- Insulation Resistance : 1,000MΩ min.
- Temperature Range : -25°C to + 85°C
- Contact Resistance : 20mΩ max.

## Features:

### ■ HOUSING

Part No. : JS-5080

Poles : 2 - 6

Material : Nylon 66 UL94V-2

Q,ty : 1,000 pcs/Bag

### ■ WAFER

Part No. : JS-5081 (Straight)

JS-5081R (Right Angle)

Poles : 2 - 6

Material : Contact : Brass, Tin Plated

Base : Nylon 66 UL94V-2

Q'ty : 1,000 pcs/Bag

### ■ TERMINAL

Part No. : JS-5001-T

JS-5001-TA (3-Point Contact)

Applicable Wires : AWG# 18 - 24

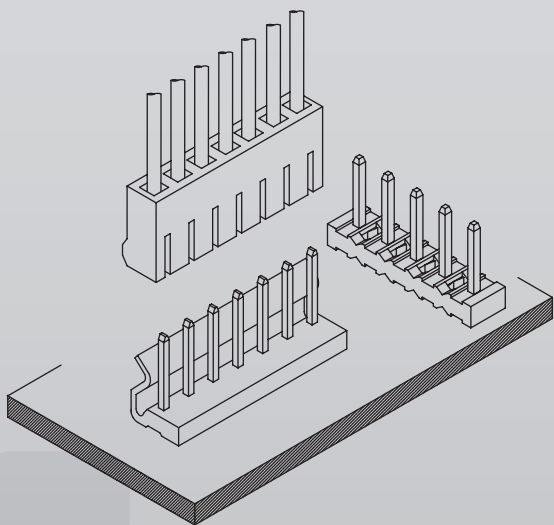
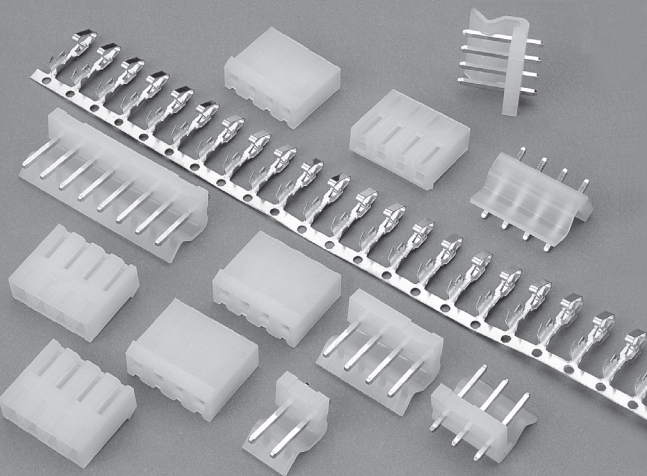
Material : Brass

Finish : Tin Plated

Thickness : 0.25mm

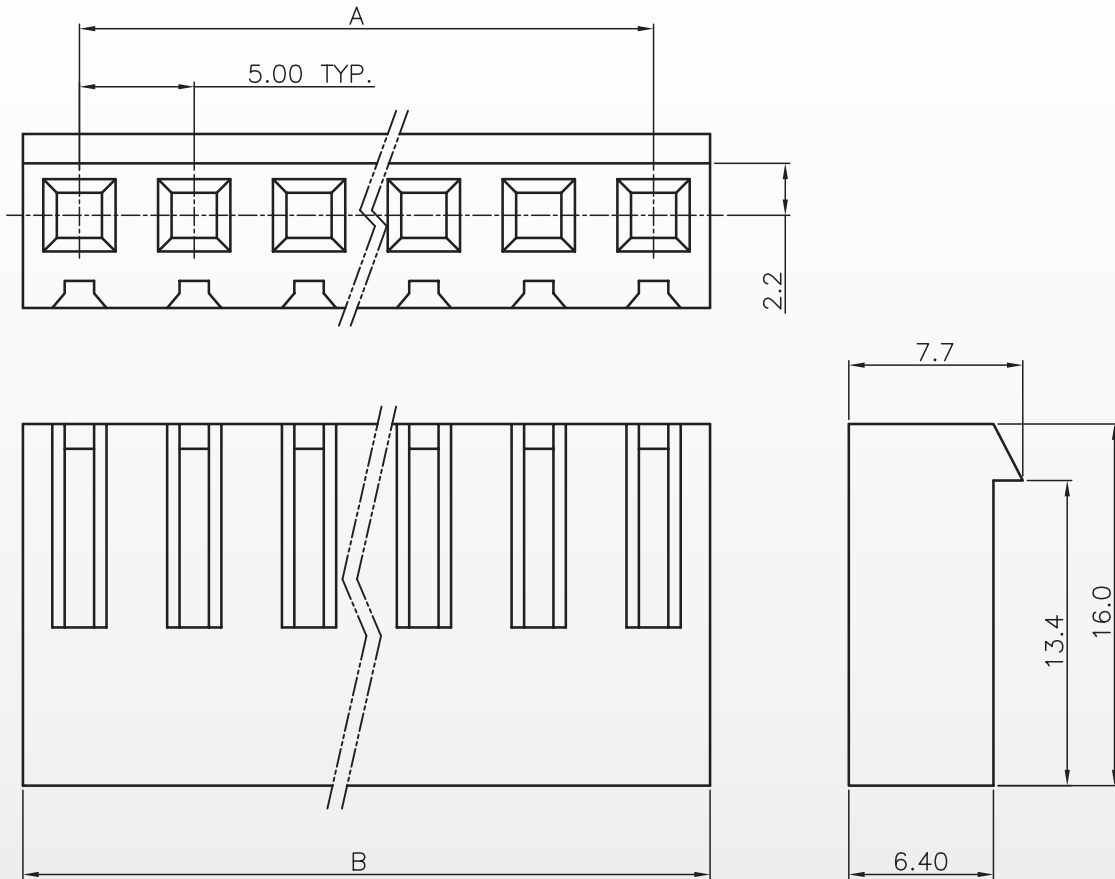
Q'ty : 6,000 pcs/Reel (for JS-5001-T)

7,000 pcs/Reel (for JS-5001-TA)



# 5.00mm (.197") Crimp Style Connectors

## Housing JS-5080

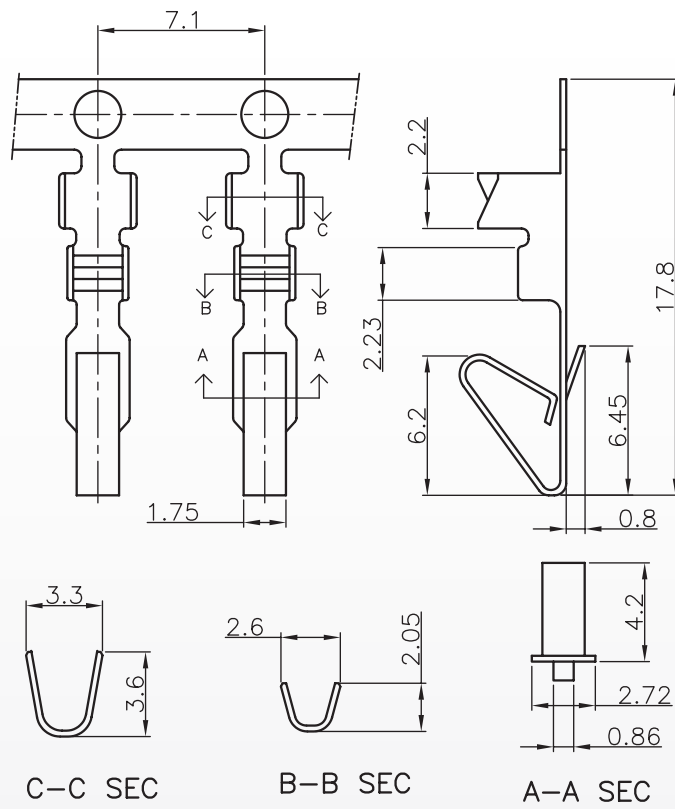


Poles	Part No.	Dimensions (mm)	
	JS-5000 (JS-5080)	A	B
2	JS-5000-02	5.0	10.0
3	JS-5000-03	10.0	15.0
4	JS-5000-04	15.0	20.0
5	JS-5000-05	20.0	25.0
6	JS-5000-06	25.0	30.0

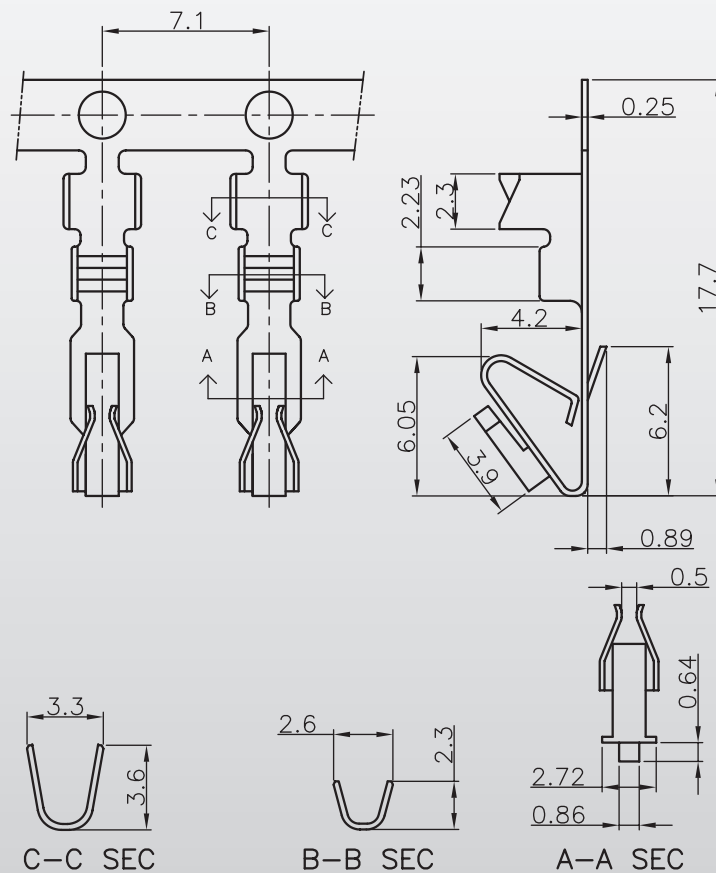


# 5.00mm (.197") Crimp Style Connectors

## Terminal JS-5001-T

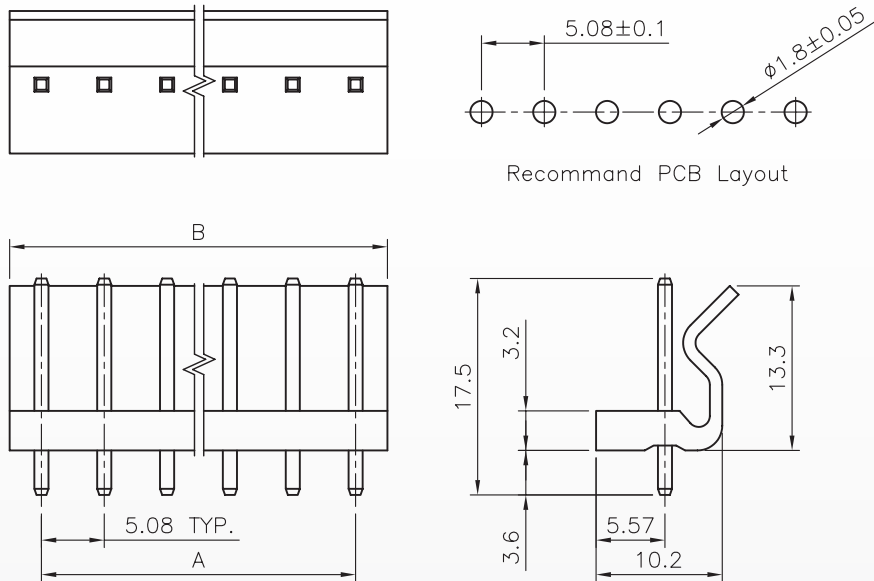


## Terminal < 3-Point Contact > JS-5001-TA



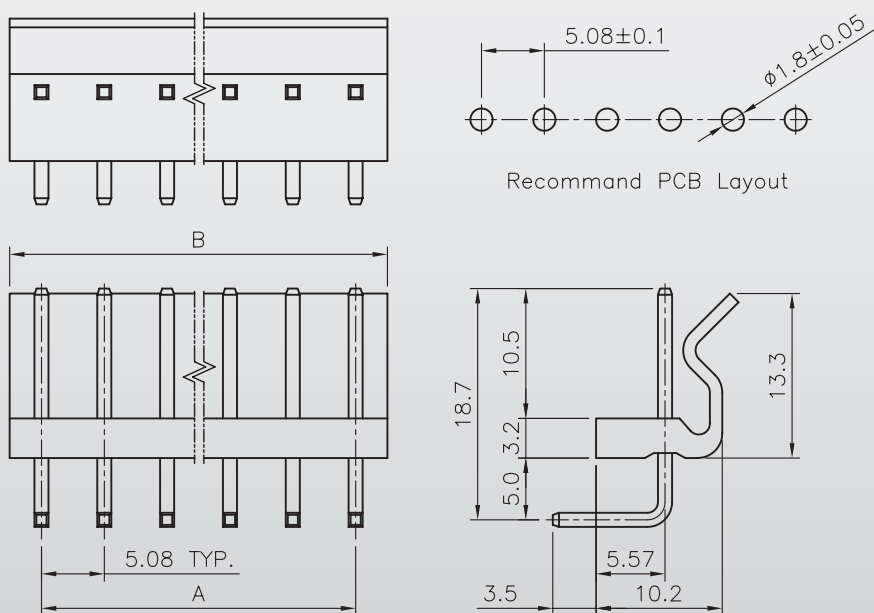
# 5.00mm (.197") Crimp Style Connectors

## Wafer - Straight JS-5081



Poles	Part No.		Dimensions (mm)	
	JS-5081(JS-5010)	JS-5081R(JS-5010R)	A	B
2	JS-5081-02	JS-5081R-02	5.08	10.22
3	JS-5081-03	JS-5081R-03	10.16	15.30
4	JS-5081-04	JS-5081R-04	15.24	20.38
5	JS-5081-05	JS-5081R-05	20.32	25.46
6	JS-5081-06	JS-5081R-06	25.40	30.54

## Wafer - Right Angle JS-5081R



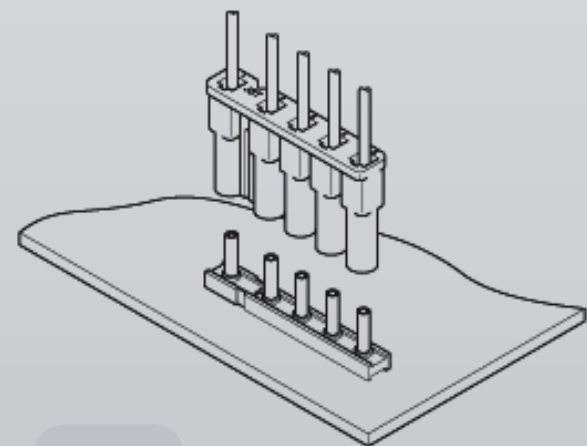
# 8.00mm (.315") Crimp Style Connectors

## Specifications

- Voltage Rating : 250V AC/DC
- Current Rating : 7A AC/DC
- Withstanding Voltage : 1,500V AC/minute
- Insulation Resistance : 1,000MΩ min.
- Temperature Range : -25°C to + 85°C
- Contact Resistance : 20mΩ max.

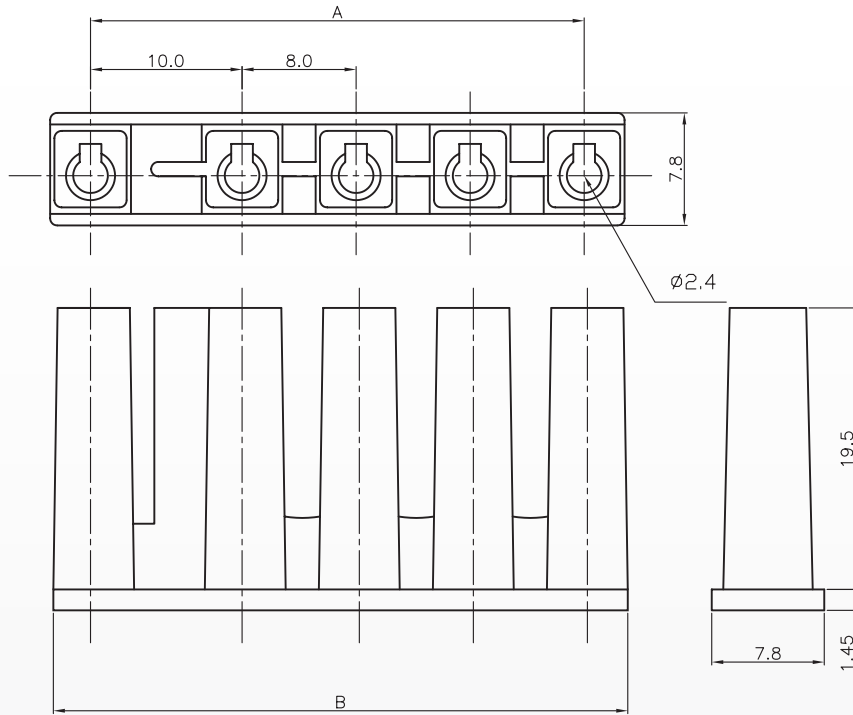
## Features:

- HOUSING  
Part No. : JS-1123, JS-1123-04S  
Poles : 1 - 6, 4  
Material : Nylon 66 UL94V-0  
Q,ty : 1,000 pcs/Bag
- WAFER  
Part No. : JS-1122, JS-1122-xx(B)  
Poles : 2 - 15  
Material : Contact : Brass, Tin Plated  
Base : Nylon 66 UL94V-0,  
Phenolic Bakelite  
Q'ty : 1,000 pcs/Bag
- TERMINAL  
Part No. : JS-1123-T, JS-1123-T (L)  
Applicable Wires : AWG# 18 - 26  
Material : Brass  
Finish : Tin Plated  
Thickness : 0.25mm  
Q'ty : 15,000 pcs/Reel (for JS-1123-T)  
7,000 pcs/Reel (for JS-1123-T(L))



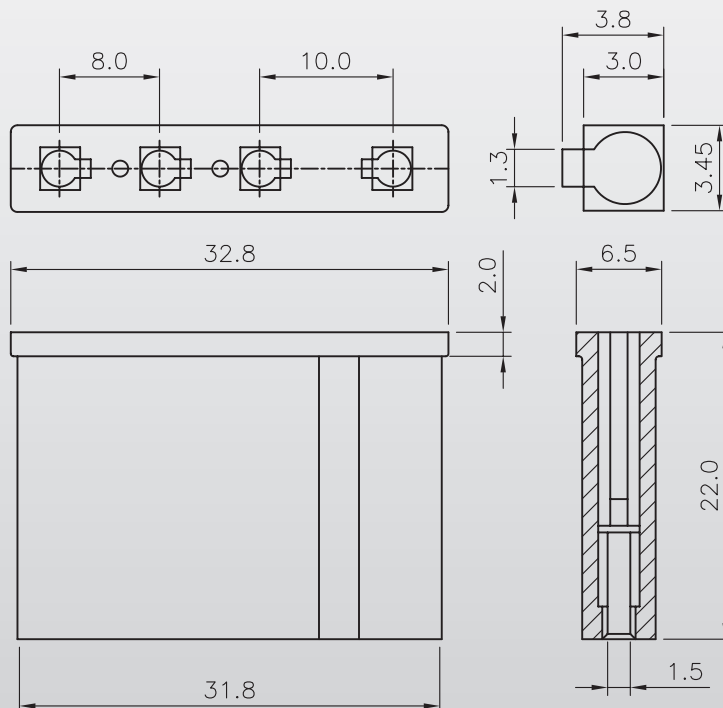
# 8.00mm (.315") Crimp Style Connectors

## Housing JS-1123-XX



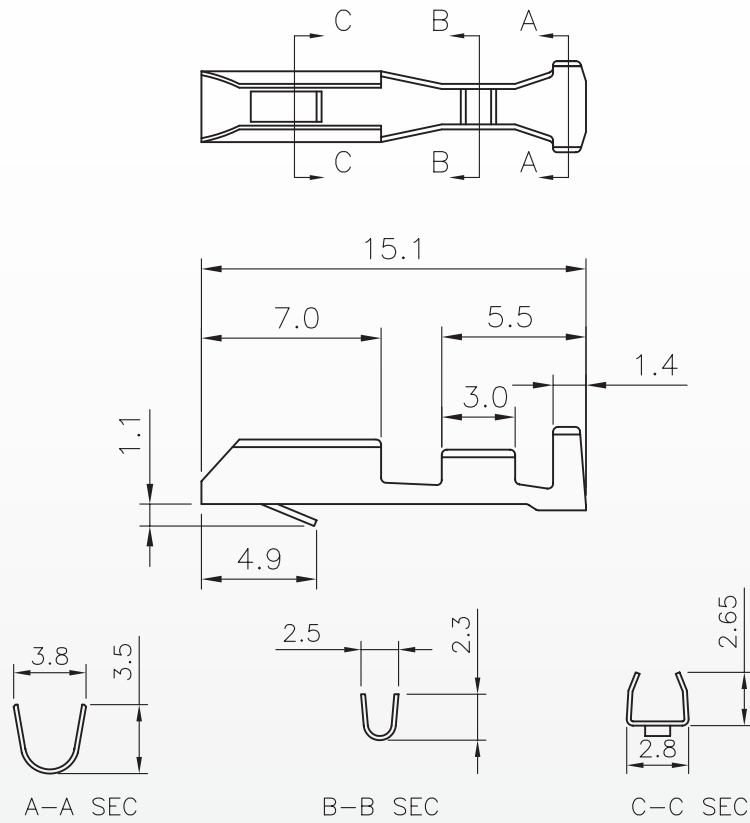
Poles	Part No.	Dimensions (mm)	
	JS-1123	A	B
1	JS-1123-01	-----	6.50
2	JS-1123-02	10.0/8.0	18.0/16.0
3	JS-1123-03	18.00	24.00
4	JS-1123-04	26.00	32.00
5	JS-1123-05	34.00	40.00
6	JS-1123-06	42.00	48.00

## Housing JS-1123-04S

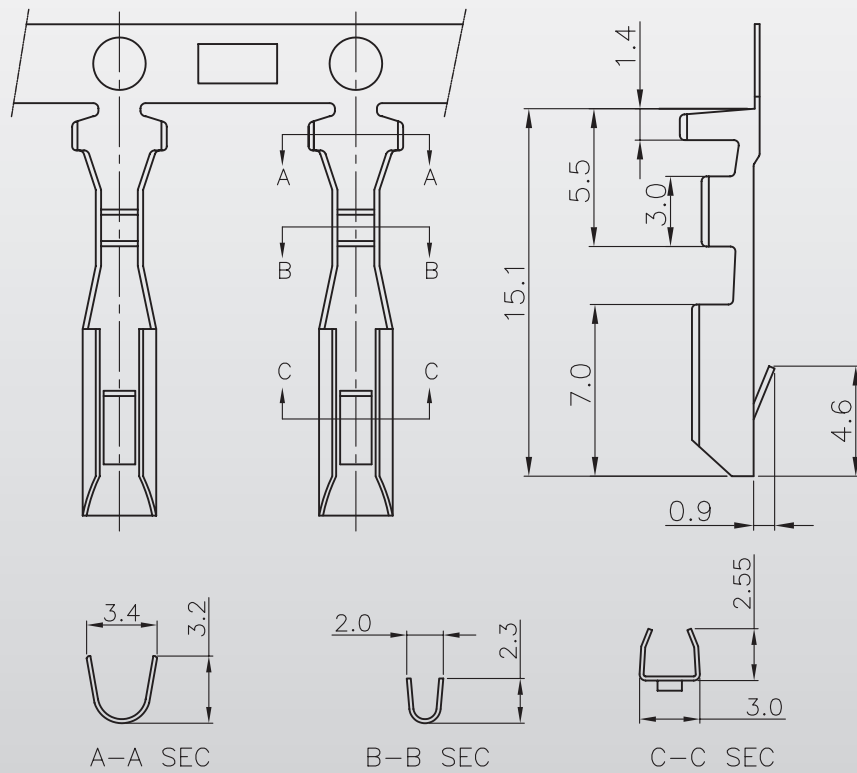


# 8.00mm (.315") Crimp Style Connectors

## Terminal JS-1123-T



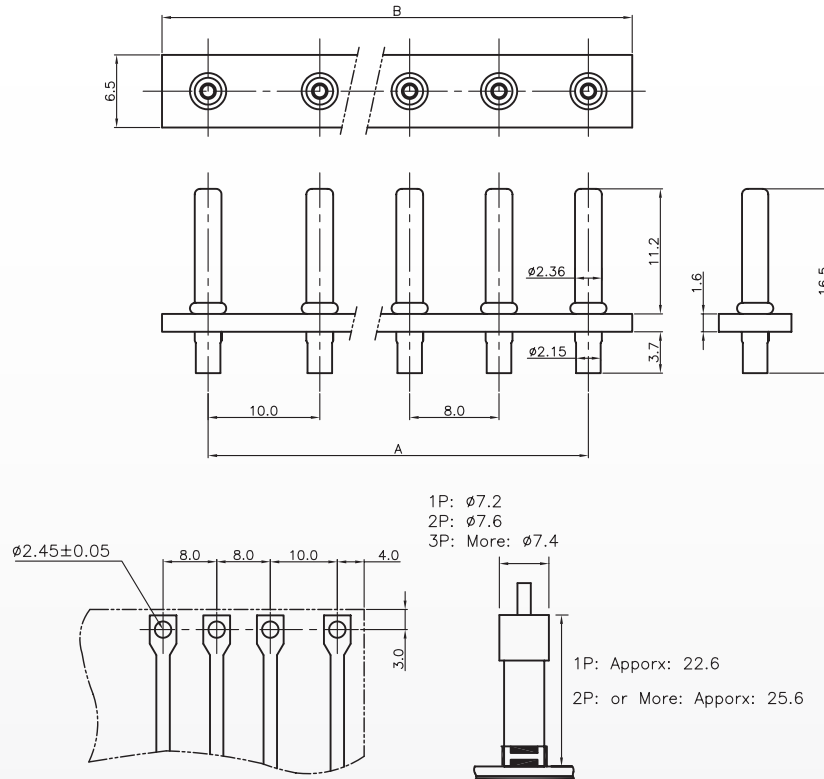
## Terminal JS-1123-T(L)





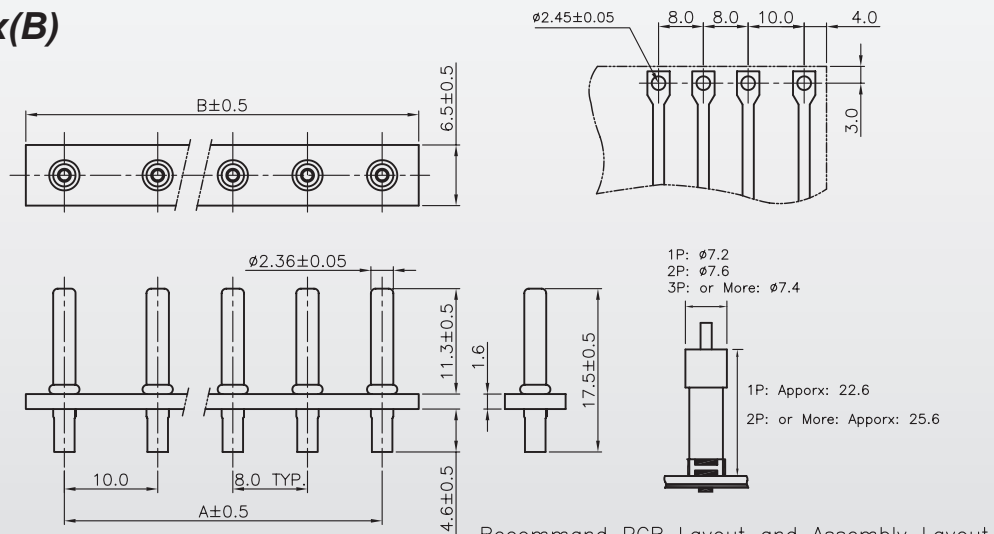
# 8.00mm (.315") Crimp Style Connectors

## Wafer JS-1122



Recommand PCB Layout and Assembly Layout

## Wafer JS-1122-xx(B)

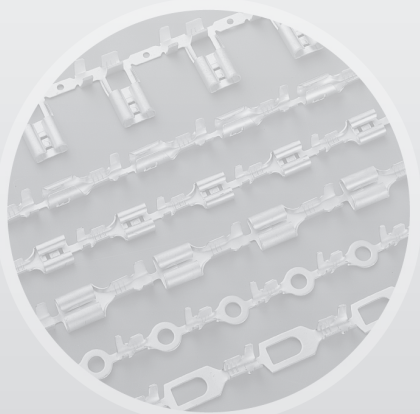
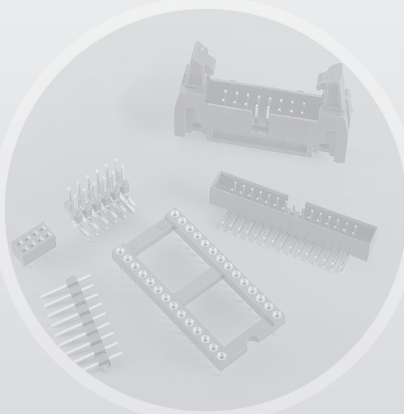
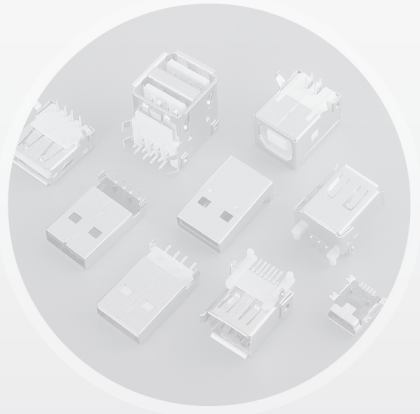
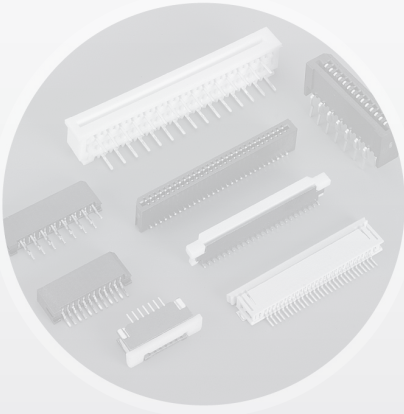
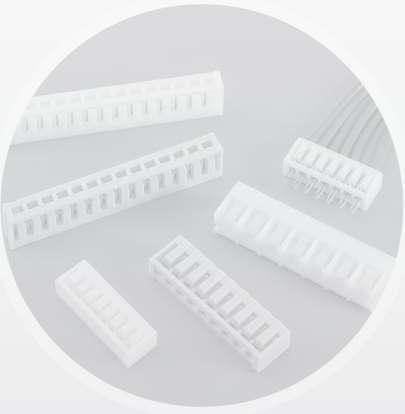
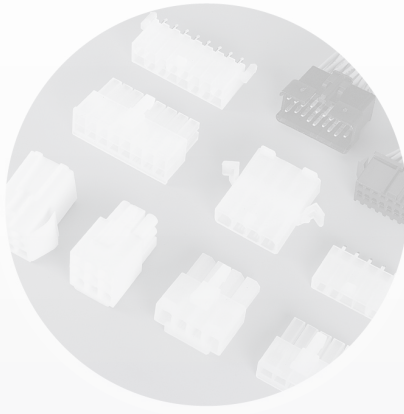
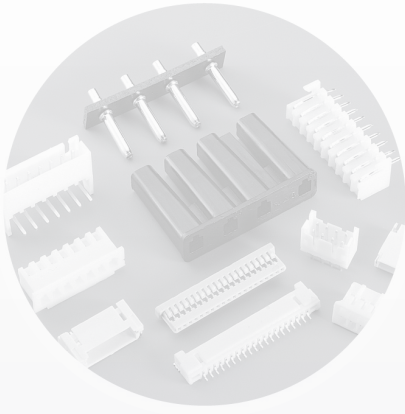


Recommand PCB Layout and Assembly Layout

Poles	Part No.		Dimensions (mm)	
	JS-1122	JS-1122-xx(B)	A	B
1	JS-1122-01	JS-1122-01(B)	-----	6.50
2	JS-1122-02	JS-1122-02(B)	10.0 / 8.0	18.0 / 16.0
3	JS-1122-03	JS-1122-03(B)	18.00	26.00
4	JS-1122-04	JS-1122-04(B)	26.00	34.00
5	JS-1122-05	JS-1122-05(B)	34.00	42.00
6	JS-1122-06	JS-1122-06(B)	42.00	50.00

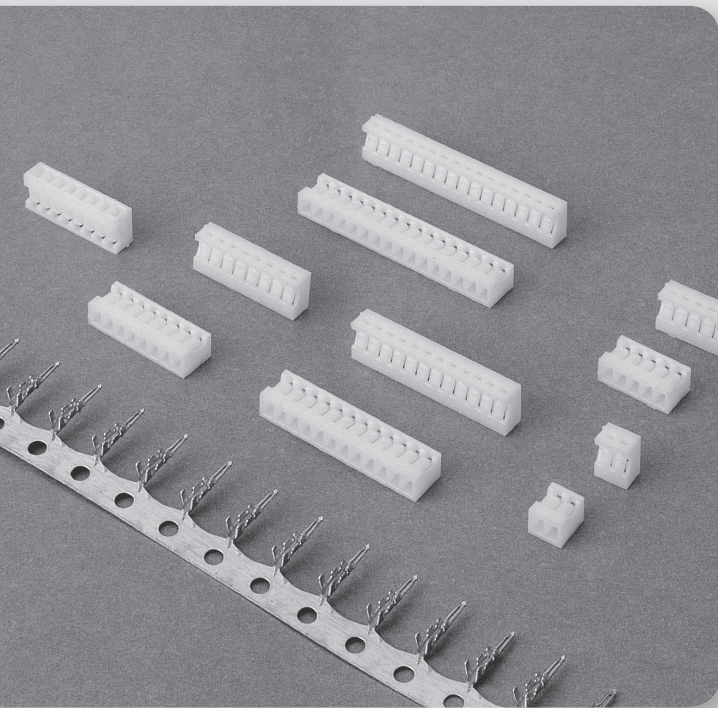
# MEMO

A



A166

# 1.25mm (.049") Crimp Style Board-In Connectors

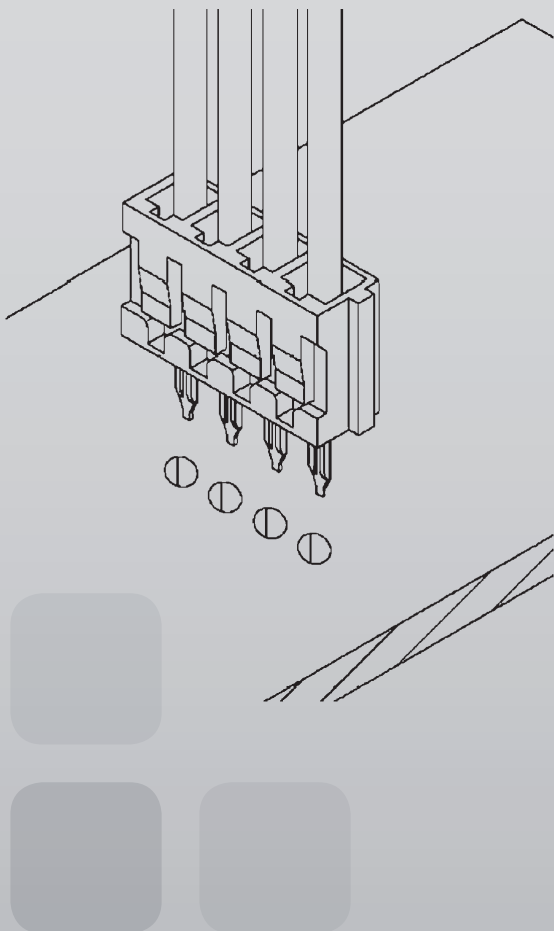


## Specifications

- Voltage Rating : 125V AC/DC
- Current Rating : 1A AC/DC
- Withstanding Voltage : 250V AC/minute
- Insulation Resistance : 100M $\Omega$  min.
- Temperature Range : -25°C to + 85°C
- Contact Resistance : 20m $\Omega$  max.

## Features:

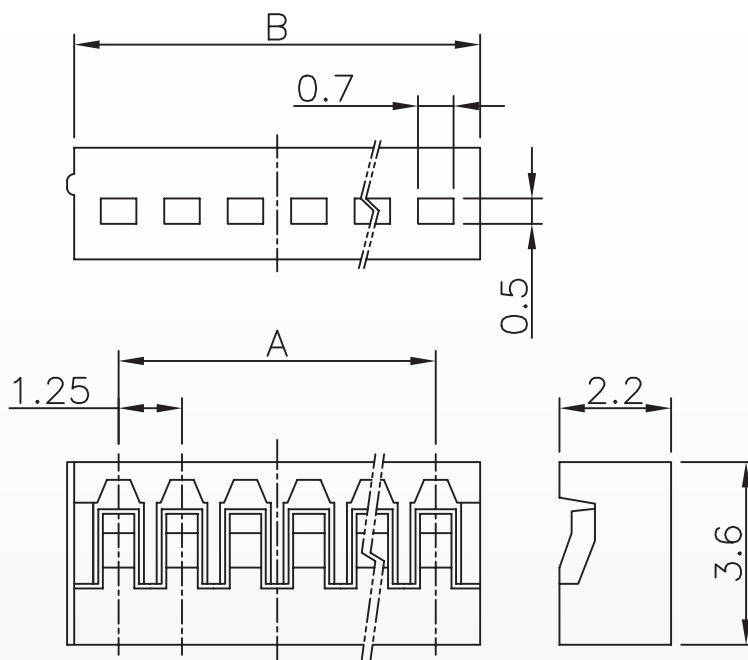
- HOUSING
  - Part No. : JS-1252-XX
  - Poles : 2 - 15
  - Material : Nylon 66 UL94V-0
  - Q'ty : 1,000 pcs/Bag
- TERMINAL
  - Part No. : JS-1252-T
  - Applicable Wires : AWG# 28 - 32
  - Material : Phos. Bronze
  - Finish : Tin Plated
  - Thickness : 0.15mm
  - Q'ty : 15,000 pcs/Reel



# 1.25mm (.049") Crimp Style Board-In Connectors

## Housing

JS-1252

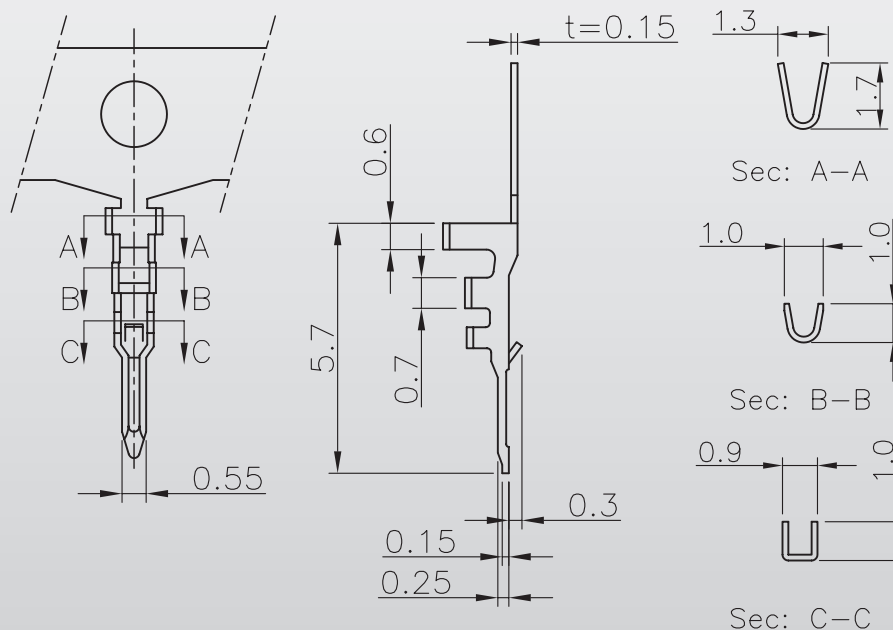


Poles	Part No.	Dimensions (mm)	
	JS-1252	A	B
2	JS-1252-02	1.25	3.00
3	JS-1252-03	2.50	4.25
4	JS-1252-04	3.75	5.50
5	JS-1252-05	5.00	6.75
6	JS-1252-06	6.25	8.00
7	JS-1252-07	7.50	9.25
8	JS-1252-08	8.75	10.50

Poles	Part No.	Dimensions (mm)	
	JS-1252	A	B
9	JS-1252-09	10.00	11.75
10	JS-1252-10	11.25	13.00
11	JS-1252-11	12.50	14.25
12	JS-1252-12	13.75	15.50
13	JS-1252-13	15.00	16.75
14	JS-1252-14	16.25	18.00
15	JS-1252-15	17.50	19.25

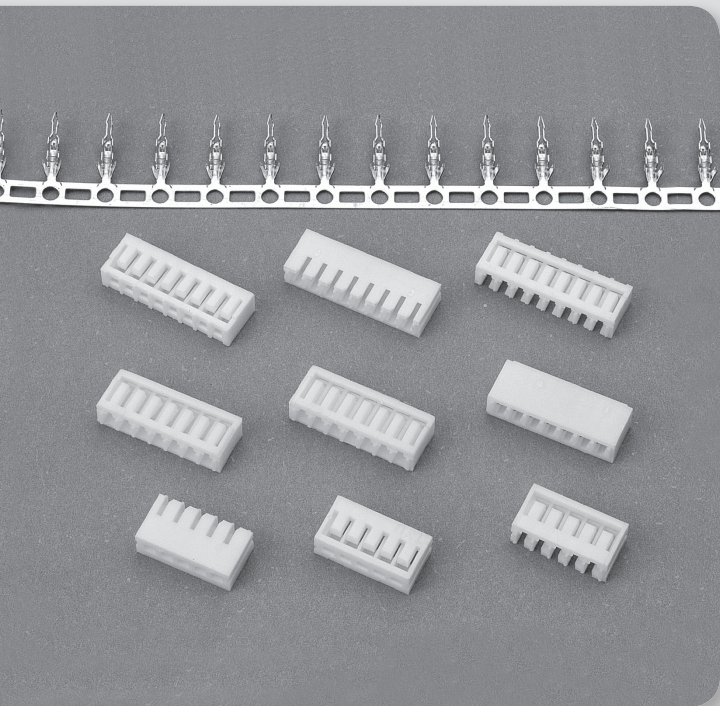
## Terminal

JS-1252-T





# 2.00mm (.079") Crimp Style Board-In Connectors



## Specifications

- Voltage Rating : 250V AC/DC
- Current Rating : 2A AC/DC
- Withstanding Voltage : 800V AC/minute
- Insulation Resistance : 1,000M $\Omega$  min.
- Temperature Range : -25°C to + 85°C
- Contact Resistance : 20m $\Omega$  max.

## Features:

### ■ HOUSING

Part No. : JS-1130-XX

JS-1130R-XX

Poles : 2 - 16

Material : Nylon 66 UL94V-0

Q,ty : 1,000 pcs/Bag

### ■ TERMINAL

Part No. : JS-1130-TP

JS-1130R-TP

Applicable Wires : AWG# 24 - 30

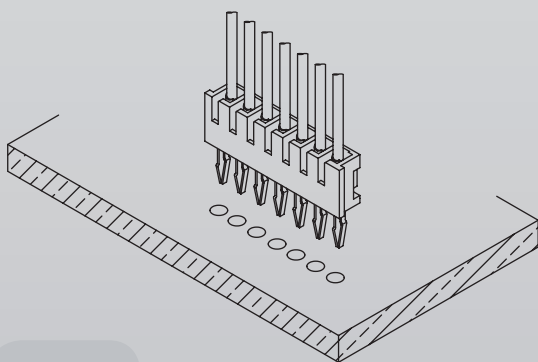
Material : Brass, Phos. Bronze

Finish : Pre-Stamping / Tin Plated

Thickness : 0.2mm

Q,ty : 15,000 pcs./Reel (For JS-1130R-TP)

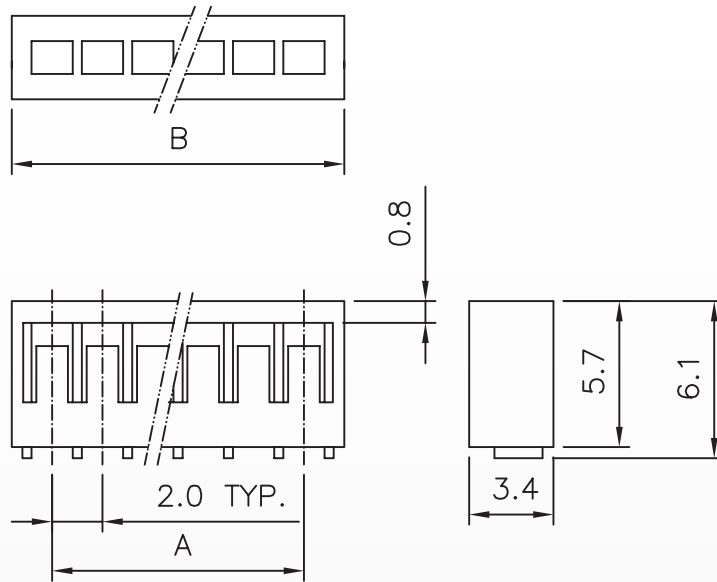
10,000 pcs./Reel (For JS-1130-TP)





# 2.00mm (.079") Crimp Style Board-In Connectors

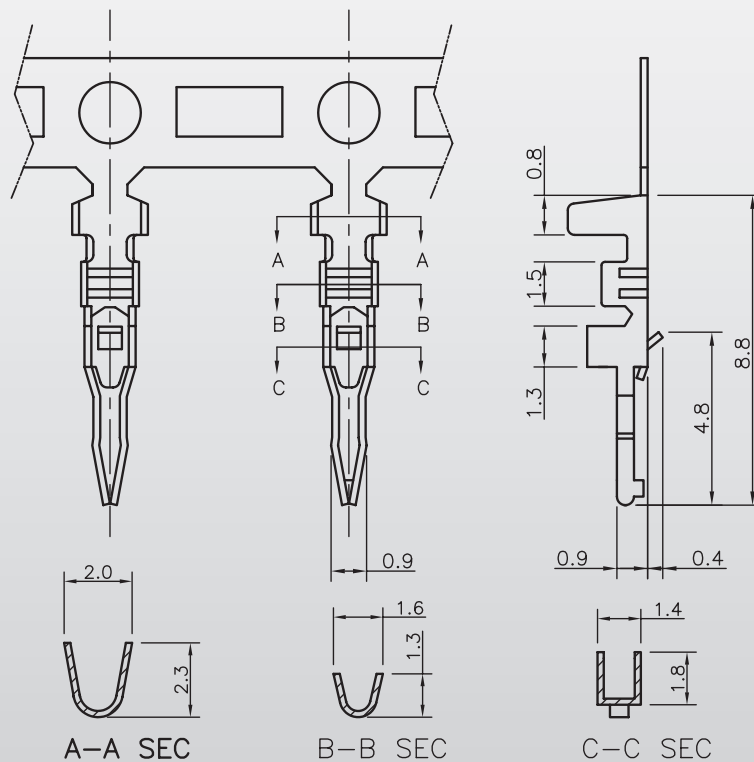
## Housing - Straight JS-1130



Poles	Part No.		Dimensions (mm)	
	JS-1130	JS-1130R	A	B
2	JS-1130-02	JS-1130R-02	2.00	5.20
3	JS-1130-03	JS-1130R-03	4.00	7.20
4	JS-1130-04	JS-1130R-04	6.00	9.20
5	JS-1130-05	JS-1130R-05	8.00	11.20
6	JS-1130-06	JS-1130R-06	10.00	13.20
7	JS-1130-07	JS-1130R-07	12.00	15.20
8	JS-1130-08	JS-1130R-08	14.00	17.20
9	JS-1130-09	JS-1130R-09	16.00	19.20

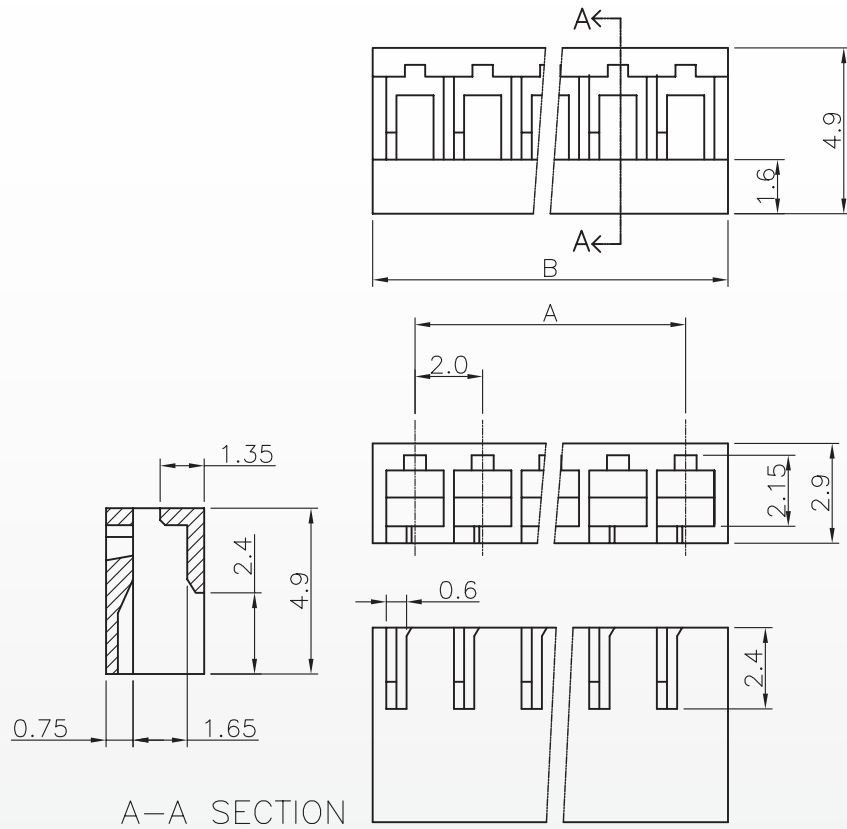
Poles	Part No.		Dimensions (mm)	
	JS-1130	JS-1130R	A	B
10	JS-1130-10	JS-1130R-10	18.00	21.20
11	JS-1130-11	JS-1130R-11	20.00	23.20
12	JS-1130-12	JS-1130R-12	22.00	25.20
13	JS-1130-13	JS-1130R-13	24.00	27.20
14	JS-1130-14	JS-1130R-14	26.00	29.20
15	JS-1130-15	JS-1130R-15	28.00	31.20
16	JS-1130-16	JS-1130R-16	30.00	33.20

## Terminal - Straight JS-1130-TP

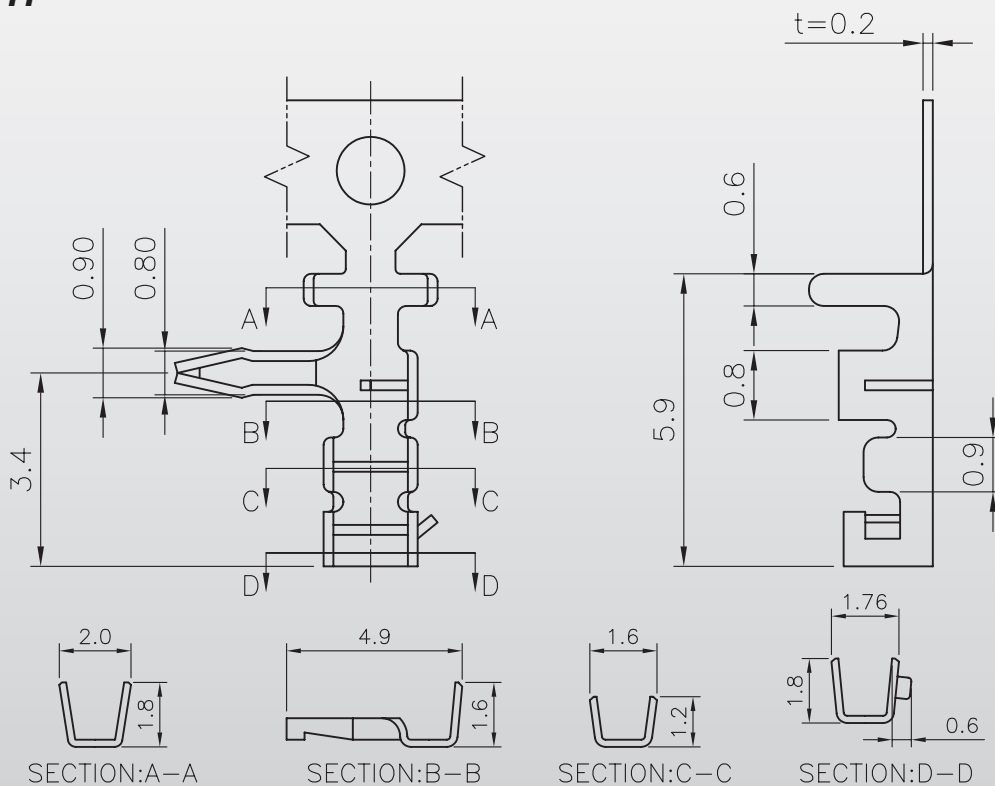


# 2.00mm (.079") Crimp Style Board-In Connectors

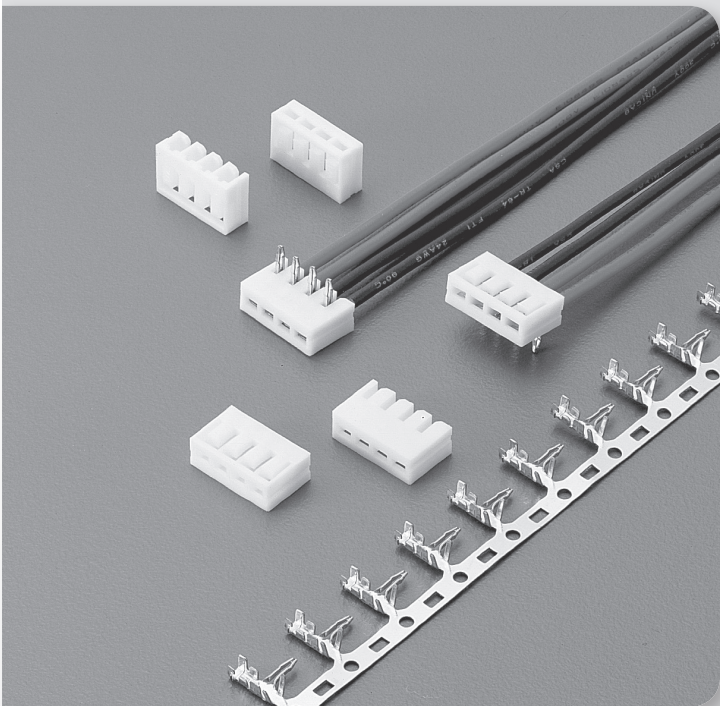
## Housing - Right Angle JS-1130R



## Terminal - Right Angle JS-1130R-TP



# 2.50mm (.098") Crimp Style Board-In Connectors



## Specifications

- Voltage Rating : 250V AC/DC
- Current Rating : 3A AC/DC
- Withstanding Voltage : 800V AC/minute
- Insulation Resistance : 1,000M $\Omega$  min.
- Temperature Range : -25°C to + 85°C
- Contact Resistance : 20m $\Omega$  max.

## Features:

### ■ HOUSING

Part No. : JS-1137, JS-1137B (Straight)  
JS-1137R (Right Angle)

Poles : 2 - 16

Material : Nylon 66 UL94V-0

Q,ty : 1,000 pcs/Bag

### ■ TERMINAL

Part No. : JS-1137R-TP

JS-1137-TP

JS-1137B-TP

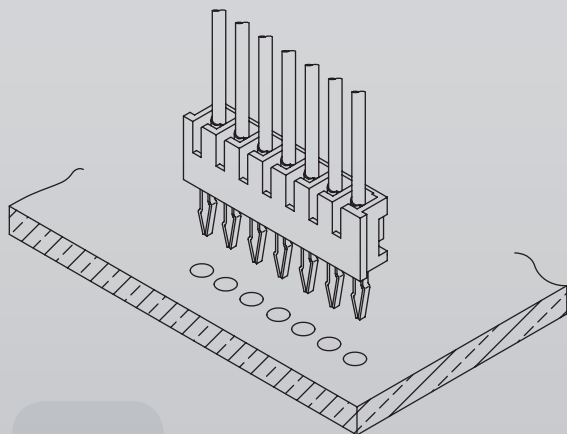
Applicable Wires : AWG# 22 - 30

Material : Brass

Finish : Pre-Stamping/Tin plated

Thickness : 0.2mm

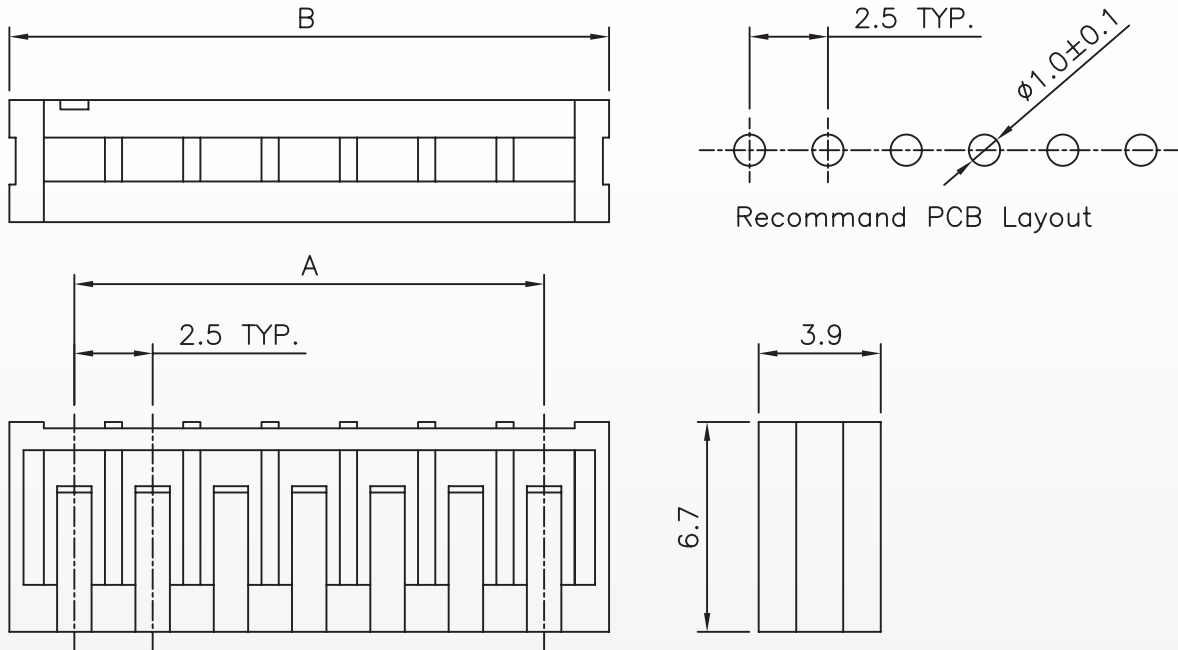
Q,ty : 10,000 pcs/Reel



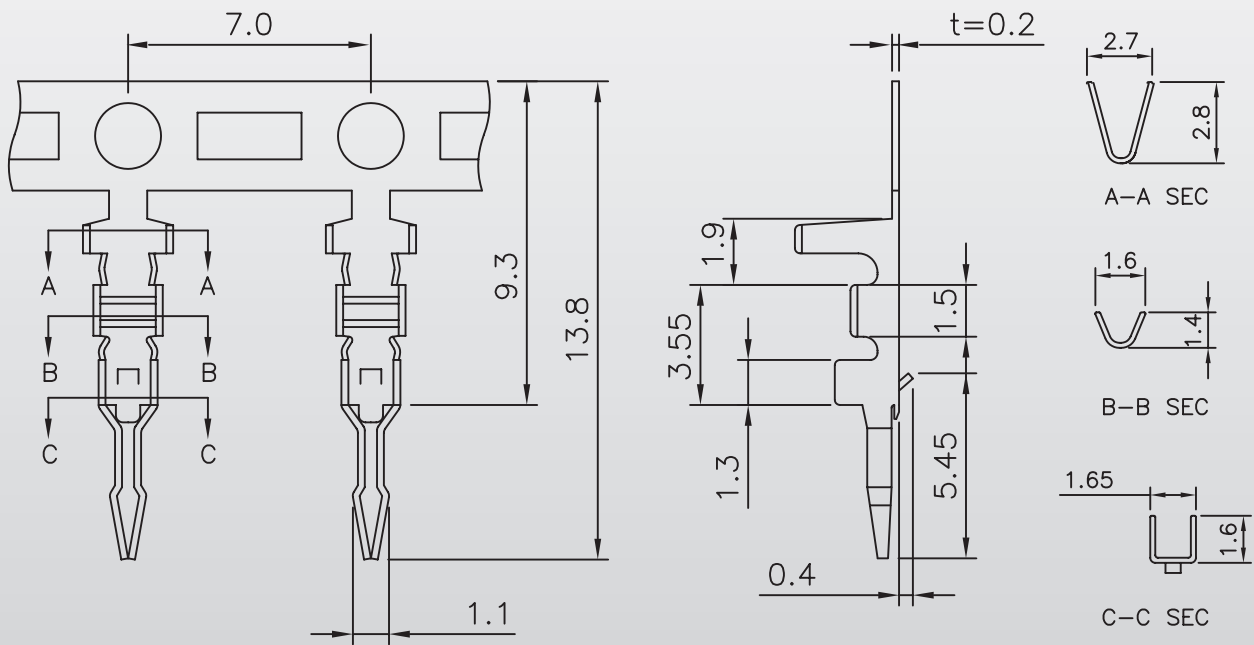
B

# 2.50mm (.098") Crimp Style Board-In Connectors

## Housing - Straight JS-1137

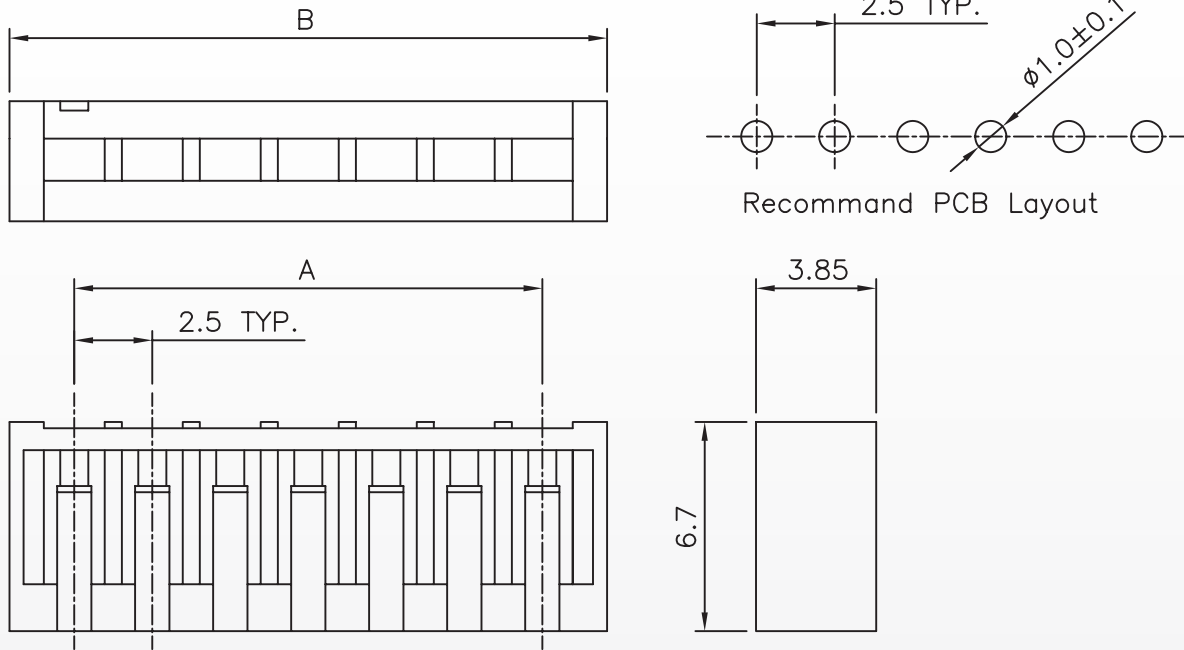


## Terminal JS-1137-TP

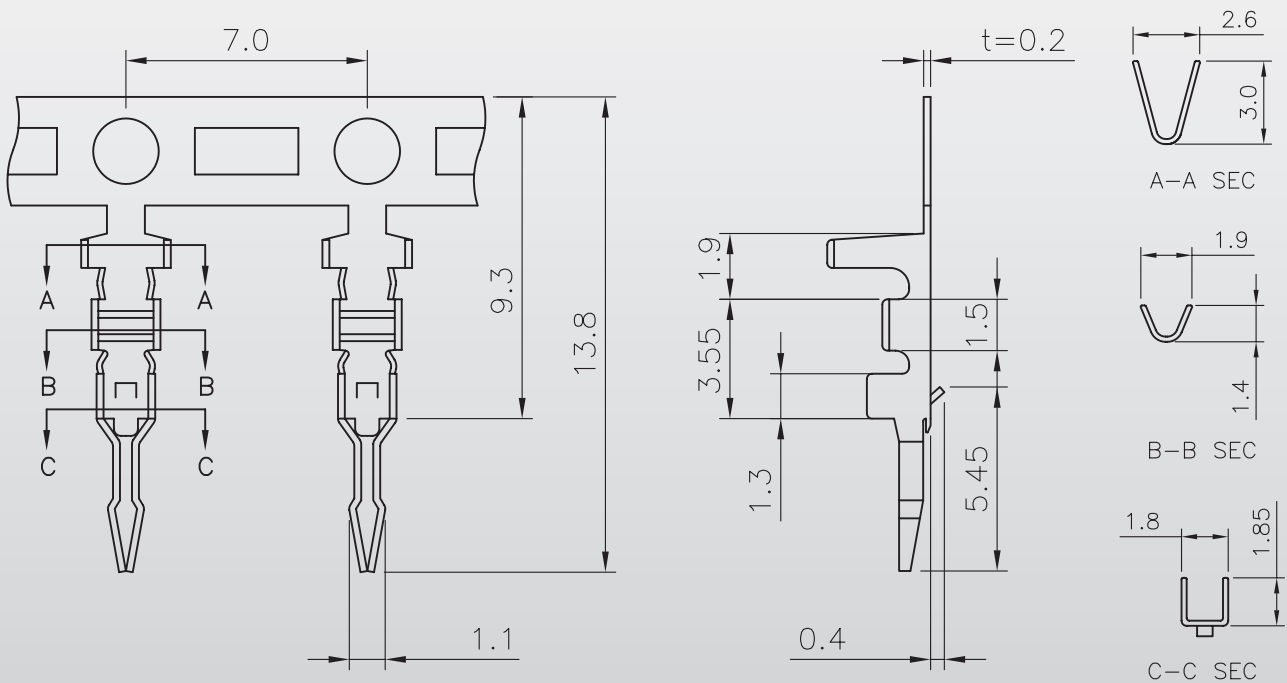


# 2.50mm (.098") Crimp Style Board-In Connectors

## Housing - Straight JS-1137B



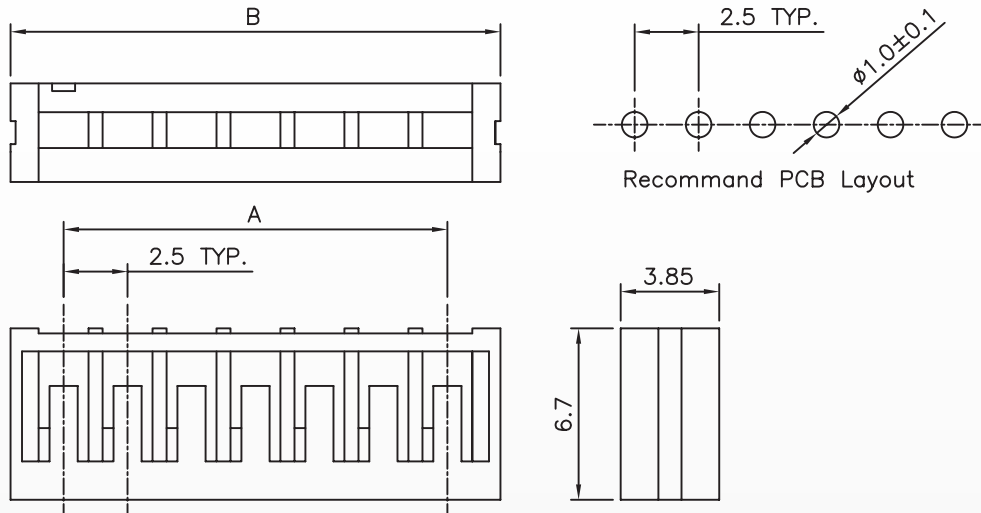
## Terminal JS-1137B-TP



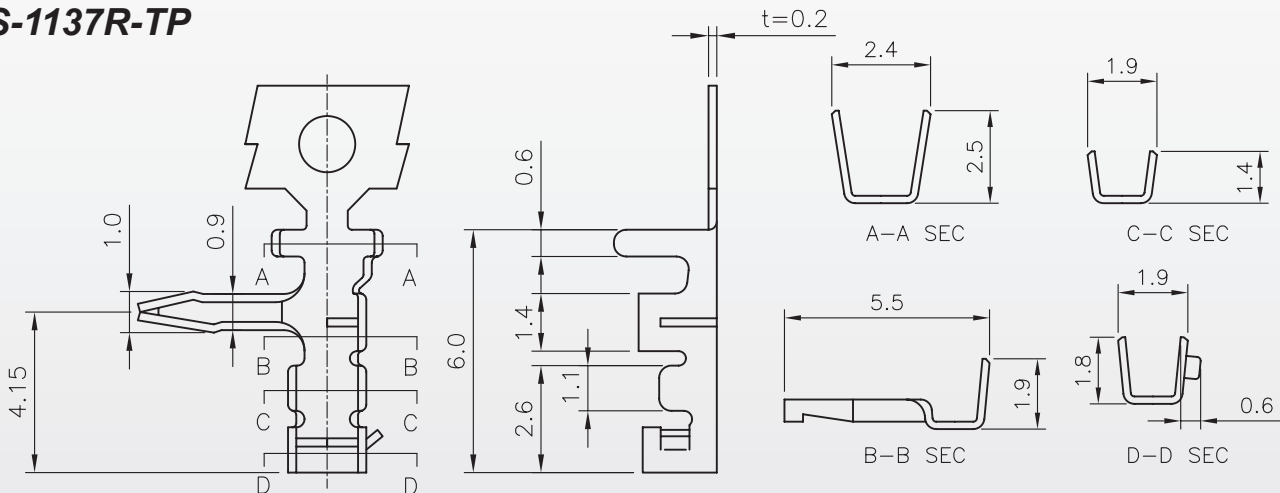


# 2.50mm (.098") Crimp Style Board-In Connectors

## Housing - Right Angle JS-1137R

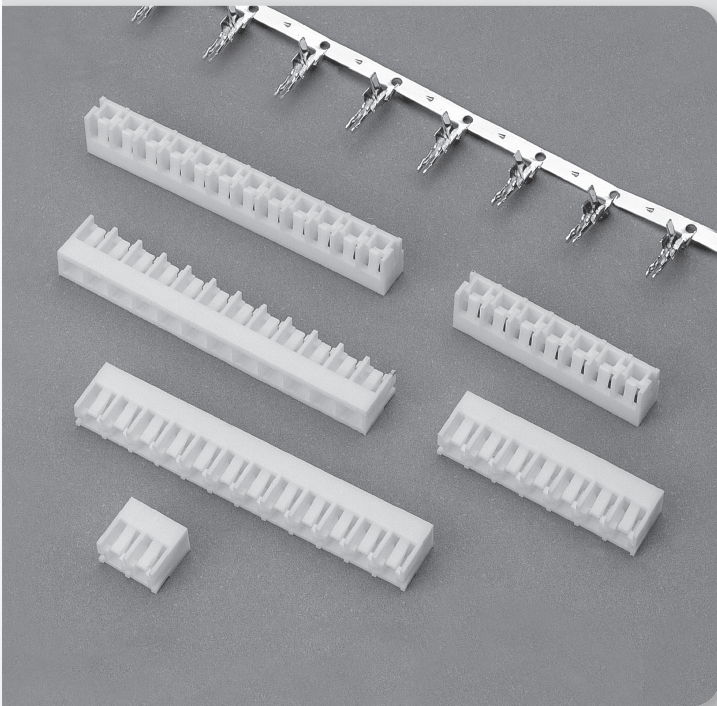


## Terminal JS-1137R-TP



Poles	Part No.			Dimensions (mm)	
	JS-1137	JS-1137B	JS-1137R	A	B
2	JS-1137-02	JS-1137B-02	JS-1137R-02	2.50	6.50
3	JS-1137-03	JS-1137B-03	JS-1137R-03	5.00	9.00
4	JS-1137-04	JS-1137B-04	JS-1137R-04	7.50	11.50
5	JS-1137-05	JS-1137B-05	JS-1137R-05	10.00	14.00
6	JS-1137-06	JS-1137B-06	JS-1137R-06	12.50	16.50
7	JS-1137-07	JS-1137B-07	JS-1137R-07	15.00	19.00
8	JS-1137-08	JS-1137B-08	JS-1137R-08	17.50	21.50
9	JS-1137-09	JS-1137B-09	JS-1137R-09	20.00	24.00
10	JS-1137-10	JS-1137B-10	JS-1137R-10	22.50	26.50
11	JS-1137-11	JS-1137B-11	JS-1137R-11	25.00	29.00
12	JS-1137-12	JS-1137B-12	JS-1137R-12	27.50	31.50
13	JS-1137-13	JS-1137B-13	JS-1137R-13	30.00	34.00
14	JS-1137-14	JS-1137B-14	JS-1137R-14	32.50	36.50
15	JS-1137-15	JS-1137B-15	JS-1137R-15	35.00	39.00
16	JS-1137-16	JS-1137B-16	JS-1137R-16	37.50	41.50

# 3.96mm (.156") Crimp Style Board-In Connectors

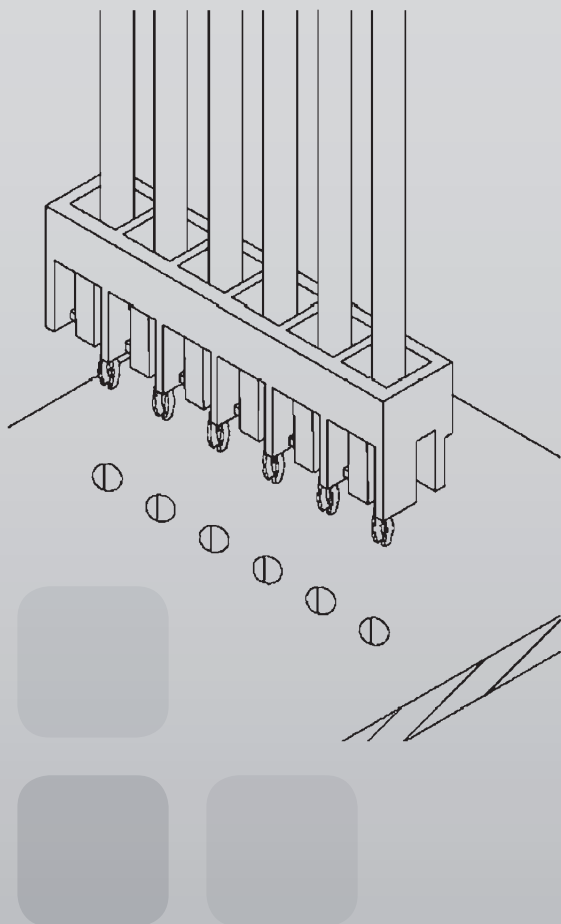


## Specifications

- Voltage Rating : 300V AC/DC
- Current Rating : 7A AC/DC
- Withstanding Voltage : 1,500V AC/minute
- Insulation Resistance : 1,000M $\Omega$  min.
- Temperature Range : -25°C to + 85°C
- Contact Resistance : 20m $\Omega$  max.

## Features:

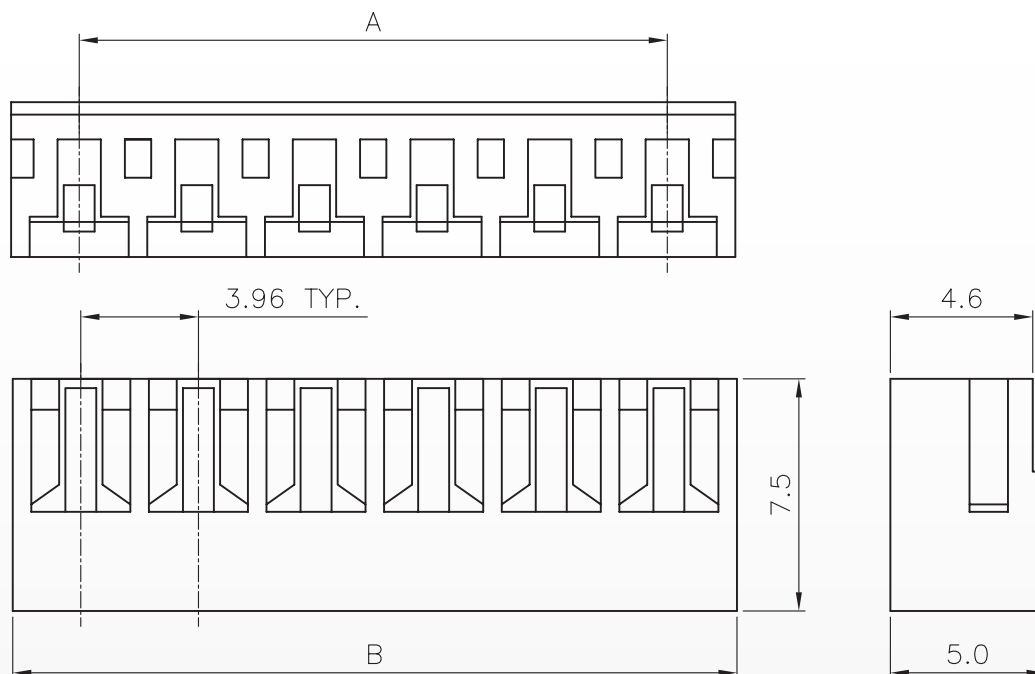
- HOUSING
  - Part No. : JS-4008-XX
  - Poles : 2 - 15
  - Material : Nylon 66 UL94V-0
  - Q'ty : 1,000 pcs/Bag
- TERMINAL
  - Part No. : JS-4008-TP
  - Applicable Wires : AWG# 16 - 22
  - Material : Brass
  - Finish : Pre-Stamping/Tin Plated
  - Thickness : 0.25mm
  - Q'ty : 4,500 pcs/Reel



B

# 3.96mm (.156") Crimp Style Board-In Connectors

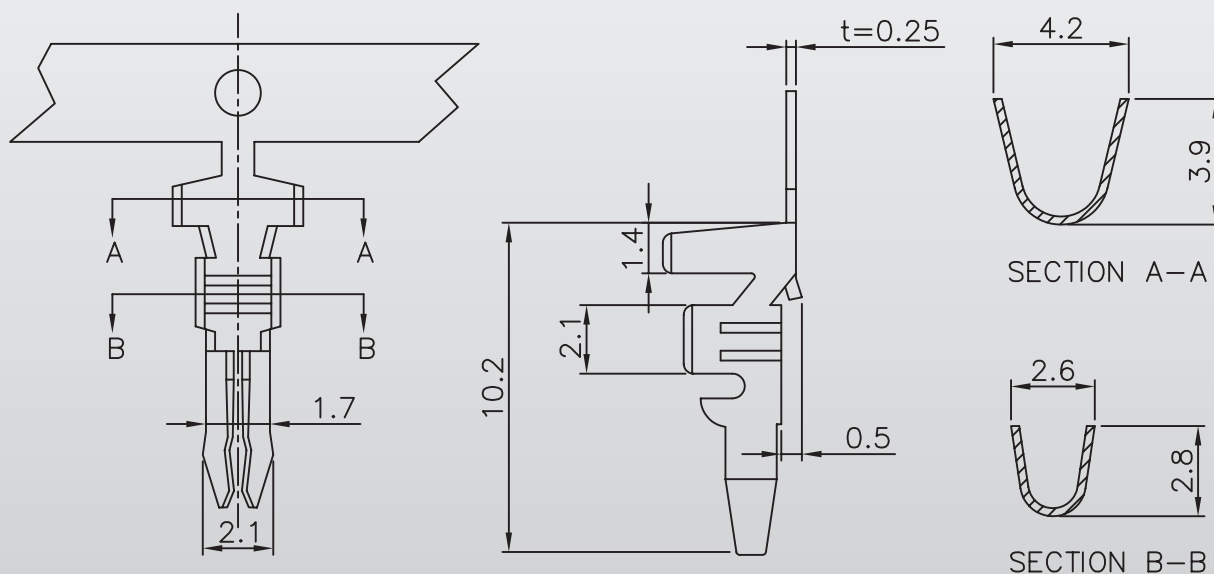
## Housing JS-4008



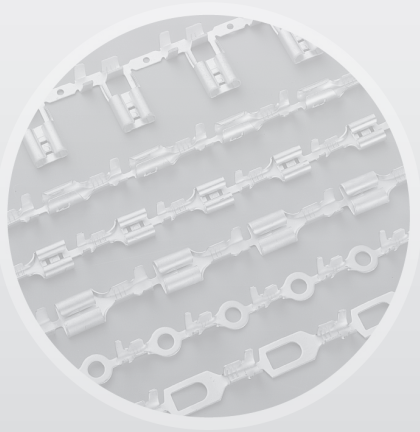
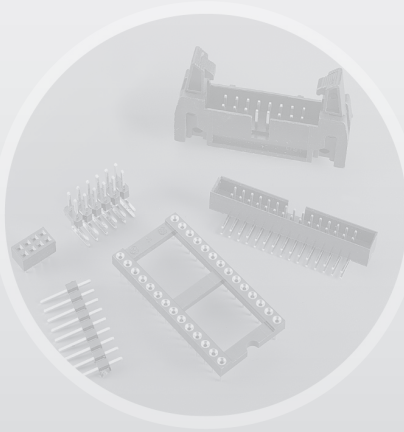
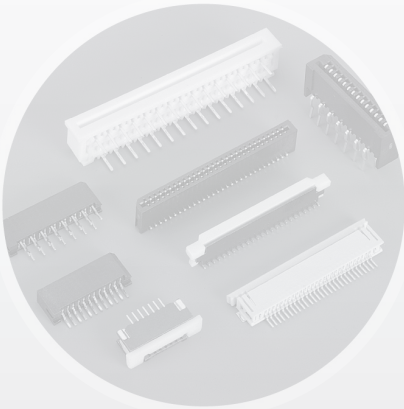
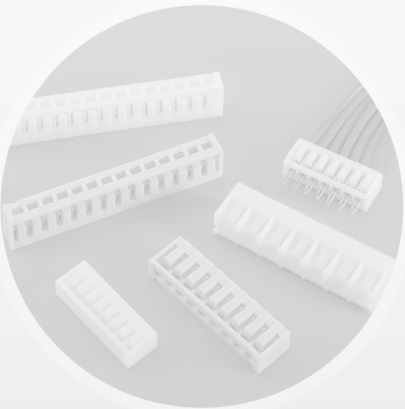
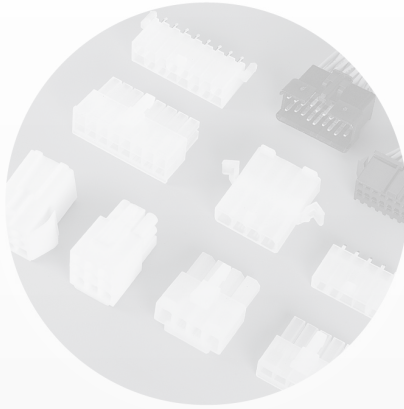
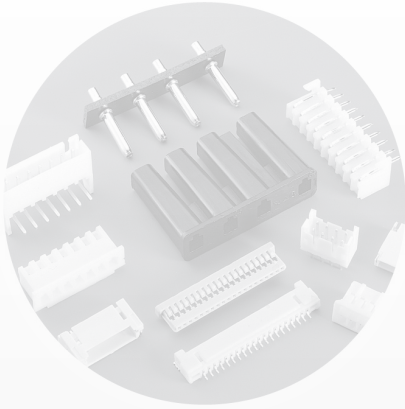
Poles	Part No.	Dimensions (mm)	
	JS-4008	A	B
2	JS-4008-02	3.96	8.56
3	JS-4008-03	7.92	12.52
4	JS-4008-04	11.88	16.48
5	JS-4008-05	15.84	20.44
6	JS-4008-06	19.80	24.40
7	JS-4008-07	23.76	28.36
8	JS-4008-08	27.72	32.32

Poles	Part No.	Dimensions (mm)	
	JS-4008	A	B
9	JS-4008-09	31.68	36.28
10	JS-4008-10	35.64	40.24
11	JS-4008-11	39.60	44.20
12	JS-4008-12	43.56	48.16
13	JS-4008-13	47.52	52.12
14	JS-4008-14	51.48	56.08
15	JS-4008-15	55.44	60.04

## Terminal JS-4008-TP



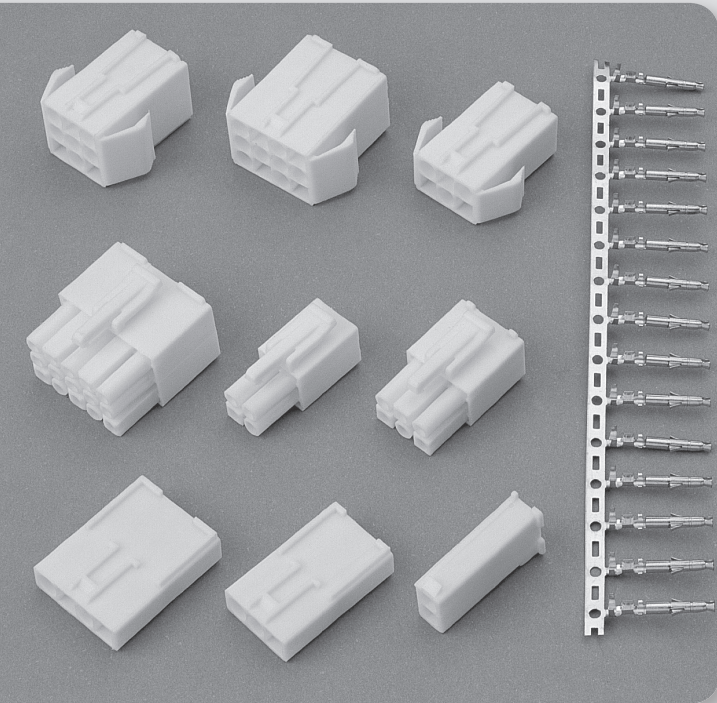
# MEMO



**B**



# 1.30ø Wire to Wire Power Connectors



## Specifications

- Voltage Rating : 300V AC/DC
- Current Rating : 9A-12A AC/DC
- Withstanding Voltage : 1,500V AC/minute
- Insulation Resistance : 1,000MΩ min.
- Temperature Range : -25°C to + 90°C
- Contact Resistance : 20mΩ max.

## Features:

### ■ HOUSING

Part No. : JS-2313, JS-2413, JS-2413-xxE

Poles : 2, 3, 4, 6, 9, 12, 15

Material : Nylon 66 UL94V-0

Q,ty : 1,000 pcs/Bag

### ■ TERMINAL

Part No. : JS-23131BS-2, JS-24131BS-2

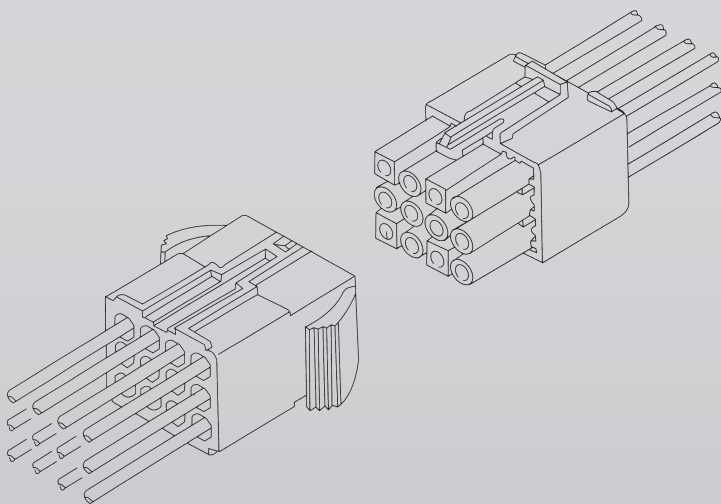
Applicable Wires : AWG# 16 - 24

Material : Phos. Bronze

Finish : Tin Plated

Thickness : 0.2mm

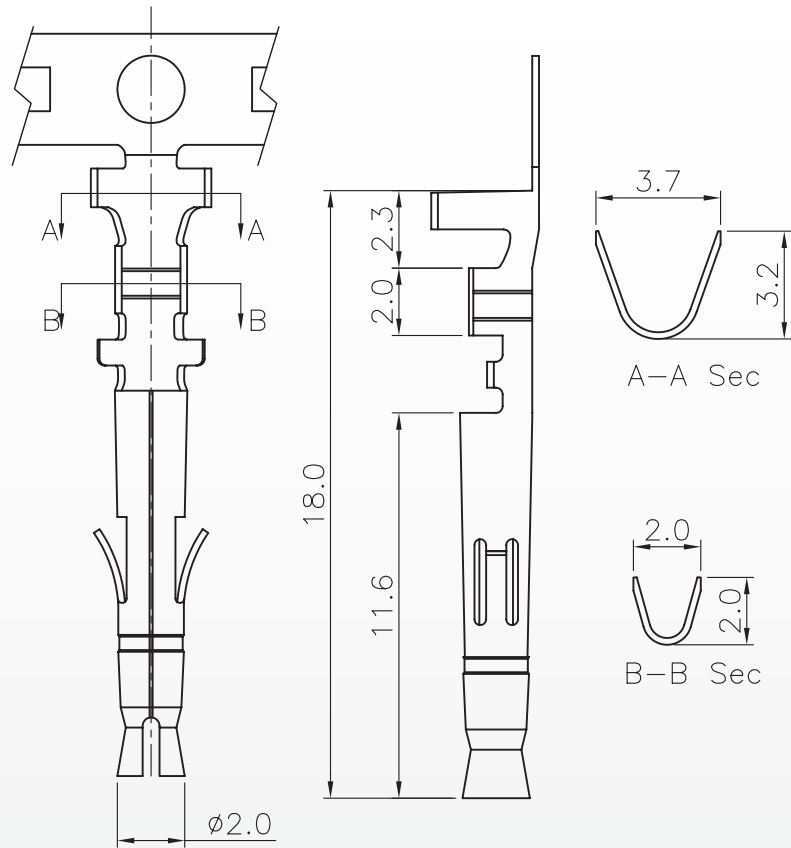
Q'ty : 7,000 pcs/Reel



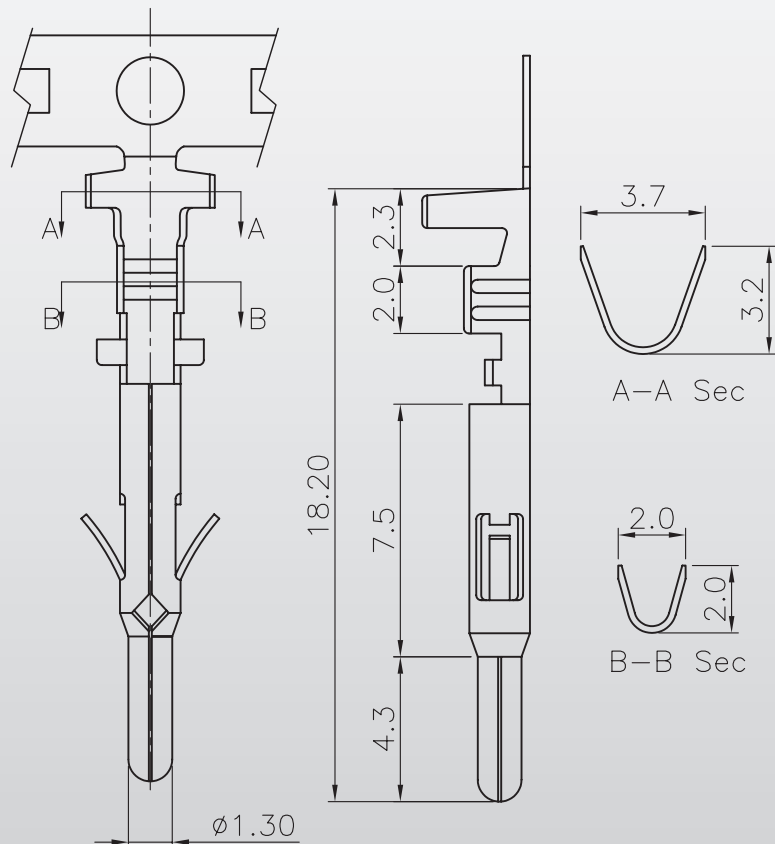


# 1.30ø Wire to Wire Power Connectors

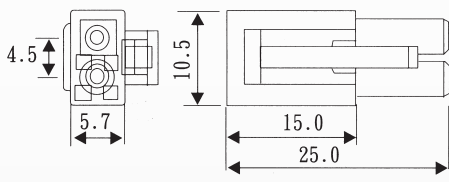
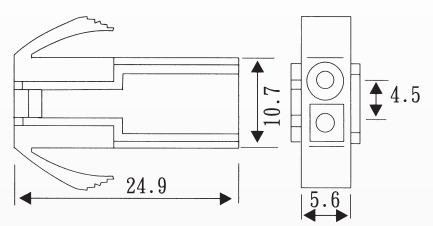
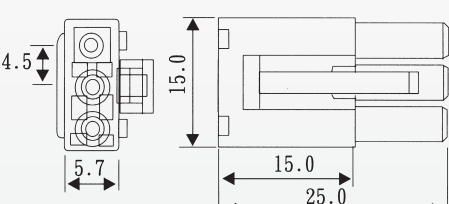
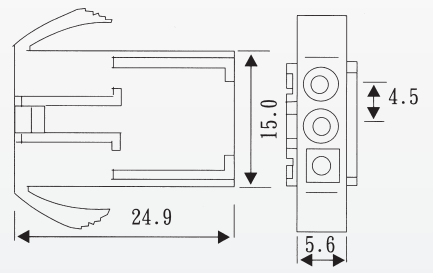
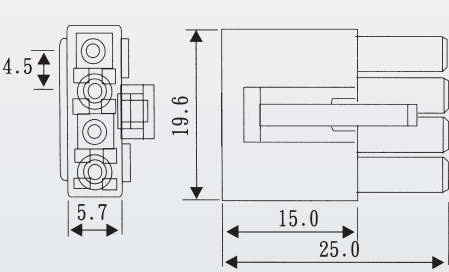
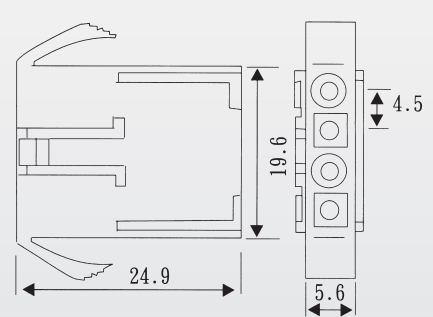
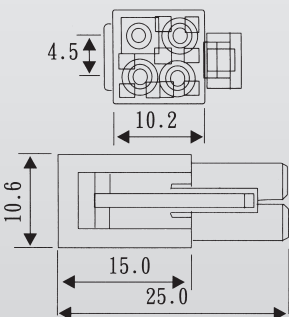
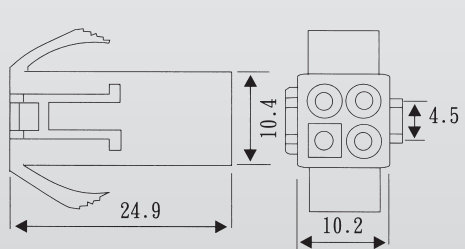
## Terminal JS-23131BS-2



## Terminal JS-24131BS-2



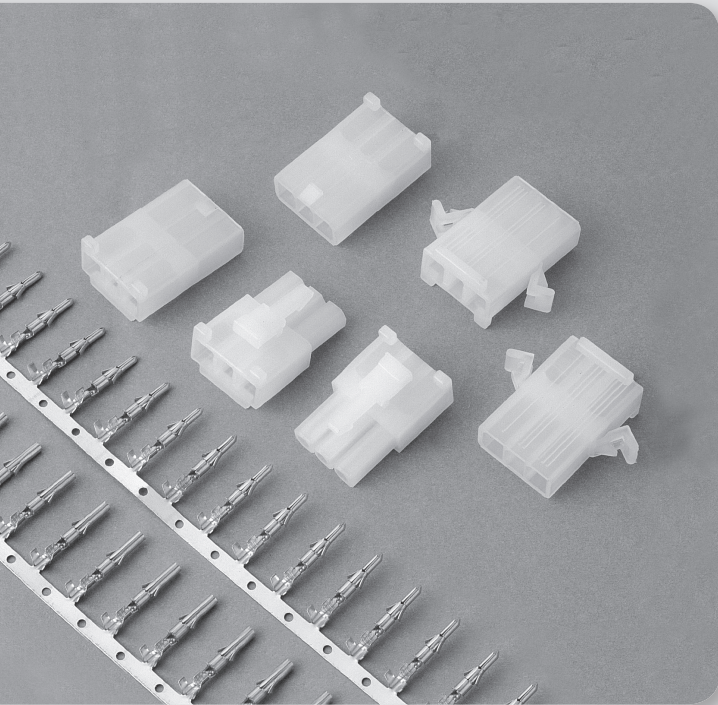
# 1.30ø Wire to Wire Power Connectors

Poles	Max. Rated		Dimension Information	
	Amps	Voltage	Plug	Receptacle W/O Mfg. ears or W/Mfg. ears
2	12A	300V	<b>JS-2313-02</b> 	<b>JS-2413-02 \ JS-2413-02E</b> 
3	12A	300V	<b>JS-2313-03</b> 	<b>JS-2413-03 \ JS-2413-03E</b> 
4	11A	300V	<b>JS-2313-04</b> 	<b>JS-2413-04 \ JS-2413-04E</b> 
4	11A	300V	<b>JS-2313-2x2</b> 	<b>JS-2413-2x2 \ JS-2413-2x2E</b> 

# 1.30ø Wire to Wire Power Connectors

Poles	Max. Rated		Dimension Information	
	Amps	Voltage	Plug	Receptacle W/O Mfg. ears or W/Mfg. ears
6	11A	300V	<p><b>JS-2313-06</b></p>	<p><b>JS-2413-06 \ JS-2413-06E</b></p>
9	10A	300V	<p><b>JS-2313-09</b></p>	<p><b>JS-2413-09 \ JS-2413-09E</b></p>
12	9A	300V	<p><b>JS-2313-12</b></p>	<p><b>JS-2413-12 \ JS-2413-12E</b></p>
15	9A	300V	<p><b>JS-2313-15</b></p>	<p><b>JS-2413-15 \ JS-2413-15E</b></p>

# 1.58ø Wire to Wire Power Connectors



## Specifications

- Voltage Rating : 250V AC/DC
- Current Rating : 6A
- Withstanding Voltage : 1,500V AC/minute
- Insulation Resistance : 1,000MΩ min.
- Temperature Range : -25°C to + 85°C
- Contact Resistance : 20mΩ max.

## Features:

### ■ HOUSING

Part No. : JS-23158A

JS-23158A-xxE

JS-24158A

Poles : 2, 3, 4, 6, 9,12,15

Material : Nylon 66 UL94V-2

Q,ty : 1,000 pcs/Bag

### ■ TERMINAL

Part No. : JS-23158BS-2, JS-24158BS-2

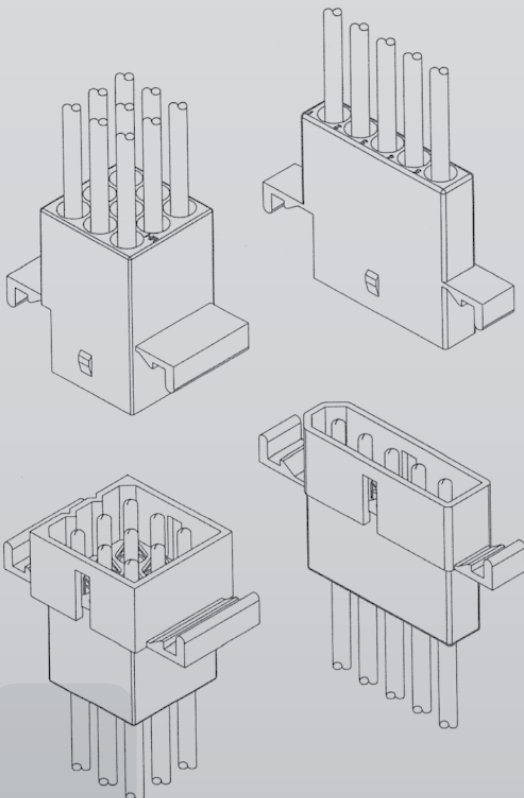
Applicable Wires : AWG# 18 - 24

Material : Phos.Bronze

Finish : Tin Plated

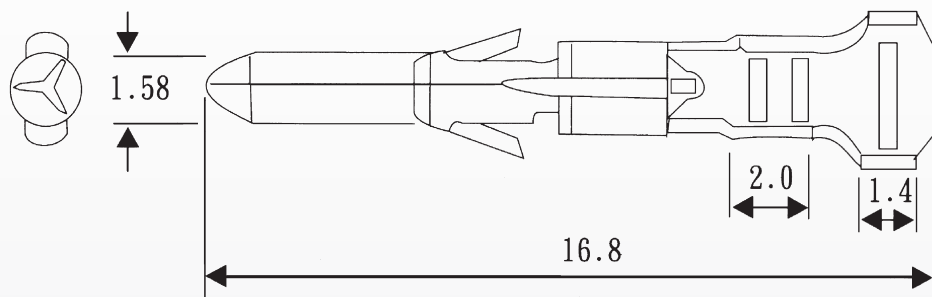
Thickness : 0.25mm

Q'ty : 7,000 pcs/Reel

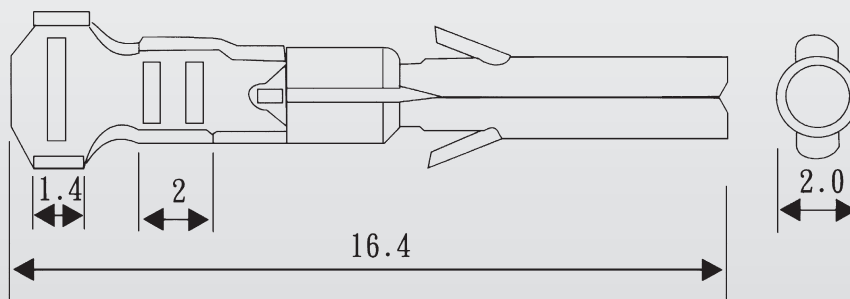


# 1.58 $\phi$ Wire to Wire Power Connectors

## **Terminal** **JS-23158BS-2**



## **Terminal** **JS-24158BS-2**



C



# 1.58ø Wire to Wire Power Connectors

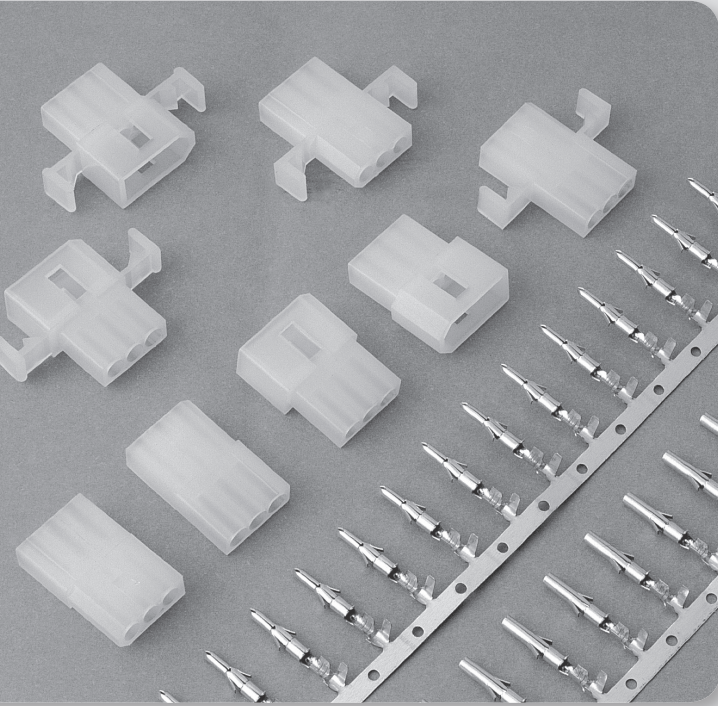
Dimension Information		
Poles	Receptacle W/O Mfg. ears or W/Mfg. ears	Plug
2	<p><b>JS-23158A-02 \ JS-23158A-02E</b></p>	<p><b>JS-24158A-02</b></p>
3	<p><b>JS-23158A-03 \ JS-23158A-03E</b></p>	<p><b>JS-24158A-03</b></p>
4	<p><b>JS-23158A-04 \ JS-23158A-04E</b></p>	<p><b>JS-24158A-04</b></p>

# 1.58ø Wire to Wire Power Connectors

Dimension Information		
Poles	Receptacle W/O Mfg. ears or W/Mfg. ears	Plug
6	<b>JS-23158A-06 \ JS-23158A-06E</b> 	<b>JS-24158A-06</b> 
9	<b>JS-23158A-09 \ JS-23158A-09E</b> 	<b>JS-24158A-09</b> 
12	<b>JS-23158A-12 \ JS-23158A-12E</b> 	<b>JS-24158A-12</b> 
15	<b>JS-23158A-15 \ JS-23158A-15E</b> 	<b>JS-24158A-15</b> 

C

# 1.58ø Wire to Wire Power Connectors



## Specifications

- Voltage Rating : 250V AC/DC
- Current Rating : 6A AC/DC
- Withstanding Voltage : 1,500V AC/minute
- Insulation Resistance : 1,000MΩ min.
- Temperature Range : -25°C to + 85°C
- Contact Resistance : 20mΩ max.

## Features:

### ■ HOUSING

Part No. : JS-23158

JS-23158B-xxE

JS-24158

JS-24158B-xxE

Poles : 1, 2, 3, 4, 5, 6, 9, 12, 15

Material : Nylon 66 UL94V-2

Q,ty : 1,000 pcs/Bag

### ■ TERMINAL (Please see page C6)

Part No. : JS-23158BS-2, JS-24158BS-2

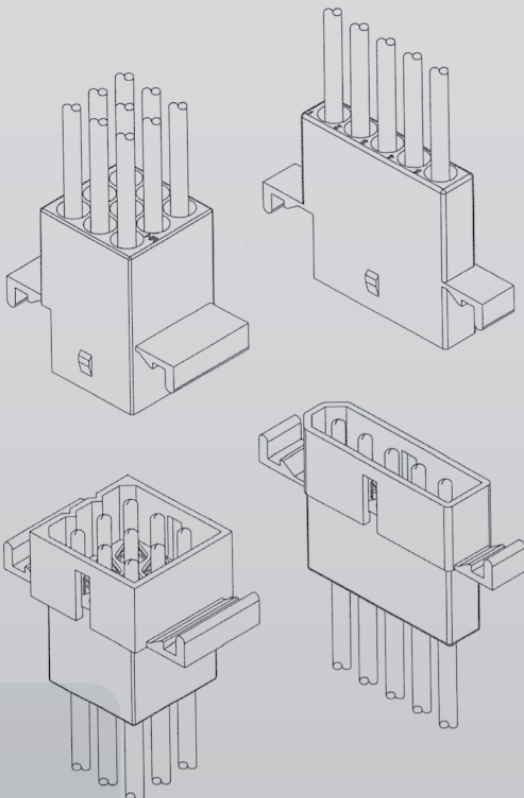
Applicable Wires : AWG# 18 - 24

Material : Phos.Bronze

Finish : Tin Plated

Thickness : 0.25mm

Q'ty : 7,000 pcs/Reel



# 1.58ø Wire to Wire Power Connectors

Dimension Information		
Poles	Receptacle W/O Mfg. ears or W/Mfg. ears	Plug W/O Mfg. ears or W/Mfg. ears
1	<p><b>JS-23158-01</b></p>	<p><b>JS-24158-01</b></p>
2	<p><b>JS-23158-02 \ JS-23158B-02E</b></p>	<p><b>JS-24158-02 \ JS-24158B-02E</b></p>
3	<p><b>JS-23158-03 \ JS-23158B-03E</b></p>	<p><b>JS-24158-03 \ JS-24158B-03E</b></p>

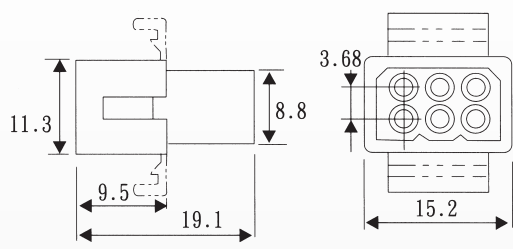
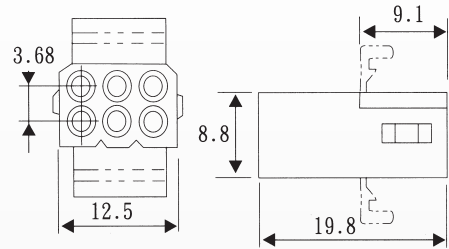
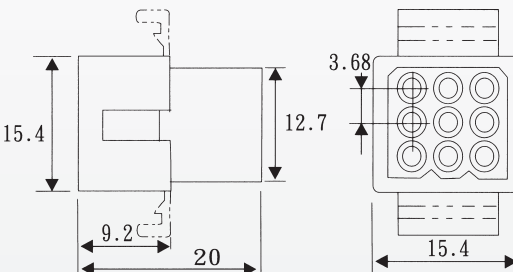
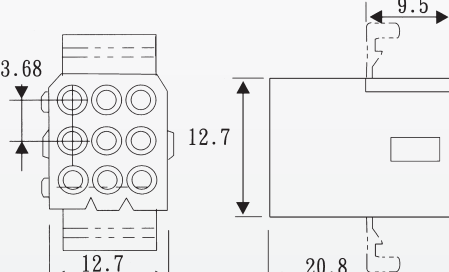
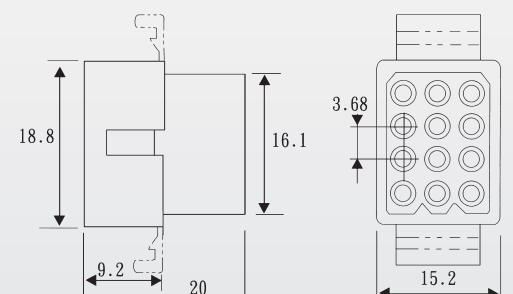
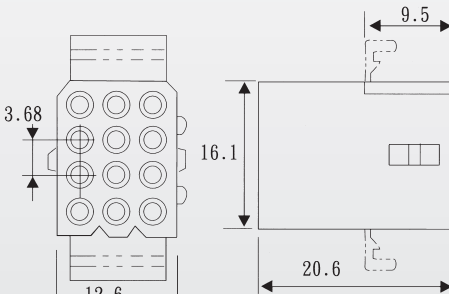
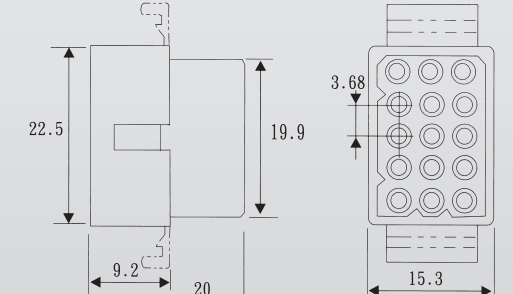
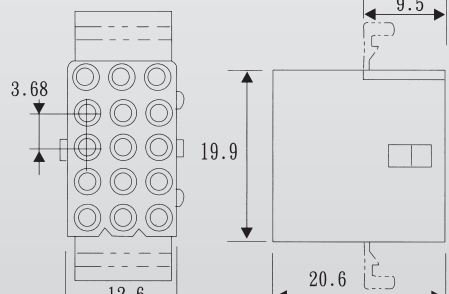
C

# 1.58ø Wire to Wire Power Connectors

Dimension Information		
Poles	Receptacle W/O Mfg. ears or W/Mfg. ears	Plug W/O Mfg. ears or W/Mfg. ears
4	<p><b>JS-23158-04 \ JS-23158B-04E</b></p>	<p><b>JS-24158-04 \ JS-24158B-04E</b></p>
4	<p><b>JS-23158-2x2 \ JS-23158B-2x2E</b></p>	<p><b>JS-24158-2x2 \ JS-24158B-2x2E</b></p>
5	<p><b>JS-23158-05 \ JS-23158B-05E</b></p>	<p><b>JS-24158-05 \ JS-24158B-05E</b></p>

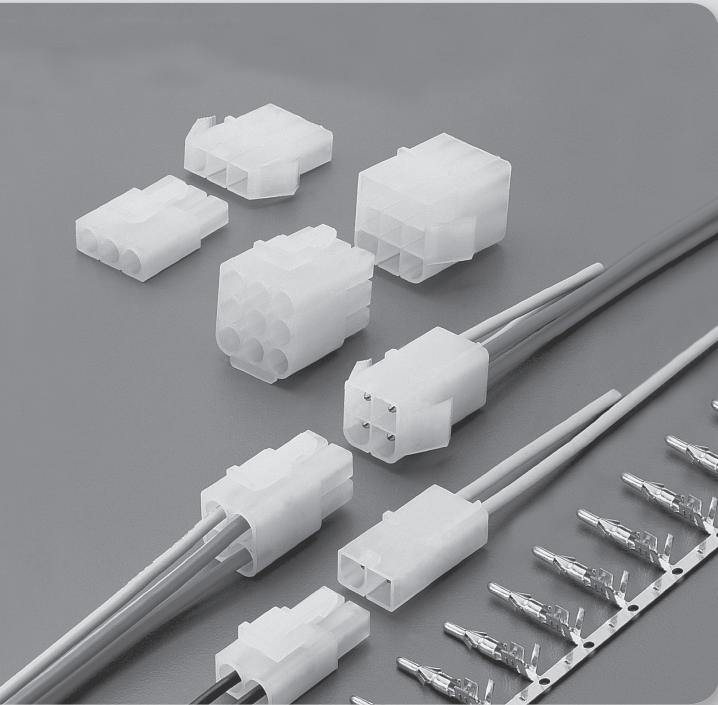


# 1.58ø Wire to Wire Power Connectors

Dimension Information		
Poles	Receptacle W/O Mfg. ears or W/Mfg. ears	Plug W/O Mfg. ears or W/Mfg. ears
6	<p><b>JS-23158-06 \ JS-23158B-06E</b></p> 	<p><b>JS-24158-06 \ JS-24158B-06E</b></p> 
9	<p><b>JS-23158-09 \ JS-23158B-09E</b></p> 	<p><b>JS-24158-09 \ JS-24158B-09E</b></p> 
12	<p><b>JS-23158-12 \ JS-23158B-12E</b></p> 	<p><b>JS-24158-12 \ JS-24158B-12E</b></p> 
15	<p><b>JS-23158-15 \ JS-23158B-15E</b></p> 	<p><b>JS-24158-15 \ JS-24158B-15E</b></p> 

C

# 2.00ø Wire to Wire Power Connectors



## Specifications

- Voltage Rating : 300 - 600V AC/DC
- Current Rating : 9 - 15A AC/DC
- Withstanding Voltage : 1,500V AC/minute
- Insulation Resistance : 1,000MΩ min.
- Temperature Range : -25°C to + 85°C
- Contact Resistance : 20mΩ max.

## Features:

### ■ HOUSING

Part No. : JS-2000H

JS-2000H-xxE

JS-2000W

Poles : 1,2,3,4,6,9,12,15

Material : Nylon 66 UL94V-2

Q,ty : 1,000 pcs/Bag

### ■ TERMINAL

Part No. :

JS-2000H-TH, JS-2000W-TH (AWG# 14 - 18)

JS-2000H-TL, JS-2000W-TL (AWG# 18 - 22)

Material : Brass

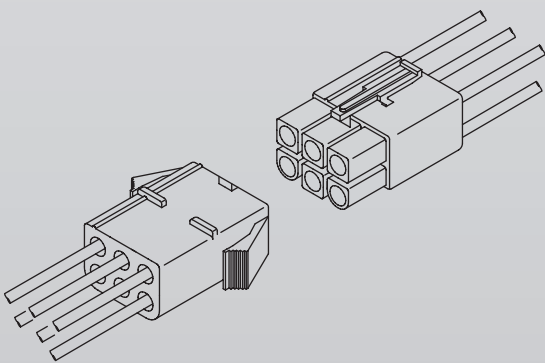
Finish : Tin Plated

Thickness : 0.25mm

Q'ty :

JS-2000H-TH, JS-2000W-TH - 3,500 pcs/Reel

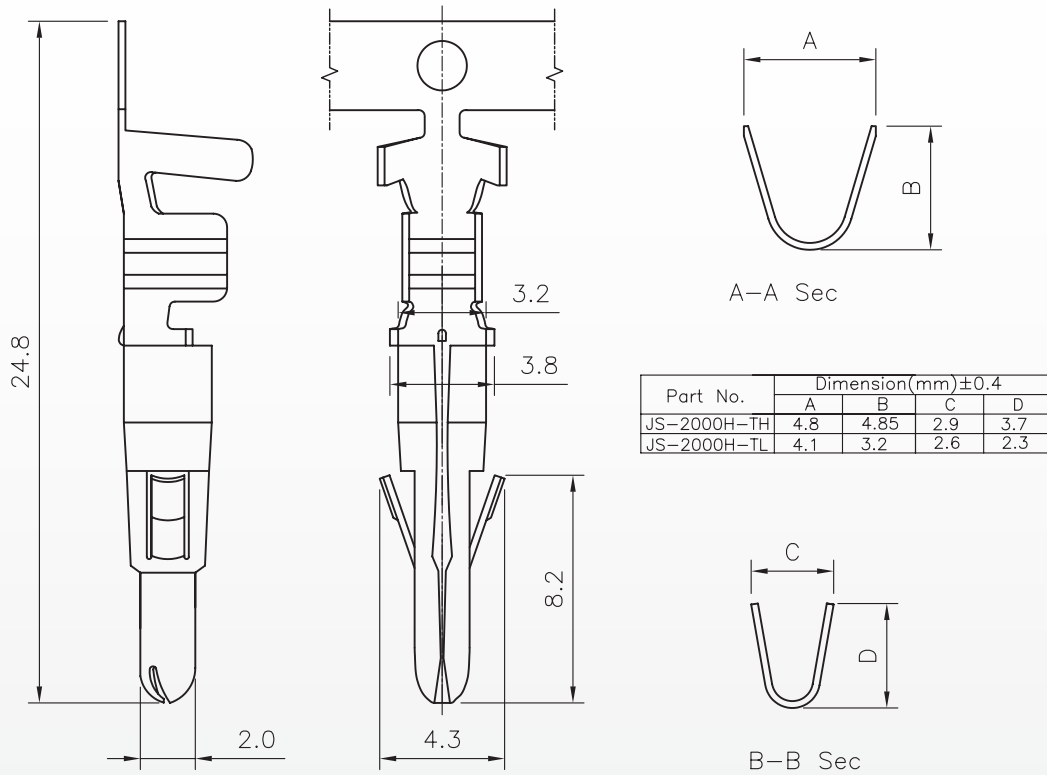
JS-2000H-TL, JS-2000W-TL - 5,000 pcs/Reel



# 2.00ø Wire to Wire Power Connectors

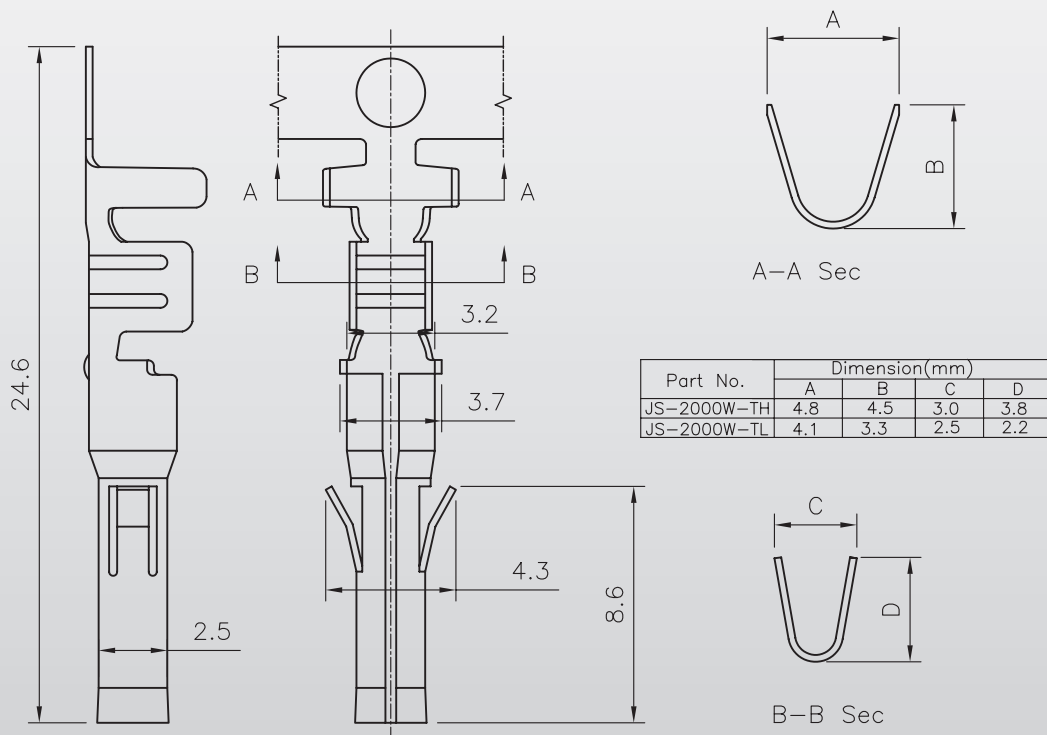
## Terminal

### JS-2000H-TH / TL

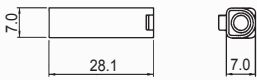
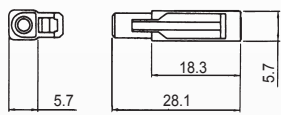
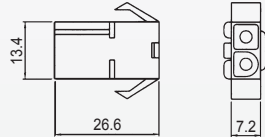
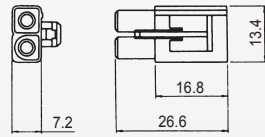
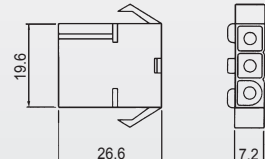
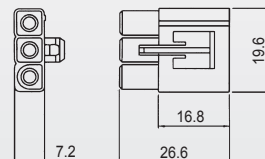
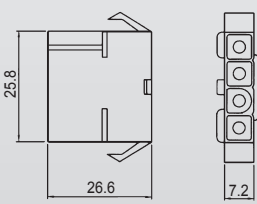
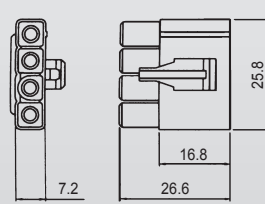


## Terminal

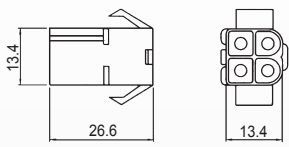
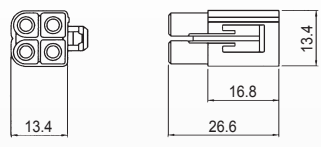
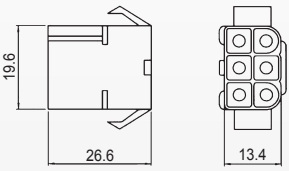
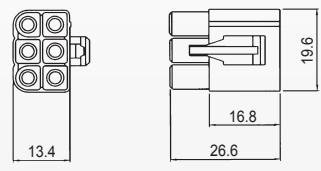
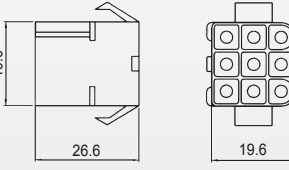
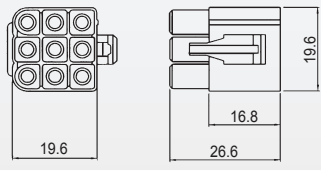
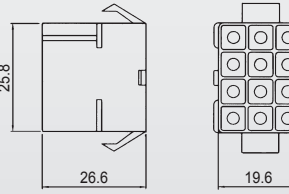
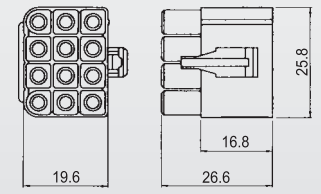
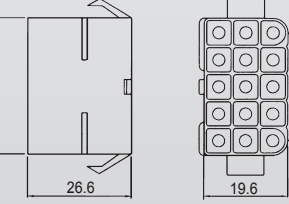
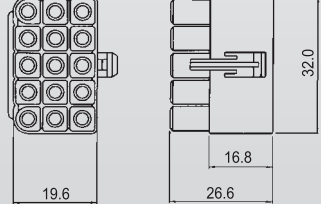
### JS-2000W-TH / TL



# 2.00ø Wire to Wire Power Connectors

Poles	Max. Rated		Dimension Information	
	Amps	Voltage	Receptacle W/O Mfg. ears or W/Mfg. ears	Plug
1	15A	600V	<b>JS-2000H-01</b> 	<b>JS-2000W-01</b> 
2	15A	300V	<b>JS-2000H-02 \ JS-2000H-02E</b> 	<b>JS2000W-02</b> 
3	14A	300V	<b>JS-2000H-03E</b> 	<b>JS-2000W-03</b> 
4	13A	300V	<b>JS-2000H-04E</b> 	<b>JS-2000W-04</b> 

# 2.00ø Wire to Wire Power Connectors

Poles	Max. Rated		Dimension Information	
	Amps	Voltage	Receptacle W/Mfg. ears	Plug
4	13A	300V	<b>JS-2000H-2X2E</b> 	<b>JS-2000W-2X2</b> 
6	12A	300V	<b>JS-2000H-2X3E</b> 	<b>JS2000W-2X3</b> 
9	10A	300V	<b>JS-2000H-3X3E</b> 	<b>JS-2000W-3X3</b> 
12	9A	300V	<b>JS-2000H-3X4E</b> 	<b>JS-2000W-3X4</b> 
15	9A	300V	<b>JS-2000H-3X5E</b> 	<b>JS-2000W-3X5</b> 



## 2.36ø Wire to Wire Power Connectors

### Specifications

- Voltage Rating : 600V AC/DC
- Current Rating : 9A - 15A AC/DC
- Withstanding Voltage : 1,500V AC/minute
- Insulation Resistance : 1,000MΩ min.
- Temperature Range : -25°C to + 90°C
- Contact Resistance : 20mΩ max.

### Features:

#### ■ HOUSING

Part No. : JS-2330

JS-2330B-xxE

JS-2430

JS-2430B-xxE

Poles : 1, 2, 3, 4, 6, 9, 12, 15

Material : Nylon 66 UL94V-2

Q,ty : 1,000 pcs/Bag

#### ■ TERMINAL

Part No. : JS-2330BS-2L

JS-2430BS-2L

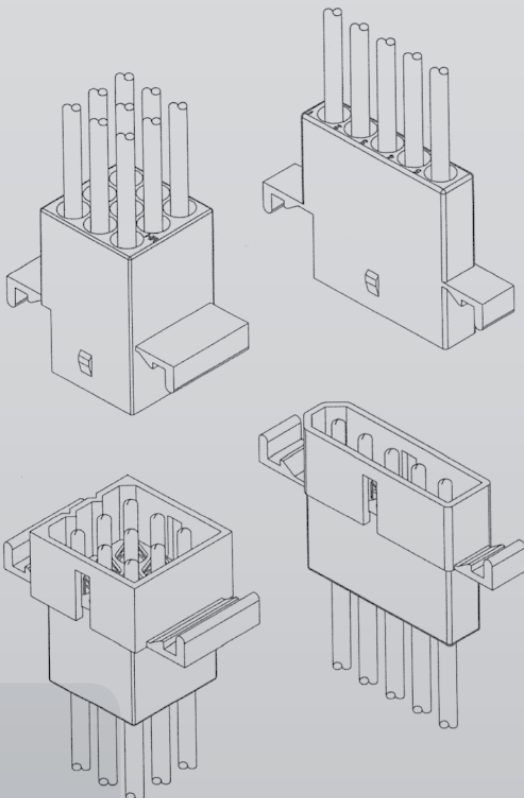
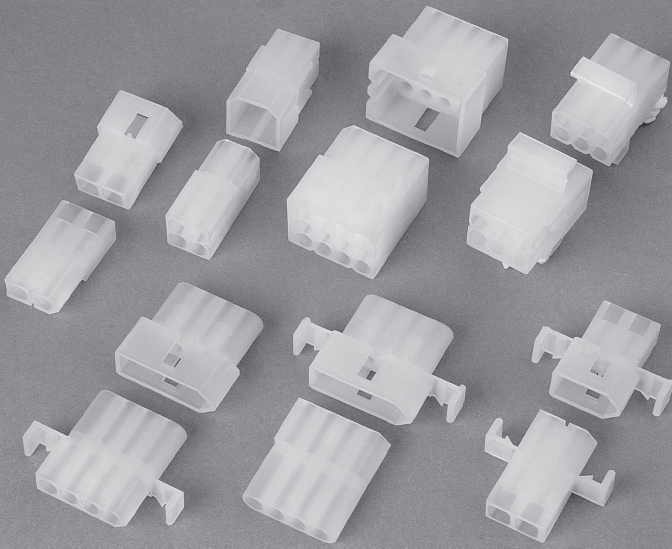
Applicable Wires : AWG# 22 -28

Material : Brass

Finish : Tin Plated

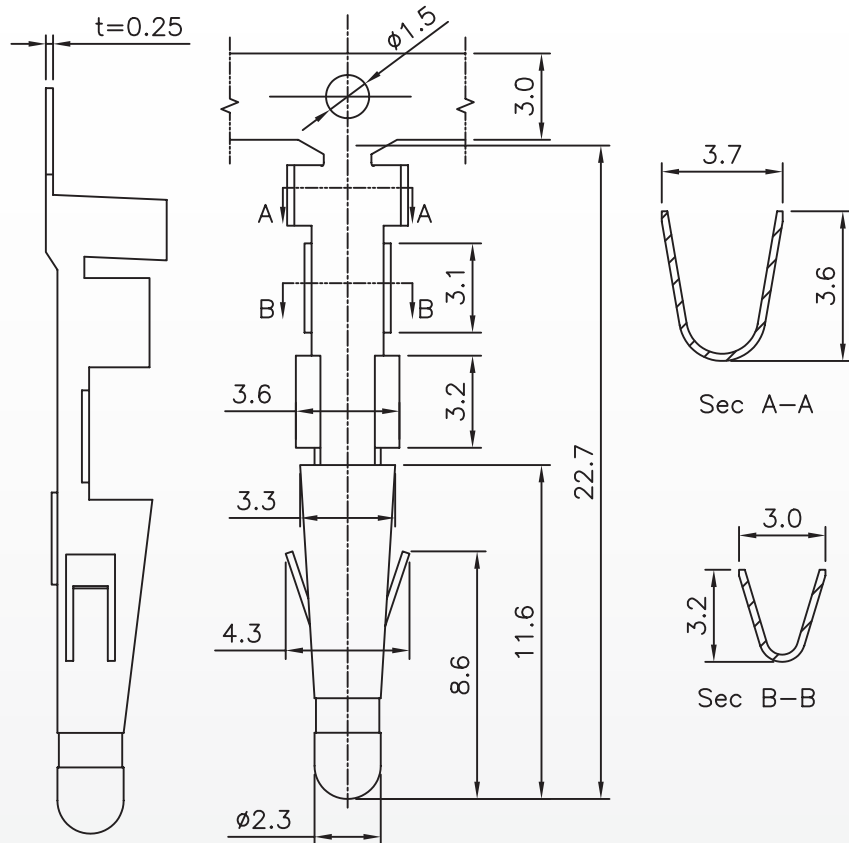
Thickness : 0.25mm

Q'ty : 5,000 pcs/Reel

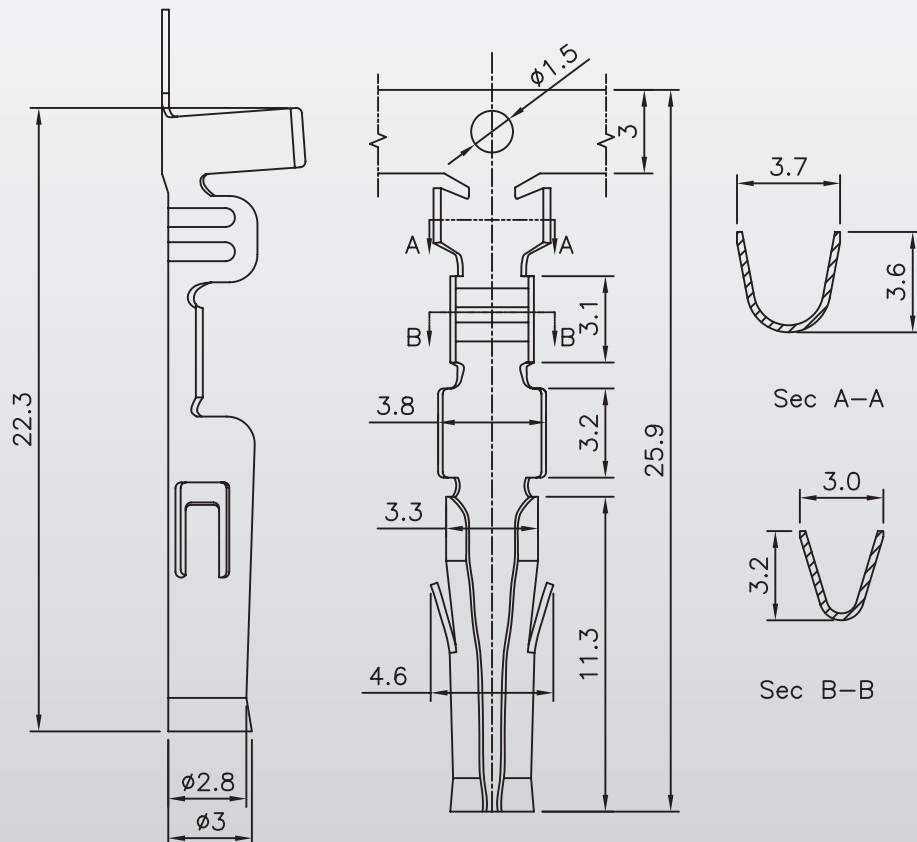


## 2.36ø Wire to Wire Power Connectors

**Terminal**  
**JS-2330BS-2L**



**Terminal**  
**JS-2430BS-2L**



## 2.36ø Wire to Wire Power Connectors

Poles	Max. Rated		Dimension Information	
	Amps	Voltage	Receptacle W/O Mfg. ears or W/Mfg. ears	Plug W/O Mfg. ears or W/Mfg. ears
1	15A	600V	<b>JS-2330-01</b> 	<b>JS-2430-01</b> 
2	15A	600V	<b>JS-2330-02 \ JS-2330B-02E</b> 	<b>JS-2430-02 \ JS-2430B-02E</b> 
3	14A	600V	<b>JS-2330-03 \ JS-2330B-03E</b> 	<b>JS-2430-03 \ JS-2430B-03E</b> 
4	13A	600V	<b>JS-2330-04 \ JS-2330B-04E</b> 	<b>JS-2430-04 \ JS-2430B-04E</b> 
4	13A	600V	<b>JS-2330-2*2 \ JS-2330B-2*2E</b> 	<b>JS-2430-2*2 \ JS-2430B-2*2E</b> 

## 2.36ø Wire to Wire Power Connectors

Poles	Max. Rated		Dimension Information	
	Amps	Voltage	Receptacle W/O Mfg. ears or W/Mfg. ears	Plug W/O Mfg. ears or W/Mfg. ears
6	12A	600V	<b>JS-2330-06 \ JS-2330B-06E</b> 	<b>JS-2430-06 \ JS-2430B-06E</b> 
9	10A	600V	<b>JS-2330-09 \ JS-2330B-09E</b> 	<b>JS-2430-09 \ JS-2430B-09E</b> 
12	9A	600V	<b>JS-2330-12 \ JS-2330B-12E</b> 	<b>JS-2430-12 \ JS-2430B-12E</b> 
15	9A	600V	<b>JS-2330-15 \ JS-2330B-15E</b> 	<b>JS-2430-15 \ JS-2430B-15E</b> 

## 2.36ø Wire to Wire Power Connectors

### Specifications

- Voltage Rating : 600V AC/DC
- Current Rating : 9A - 15A AC/DC
- Withstanding Voltage : 1,500V AC/minute
- Insulation Resistance : 1,000MΩ min.
- Temperature Range : -25°C to + 90°C
- Contact Resistance : 20mΩ max.

### Features:

#### ■ HOUSING

Part No. : JS-2330A

JS-2330A-xxE

JS-2430A

Poles : 1, 2, 3, 4, 6, 9,12,15

Material : Nylon 66 UL94V-2

Q,ty : 1,000 pcs/Bag

#### ■ TERMINAL

Part No. : JS-2330BS-2

JS-2430BS-2

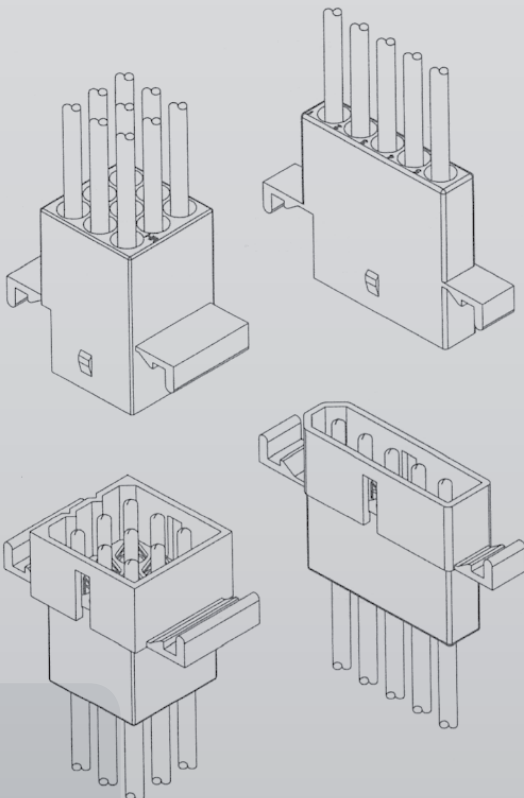
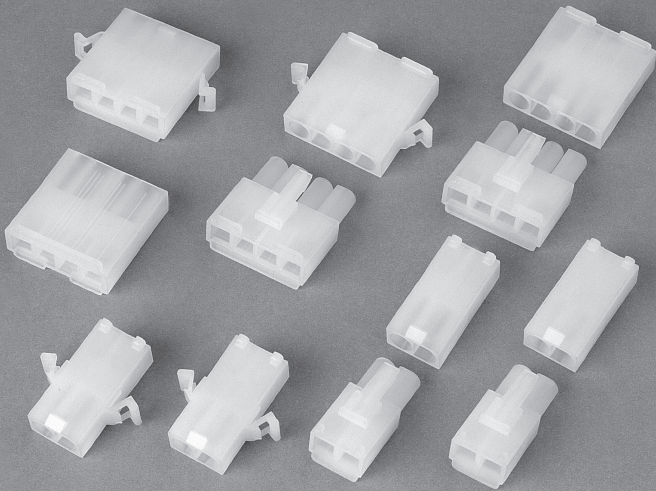
Applicable Wires : AWG# 18 - 24

Material : Brass

Finish : Tin Plated

Thickness : 0.25mm

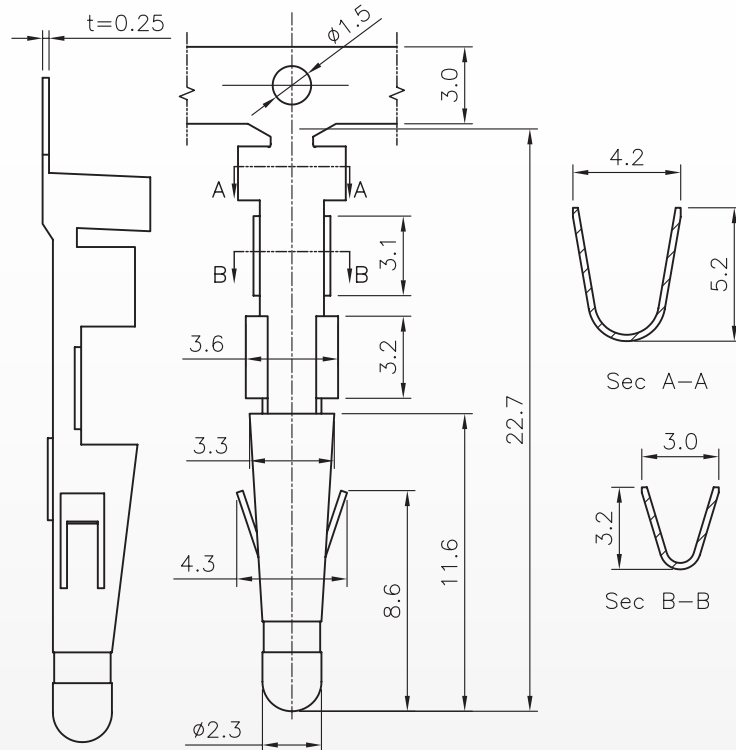
Q'ty : 3,500 pcs/Reel



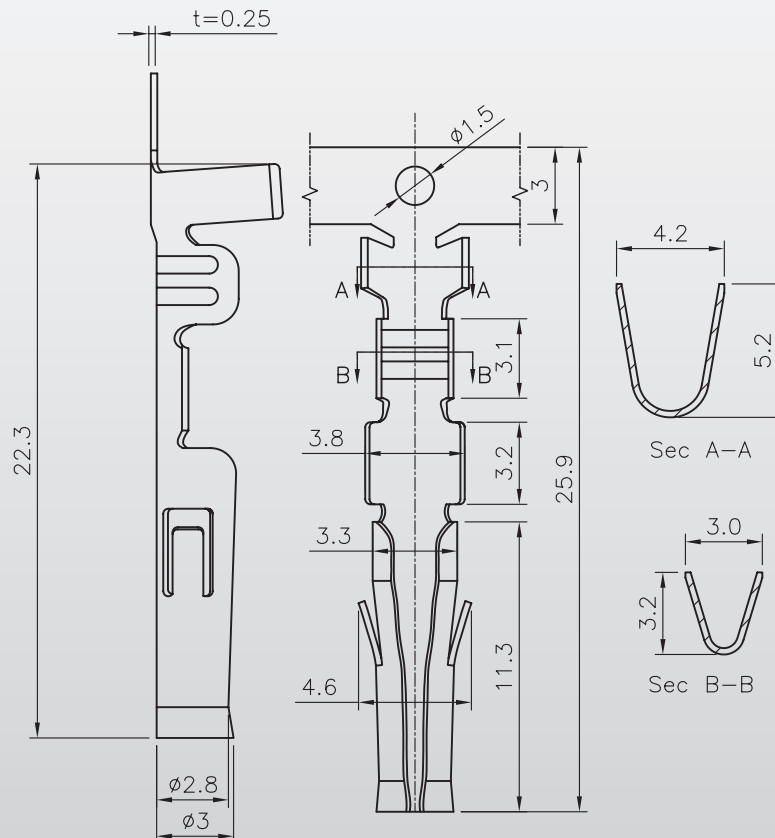


## 2.36 $\phi$ Wire to Wire Power Connectors

### Terminal JS-2330BS-2



### Terminal JS-2430BS-2



## 2.36ø Wire to Wire Power Connectors

Poles	Max. Rated		Dimension Information	
	Amps	Voltage	Receptacle W/O Mfg. ears or W/Mfg. ears	Plug
1	15A	600V	<b>JS-2330A-01 \ JS-2330A-01E</b> 	<b>JS-2430A-01</b> 
2	15A	600V	<b>JS-2330A-02 \ JS-2330A-02E</b> 	<b>JS-2430A-02</b> 
3	14A	600V	<b>JS-2330A-03 \ JS-2330A-03E</b> 	<b>JS-2430A-03</b> 
4	13A	600V	<b>JS-2330A-04 \ JS-2330A-04E</b> 	<b>JS-2430A-04</b> 

## 2.36ø Wire to Wire Power Connectors

Poles	Max. Rated		Dimension Information	
	Amps	Voltage	Receptacle W/O Mfg. ears or W/Mfg. ears	Plug
6	12A	600V	<b>JS-2330A-06 \ JS-2330A-06E</b> 	<b>JS-2430A-06</b> 
9	10A	600V	<b>JS-2330A-09 \ JS-2330A-09E</b> 	<b>JS-2430A-09</b> 
12	9A	600V	<b>JS-2330A-12 \ JS-2330A-12E</b> 	<b>JS-2430A-12</b> 
15	9A	600V	<b>JS-2330A-15 \ JS-2330A-15E</b> 	<b>JS-2430A-15</b> 

# 2.50mm (.098") Power Connectors

## Specifications

- Voltage Rating : 250V AC/DC
- Current Rating : 3A AC/DC
- Withstanding Voltage : 800V AC/minute
- Insulation Resistance : 1000M $\Omega$  min.
- Temperature Range : -25°C to + 85°C
- Contact Resistance : 20m $\Omega$  max.

## Features:

### ■ HOUSING

Part No. : JS-6503

JS-6504

Poles : 2 - 18

Material : Nylon 66 UL94V-0

Q,ty : 1,000 pcs/Bag

### ■ TERMINAL

Part No. : JS-6503-T

JS-6504-T

Applicable Wires : AWG# 22 - 28

Material : Brass

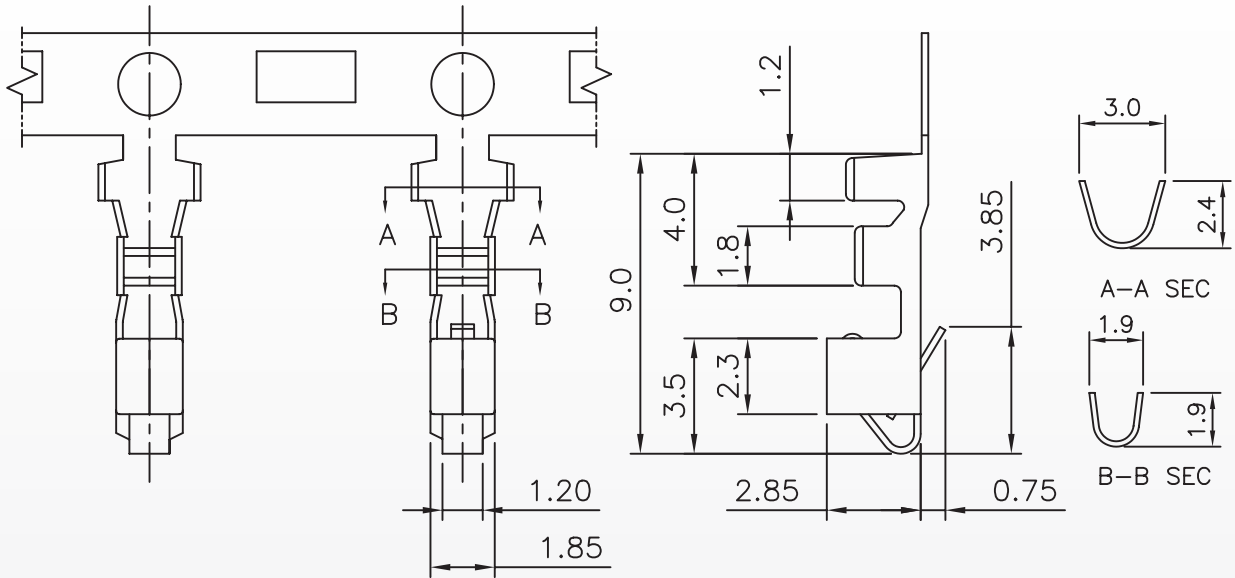
Finish : Tin Plated

Thickness : 0.2mm

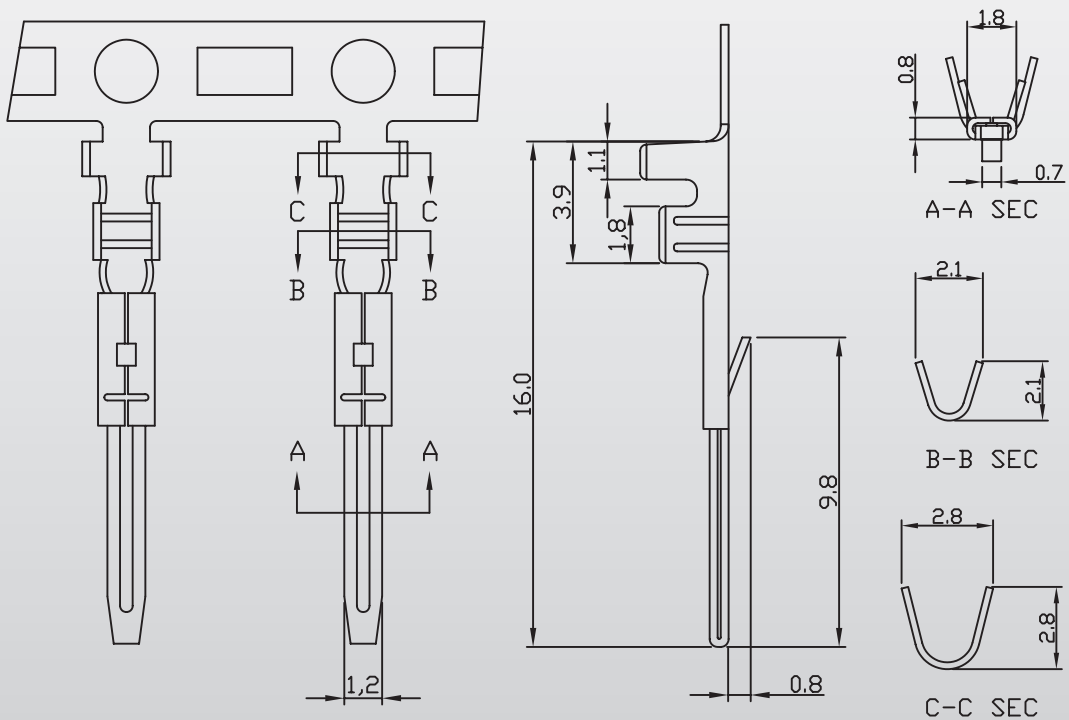
Q'ty : 7,000 pcs/Reel

# 2.50mm (.098") Power Connectors

## Terminal JS-6503-T

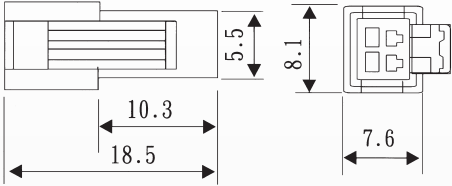
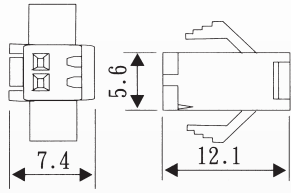
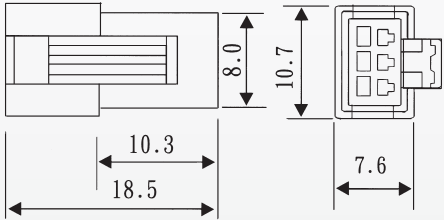
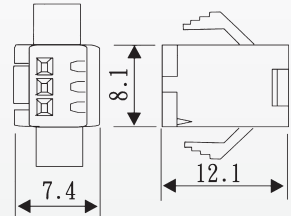
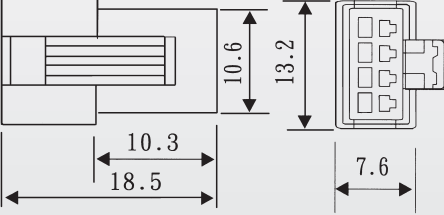
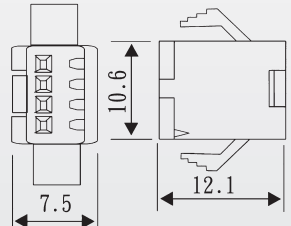
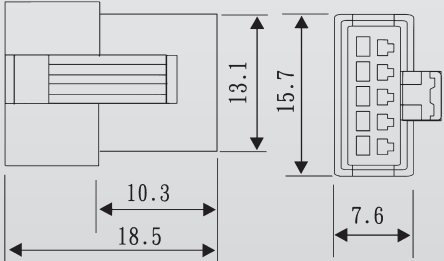
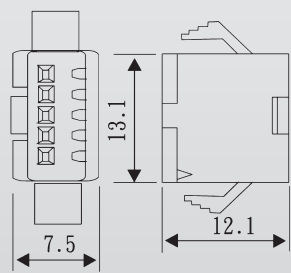


## Terminal JS-6504-T

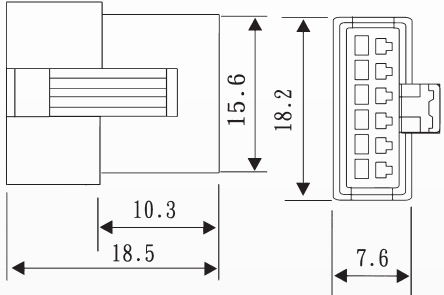
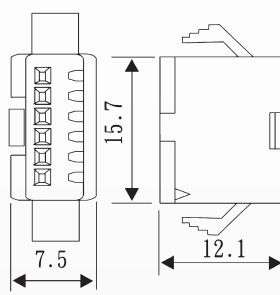
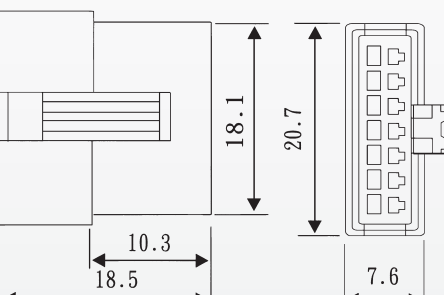
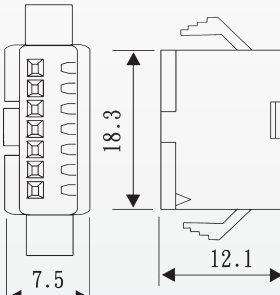
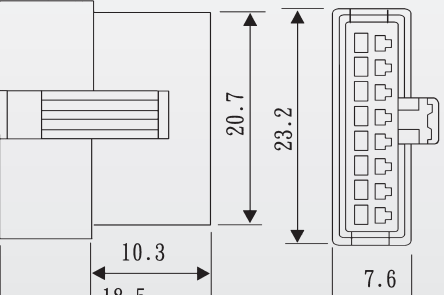
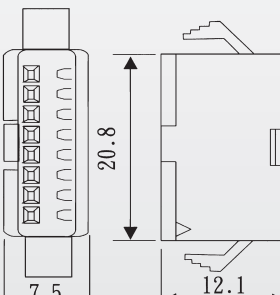
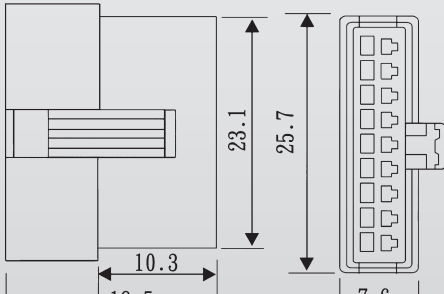
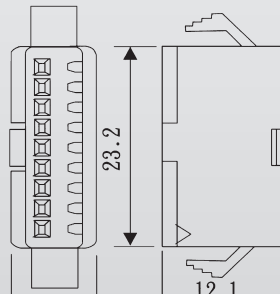




# 2.50mm (.098") Power Connectors

Dimension Information		
Poles	Receptacle	Plug
2	<p><b>JS-6504-02</b></p> 	<p><b>JS-6503-02</b></p> 
3	<p><b>JS-6504-03</b></p> 	<p><b>JS-6503-03</b></p> 
4	<p><b>JS-6504-04</b></p> 	<p><b>JS-6503-04</b></p> 
5	<p><b>JS-6504-05</b></p> 	<p><b>JS-6503-05</b></p> 

# 2.50mm (.098") Power Connectors

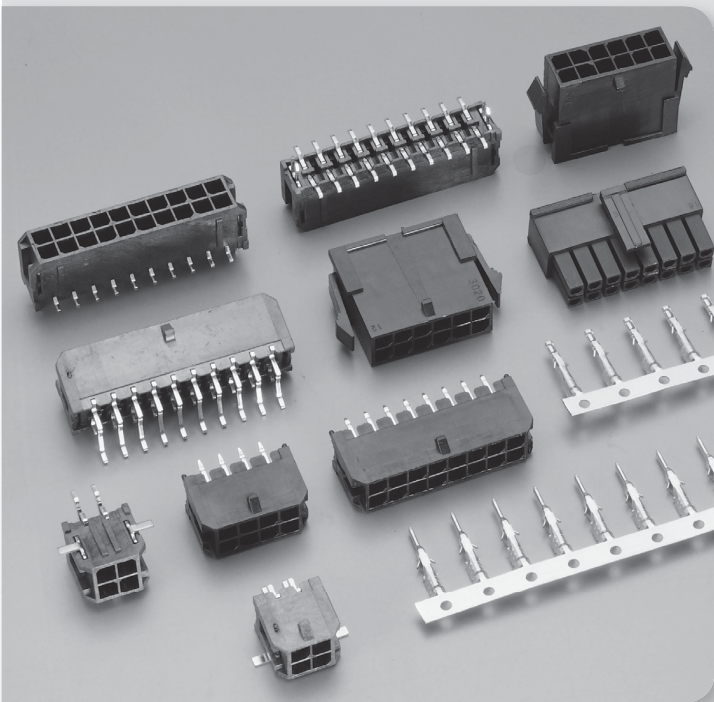
Dimension Information		
Poles	Receptacle	Plug
6	<p><b>JS-6504-06</b></p> 	<p><b>JS-6503-06</b></p> 
7	<p><b>JS-6504-07</b></p> 	<p><b>JS-6503-07</b></p> 
8	<p><b>JS-6504-08</b></p> 	<p><b>JS-6503-08</b></p> 
9	<p><b>JS-6504-09</b></p> 	<p><b>JS-6503-09</b></p> 

C

# 2.50mm (.098") Power Connectors

Dimension Information		
Poles	Receptacle	Plug
10	<p><b>JS-6504-10</b></p>	<p><b>JS-6503-10</b></p>
11	<p><b>JS-6504-11</b></p>	<p><b>JS-6503-11</b></p>
12	<p><b>JS-6504-12</b></p>	<p><b>JS-6503-12</b></p>
16	<p><b>JS-6504-16</b></p>	<p><b>JS-6503-16</b></p>
18	<p><b>JS-6504-18</b></p>	<p><b>JS-6503-18</b></p>

# 3.00mm (.118") Double-Row Power Connectors



## Specifications

- Voltage Rating : 250V AC/DC
- Current Rating : 5A AC/DC
- Withstanding Voltage : 1,500V AC/minute
- Insulation Resistance : 1,000MΩ min.
- Temperature Range : -40°C to + 85°C
- Contact Resistance : 10mΩ max.

## Features:

### ■ HOUSING

Part No. : JS-3024(Plug)

JS-3024-xxWO/E(Plug Without Ear)

JS-3025-XX(Receptacle)

Poles : 2 -24

Material : Nylon 66 UL94V-0

Q,ty : 1,000 pcs/Bag

### ■ WAFER

Part No. : JS-3026-XX(Straight, Dip Type)

JS-3027-XX(Right Angle, Dip Type)

JS-3028V-XX(Straight, With Solder Tab, SMT type)

JS-3029V-XX(Straight, With Clip, SMT type)

JS-3028H-XX(Right Angle With Solder Tab SMT type)

JS-3029V-XX(Right Angle With Clip, SMT type)

Poles : 2 - 24

Material : Contact : Brass, Tin Plated

Base :

Nylon PA46 UL94V-0(JS-3026-XX,JS-3027-XX)

High Temp. LCP

(JS-3028V-XX,JS-3029V-XX,

JS-3028H-XX,JS3029H-XX)

### ■ TERMINAL

Part No. : JS-3024-T, JS-3025-T

JS-3024-TL, JS-3025-TL

Applicable Wires :

AWG# 20-24 (JS-3024-T, JS-3025-T)

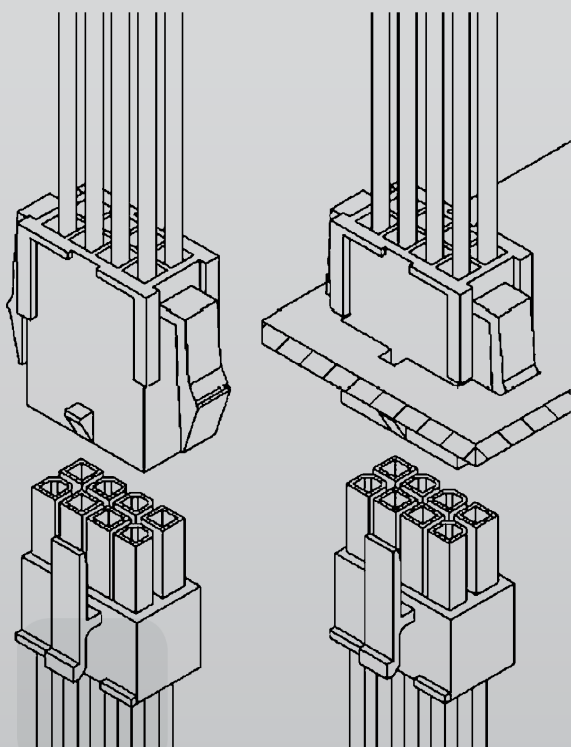
AWG# 26-30 (JS-3024-TL, JS-3025-TL)

Material : Phos. Bronze

Finish : Tin Plated

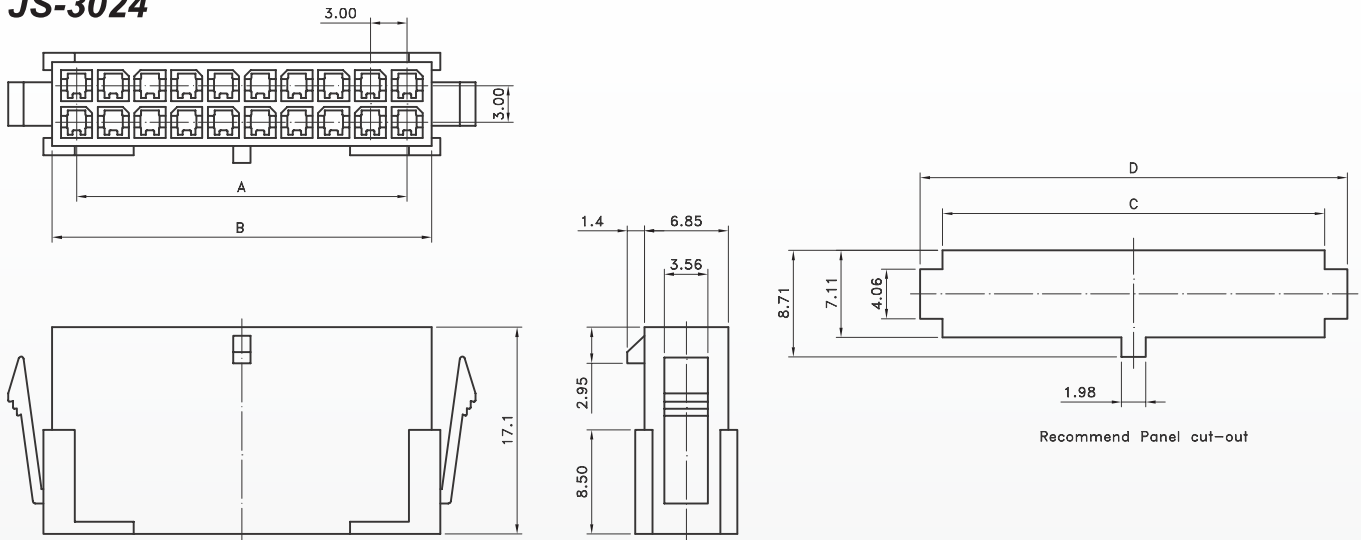
Thickness : 0.2mm

Q,ty : 10,000 pcs/Reel



# 3.00mm (.118") Double-Row Power Connectors

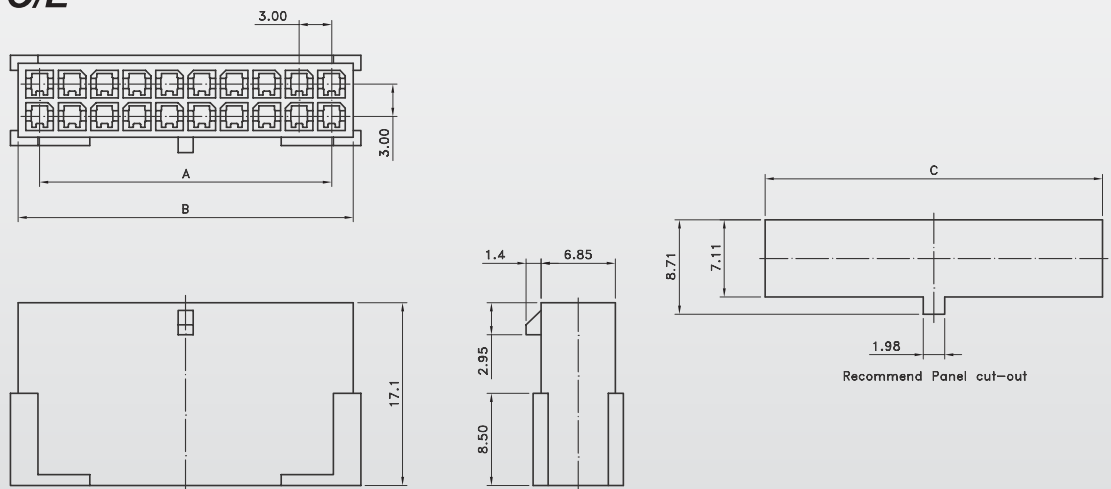
## Housing - Plug JS-3024



Poles	Part No.	Dimensions (mm)			
		A	B	C	D
2	JS-3024-02	---	4.00	4.21	7.90
4	JS-3024-04	3.00	7.00	7.21	10.90
6	JS-3024-06	6.00	10.00	10.21	13.90
8	JS-3024-08	9.00	13.00	13.21	16.90
10	JS-3024-10	12.00	16.00	16.21	19.90
12	JS-3024-12	15.00	19.00	19.21	22.90

Poles	Part No.	Dimensions (mm)			
		A	B	C	D
14	JS-3024-14	18.00	22.00	22.20	25.90
16	JS-3024-16	21.00	25.00	25.20	28.90
18	JS-3024-18	24.00	28.00	28.20	31.90
20	JS-3024-20	27.00	31.00	31.22	34.90
22	JS-3024-22	30.00	34.00	34.22	37.90
24	JS-3024-24	33.00	37.00	37.22	40.90

## Housing - Plug JS-3024-XX WO/E



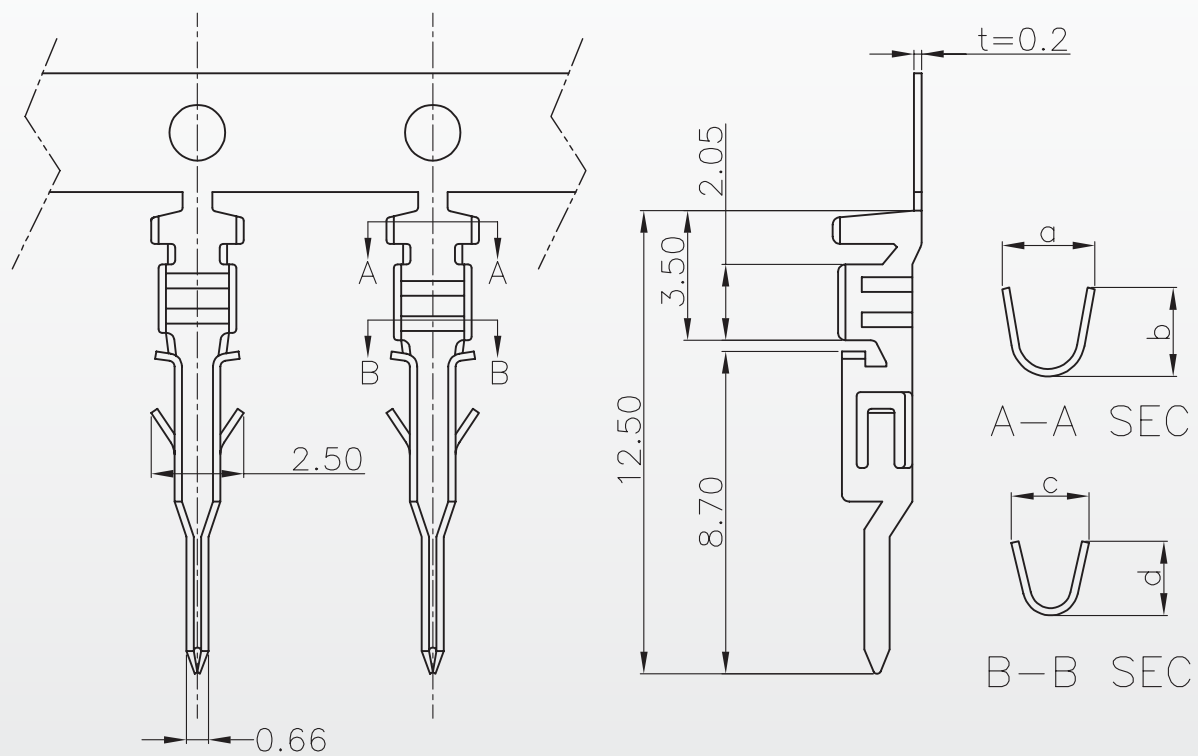
Poles	Part No.	Dimensions (mm)		
		A	B	C
2	JS-3024-02WO/E	---	4.00	4.20
4	JS-3024-04WO/E	3.00	7.00	7.20
6	JS-3024-06WO/E	6.00	10.00	10.20
8	JS-3024-08WO/E	9.00	13.00	13.20
10	JS-3024-10WO/E	12.00	16.00	16.20
12	JS-3024-12WO/E	15.00	19.00	19.20

Poles	Part No.	Dimensions (mm)		
		A	B	C
14	JS-3024-14WO/E	18.00	22.00	22.20
16	JS-3024-16WO/E	21.00	25.00	25.20
18	JS-3024-18WO/E	24.00	28.00	28.20
20	JS-3024-20WO/E	27.00	31.00	31.20
22	JS-3024-22WO/E	30.00	34.00	34.20
24	JS-3024-24WO/E	33.00	37.00	37.20



# 3.00mm (.118") Double-Row Power Connectors

## Terminal JS-3024-T, JS-3024-TL

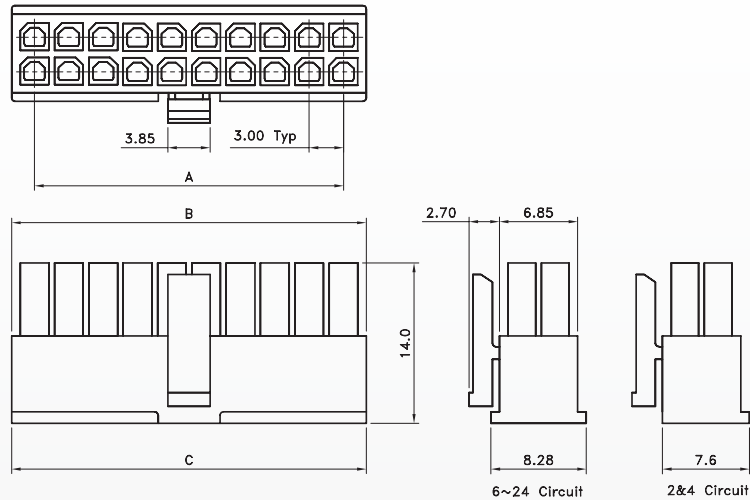


Wire Size	Part No.	Dim a	Dim b	Dim c	Dim d
#26~#30 AWG	JS-3024-TL	2.40	1.90	1.80	1.50
#20~#24 AWG	JS-3024-T	2.70	2.40	2.10	2.10

# 3.00mm (.118") Double-Row Power Connectors

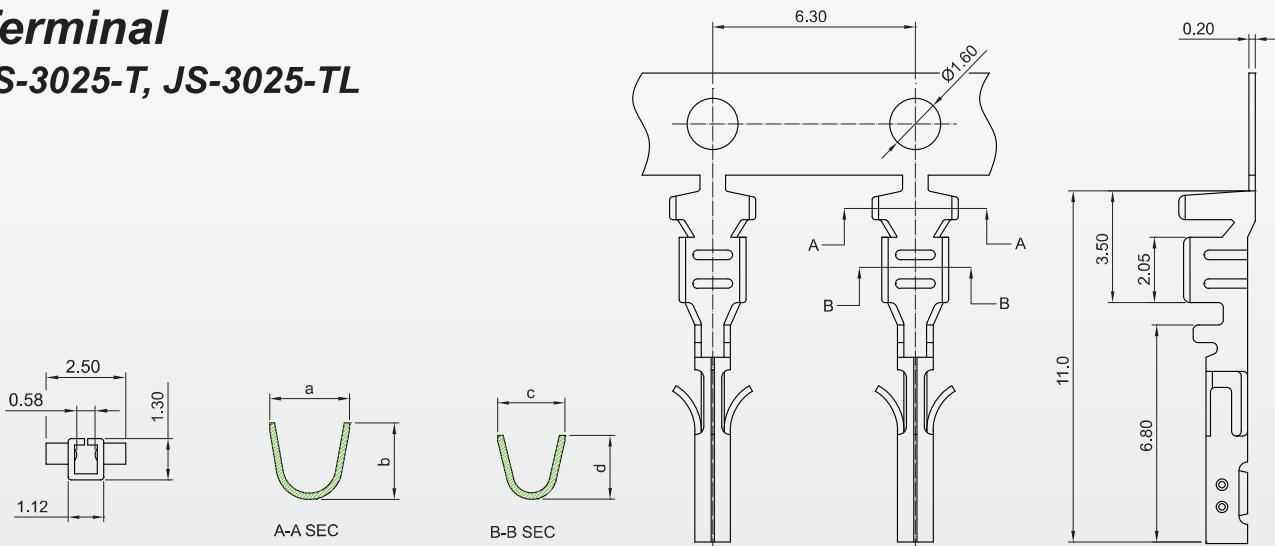
## Housing - Receptacle

JS-3025



## Terminal

JS-3025-T, JS-3025-TL



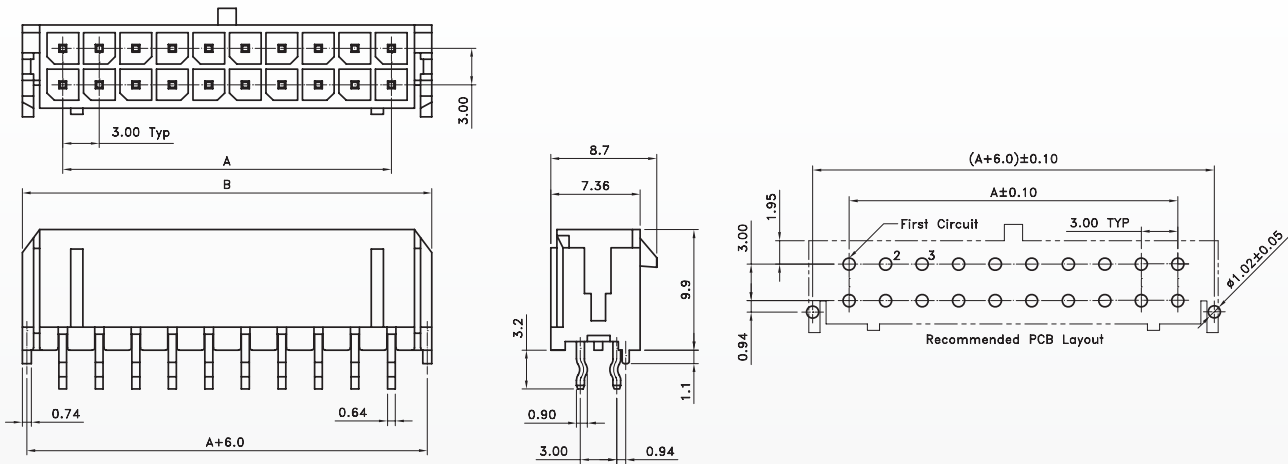
Wire Size	Part No.	Dim a	Dim b	Dim c	Dim d
#26~#30 AWG	JS-3025-TL	2.40	1.90	1.80	1.50
#20~#24 AWG	JS-3025-T	2.70	2.50	2.10	2.10

Poles	Part No.	Dimensions (mm)			
	JS-3025	A	B	C (JS-3024)	D (JS-3024-xxWO/E)
2	JS-3025-02	----	4.00	4.21	7.90
4	JS-3025-04	3.00	7.00	7.21	10.90
6	JS-3025-06	6.00	10.00	10.21	13.89
8	JS-3025-08	9.00	13.00	13.21	16.89
10	JS-3025-10	12.00	18.00	16.21	19.89
12	JS-3025-12	15.00	19.00	19.21	22.89
14	JS-3025-14	18.00	22.00	22.20	25.88
16	JS-3025-16	21.00	25.00	25.20	28.88
18	JS-3025-18	24.00	28.00	28.20	31.88
20	JS-3025-20	27.00	31.00	31.22	34.87
22	JS-3025-22	30.00	34.00	34.22	37.87
24	JS-3025-24	33.00	37.00	37.22	40.87

Dim C & Dim D only use at cut-out

# 3.00mm (.118") Double-Row Power Connectors

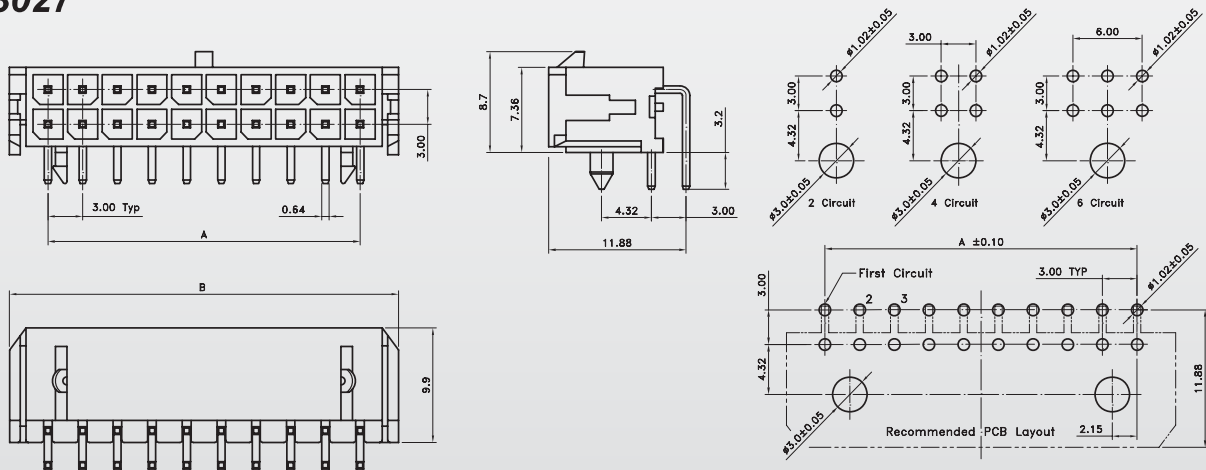
## Wafer-Straight JS-3026



Poles	Part No.	Dimensions (mm)	
	JS-3026	A	B
2	JS-3026-02	---	6.85
4	JS-3026-04	3.00	9.85
6	JS-3026-06	6.00	12.85
8	JS-3026-08	9.00	15.85
10	JS-3026-10	12.00	18.85
12	JS-3026-12	15.00	21.82

Poles	Part No.	Dimensions (mm)	
	JS-3026	A	B
14	JS-3026-14	18.00	24.85
16	JS-3026-16	21.00	27.85
18	JS-3026-18	24.00	30.85
20	JS-3026-20	27.00	33.85
22	JS-3026-22	30.00	36.85
24	JS-3026-24	33.00	39.85

## Wafer - Right Angle JS-3027

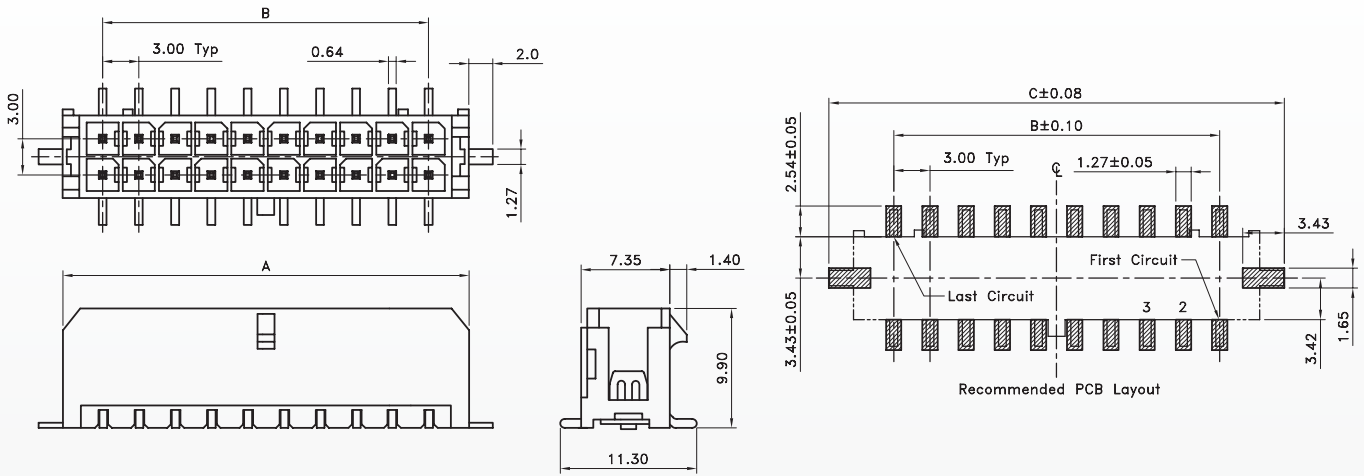


Poles	Part No.	Dimensions (mm)	
	JS-3027	A	B
2	JS-3027-02	---	6.85
4	JS-3027-04	3.00	9.85
6	JS-3027-06	6.00	12.85
8	JS-3027-08	9.00	15.85
10	JS-3027-10	12.00	18.85
12	JS-3027-12	15.00	21.85

Poles	Part No.	Dimensions (mm)	
	JS-3027	A	B
14	JS-3027-14	18.00	24.85
16	JS-3027-16	21.00	27.85
18	JS-3027-18	24.00	30.85
20	JS-3027-20	27.00	33.85
22	JS-3027-22	30.00	36.85
24	JS-3027-24	33.00	39.85

# 3.00mm (.118") Double-Row Power Connectors

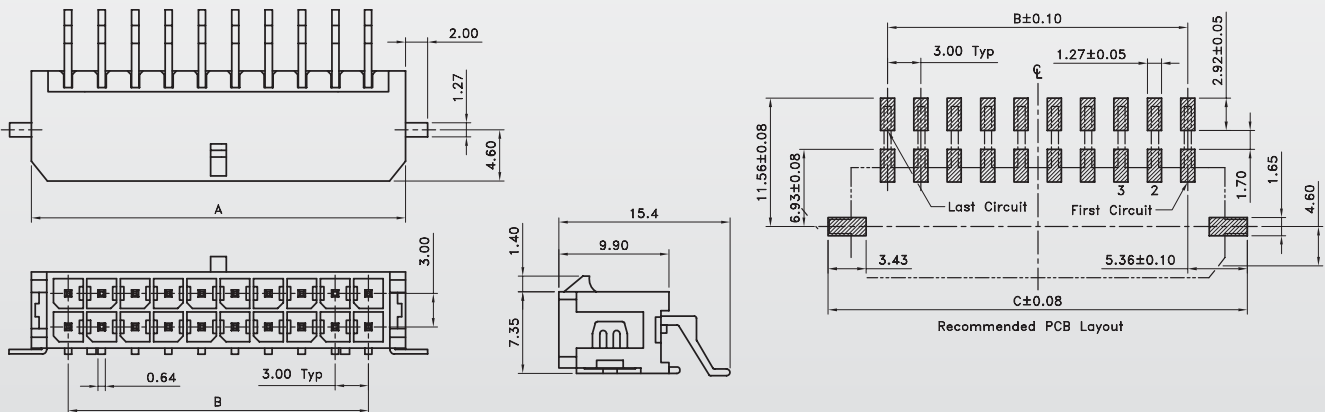
## Wafer - Straight < SMT > JS-3028V



Poles	Part No.	Dimensions (mm)		
	JS-3028V	A	B	C
2	JS-3028V-02	6.65	--	11.20
4	JS-3028V-04	9.65	3.00	14.20
6	JS-3028V-06	12.65	6.00	17.20
8	JS-3028V-08	15.65	9.00	20.20
10	JS-3028V-10	18.65	12.00	23.20
12	JS-3028V-12	21.65	15.00	26.20

Poles	Part No.	Dimensions (mm)		
	JS-3028V	A	B	C
14	JS-3028V-14	24.65	18.00	29.20
16	JS-3028V-16	27.65	21.00	32.20
18	JS-3028V-18	30.65	24.00	35.20
20	JS-3028V-20	33.65	27.00	38.20
22	JS-3028V-22	36.65	30.00	41.20
24	JS-3028V-24	39.65	33.00	44.20

## Wafer - Right Angle < SMT > JS-3028H

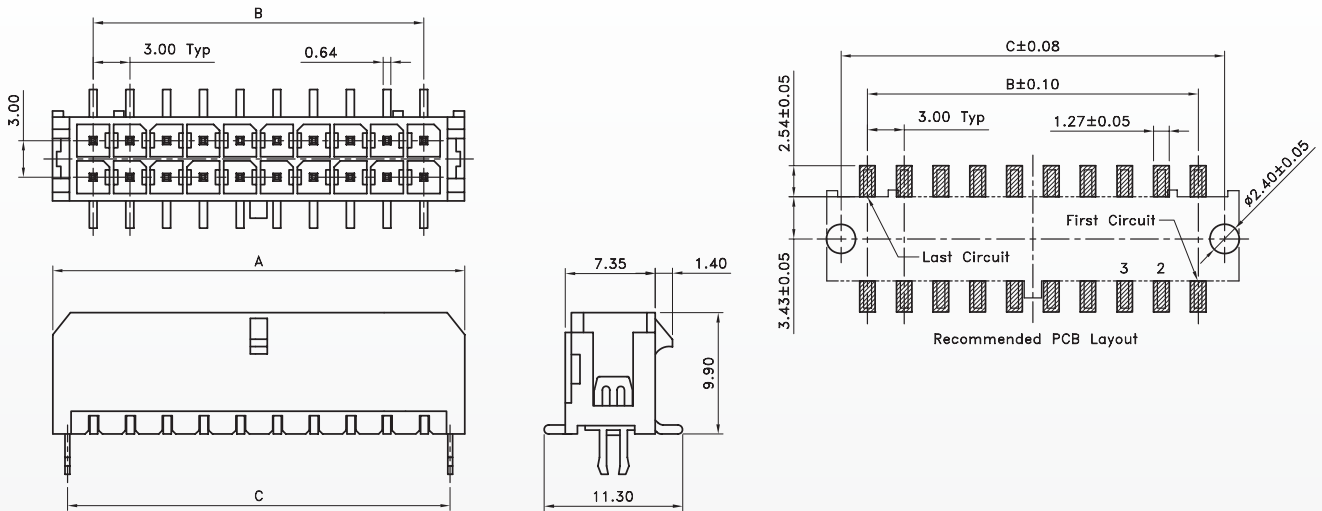


Poles	Part No.	Dimensions (mm)		
	JS-3028V	A	B	C
2	JS-3028H-02	6.65	---	10.70
4	JS-3028H-04	9.65	3.00	13.70
6	JS-3028H-06	12.65	6.00	16.70
8	JS-3028H-08	15.65	9.00	19.70
10	JS-3028H-10	18.65	12.00	22.70
12	JS-3028H-12	21.65	15.00	25.70

Poles	Part No.	Dimensions (mm)		
	JS-3028V	A	B	C
14	JS-3028H-14	24.65	18.00	28.70
16	JS-3028H-16	27.65	21.00	31.70
18	JS-3028H-18	30.65	24.00	34.70
20	JS-3028H-20	33.65	27.00	37.70
22	JS-3028H-22	36.65	30.00	40.70
24	JS-3028H-24	39.65	33.00	43.70

# 3.00mm (.118") Double-Row Power Connectors

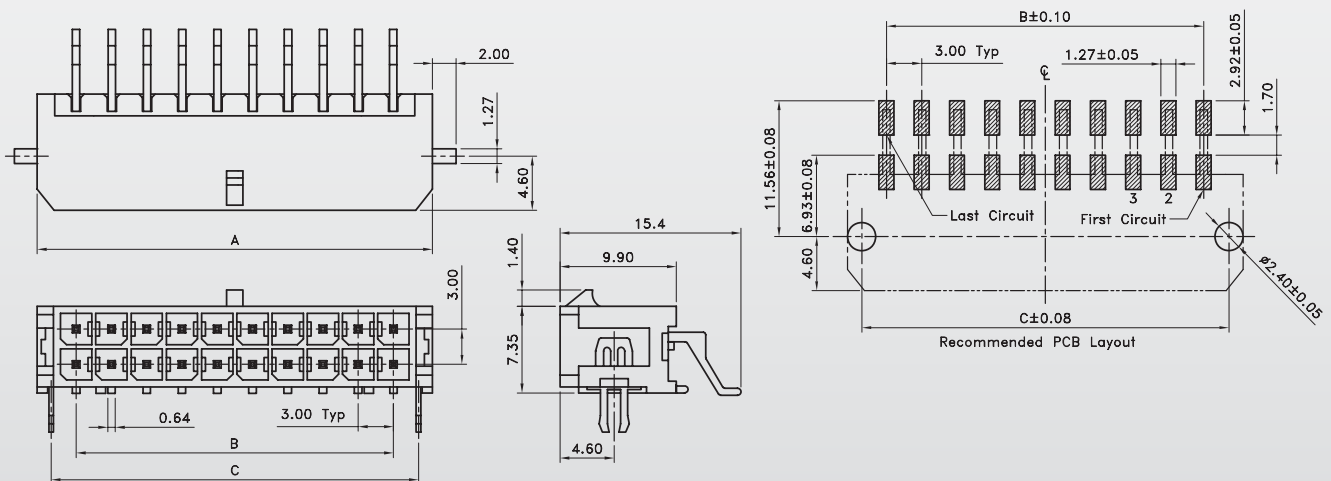
## Wafer - Straight < SMT > JS-3029V



Poles	Part No.	Dimensions (mm)		
	JS-3029V	A	B	C
2	JS-3029V-02	6.65	---	11.20
4	JS-3029V-04	9.65	3.00	14.20
6	JS-3029V-06	12.65	6.00	17.20
8	JS-3029V-08	15.65	9.00	20.20
10	JS-3029V-10	18.65	12.00	23.20
12	JS-3029V-12	21.65	15.00	26.20

Poles	Part No.	Dimensions (mm)		
	JS-3029V	A	B	C
14	JS-3029V-14	24.65	18.00	29.20
16	JS-3029V-16	27.65	21.00	32.20
18	JS-3029V-18	30.65	24.00	35.20
20	JS-3029V-20	33.65	27.00	38.20
22	JS-3029V-22	36.65	30.00	41.20
24	JS-3029V-24	39.65	33.00	44.20

## Wafer - Right Angle < SMT > JS-3029H

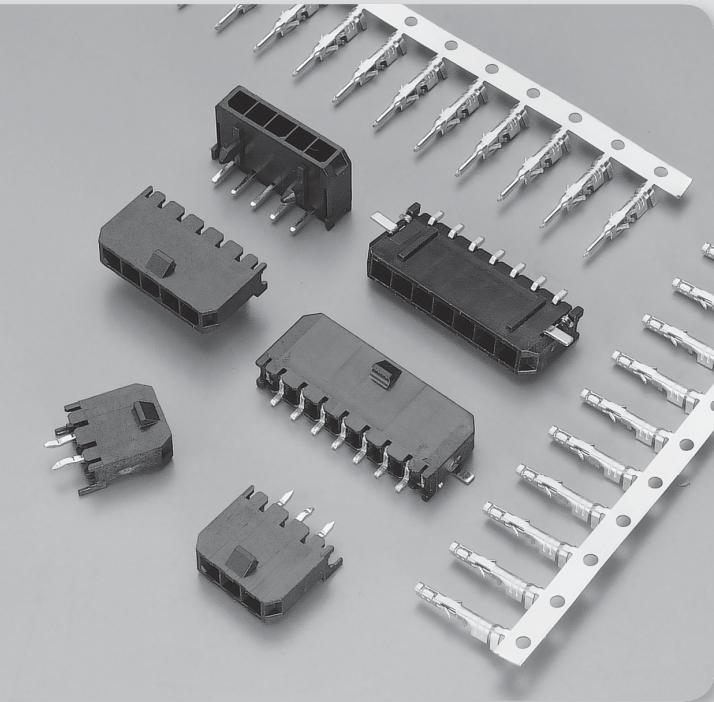


Poles	Part No.	Dimensions (mm)		
	JS-3029H	A	B	C
2	JS-3029H-02	6.65	---	4.30
4	JS-3029H-04	9.65	3.00	7.30
6	JS-3029H-06	12.65	6.00	10.30
8	JS-3029H-08	15.65	9.00	13.30
10	JS-3029H-10	18.65	12.00	16.30
12	JS-3029H-12	21.65	15.00	19.30

Poles	Part No.	Dimensions (mm)		
	JS-3029H	A	B	C
14	JS-3029H-14	24.65	18.00	22.30
16	JS-3029H-16	27.65	21.00	25.30
18	JS-3029H-18	30.65	24.00	28.30
20	JS-3029H-20	33.65	27.00	31.30
22	JS-3029H-22	36.65	30.00	34.30
24	JS-3029H-24	39.65	33.00	37.30



# 3.00mm (.118") Single-Row Power Connectors



## Specifications

- Voltage Rating : 250V AC/DC
- Current Rating : 5A AC/DC
- Withstanding Voltage : 1500V AC/minute
- Insulation Resistance : 1000M $\Omega$  min.
- Temperature Range : -40°C to + 85°C
- Contact Resistance : 10m $\Omega$  max.

## Features:

### ■ HOUSING

Part No. : JS-3024S-XX(Plug)

JS-3024S-XXWO/E(Plug, Without Ear)

JS-3025S-XX(Receptacle)

Poles : 2 - 12

Material : Nylon 66 UL94V-0

Q,ty : 1,000 pcs/Bag

### ■ WAFER

Part No. : JS-3026S-XX(Straight, Dip Type)

JS-3027S-XX(Right Angle, Dip Type)

JS-3028SV-XX

(Straight, With Solder Tab, SMT type)

JS-3029SV-XX

(Straight, With Clips, SMT Type)

JS-3028SH-XX

(Right Angle With Solder Tab, SMT Type)

JS-3029SH-XX

(Right Angle With Clip, SMT Type)

Poles : 2 - 24

Material : Contact : Brass, Tin Plated

Base :

Nylon PA46 UL94V-0

(JS-3026S-XX, JS-3027S-XX)

High Temp. LCP

(JS-3028SV-XX, JS-3029SV-XX,

JS-3028SH-XX, JS-3029SH-XX)

### ■ TERMINAL

Part No. : JS-3024-T, JS-3025-T, JS-3024-TL, JS-3025-TL

Applicable Wires : AWG# 20-24 (JS-3024-T, JS-3025-T)

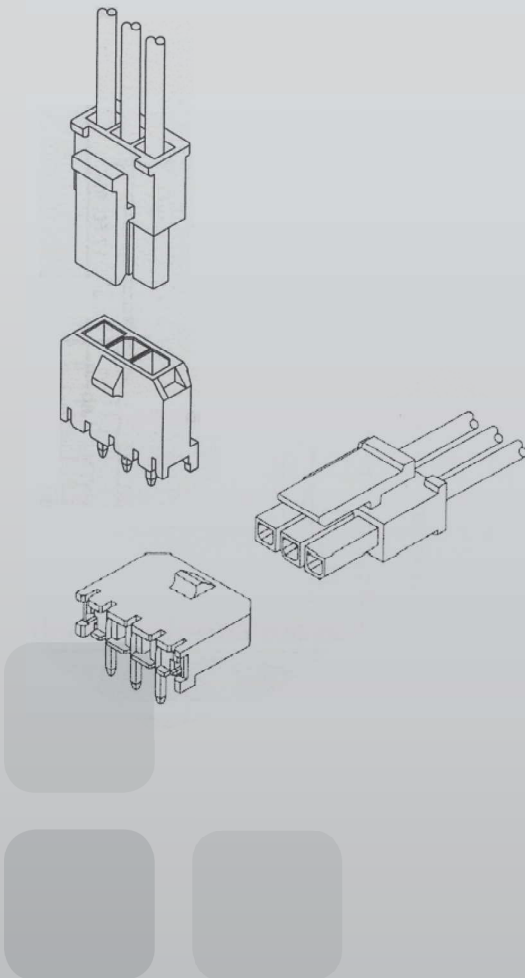
AWG# 26-30 (JS-3024-TL, JS-3025-TL)

Material : Phos, Bronze

Finish : Tin Plated

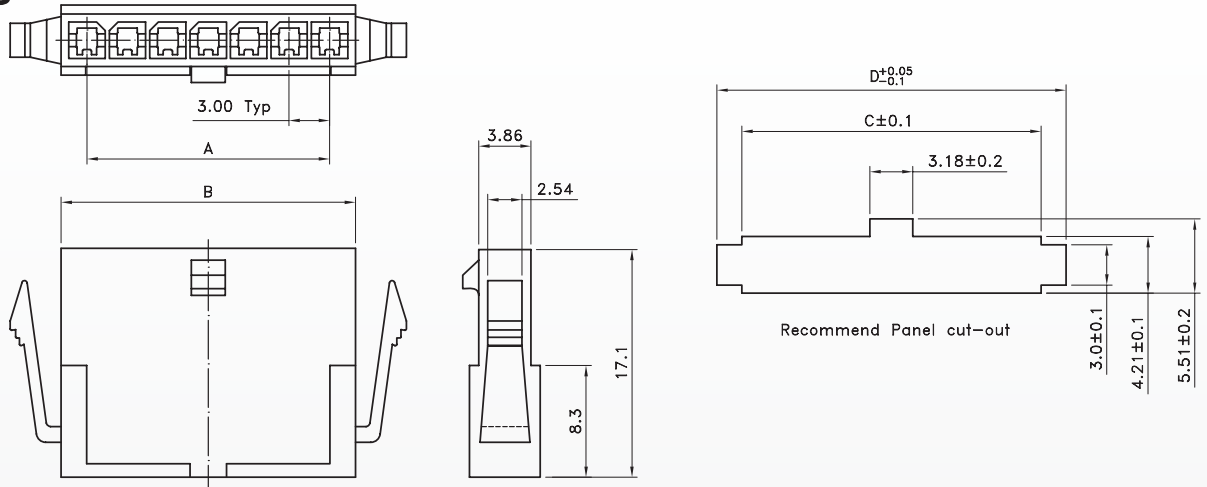
Thickness : 0.2mm

Q'ty : 10,000 pcs/Reel



# 3.00mm (.118") Single-Row Power Connectors

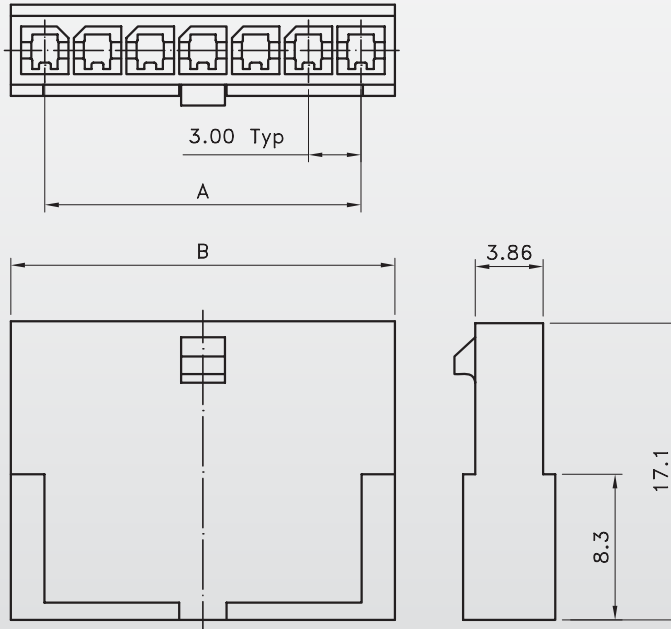
## Housing - Plug JS-3024S



Poles	Part No.	Dimensions (mm)			
		A	B	C	D
2	JS-3024S-02	3.00	6.85	7.20	10.90
3	JS-3024S-03	6.00	9.85	10.20	13.90
4	JS-3024S-04	9.00	12.85	13.20	16.90
5	JS-3024S-05	12.00	15.85	16.20	19.90
6	JS-3024S-06	15.00	18.85	19.20	22.90
7	JS-3024S-07	18.00	21.85	22.20	25.90

Poles	Part No.	Dimensions (mm)			
		A	B	C	D
8	JS-3024S-08	21.00	24.85	25.20	28.90
9	JS-3024S-09	24.00	27.85	28.20	31.90
10	JS-3024S-10	24.00	30.85	31.20	34.90
11	JS-3024S-11	30.00	33.85	34.20	37.90
12	JS-3024S-12	33.00	36.85	37.20	40.90

## Housing - Plug JS-3024S-XXWO / E



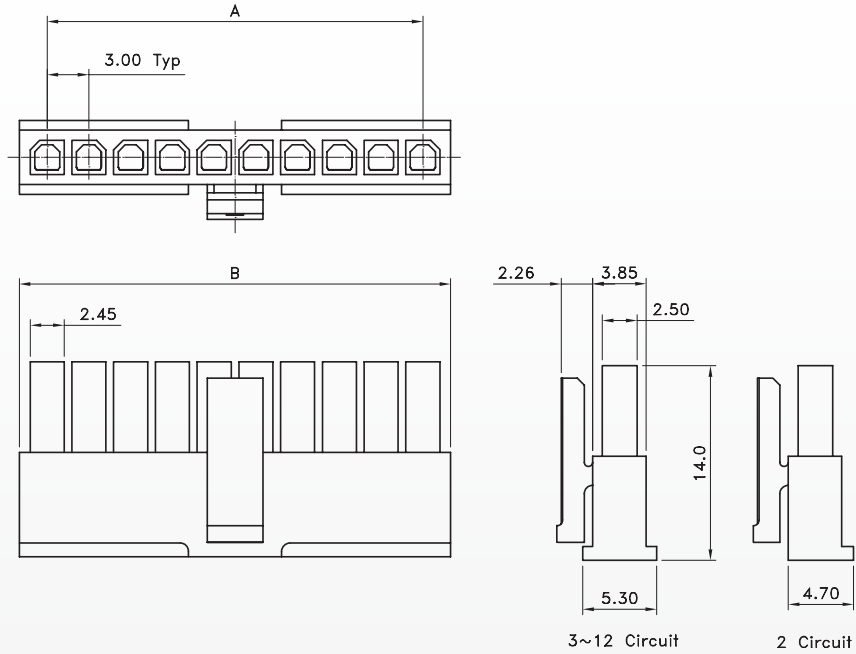
Poles	Part No.	Dimensions (mm)		
		A	B	C
2	JS-3024S-02WO/E	3.00	6.85	7.20
3	JS-3024S-03WO/E	6.00	9.85	10.20
4	JS-3024S-04WO/E	9.00	12.85	13.20
5	JS-3024S-05WO/E	12.00	15.85	16.20
6	JS-3024S-06WO/E	15.00	18.85	19.20
7	JS-3024S-07WO/E	18.00	21.85	22.20

Poles	Part No.	Dimensions (mm)		
		A	B	C
8	JS-3024S-08WO/E	21.00	24.85	25.20
9	JS-3024S-09WO/E	24.00	27.85	28.20
10	JS-3024S-10WO/E	27.00	30.85	31.20
11	JS-3024S-11WO/E	30.00	33.85	34.20
12	JS-3024S-12WO/E	33.00	36.85	37.20

# 3.00mm (.118") Single-Row Power Connectors

## Housing - Receptacle

### JS-3025S

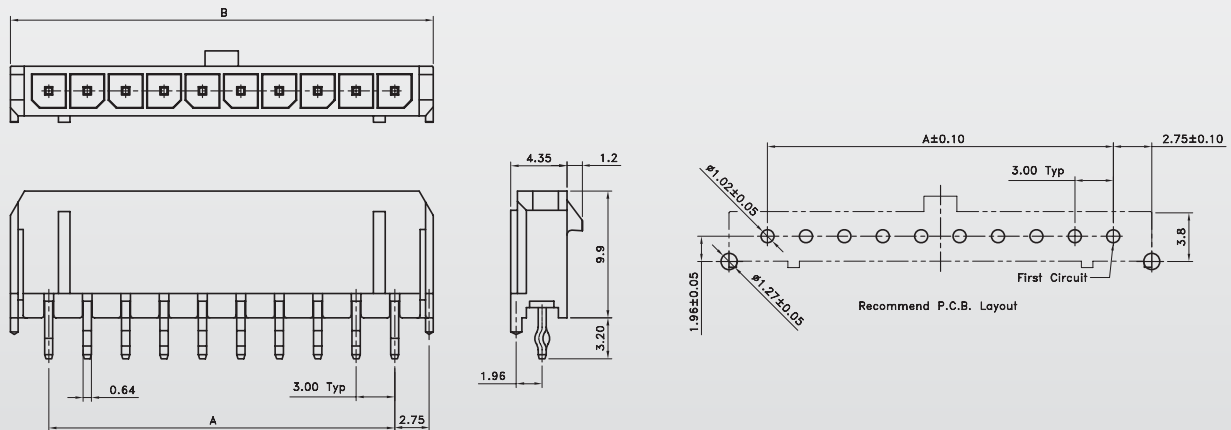


Poles	Part No.	Dimensions (mm)	
		A	B
2	JS-3025S-02	3.00	7.00
3	JS-3025S-03	6.00	10.00
4	JS-3025S-04	9.00	13.00
5	JS-3025S-05	12.00	16.00
6	JS-3025S-06	15.00	19.00
7	JS-3025S-07	18.00	22.00

Poles	Part No.	Dimensions (mm)	
		A	B
8	JS-3025S-08	21.00	25.00
9	JS-3025S-09	24.00	28.00
10	JS-3025S-10	27.00	31.00
11	JS-3025S-11	30.00	34.00
12	JS-3025S-12	33.00	37.00

## Wafer - Straight

### JS-3026S

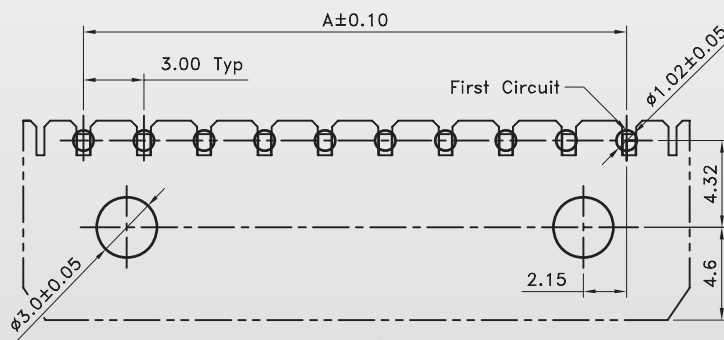
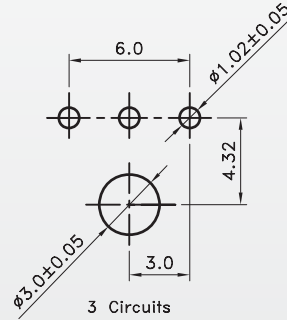
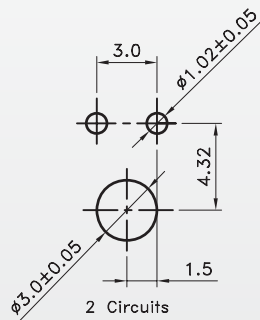
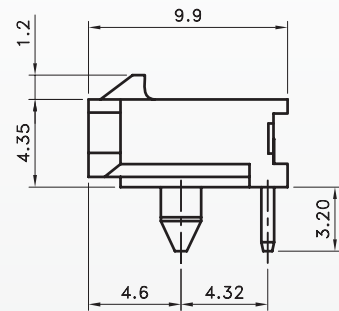
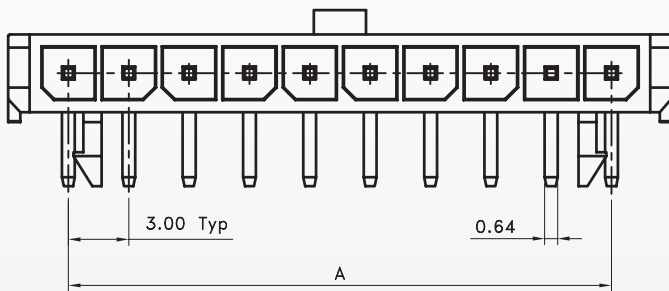
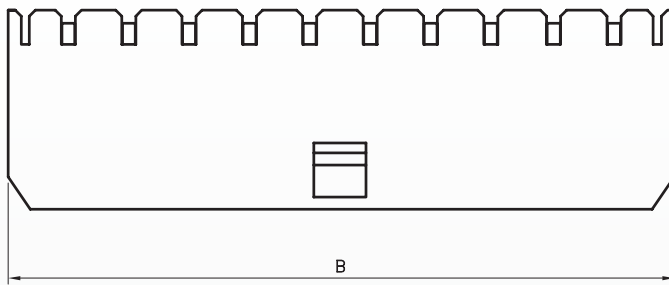


Poles	Part No.	Dimensions (mm)	
		A	B
2	JS-3026S-02	3.00	9.00
3	JS-3026S-03	6.00	12.00
4	JS-3026S-04	9.00	15.00
5	JS-3026S-05	12.00	18.00
6	JS-3026S-06	15.00	21.00
7	JS-3026S-07	18.00	24.00

Poles	Part No.	Dimensions (mm)	
		A	B
8	JS-3026S-08	21.00	27.00
9	JS-3026S-09	24.00	30.00
10	JS-3026S-10	27.00	33.00
11	JS-3026S-11	30.00	36.00
12	JS-3026S-12	33.00	39.00

# 3.00mm (.118") Single-Row Power Connectors

## Wafer - Right Angle JS-3027S



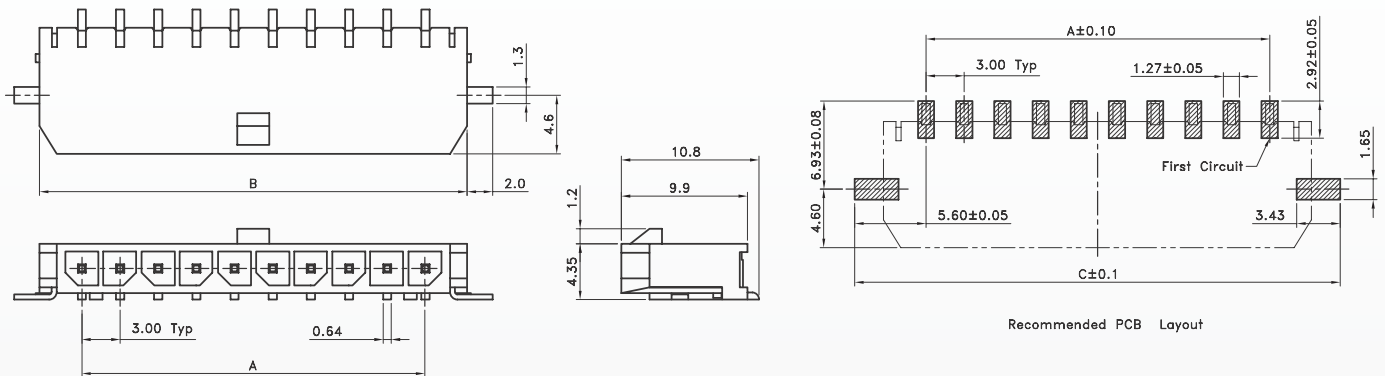
Recommend PCB Layout

Poles	Part No.	Dimensions (mm)	
		A	B
2	JS-3027S-02	3.00	9.00
3	JS-3027S-03	6.00	12.00
4	JS-3027S-04	9.00	15.00
5	JS-3027S-05	12.00	18.00
6	JS-3027S-06	15.00	21.00
7	JS-3027S-07	18.00	24.00

Poles	Part No.	Dimensions (mm)	
		A	B
8	JS-3027S-08	21.00	27.00
9	JS-3027S-09	24.00	30.00
10	JS-3027S-10	27.00	33.00
11	JS-3027S-11	30.00	36.00
12	JS-3027S-12	33.00	39.00

# 3.00mm (.118") Single-Row Power Connectors

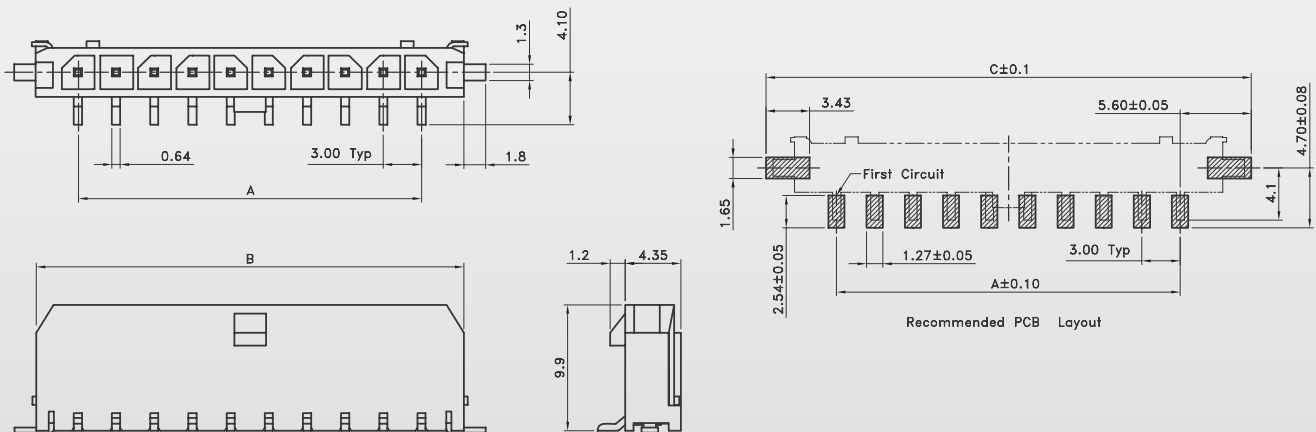
## Wafer < SMT > JS-3028SV



Poles	Part No.	Dimensions (mm)		
		A	B	C
2	JS-3028SV-02	3.00	9.70	14.20
3	JS-3028SV-03	6.00	12.70	17.20
4	JS-3028SV-04	9.00	15.70	20.20
5	JS-3028SV-05	12.00	18.70	23.20
6	JS-3028SV-06	15.00	21.70	26.20
7	JS-3028SV-07	18.00	24.70	29.20

Poles	Part No.	Dimensions (mm)		
		A	B	C
8	JS-3028SV-08	21.00	27.70	32.20
9	JS-3028SV-09	24.00	30.70	35.20
10	JS-3028SV-10	27.00	33.70	38.20
11	JS-3028SV-11	30.00	36.70	41.20
12	JS-3028SV-12	33.00	39.70	44.20

## Wafer < SMT > JS-3028SH



Poles	Part No.	Dimensions (mm)		
		A	B	C
2	JS-3028SH-02	3.00	9.70	14.20
3	JS-3028SH-03	6.00	12.70	17.20
4	JS-3028SH-04	9.00	15.70	20.20
5	JS-3028SH-05	12.00	18.70	23.20
6	JS-3028SH-06	15.00	21.70	26.20
7	JS-3028SH-07	18.00	24.70	29.20

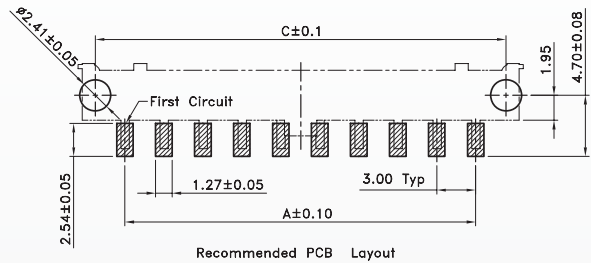
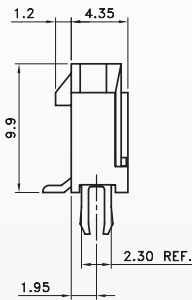
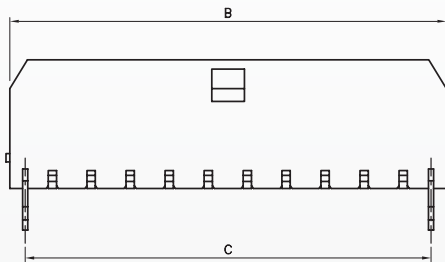
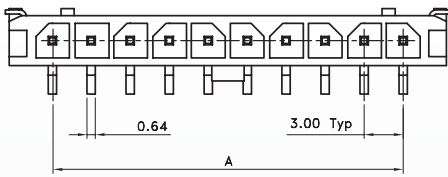
Poles	Part No.	Dimensions (mm)		
		A	B	C
8	JS-3028SH-08	21.00	27.70	32.20
9	JS-3028SH-09	24.00	30.70	35.20
10	JS-3028SH-10	27.00	33.70	38.20
11	JS-3028SH-11	30.00	36.70	41.20
12	JS-3028SH-12	33.00	39.70	44.20



# 3.00mm (.118") Single-Row Power Connectors

## Wafer < SMT >

### JS-3029SV

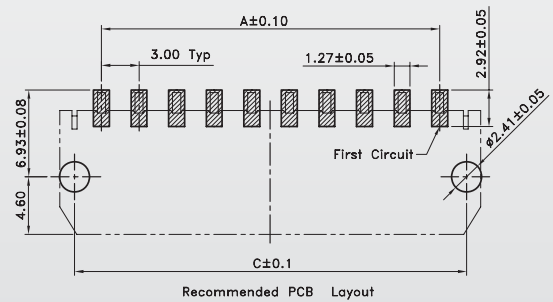
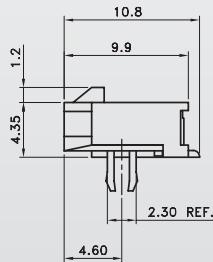
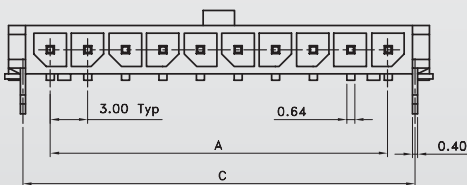
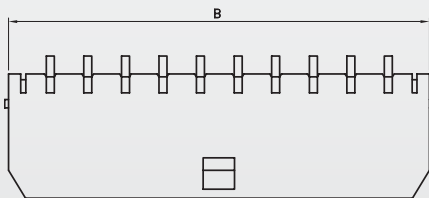


Poles	Part No.	Dimensions (mm)		
		A	B	C
2	JS-3029SV-02	3.00	9.70	7.30
3	JS-3029SV-03	6.00	12.70	10.30
4	JS-3029SV-04	9.00	15.70	13.30
5	JS-3029SV-05	12.00	18.70	16.30
6	JS-3029SV-06	15.00	21.70	19.30
7	JS-3029SV-07	18.00	24.70	22.30

Poles	Part No.	Dimensions (mm)		
		A	B	C
8	JS-3029SV-08	21.00	27.70	25.30
9	JS-3029SV-09	24.00	30.70	28.30
10	JS-3029SV-10	27.00	33.70	31.30
11	JS-3029SV-11	30.00	36.70	34.30
12	JS-3029SV-12	33.00	39.70	37.30

## Wafer < SMT >

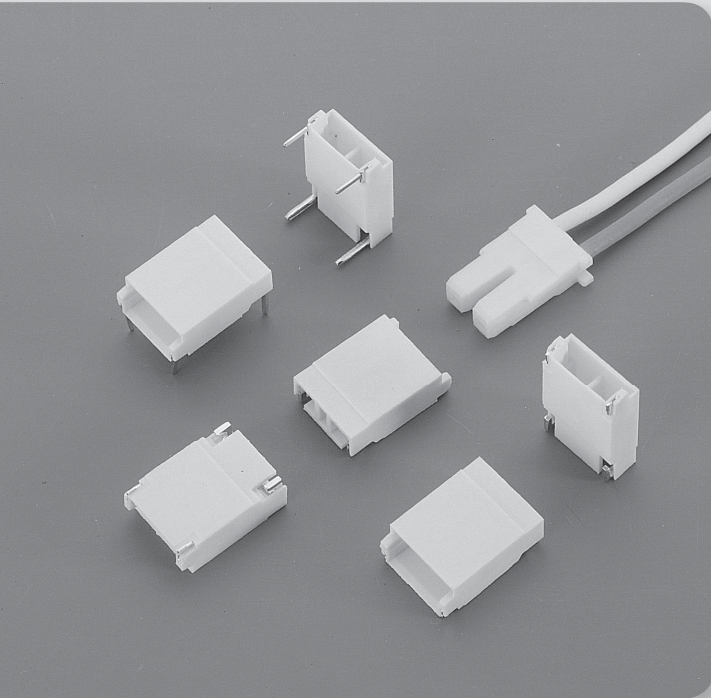
### JS-3029SH



Poles	Part No.	Dimensions (mm)		
		A	B	C
2	JS-3029SH-02	3.00	9.70	7.30
3	JS-3029SH-03	6.00	12.70	10.30
4	JS-3029SH-04	9.00	15.70	13.30
5	JS-3029SH-05	12.00	18.70	16.30
6	JS-3029SH-06	15.00	21.70	19.30
7	JS-3029SH-07	18.00	24.70	22.30

Poles	Part No.	Dimensions (mm)		
		A	B	C
8	JS-3029SH-08	21.00	27.70	25.30
9	JS-3029SH-09	24.00	30.70	28.30
10	JS-3029SH-10	27.00	33.70	31.30
11	JS-3029SH-11	30.00	36.70	34.30
12	JS-3029SH-12	33.00	39.70	37.30

# 3.50mm (.138") High Withstanding Voltage Power Connectors



## Specifications

- Voltage Rating : 1,400V AC/DC
- Current Rating : 1A AC/DC
- Withstanding Voltage : 3,800V AC/minute
- Insulation Resistance : 1,000M min.
- Temperature Range : -25°C to + 85°C
- Contact Resistance : 20mΩ max.

## Features:

### ■ HOUSING

Part No. : JS-2011 (Receptacle)  
JS-2021 (Plug)

Poles : 2

Material : Nylon 66 UL94V-0  
Q,ty : 1,000 pcs/Bag

### ■ WAFER

Part No. : JS-2012 (SMT Type)  
JS-20121 (DIP Type)  
JS-2013-02 (SMT Type; With Lock)  
JS-20131-02 (DIP Type; With Lock)  
JS-2013D-04 (SMT Type; With Lock, 2 in 1)  
JS-20131D-04 (DIP Type; With Lock, 2 in 1)

Poles : 2, 4

Material : Contact : Phos. Bronze, Tin Plated  
Base : PA 9T UL94V-0

Q,ty : 1,200 pcs./Tape & Reel (JS-2012, JS-2013)  
1,000 pcs./Tube Pack (JS-20121, JS-20131)

### ■ TERMINAL

Part No. : JS-2011-T (Female)  
JS-2021-T (male)

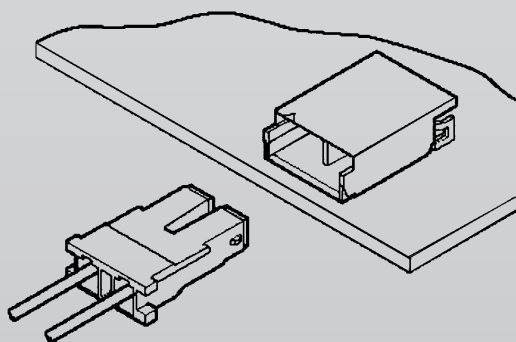
Applicable Wires : AWG# 24 - 28

Material : Phos. Bronze

Finish : Tin Plated

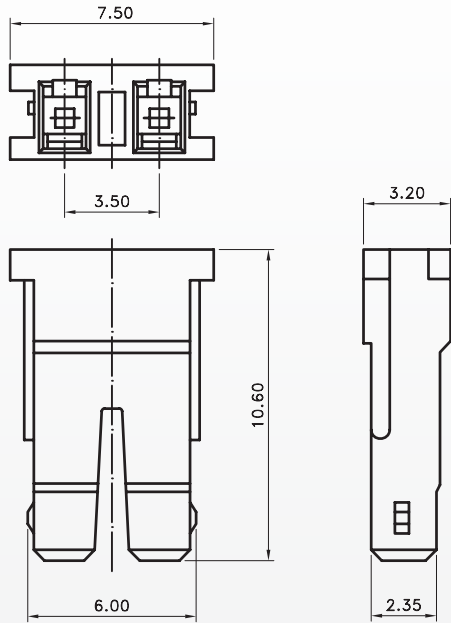
Thickness : 0.2mm

Q,ty : 10,000 pcs/Reel

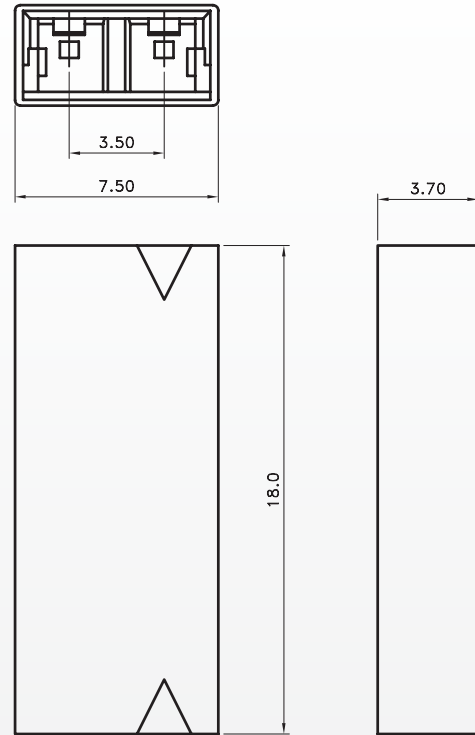


# 3.50mm (.138") High Withstanding Voltage Power Connectors

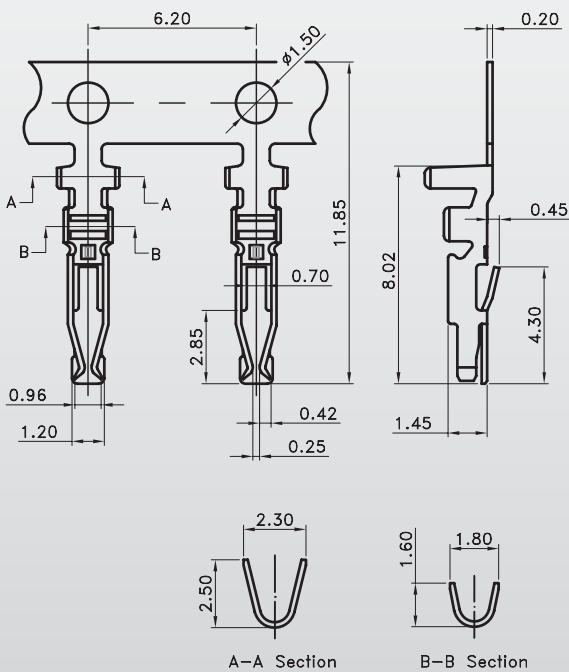
## Housing - Receptacle JS-2011-02



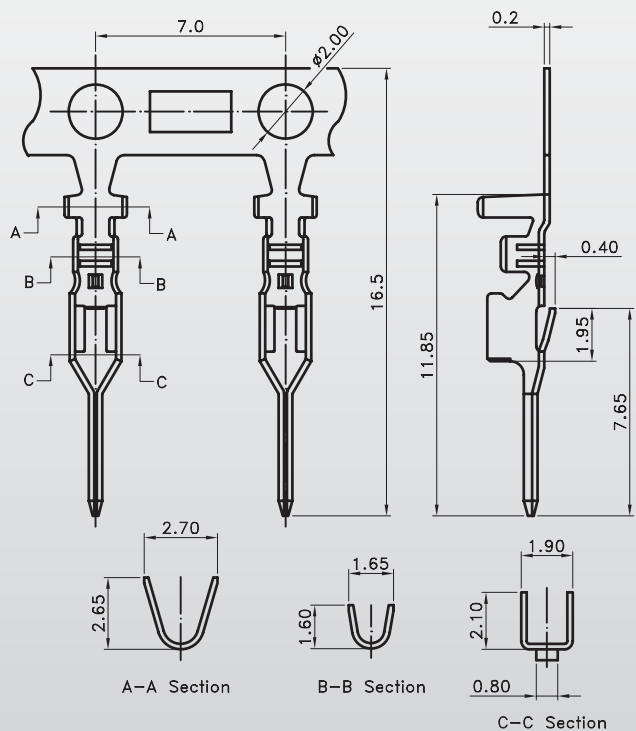
## Housing - Receptacle plug JS-2021-02



## Terminal JS-2011-T



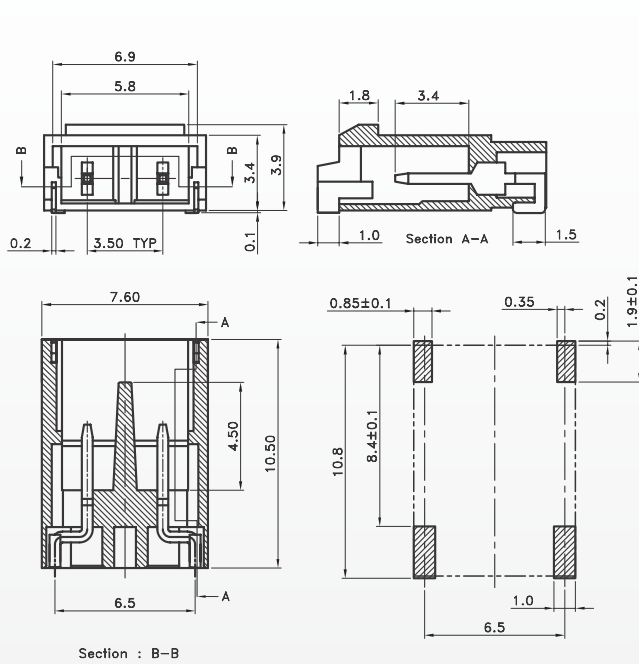
## Terminal JS-2021-T



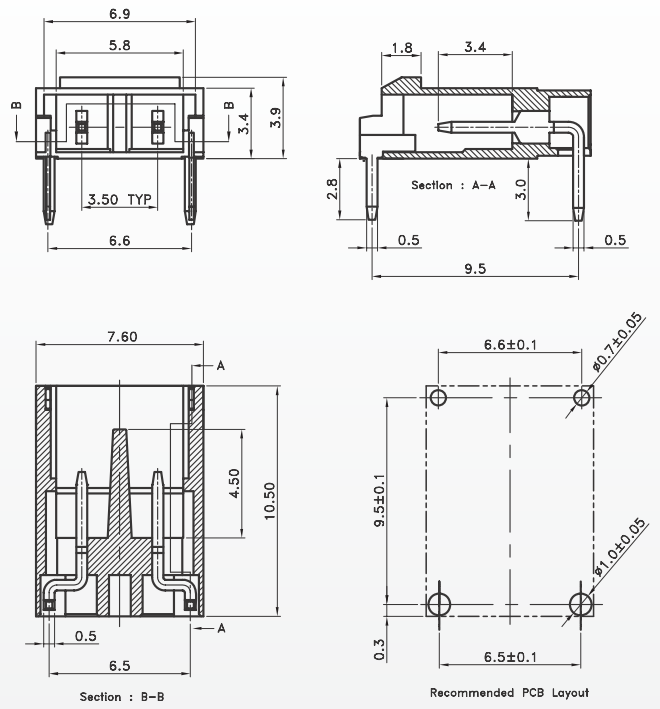
C

# 3.50mm (.138") High Withstanding Voltage Power Connectors

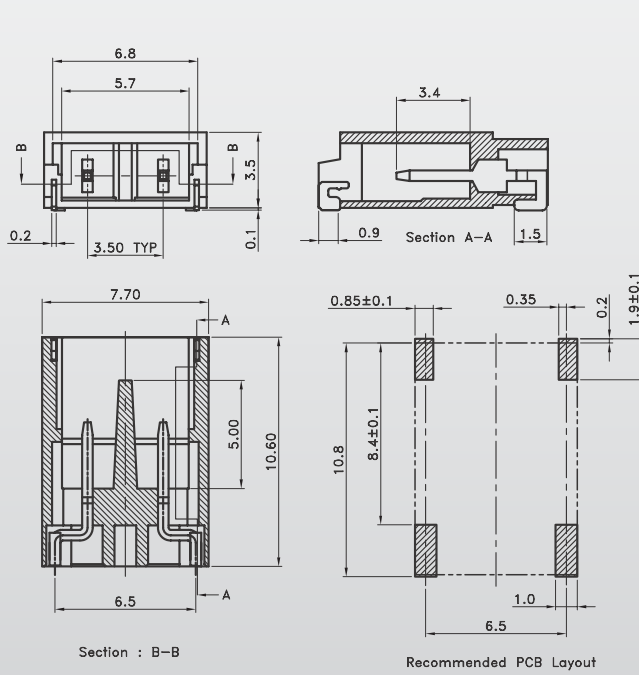
## Wafer < SMT Type > JS-2013-02 ( With Lock )



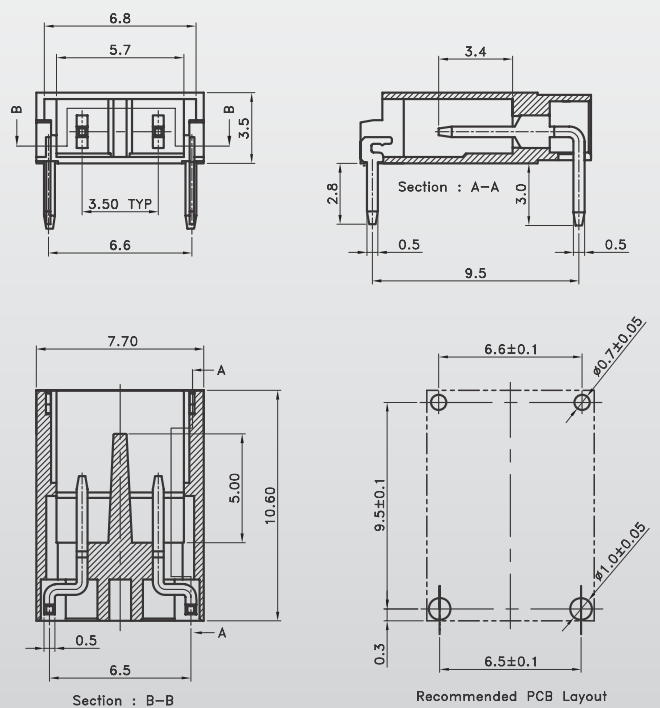
## Wafer < DIP Type > JS-20131-02 ( With Lock )



## Wafer < SMT Type > JS-2012-02

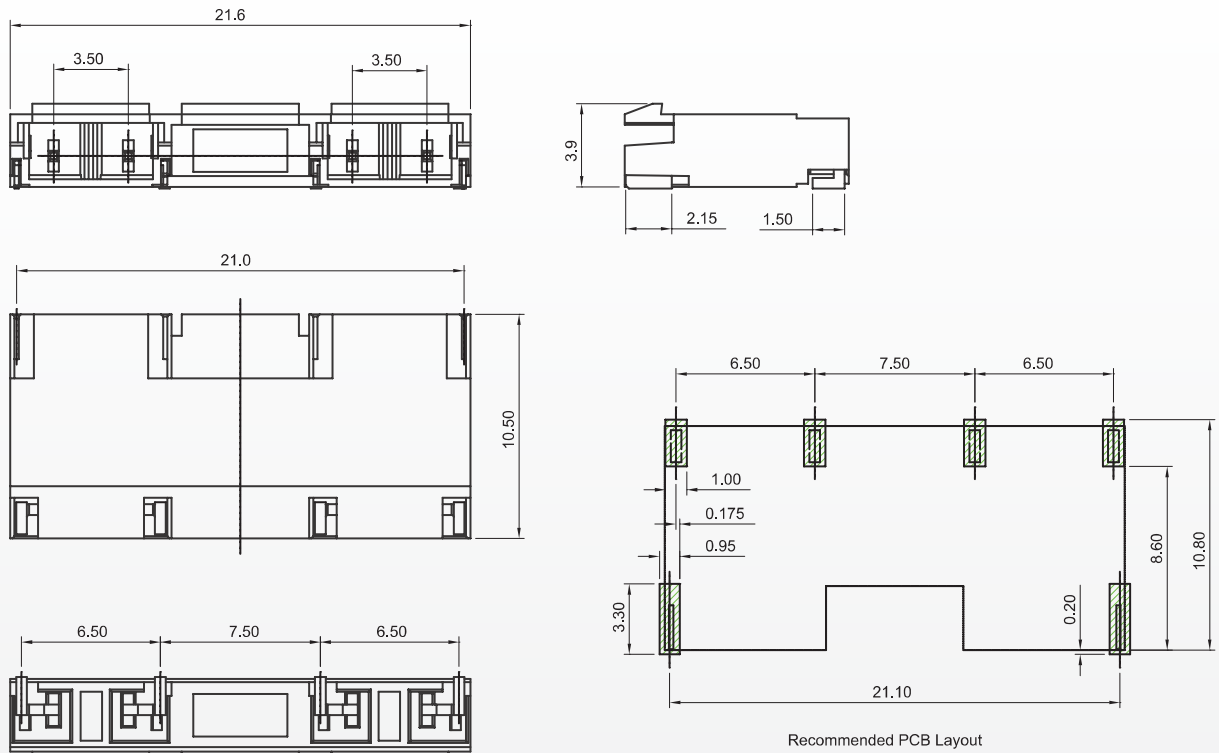


## Wafer < DIP Type > JS-20121-02

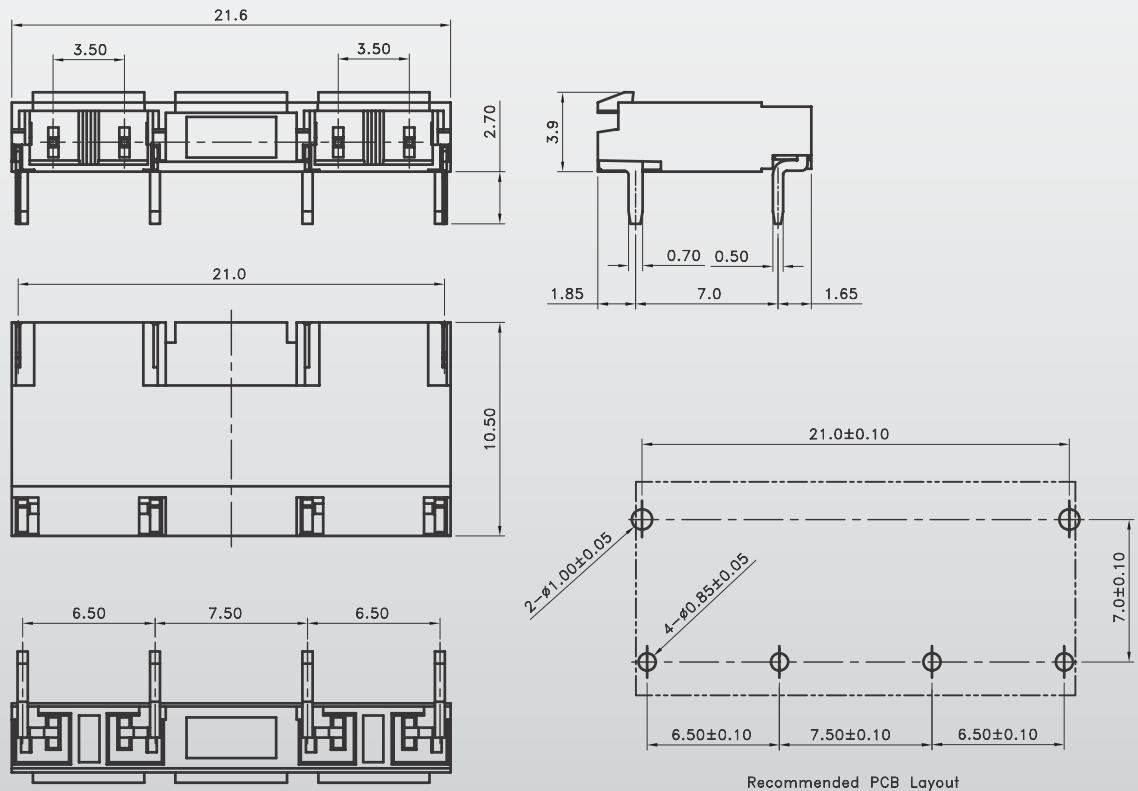


# 3.50mm (.138") High Withstanding Voltage Power Connectors

## Wafer < SMT Type, With Lock > JS-2013D-04 ( 2 in 1 )

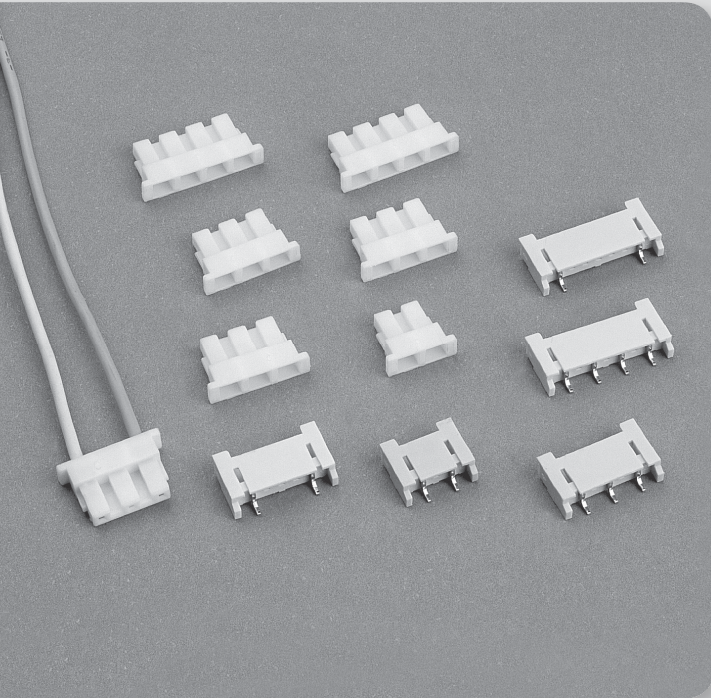


## Wafer < DIP Type, With Lock > JS-20131D-04 ( 2 in 1 )





# 4.0/8.0/12.0mm High Withstanding Voltage Power Connectors



## Specifications

- Voltage Rating : 600V AC/DC
- Current Rating : 1A AC/DC
- Withstanding Voltage : 1,800V AC/minute
- Insulation Resistance : 500MΩ min.
- Temperature Range : -25°C to + 85°C
- Contact Resistance : 20mΩ max.

## Features:

### ■ HOUSING

Part No. : JS-2009

Poles : 2 - 4

Material : Nylon 66 UL94V-0

Q,ty : 1,000 pcs/Bag

### ■ WAFER

Part No. : JS-2010 (SMT Type)

JS-2010-XXHK (With lock)

JS-20101 (DIP Type)

JS-20101-XXHK (With lock)

Poles : 2, 3, 4

Material : Contact : Phos.Bronze Tin Plated

Base : Nylon 9T UL94V-0

Q'ty : 1,000 pcs./Tape & Reel (For JS-2010)

500 pcs./Box (For JS-20101)

### ■ TERMINAL

Part No. : JS-2009-T

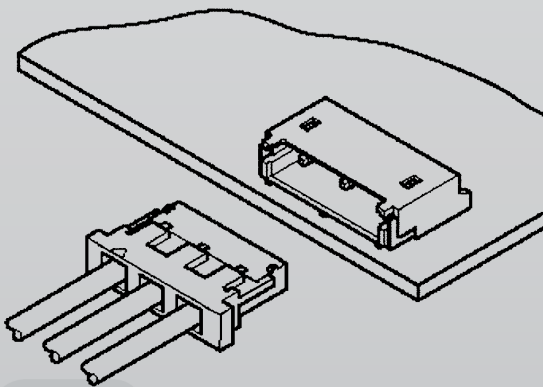
Applicable Wires : AWG# 22 - 28

Material : Phos. Bronze

Finish : Tin Plated

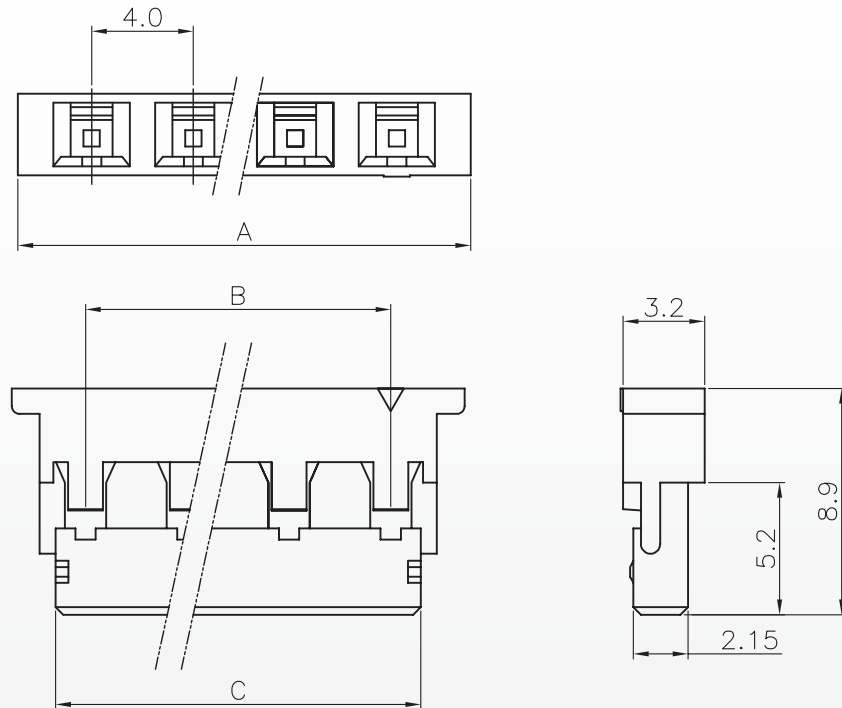
Thickness : 0.2mm

Q'ty : 10,000 pcs/Reel



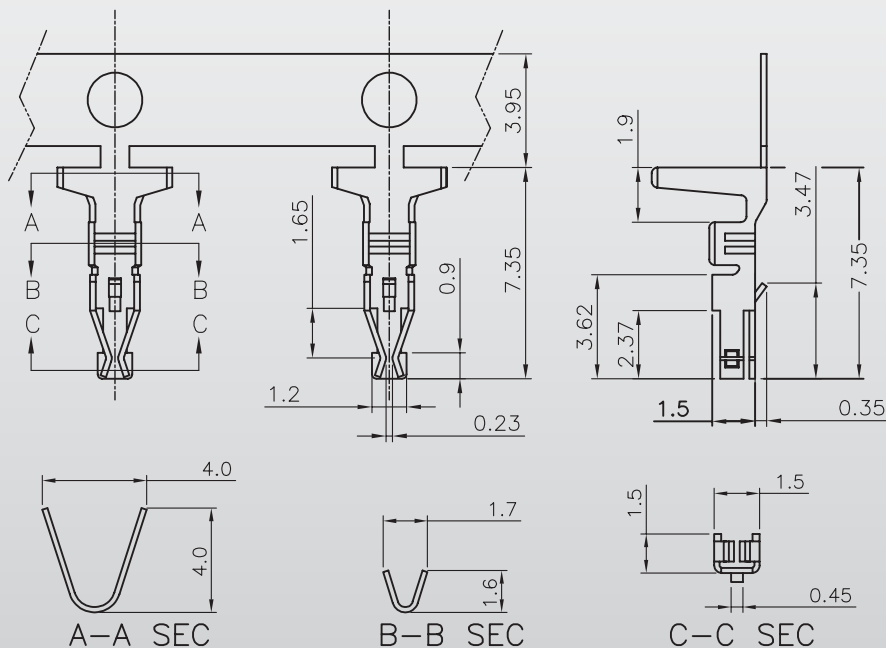
# 4.0/8.0/12.0mm High Withstanding Voltage Power Connectors

## Housing JS-2009



Poles	Part No.	Dimensions (mm)		
		A	B	C
2	JS-2009-02/4mm	9.80	4.0	6.35
3	JS-2009-03/4mm	13.80	8.0	10.35
4	JS-2009-04/4mm	17.80	12.0	14.35

## Terminal JS-2009-T



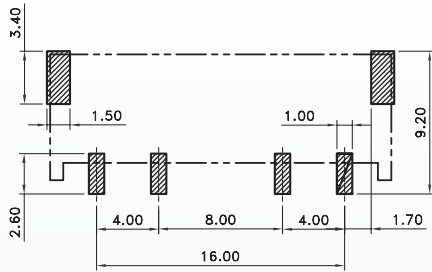
# 4.0/8.0/12.0mm High Withstanding Voltage Power Connectors

## Wafer < SMT Type >

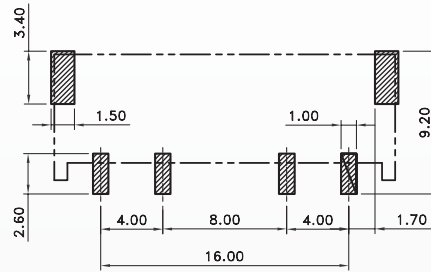
### JS-2010

Wafer(SMT Type)  
JS-2010-XX

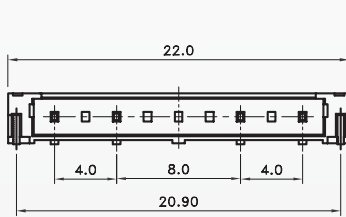
JS-2010-XXHK  
(With Lock)



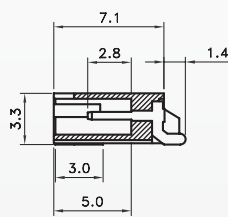
Recommended PCB Layout(Top View)



Recommended PCB Layout(Top View)



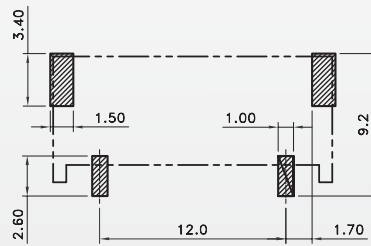
JS-2010-04-4-8-4(9T)



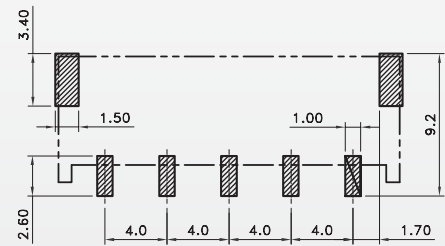
JS-2010-04HK-4-8-4(9T)



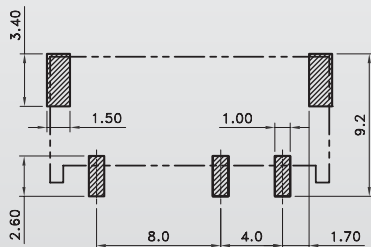
JS-2010-03-8-4(9T)



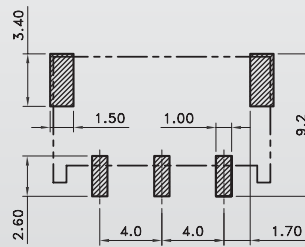
JS-2010-02-12(9T)



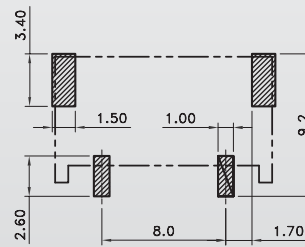
JS-2010-05-4(9T)



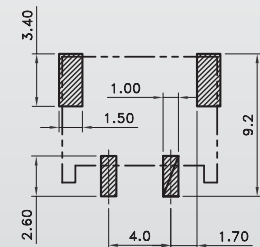
JS-2010-03-8-4(9T)



JS-2010-03-4(9T)



JS-2010-02-8(9T)



JS-2010-02-4(9T)

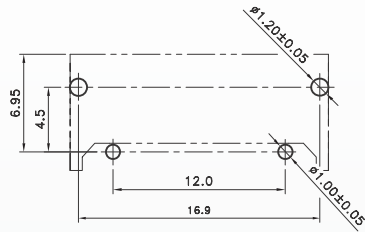
# 4.0/8.0/12.0mm High Withstanding Voltage Power Connectors

## Wafer < DIP Type >

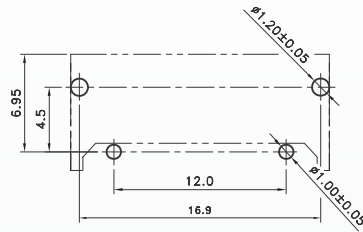
### JS-20101

Wafer (DIP Type)  
JS-20101-XX

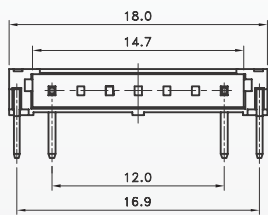
JS-20101-XXHK  
(With Lock)



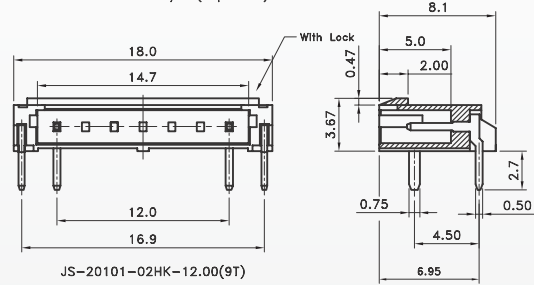
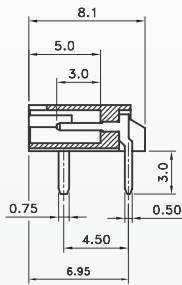
Recommended PCB Layout (Top View)



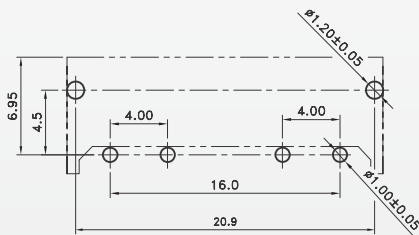
Recommended PCB Layout (Top View)



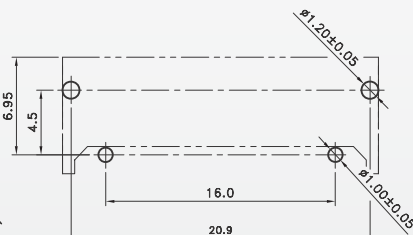
JS-20101-02-12.00(9T)



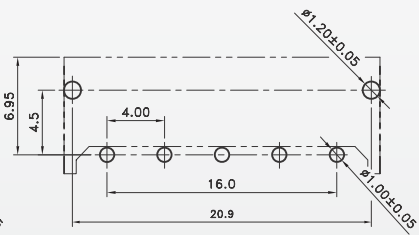
JS-20101-02HK-12.00(9T)



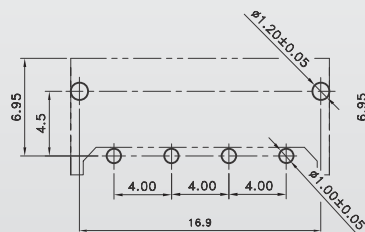
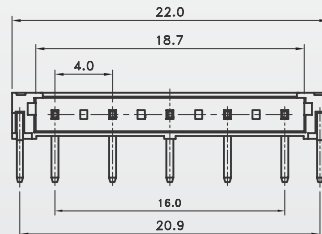
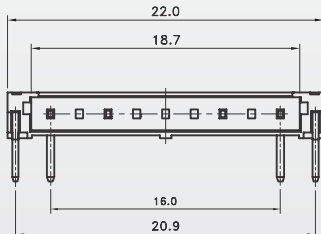
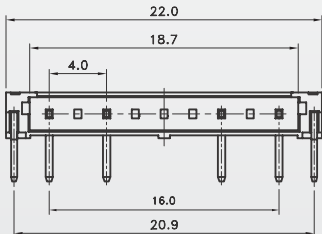
JS-20101-04-4-8-4.00(9T)



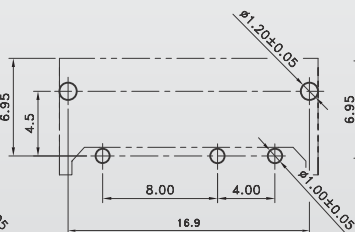
JS-20101-02-16.00(9T)



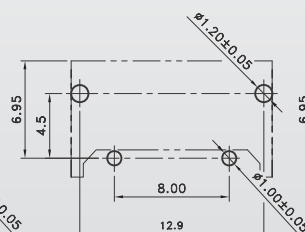
JS-20101-05-4.00(9T)



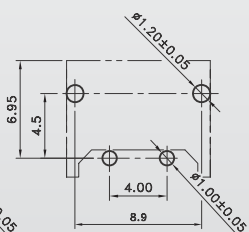
JS-20101-04-4.00(9T)



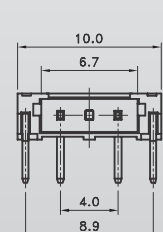
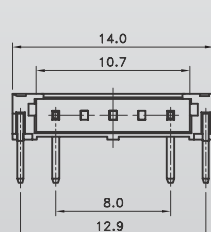
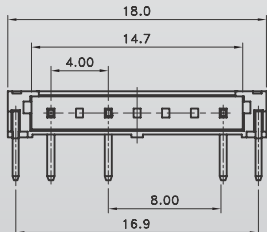
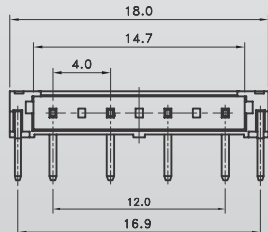
JS-20101-03-8-4.00(9T)



JS-20101-02-8.00(9T)



JS-20101-02-4.00(9T)





4.20mm (.165")

# Double-Row Power Connectors

## Specifications

- Voltage Rating : 250V AC/DC
- Current Rating : 7A AC/DC
- Withstanding Voltage : 1,500V AC/minute
- Insulation Resistance : 1,000MΩ min.
- Temperature Range : -40°C to + 105°C
- Contact Resistance : 20mΩ max.

## Features:

### ■ HOUSING

Part No. : JS-1148 (Plug)

JS-1149 (Receptacle)

Poles : 2 - 24

Material : Nylon 66 UL94V-2 or V0

Q'ty : 1,000 pcs/Bag

### ■ WAFER

Part No. : JS-1150-XX (Straight)

JS-1150SP-XX (Straight, Square Pin)

JS-1151-XX (Straight, With Pegs)

JS-1152-XX (Right Angle)

JS-1153-XX (Right Angle, With Pegs)

JS-1154-XX (Right Angle, With Mount Ear)

Poles : 2 - 24

Material : Contact : Brass, Tin Plated

Base : Nylon 66 UL94V-2 or V0

Q'ty : 1,000 pcs/Bag

### ■ TERMINAL

Part No. : JS-1148-T, JS-1148-TH

JS-1149-T, JS-1149-TH

Applicable Wires : AWG# 18 -24

AWG# 16 (JS-1148-TH)

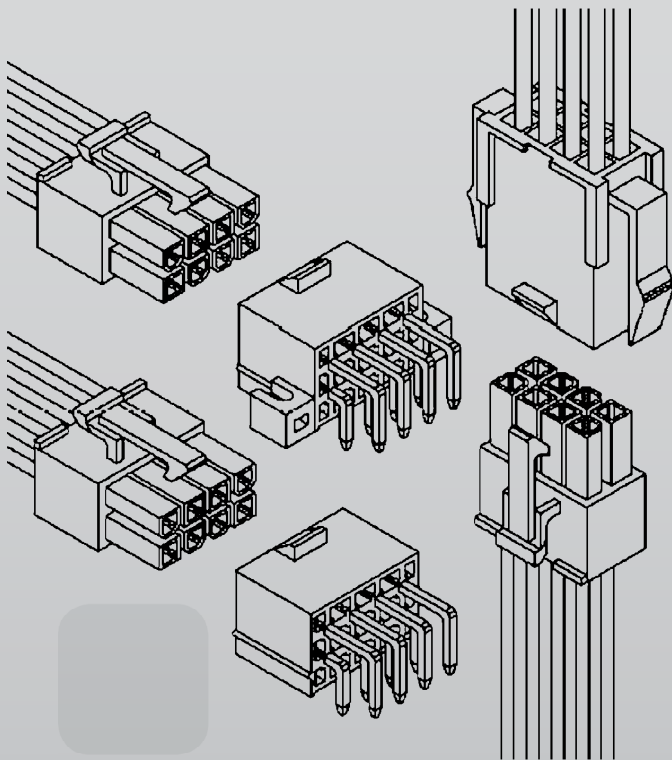
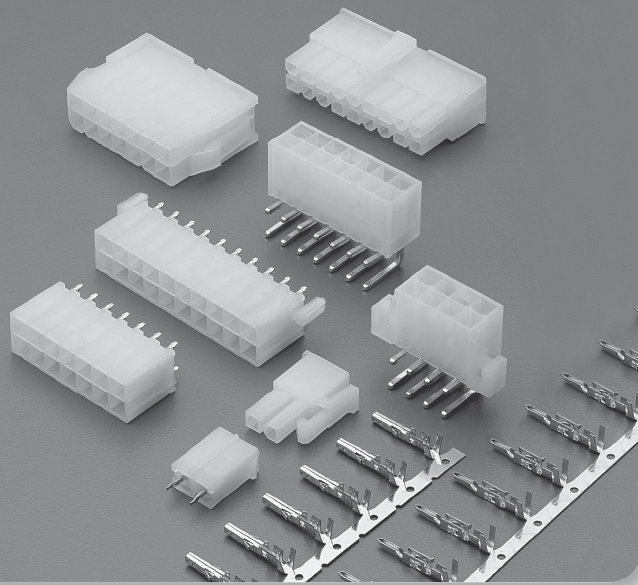
AWG# 16 (JS-1149-TH)

Material : Brass

Finish : Tin Plated

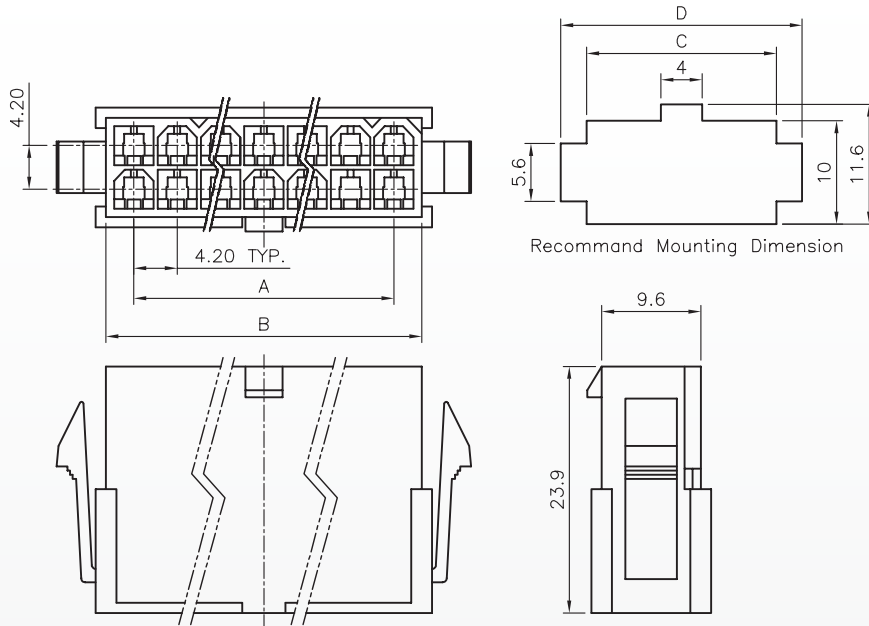
Thickness : 0.2mm

Q'ty : 5,000 pcs/Reel





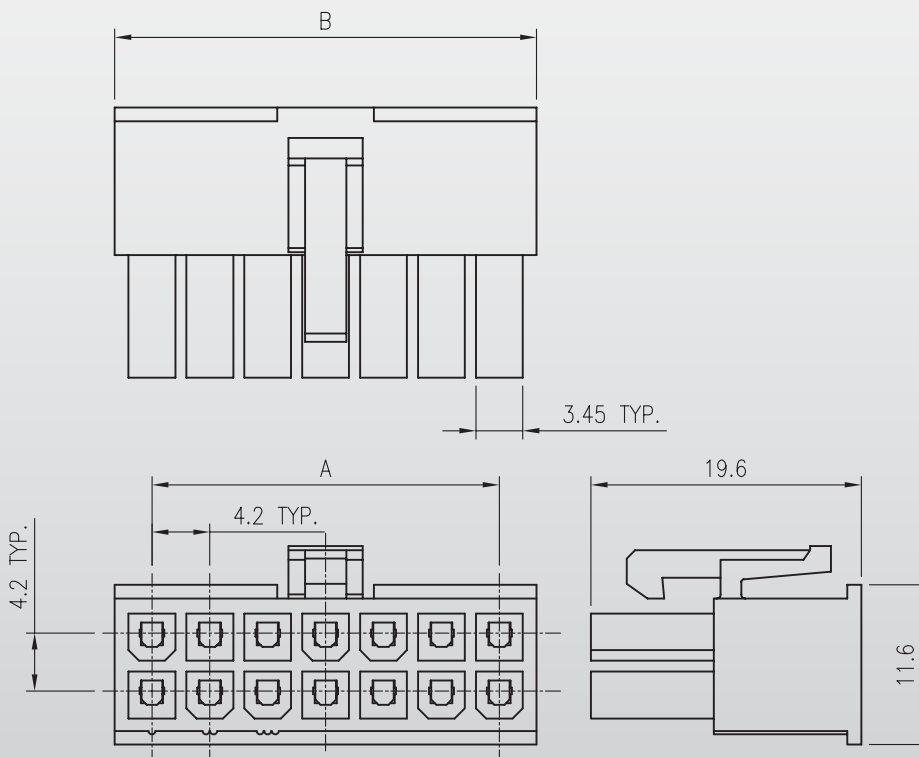
**Housing**  
**JS-1148**



Poles	Part No.		Dimensions (mm)			
	JS-1148	JS-1149	A	B	C	D
2	JS-1148-02	JS-1149-02	-----	5.40	5.80	10.80
4	JS-1148-04	JS-1149-04	4.20	9.60	10.00	15.00
6	JS-1148-06	JS-1149-06	8.40	13.80	14.20	19.20
8	JS-1148-08	JS-1149-08	12.60	18.00	18.40	23.40
10	JS-1148-10	JS-1149-10	16.80	22.20	22.60	27.60
12	JS-1148-12	JS-1149-12	21.00	26.40	26.80	31.80

Poles	Part No.		Dimensions (mm)			
	JS-1148	JS-1149	A	B	C	D
14	JS-1148-14	JS-1149-14	25.20	30.60	31.00	36.00
16	JS-1148-16	JS-1149-16	29.40	34.80	35.20	35.20
18	JS-1148-18	JS-1149-18	33.60	39.00	39.40	39.40
20	JS-1148-20	JS-1149-20	37.80	43.20	43.60	43.60
22	JS-1148-22	JS-1149-22	42.00	47.40	47.80	47.80
24	JS-1148-24	JS-1149-24	46.20	51.60	52.00	52.00

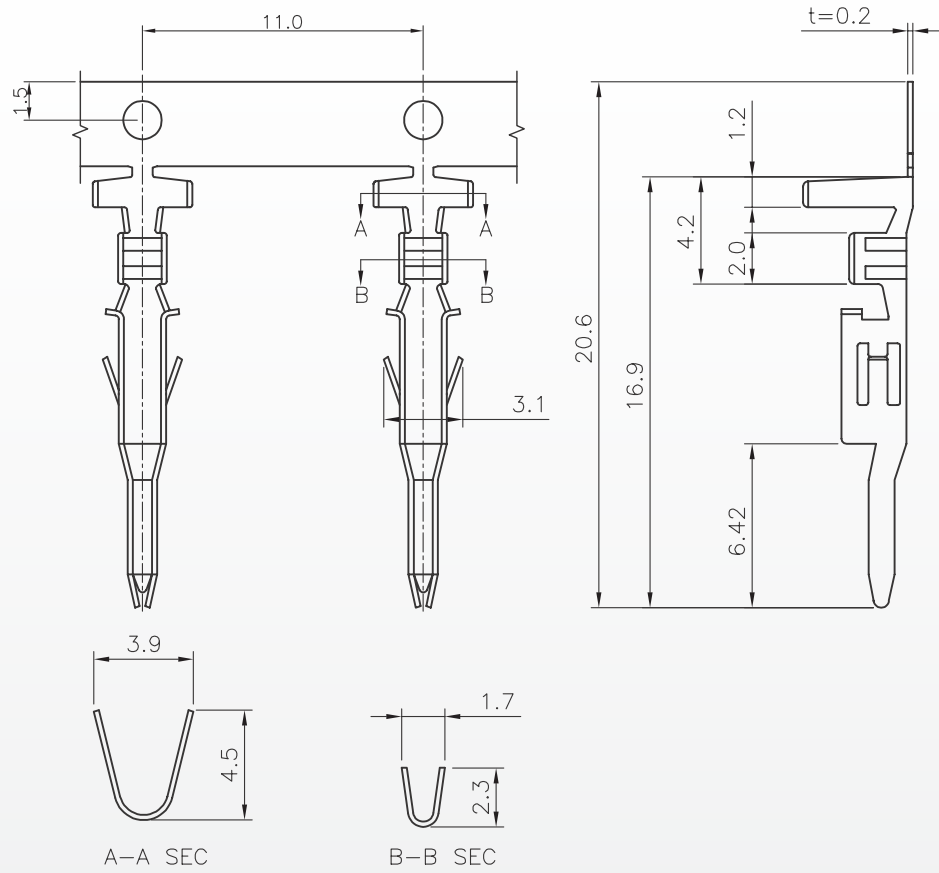
**Housing**  
**JS-1149**



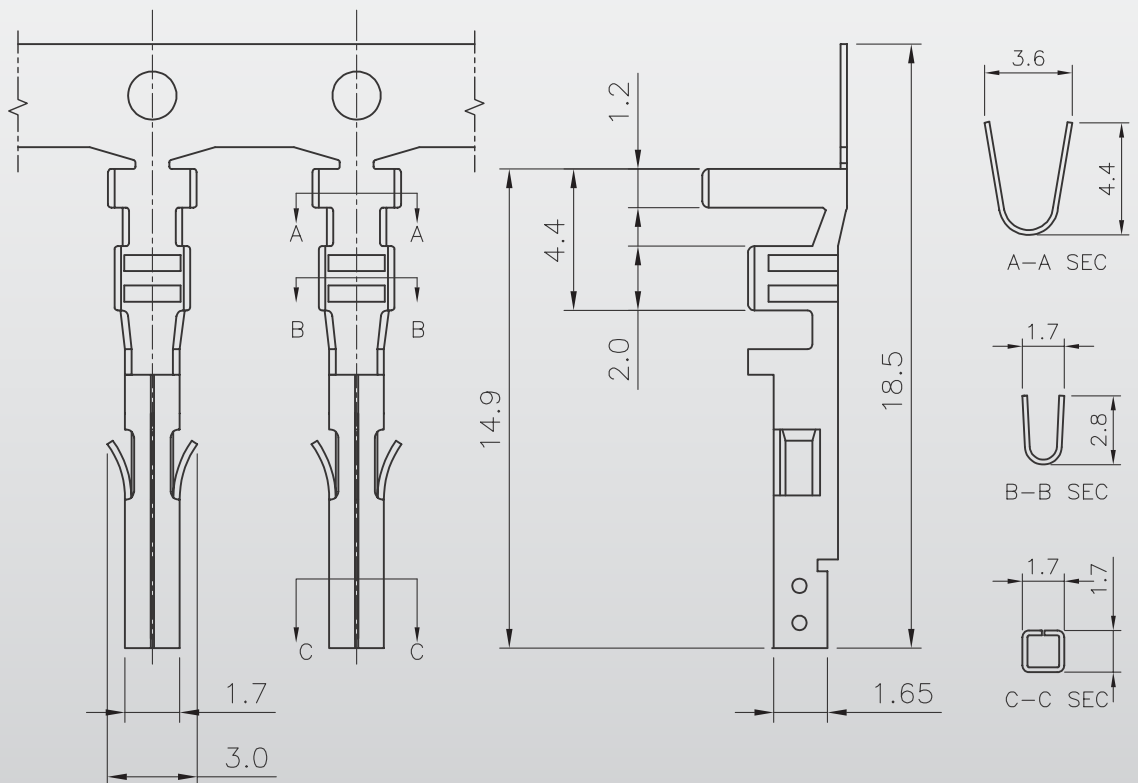
4.20mm (.165")

# Double-Row Power Connectors

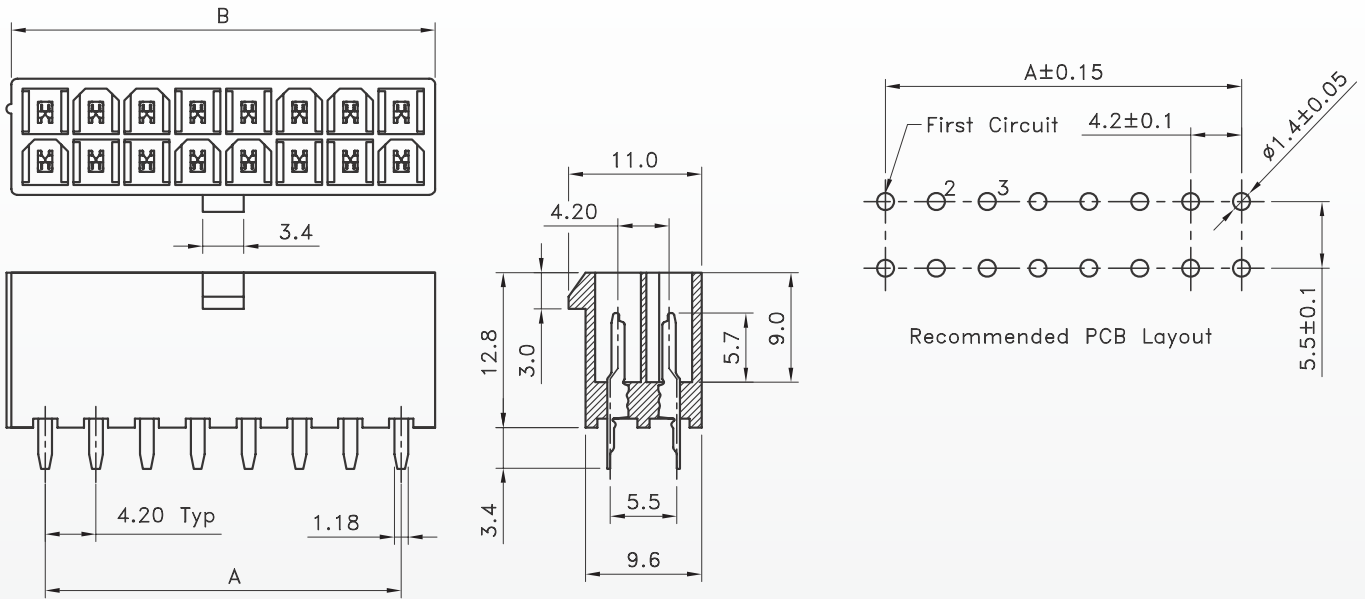
## Terminal JS-1148-T



## Terminal JS-1149-T



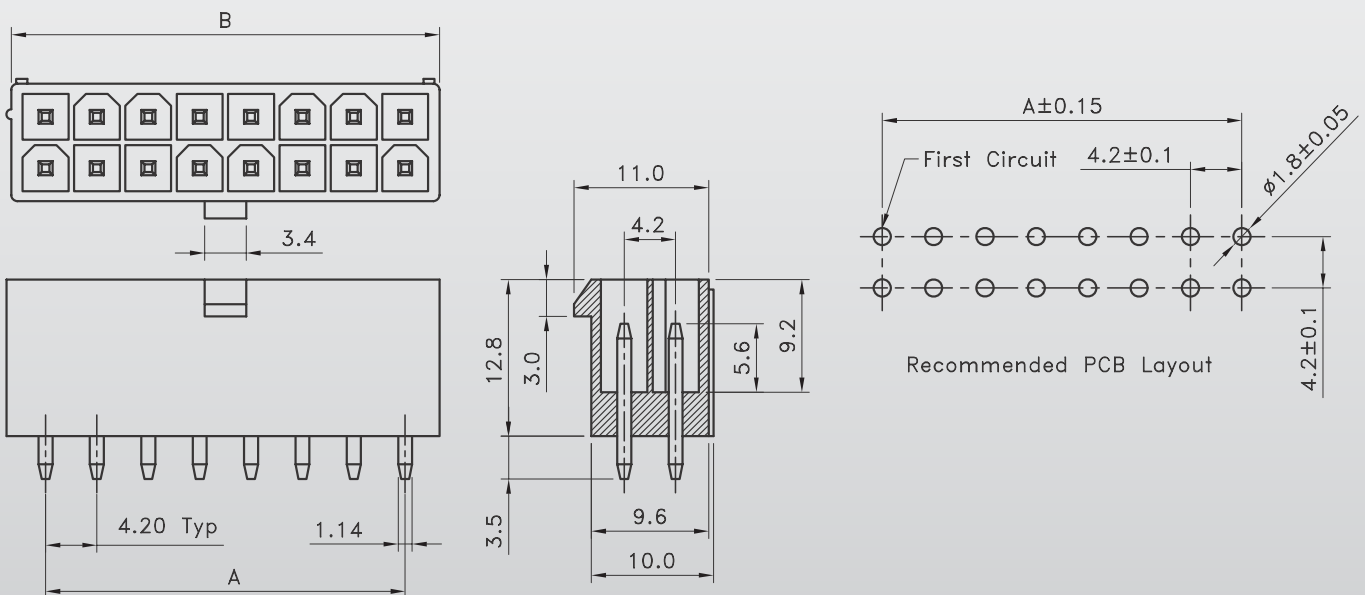
**Wafer - Straight**  
**JS-1150**



Poles	Part No.		Dimensions (mm)	
	JS-1150	JS-1150SP	A	B
2	JS-1150-02	JS-1150SP-02	---	5.60
4	JS-1150-04	JS-1150SP-04	4.20	9.80
6	JS-1150-06	JS-1150SP-06	8.40	14.00
8	JS-1150-08	JS-1150SP-08	12.60	18.20
10	JS-1150-10	JS-1150SP-10	16.80	22.40
12	JS-1150-12	JS-1150SP-12	21.00	26.60

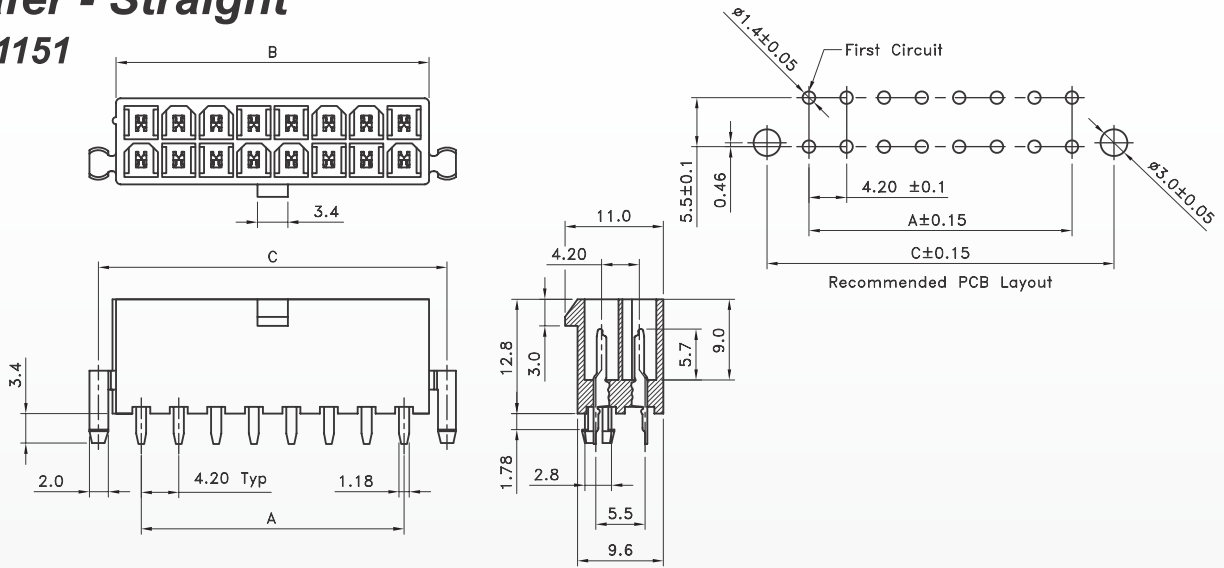
Poles	Part No.		Dimensions (mm)	
	JS-1150	JS-1150SP	A	B
14	JS-1150-02	JS-1150SP-14	25.20	30.80
16	JS-1150-04	JS-1150SP-16	29.40	35.00
18	JS-1150-06	JS-1150SP-18	33.60	39.20
20	JS-1150-08	JS-1150SP-20	37.80	43.40
22	JS-1150-10	JS-1150SP-22	42.00	47.60
24	JS-1150-12	JS-1150SP-24	46.20	51.80

**Wafer - Straight**  
**JS-1150SP**



**Wafer - Straight**

**JS-1151**

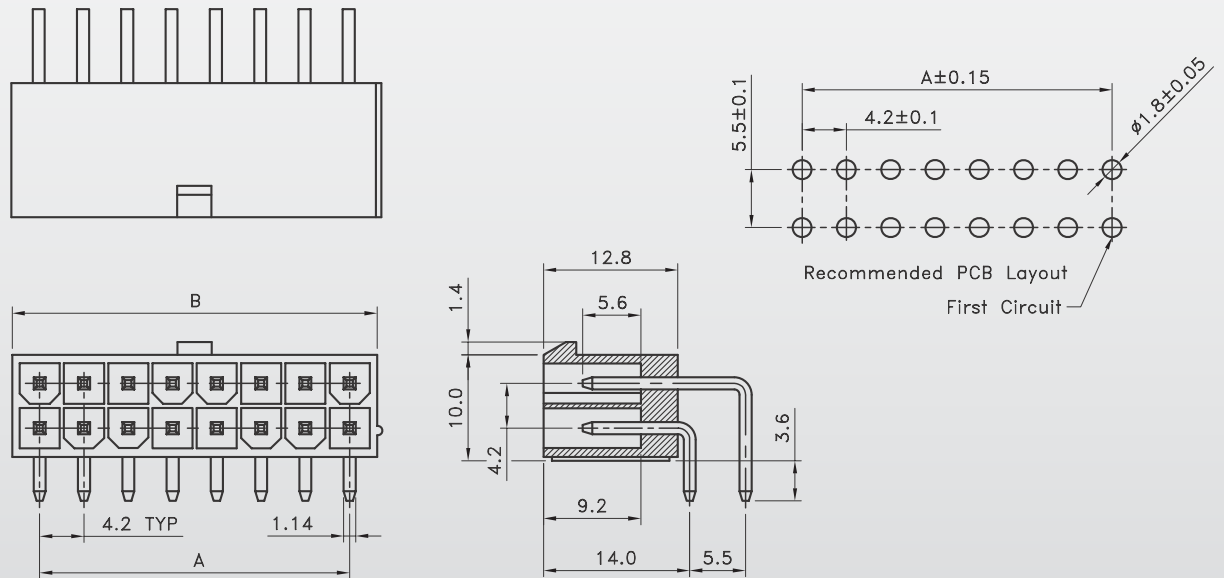


Poles	Part No.	Dimensions (mm)		
		A	B	C
2	JS-1151-02	---	5.60	9.40
4	JS-1151-04	4.20	9.80	13.60
6	JS-1151-06	8.40	14.00	17.80
8	JS-1151-08	12.60	18.20	22.00
10	JS-1151-10	16.80	22.40	26.20
12	JS-1151-12	21.00	26.60	30.40

Poles	Part No.	Dimensions (mm)		
		A	B	C
14	JS-1151-14	25.20	30.80	34.60
16	JS-1151-16	29.40	35.00	38.80
18	JS-1151-18	33.60	39.20	43.00
20	JS-1151-20	37.80	43.40	47.20
22	JS-1151-22	42.00	47.60	51.40
24	JS-1151-24	46.20	51.80	55.60

**Wafer - Right Angle**

**JS-1152**



Poles	Part No.	Dimensions (mm)	
		A	B
2	JS-1152-02	---	5.60
4	JS-1152-04	4.20	9.80
6	JS-1152-06	8.40	14.00
8	JS-1152-08	12.60	18.20
10	JS-1152-10	16.80	22.40
12	JS-1152-12	21.00	26.60

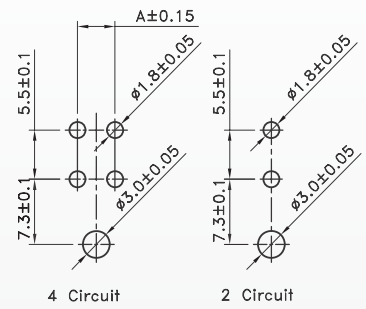
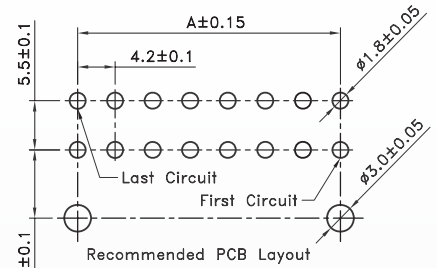
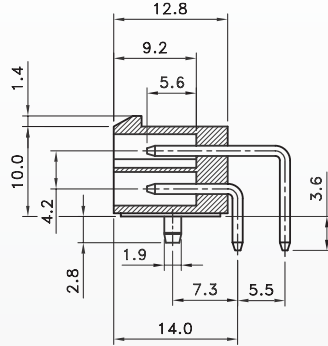
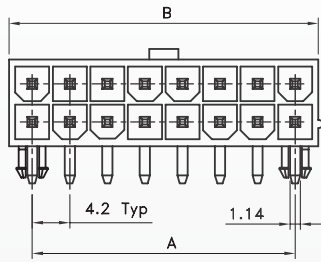
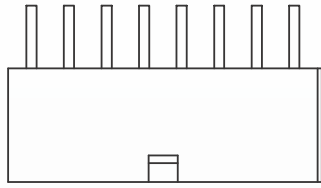
Poles	Part No.	Dimensions (mm)	
		A	B
14	JS-1152-14	25.20	30.80
16	JS-1152-16	29.40	35.00
18	JS-1152-18	33.60	39.20
20	JS-1152-20	37.80	43.40
22	JS-1152-22	42.00	47.60
24	JS-1152-24	46.20	51.80

4.20mm (.165")

# Double-Row Power Connectors

## Wafer - Right Angle

JS-1153

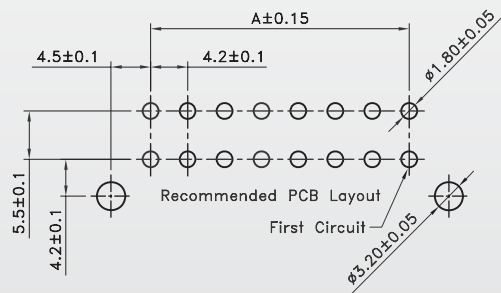
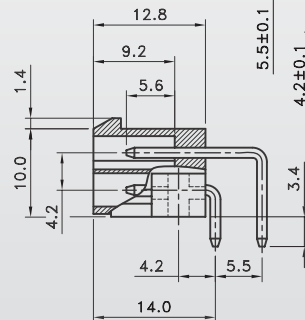
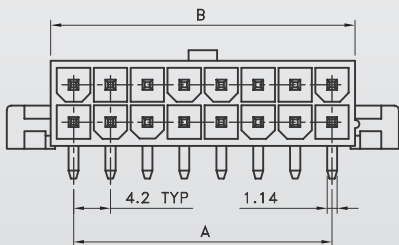
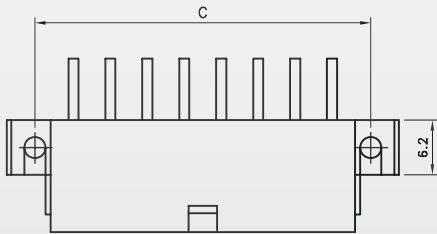


Poles	Part No.	Dimensions (mm)	
		A	B
2	JS-1153-02	---	5.60
4	JS-1153-04	4.20	9.80
6	JS-1153-06	8.40	14.00
8	JS-1153-08	12.60	18.20
10	JS-1153-10	16.80	22.40
12	JS-1153-12	21.00	26.60

Poles	Part No.	Dimensions (mm)	
		A	B
14	JS-1153-14	25.20	30.80
16	JS-1153-16	29.40	35.00
18	JS-1153-18	33.60	39.20
20	JS-1153-20	37.80	43.40
22	JS-1153-22	42.00	47.60
24	JS-1153-24	46.20	51.80

## Wafer - Straight

JS-1154



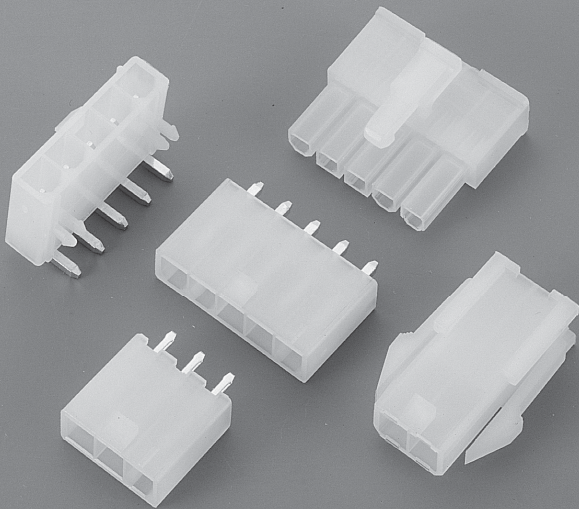
Poles	Part No.	Dimensions (mm)		
		A	B	C
2	JS-1154-02	---	5.60	9.40
4	JS-1154-04	4.20	9.80	13.60
6	JS-1154-06	8.40	14.00	17.80
8	JS-1154-08	12.60	18.20	22.00
10	JS-1154-10	16.80	22.40	26.20
12	JS-1154-12	21.00	26.60	30.40

Poles	Part No.	Dimensions (mm)		
		A	B	C
14	JS-1154-14	25.20	30.80	34.60
16	JS-1154-16	29.40	35.00	38.80
18	JS-1154-18	33.60	39.20	43.00
20	JS-1154-20	37.80	43.40	47.20
22	JS-1154-22	42.00	47.60	51.40
24	JS-1154-24	46.20	51.80	55.60



4.20mm (.165")

# Single-Row Power Connectors



## Specifications

- Voltage Rating : 250V AC/DC
- Current Rating : 7A AC/DC
- Withstanding Voltage : 1,500V AC/minute
- Insulation Resistance : 1,000MΩ min.
- Temperature Range : -40°C to + 105°C
- Contact Resistance : 20mΩ max.

## Features:

### ■ HOUSING

Part No. : JS-1148S(Plug)

JS-1149S(Receptacle)

Poles : 2 - 6

Material : Nylon 66 UL94V-2 or V0

Q'ty : 1,000 pcs/Bag

### ■ WAFER

Part No. : JS-1150S-XX (Straight)

JS-1150SSP-XX(Straight, Square Pin)

JS-1151S-XX(Straight, With Pegs)

JS-1152S-XX( Right Angle)

JS-1153S-XX(Right Angle, With Pegs)

Poles : 2 - 24

Material : Contact : Brass, Tin Plated

Base : Nylon 66 UL94V-2 or V0

Q'ty : 1,000 pcs/Bag

### ■ TERMINAL

Part No. : JS-1148-T

JS-1149-T

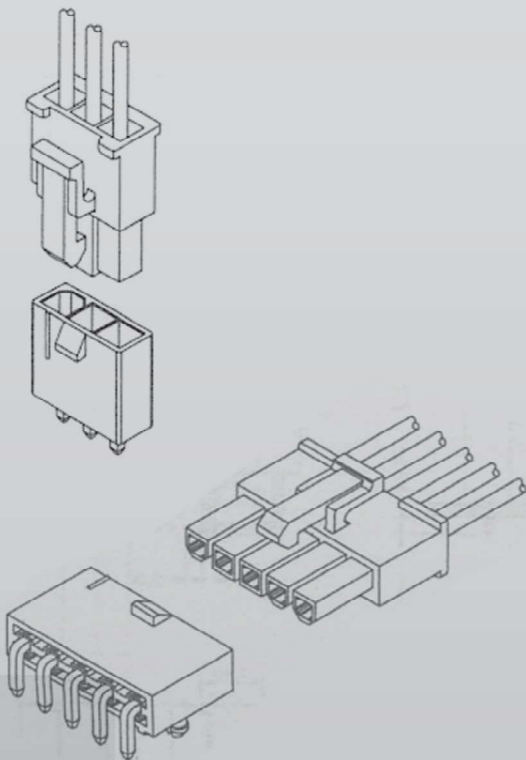
Applicable Wires : AWG# 18 -24

Material : Brass

Finish : Tin Plated

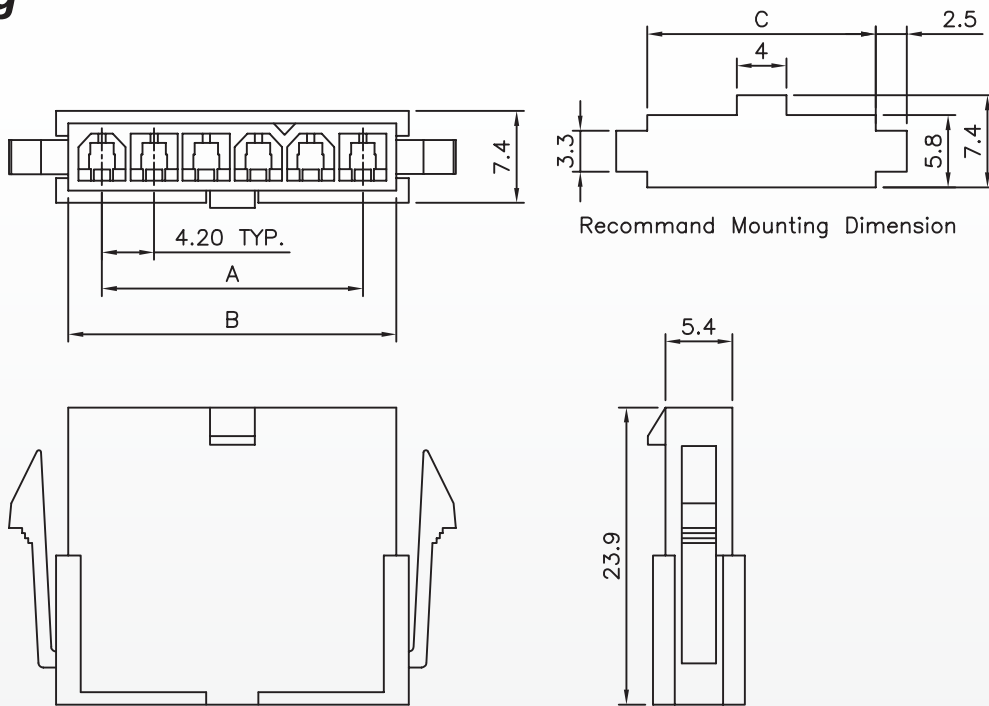
Thickness : 0.2mm

Q'ty : 5,000 pcs/Reel

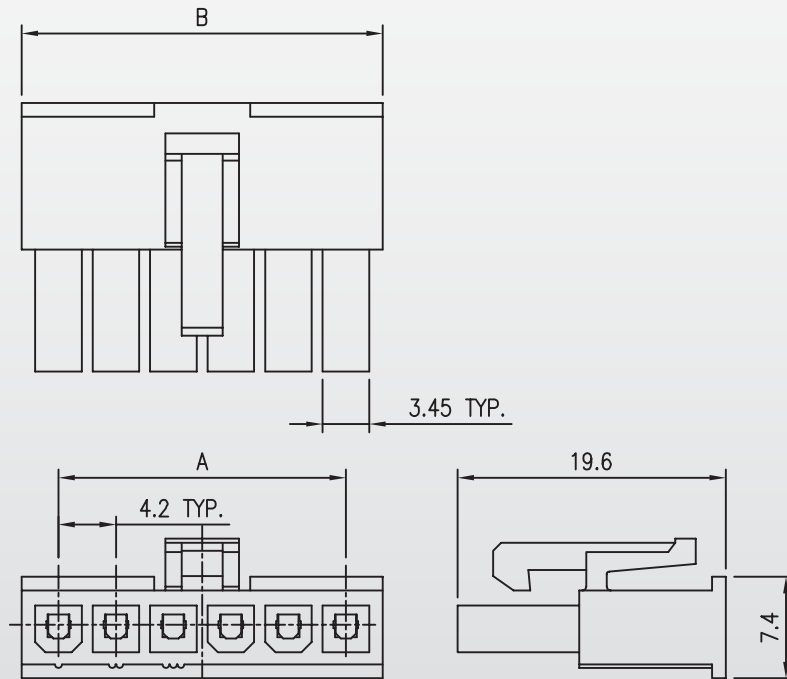


# 4.20mm (.165") Single-Row Power Connectors

## Housing JS-1148S

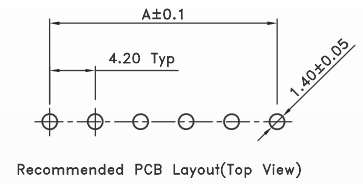
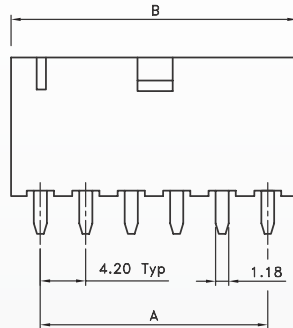
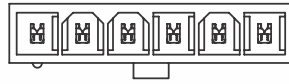


## Housing JS-1149S

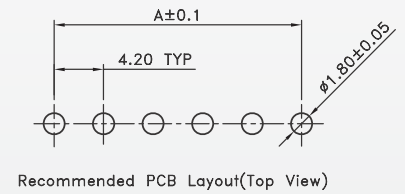
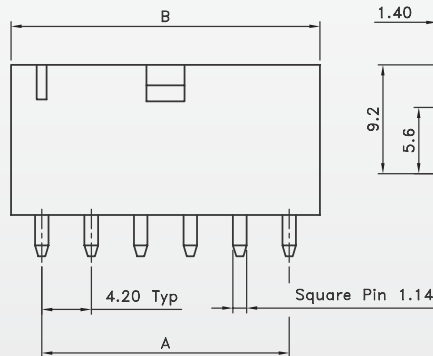
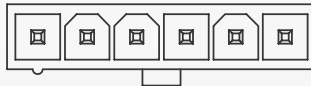


Poles	Part No.		Dimensions (mm)		
	JS-1148S	JS-1149S	A	B	C
2	JS-1148S-02	JS-1149S-02	4.20	9.60	9.60
3	JS-1148S-03	JS-1149S-03	8.40	13.80	19.20
4	JS-1148S-04	JS-1149S-04	12.60	18.00	23.40
5	JS-1148S-05	JS-1149S-05	16.80	22.20	27.60
6	JS-1148S-06	JS-1149S-06	21.00	26.40	31.80

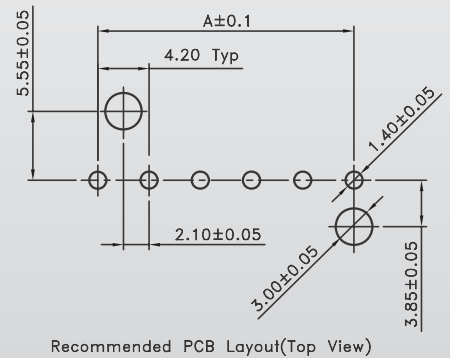
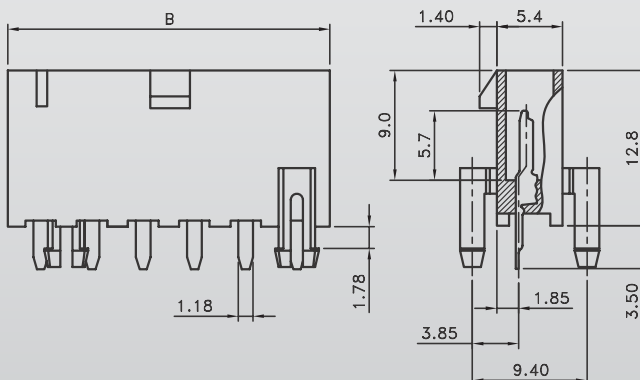
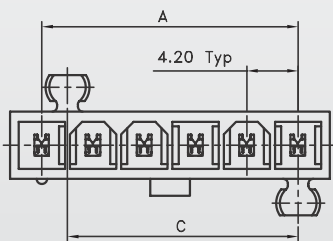
**Wafer - Straight**  
**JS-1150S**



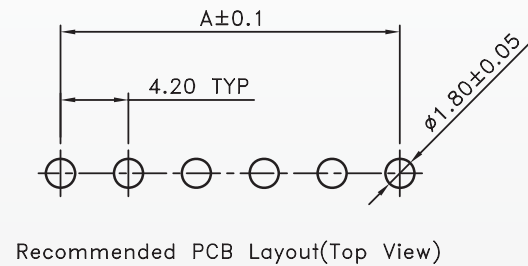
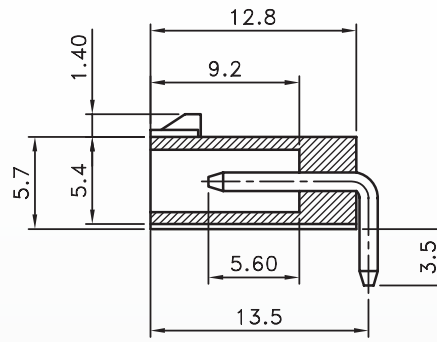
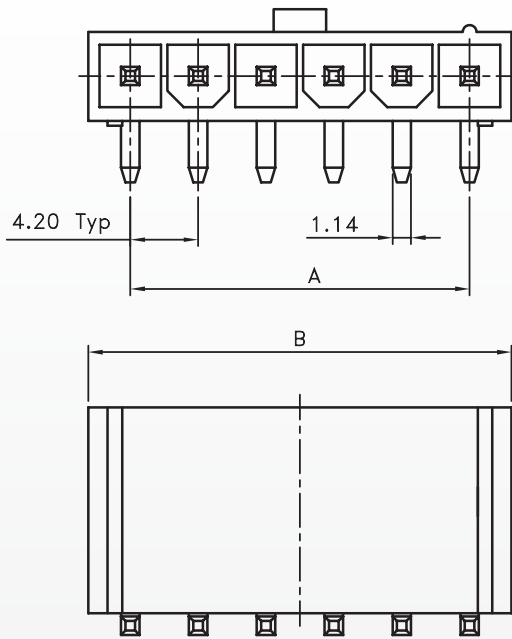
**Wafer - Straight**  
**JS-1150SSP**



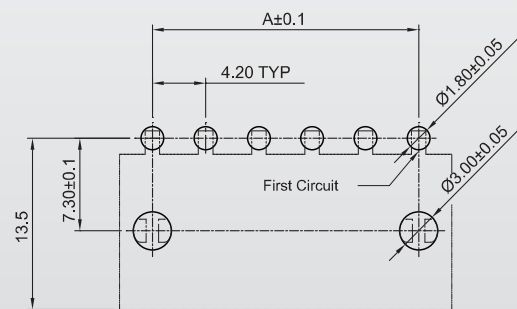
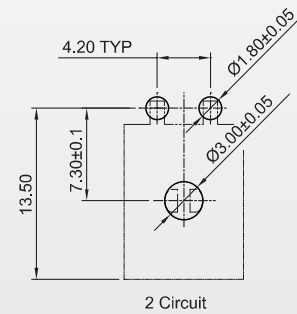
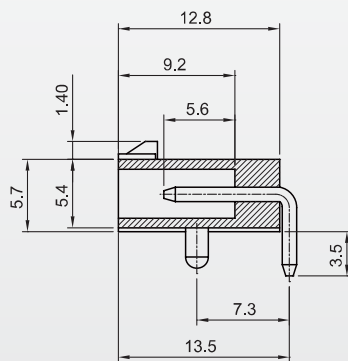
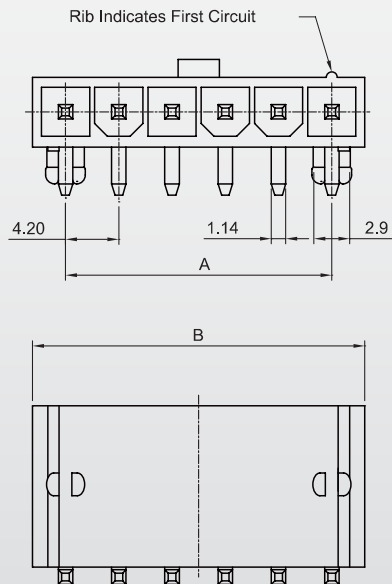
**Wafer - Straight**  
**JS-1151S**



**Wafer - Right Angle**  
**JS-1152S**



**Wafer - Right Angle**  
**JS-1153S**



Recommended PCB Layout (Top View)

Poles	Part No.					Dimensions (mm)		
	JS-1150S	JS-1150S	JS-1151S	JS-1152S	JS-1153S	A	B	C
2	JS-1150S-02	JS-1150SSP-02	JS-1151S-02	JS-1152S-02	JS-1153S-02	4.20	9.60	---
3	JS-1150S-03	JS-1150SSP-03	JS-1151S-03	JS-1152S-03	JS-1153S-03	8.40	13.80	6.30
4	JS-1150S-04	JS-1150SSP-04	JS-1151S-04	JS-1152S-04	JS-1153S-04	12.60	18.00	10.50
5	JS-1150S-05	JS-1150SSP-05	JS-1151S-05	JS-1152S-05	JS-1153S-05	16.80	22.20	14.70
6	JS-1150S-06	JS-1150SSP-06	JS-1151S-06	JS-1152S-06	JS-1153S-06	21.00	26.40	18.90



4.20mm (.165")

# BMI Power Connectors

## Specifications

- Voltage Rating : 600V AC/DC
- Current Rating : 9A AC/DC
- Withstanding Voltage : 1,500V AC/minute
- Insulation Resistance : 1,000MΩ min.
- Temperature Range : -40°C to + 105°C
- Contact Resistance : 10mΩ max.

## Features:

### ■ HOUSING

Part No. : JS-1148I-XX(Plug)

JS-1149IA-XX(Receptacle)

Poles : 2 - 24

Material : Nylon 66 UL94V-0

Q'ty : 1,000 pcs/Bag

### ■ WAFER

Part No. : JS-1149IB-XX(Receptacle Wafer)

JS-1151I-XX(Plug Wafer; Straight)

JS-1153I-XX(Plug Wafer; Right Angle)

Poles : 2 - 24

Material : Contact : Brass, Tin Plated

Base : Nylon 66 UL94V-0

Q'ty : 1,000 pcs/Bag

### ■ TERMINAL

Part No. : JS-1148-T

JS-1149-T

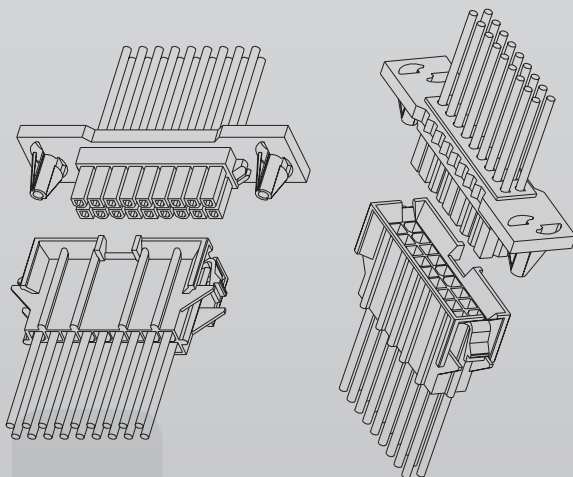
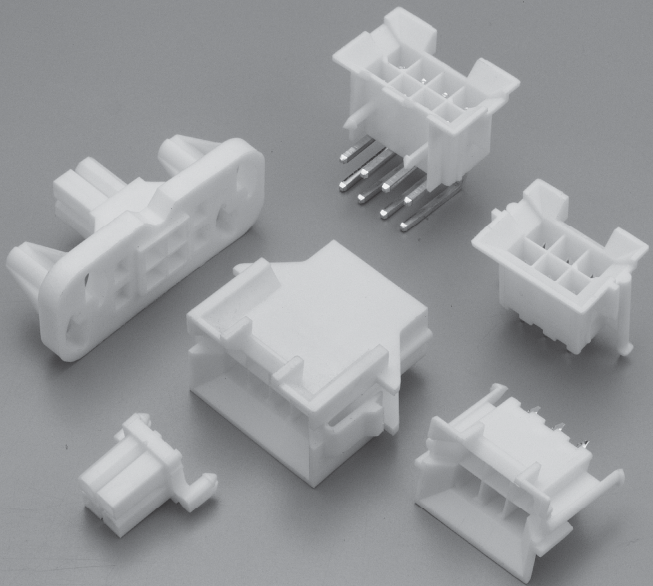
Applicable Wires : AWG# 18 -24

Material : Brass

Finish : Tin Plated

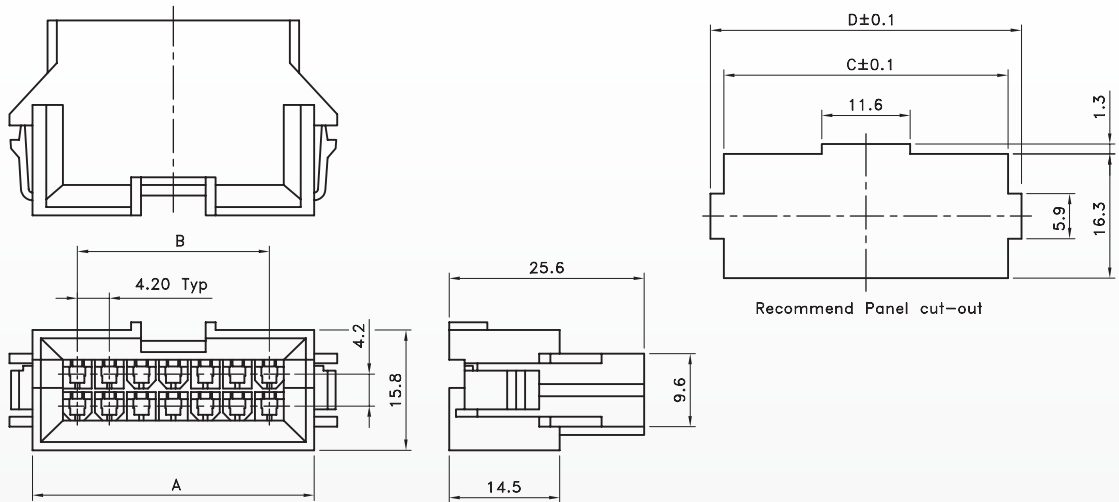
Thickness : 0.2mm

Q'ty : 5,000 pcs/Reel





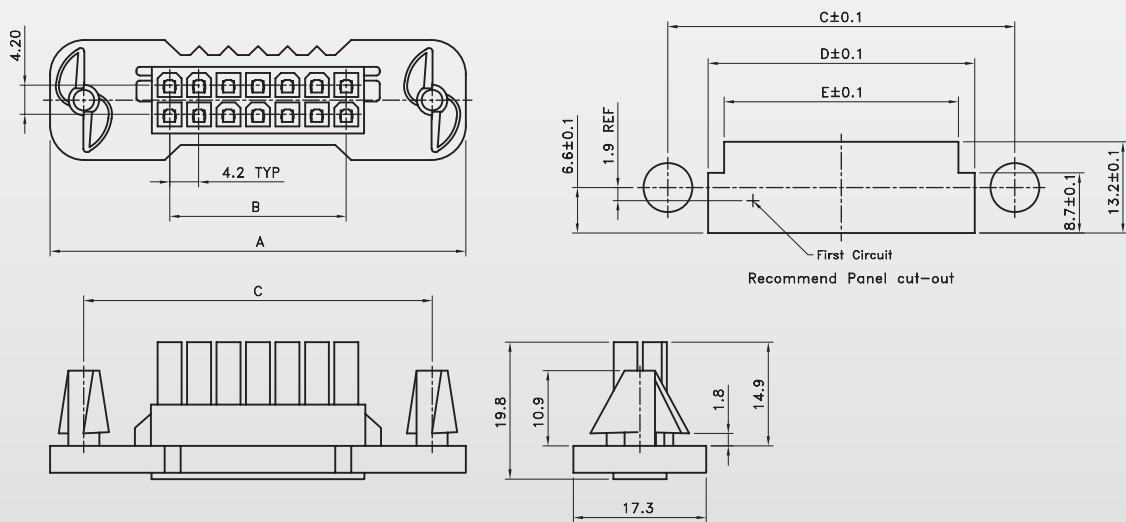
### Housing JS-1148I



Poles	Part No.	Dimensions (mm)			
	JS-1148I	A	B	C	D
02	JS-1148I-02	11.6	---	12.1	15.6
04	JS-1148I-04	15.8	4.2	16.3	19.8
06	JS-1148I-06	20.0	8.4	20.5	24.0
08	JS-1148I-08	24.2	12.6	24.7	28.2
10	JS-1148I-10	28.4	16.8	28.9	32.4
12	JS-1148I-12	32.6	21.0	33.1	36.6

Poles	Part No.	Dimensions (mm)			
	JS-1148I	A	B	C	D
14	JS-1148I-14	36.8	25.2	37.3	40.8
16	JS-1148I-16	41.0	29.4	41.5	45.0
18	JS-1148I-18	45.2	33.6	45.7	49.2
20	JS-1148I-20	49.4	37.8	49.9	53.4
22	JS-1148I-22	53.6	42.0	54.1	57.6
24	JS-1148I-24	57.8	46.2	58.3	61.8

### Housing JS-1149IA

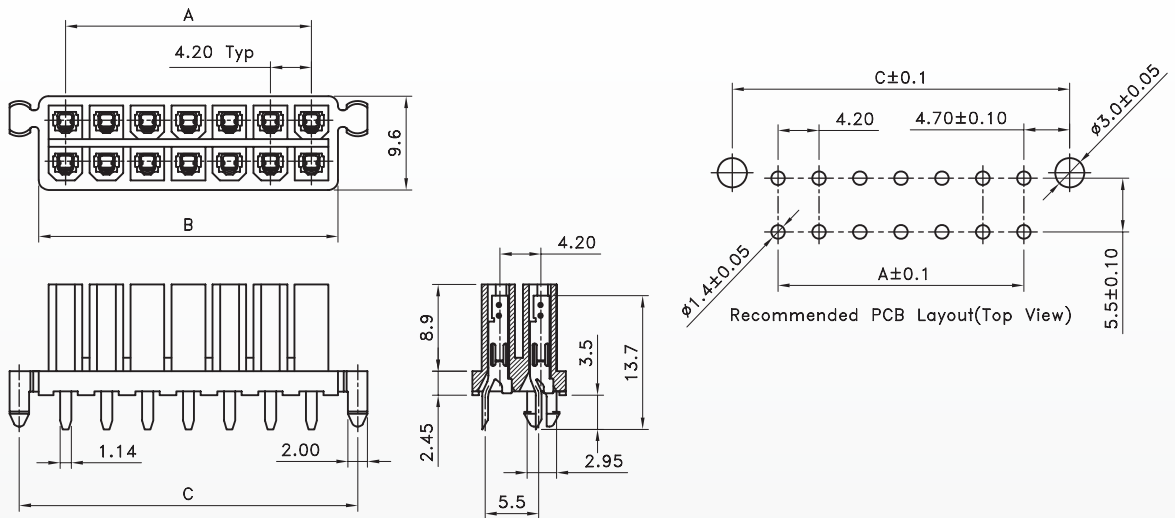


Poles	Part No.	Dimensions (mm)				
	JS-1149IA	A	B	C	D	E
02	JS-1149IA-02	36.0	---	25.0	13.4	8.7
04	JS-1149IA-04	40.2	4.2	29.2	17.6	12.9
06	JS-1149IA-06	44.4	8.4	33.4	21.8	17.1
08	JS-1149IA-08	48.6	12.6	37.6	26.0	21.3
10	JS-1149IA-10	52.8	16.8	41.8	30.2	25.5
12	JS-1149IA-12	57.0	21.0	46.0	34.4	29.7

Poles	Part No.	Dimensions (mm)				
	JS-1149IA	A	B	C	D	E
14	JS-1149IA-02	61.2	25.2	50.2	38.6	33.9
16	JS-1149IA-04	65.4	29.4	54.4	42.8	38.1
18	JS-1149IA-06	69.6	33.6	58.6	47.0	42.3
20	JS-1149IA-08	73.8	37.8	62.8	51.2	46.5
22	JS-1149IA-10	78.0	42.0	67.0	55.4	50.7
24	JS-1149IA-12	82.2	46.2	71.2	59.6	54.9

**Wafer**

**JS-1149IB**

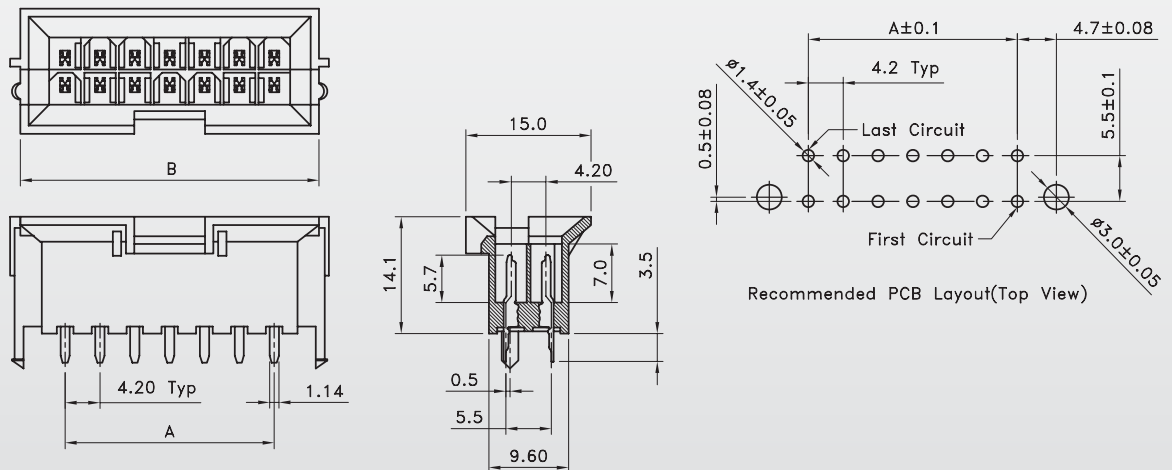


Poles	Part No.	Dimensions (mm)		
	JS-1149IB	A	B	C
02	JS-1149IB-02	---	5.4	9.4
04	JS-1149IB-04	4.2	9.6	13.6
06	JS-1149IB-06	8.4	13.8	17.8
08	JS-1149IB-08	12.6	18.0	22.0
10	JS-1149IB-10	16.8	22.2	26.2
12	JS-1149IB-12	21.0	26.4	30.4

Poles	Part No.	Dimensions (mm)		
	JS-1149IB	A	B	C
14	JS-1149IB-14	25.2	30.6	34.6
16	JS-1149IB-16	29.4	34.8	38.8
18	JS-1149IB-18	33.6	39.0	43.0
20	JS-1149IB-20	37.8	43.2	47.2
22	JS-1149IB-22	42.0	47.4	51.4
24	JS-1149IB-24	46.2	51.6	55.6

**Wafer**

**JS-1151I**



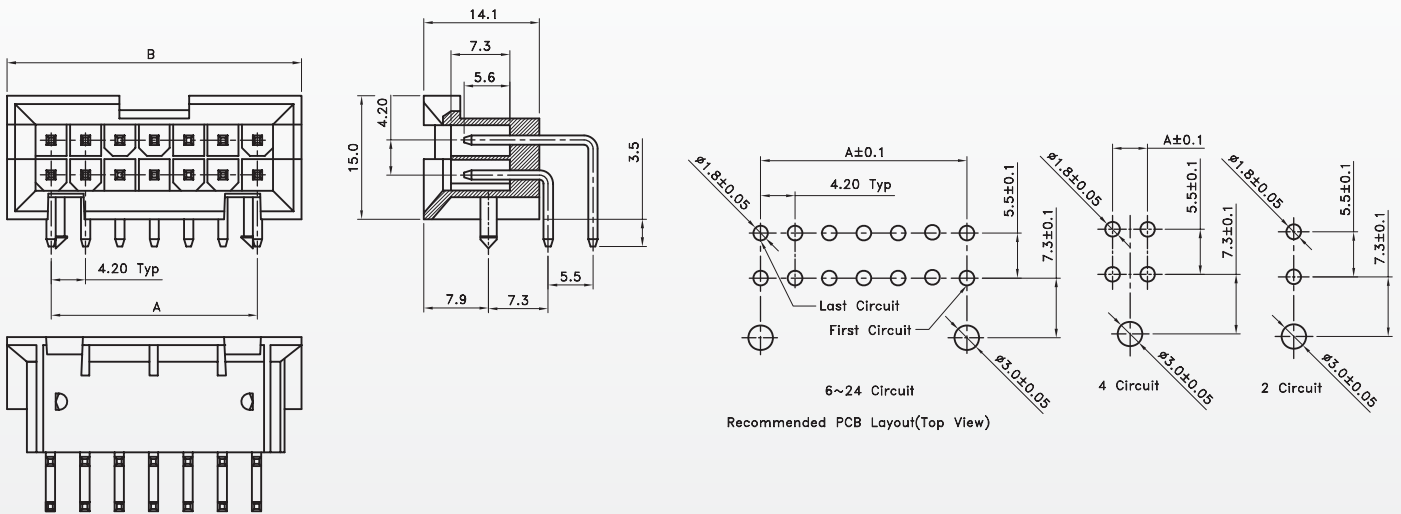
Poles	Part No.	Dimensions (mm)	
	JS-1151I	A	B
02	JS-1151I-02	---	11.0
04	JS-1151I-04	4.2	15.2
06	JS-1151I-06	8.4	19.4
08	JS-1151I-08	12.6	23.6
10	JS-1151I-10	16.8	27.8
12	JS-1151I-12	21.0	32.0

Poles	Part No.	Dimensions (mm)	
	JS-1151I	A	B
14	JS-1151I-14	25.2	36.2
16	JS-1151I-16	29.4	40.4
18	JS-1151I-18	33.6	44.6
20	JS-1151I-20	37.8	48.8
22	JS-1151I-22	42.0	53.0
24	JS-1151I-24	46.2	57.2

4.20mm (.165")

BMI Power Connectors

**Wafer**  
**JS-1153I**



Poles	Part No.	Dimensions (mm)	
	JS-1153I	A	B
02	JS-1153I-02	---	11.0
04	JS-1153I-04	4.2	15.2
06	JS-1153I-06	8.4	19.4
08	JS-1153I-08	12.6	23.6
10	JS-1153I-10	16.8	27.8
12	JS-1153I-12	21.0	32.0

Poles	Part No.	Dimensions (mm)	
	JS-1153I	A	B
14	JS-1153I-14	25.2	36.2
16	JS-1153I-16	29.4	40.4
18	JS-1153I-18	33.6	44.6
20	JS-1153I-20	37.8	48.8
22	JS-1153I-22	42.0	53.0
24	JS-1153I-24	46.2	57.2

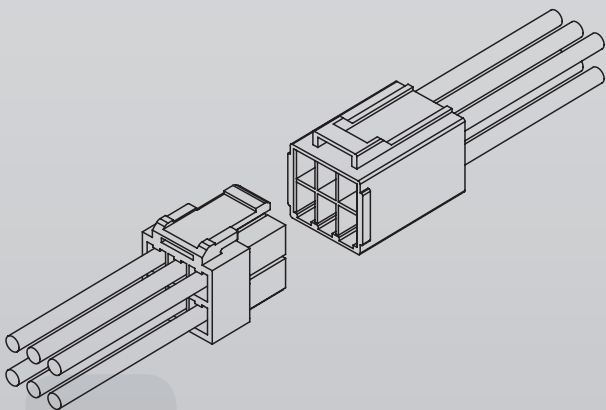
# 4.20mm (.165") Wire to Wire Power Connectors

## Specifications

- Voltage Rating : 600V AC/DC
- Current Rating : 10A AC/DC
- Withstanding Voltage : 2200V AC/minute
- Insulation Resistance : 1000M $\Omega$  min.
- Temperature Range : -25°C to + 105°C

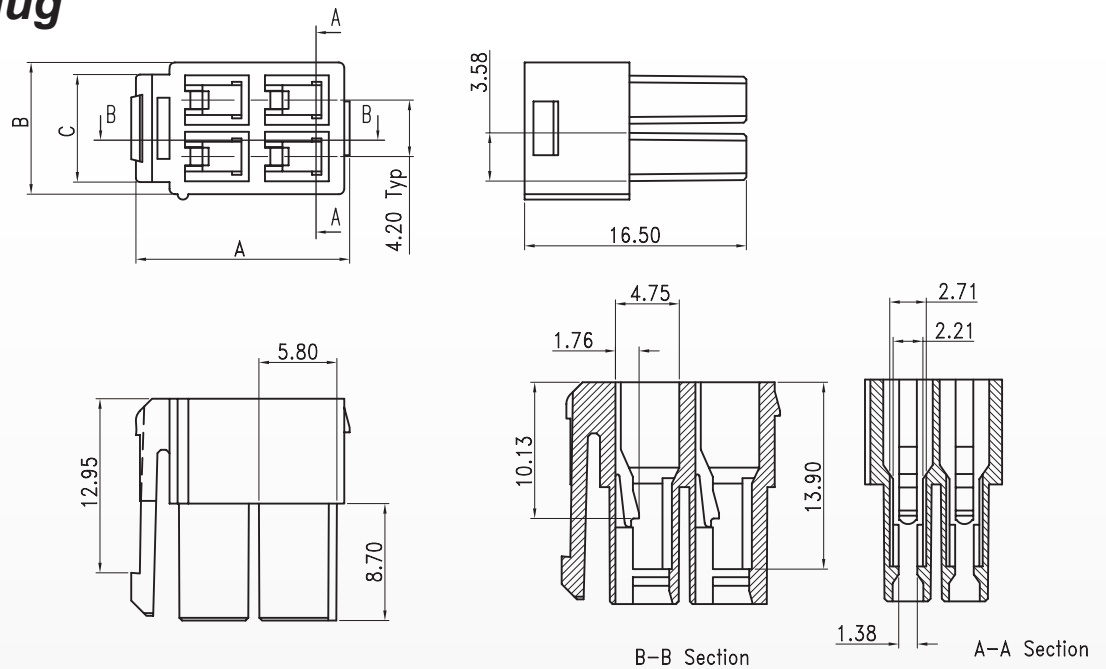
## HOUSING :

- Part No. : JS-2420-XX(Plug)  
JS-2421-XX(Receptacle)
- Poles : 2x1 - 2x4
- Material : Nylon PA66 UL94V-0
- Q,ty : 1,000 pcs/Bag



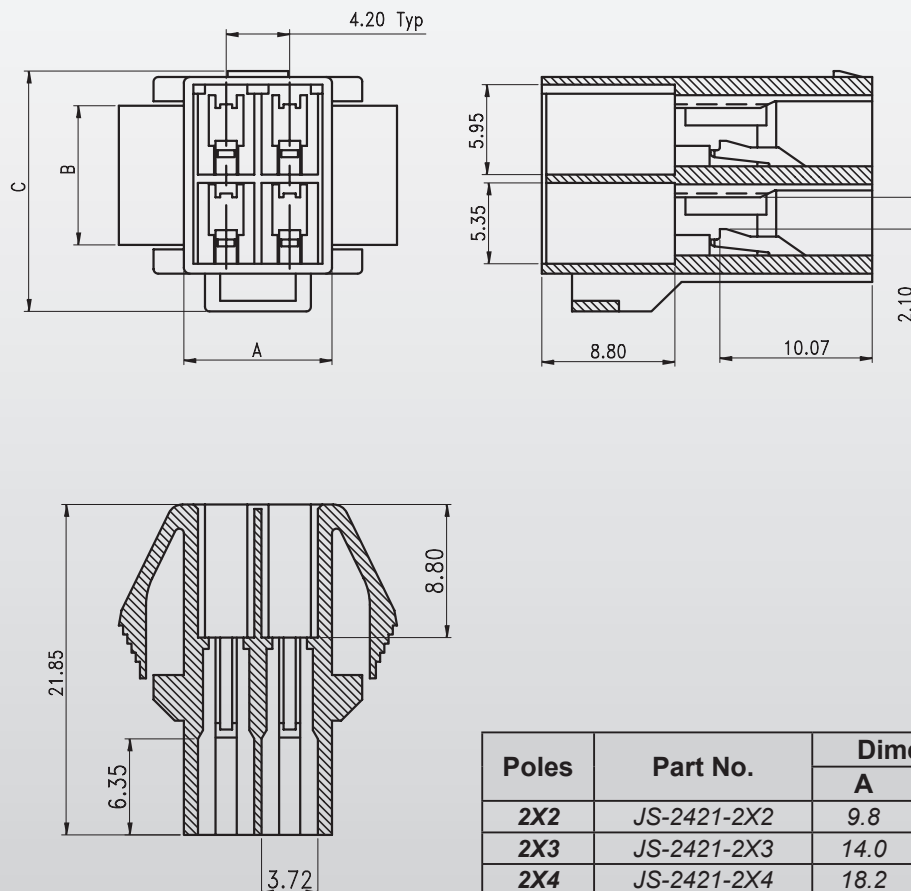
# 4.20mm (.165") Wire to Wire Power Connectors

## Housing - Plug JS-2420



Poles	Part No.	Dimensions (mm)		
		A	B	C
2X2	JS-2420-2X2	4.2	9.8	8.0
2X3	JS-2420-2X3	8.4	14.0	10.0
2X4	JS-2420-2X4	12.6	18.2	10.0

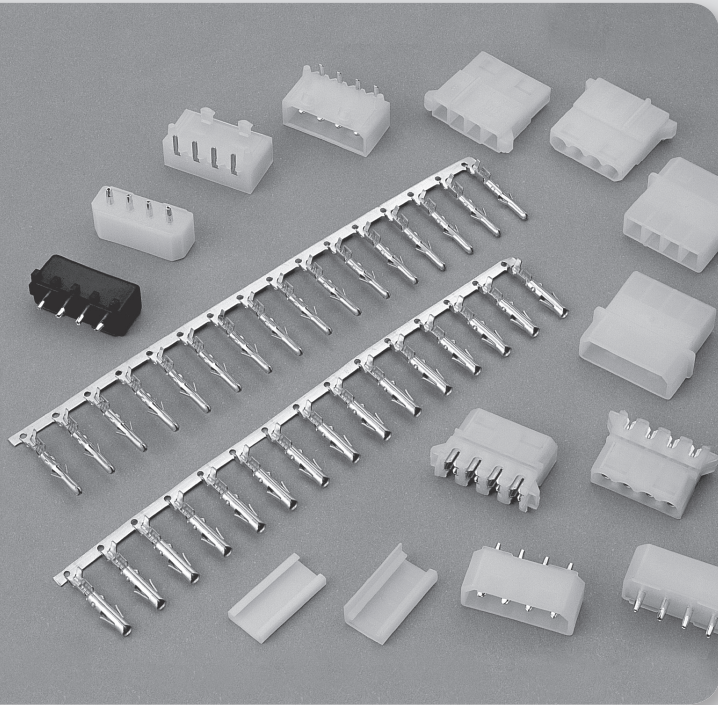
## Housing - Receptacle JS-2421



Poles	Part No.	Dimensions (mm)		
		A	B	C
2X2	JS-2421-2X2	9.8	7.0	4.2
2X3	JS-2421-2X3	14.0	8.8	8.4
2X4	JS-2421-2X4	18.2	8.8	12.6



# 5.08mm (.200") Disk Drive Power Connectors



## Specifications

- Voltage Rating : 250V AC/DC
- Current Rating : 7A AC/DC
- Withstanding Voltage : 1,500V AC/minute
- Insulation Resistance : 1,000MΩ min.
- Temperature Range : -25°C to + 85°C
- Contact Resistance : 20mΩ max.

## Features:

### ■ HOUSING

Part No. : JS-1114-04W, JS-1114-04H

JS-1114-04HI, JS-1114-04HL(IDC type)

Poles : 4

Material : Nylon 66 UL94V-2

Q,ty : 1,000 pcs/Bag

### ■ WAFER

Part No. : JS-1114-04WS (Straight)

JS-1114-04WR (Right Angle)

JS-1114P-04WS (Square Pin)

Poles : 4

Material : Contact : Brass, Phos. Bronze, Tin Plated

Base : Nylon 66 UL94V-2

Q'ty : 1,000 pcs/Bag

### ■ TERMINAL

Part No. : JS-1114-04WT, JS-1114-04HT

Applicable Wires : JS-1114-04WT AWG# 16 - 20

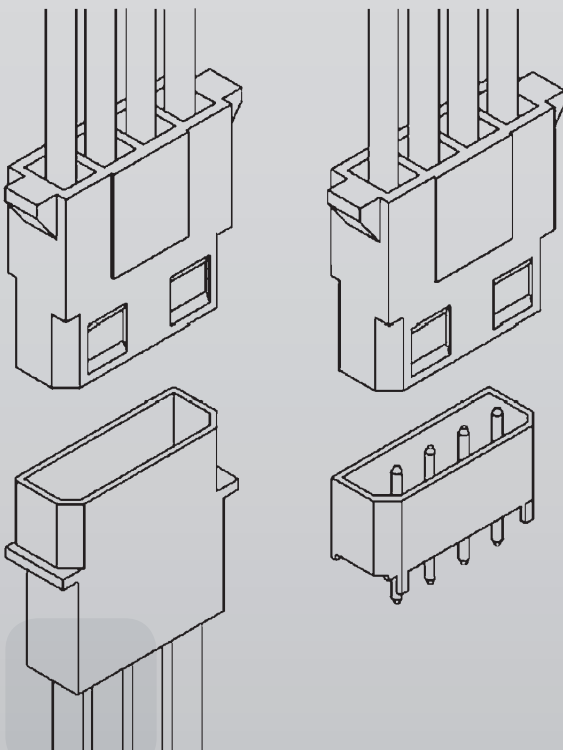
JS-1114-04HT AWG# 18 - 22

Material : Brass

Finish : Tin Plated

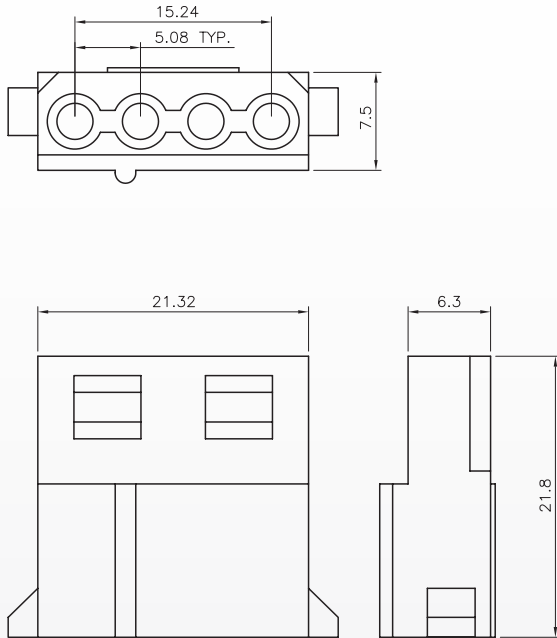
Thickness : 0.3mm, 0.25mm

Q'ty : 7,000 pcs/Reel

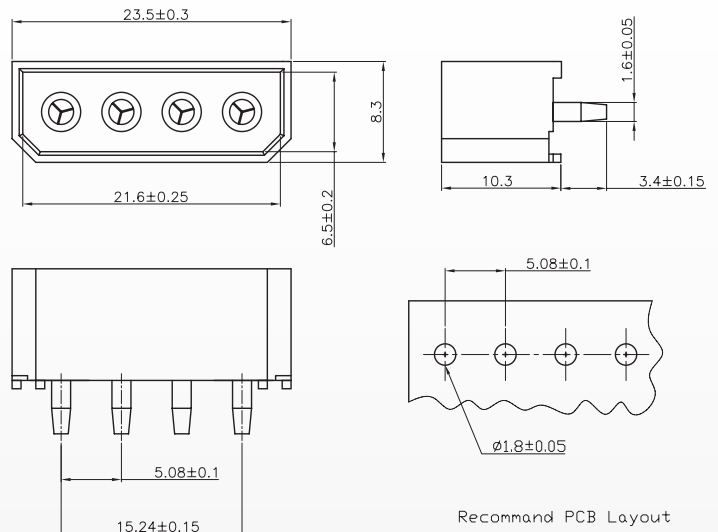


# 5.08mm (.200") Disk Drive Power Connectors

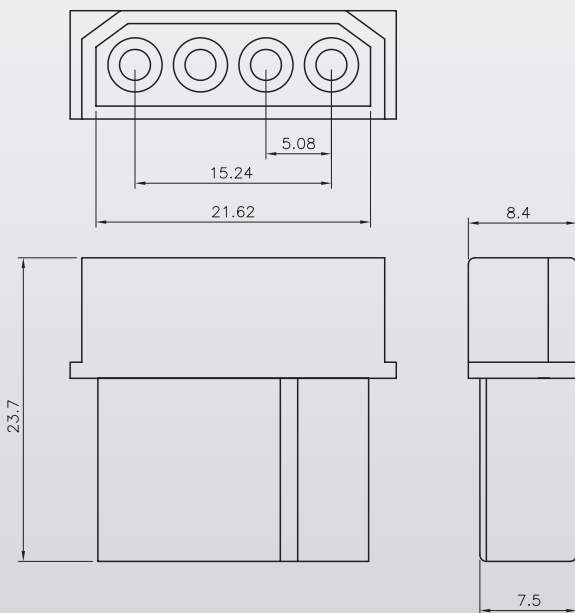
## Housing JS-1114-04W



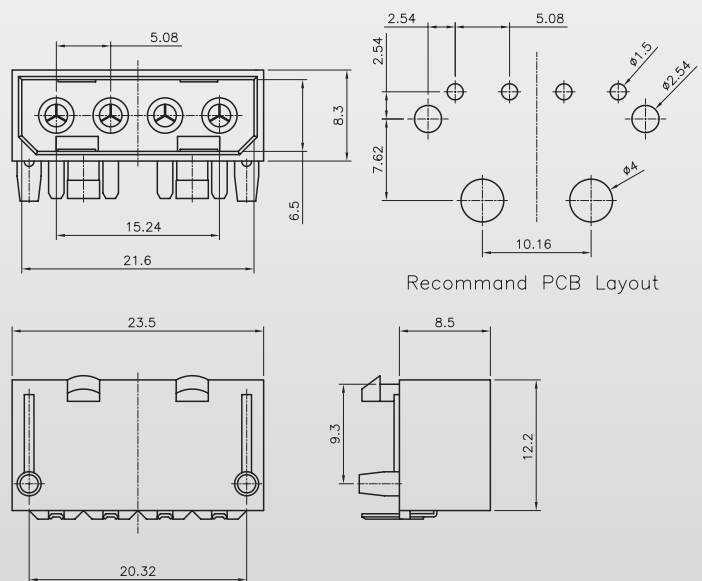
## Wafer - Straight JS-1114-04WS



## Housing JS-1114-04H

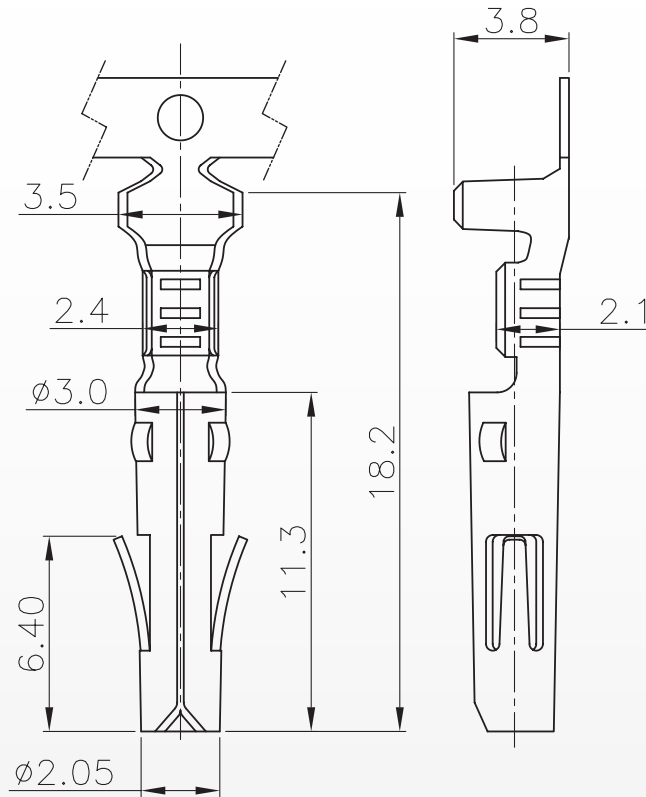


## Wafer - Right Angle JS-1114-04WR

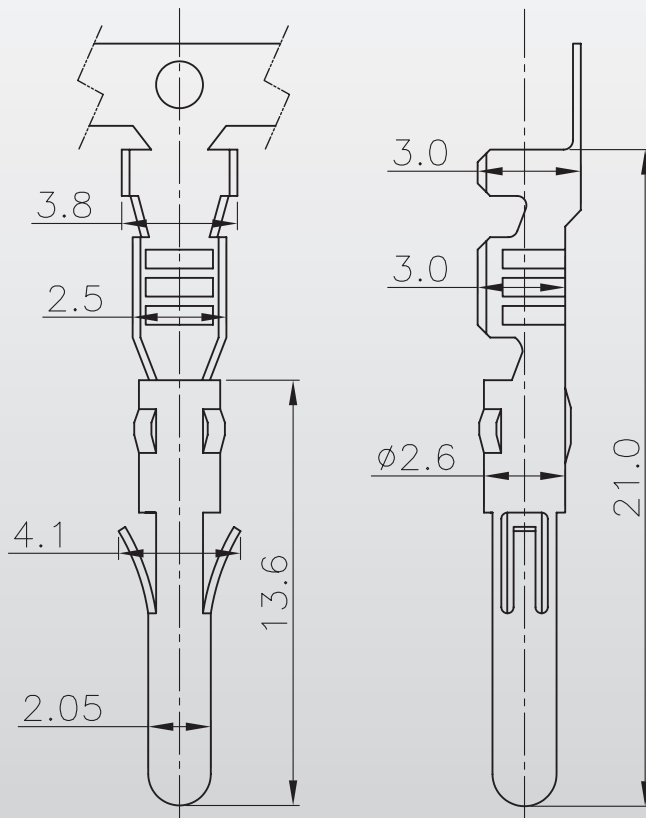


# 5.08mm (.200") Disk Drive Power Connectors

## Terminal JS-1114-04WT

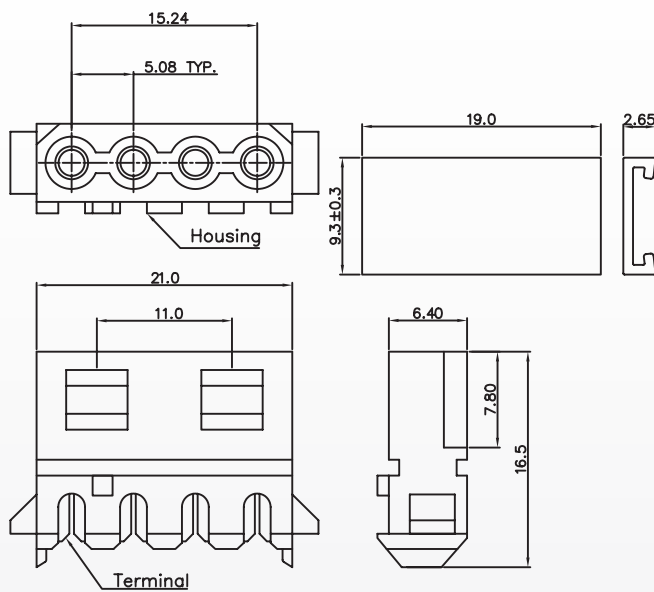


## Terminal JS-1114-04HT

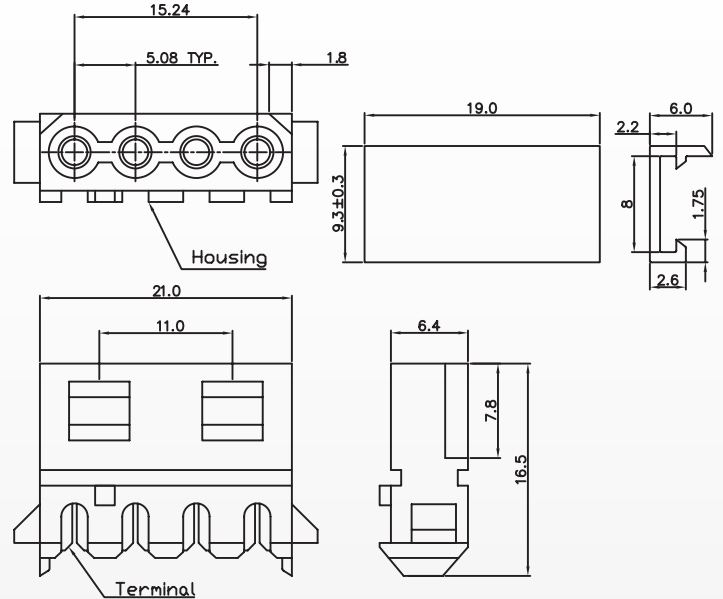


# 5.08mm (.200") Disk Drive Power Connectors

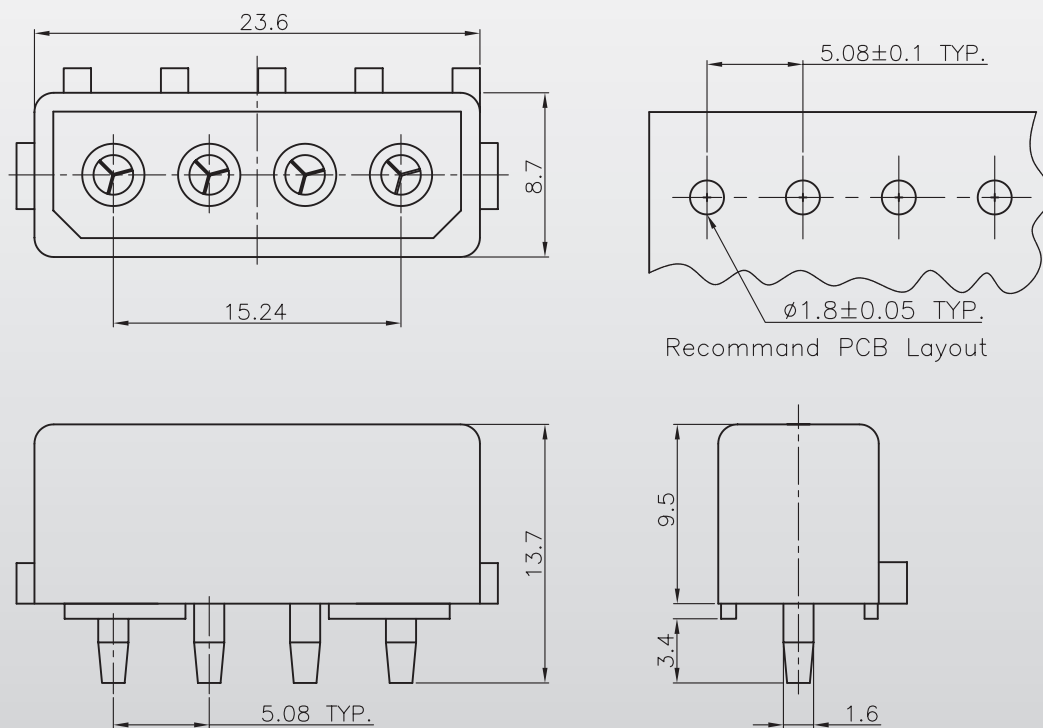
## IDC Type JS-1114-04HI



## IDC Type JS-1114-04HL

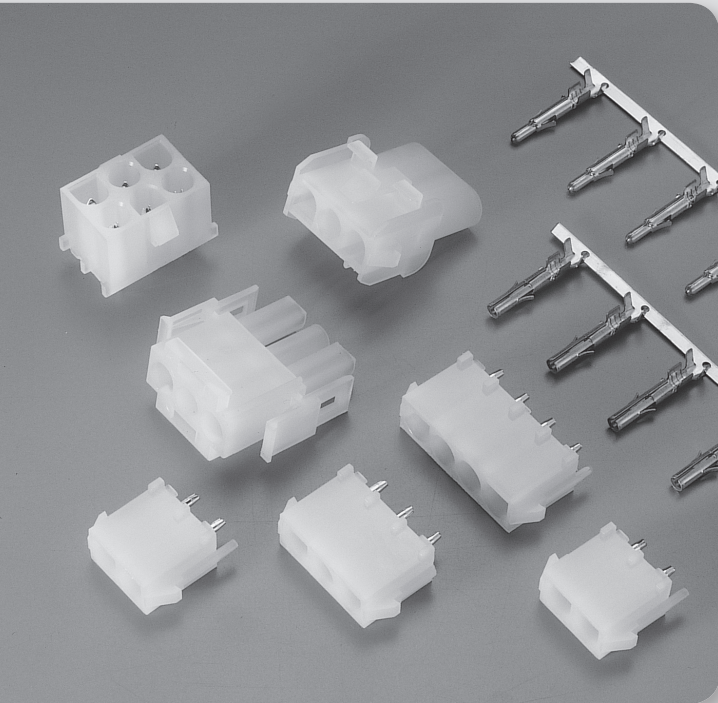


## Wafer - Straight JS-1114P-04WS





# 6.35mm (.250") Power Connectors



## Specifications

- Voltage Rating : 600V AC/DC
- Current Rating : 2~4 Circuit - 12A MAX  
5~15 CIRCUIT - 9A MAX
- Withstanding Voltage : 5,000V AC/minute
- Insulation Resistance : 1,000MΩ min.
- Temperature Range : -55°C to + 105°C
- Contact Resistance : 20mΩ max.

## Features:

### ■ HOUSING

Part No. : JS-6350W-XX(Plug)

JS-6350H-XX(Receptacle)

Poles : Single Row : 2 , 3 , 4 Circuit

Triple Row: 6 , 9 , 12 , 15 Circuit

Material : Nylon 66 UL94V-0 or V-2

Color : Nature

Q,ty : 1,000 pcs/Bag

### ■ WAFER

Part No. :

JS-6350WSF-XX(Female contact , Straight , Without Post)

JS-6350WSF-XXP(Female contact , Straight , With Post)

JS-6350WSM-XX(male Contact , Straight , Without Post)

JS-6350WRF-XX(Female contact , Right Angle)

JS-6350WRM-XX(male Contact , Right Angle)

Poles : Straight, Single Row : 2 , 3 , 4 Circuit

Right Angle, Single Row : 2~10 Circuit

Straight, Triple Row : 6 , 9 , 12 , 15 Circuit

Material : Male Contact : Phosphor Bronze ; Tin Plated

Base : Nylon 66 UL94V-0 or V-2;

Q'ty : 1,000 pcs./Bag

### ■ TERMINAL

Part No. : JS-6350H-TH/TM/TL(For 2~5 Circuit)

JS-6350H-TH1/TM1/TL1(For 6~15 Circuit)

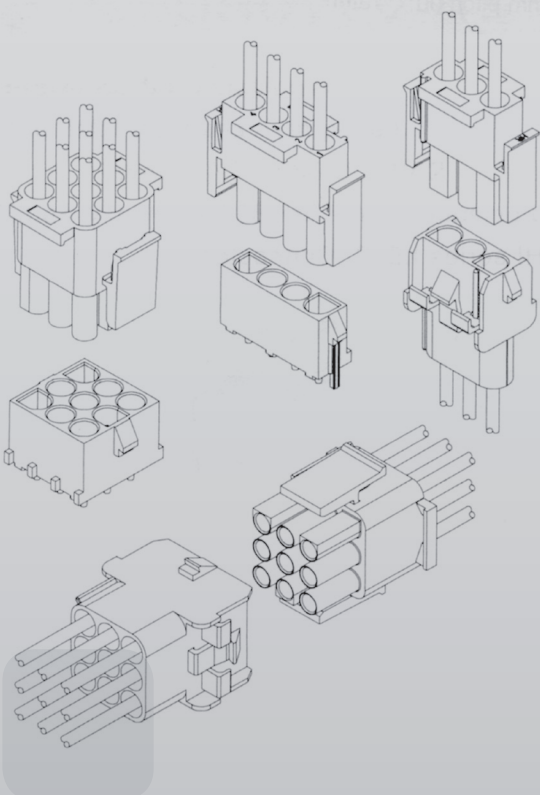
JS-6350W-TH/TM/TL

Applicable Wires : AWG# 12~22

Material : Brass

Thickness : 0.3mm

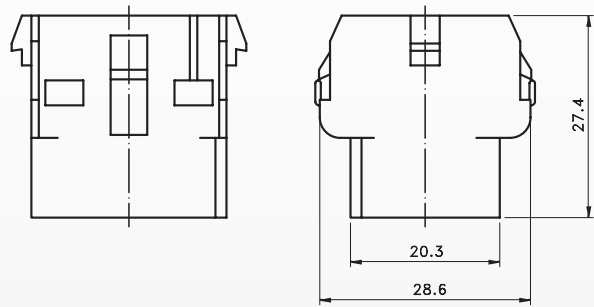
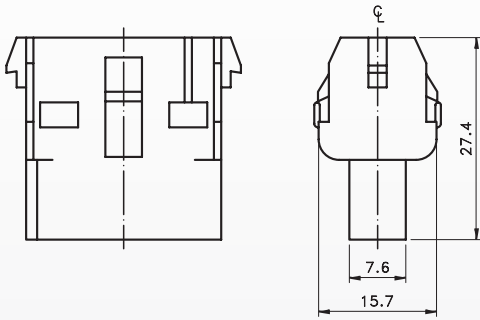
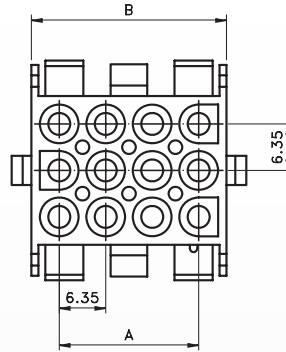
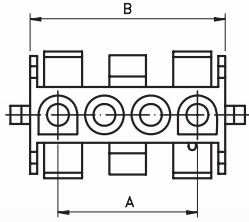
Q'ty : 10,000 pcs/Reel





# 6.35mm (.250") Power Connectors

## Housing JS-6350H



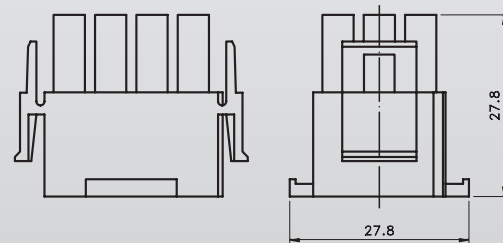
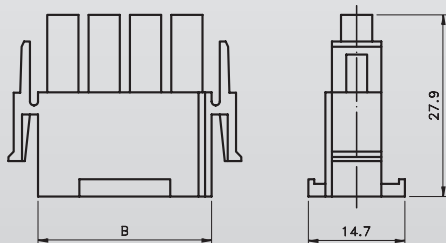
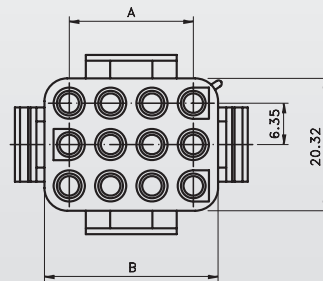
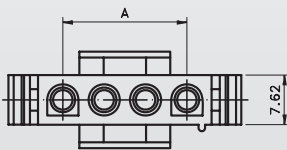
JS-6350H-XX (Single Row)

JS-6350H-XX (Triple Row)

Poles	Part No.		Dimensions (mm)	
	JS-6350H	JS-6350W	A	B
2	JS-6350H-02	JS-6350W-02	6.35	13.97
3	JS-6350H-03	JS-6350W-03	12.70	20.32
4	JS-6350H-04	JS-6350W-04	19.05	26.67
6	JS-6350H-06	JS-6350W-06	6.35	13.97

Poles	Part No.		Dimensions (mm)	
	JS-6350H	JS-6350W	A	B
9	JS-6350H-09	JS-6350W-09	12.70	20.32
12	JS-6350H-12	JS-6350W-12	19.05	26.67
15	JS-6350H-15	JS-6350W-15	44.45	33.02

## Housing JS-6350W



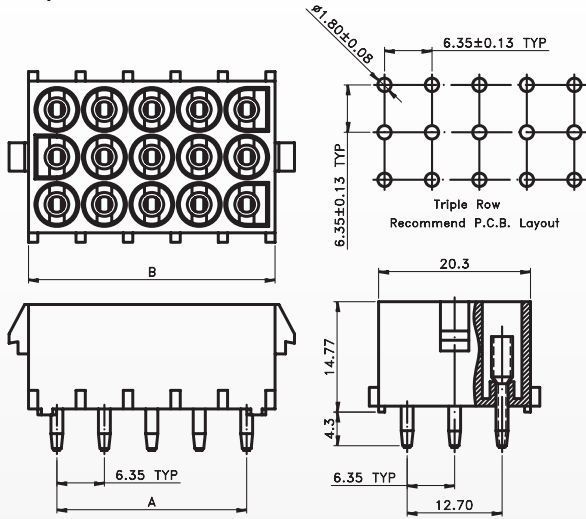
JS-6350W-XX (Single Row)

JS-6350W-XX (Triple Row)

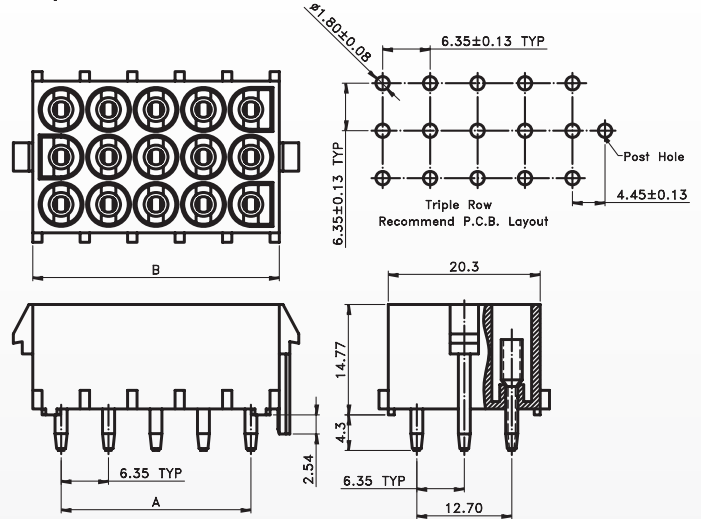
# 6.35mm (.250") Power Connectors

## Wafer JS-6350WSF

### JS-6350WSF-XX(Female Contact) Triple Row

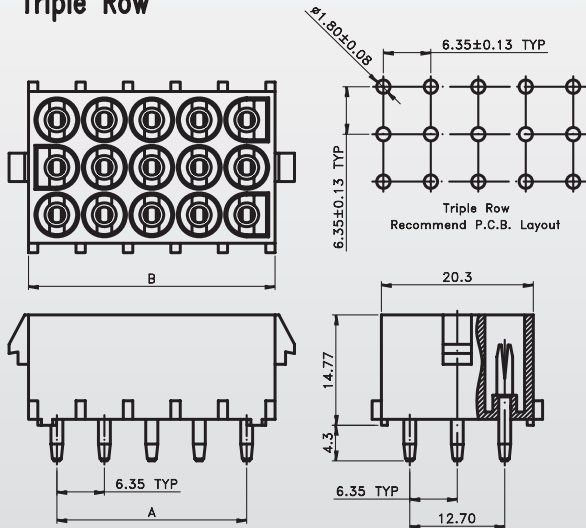


### JS-6350WSF-XXP(Female Contact , With Peg) Triple Row

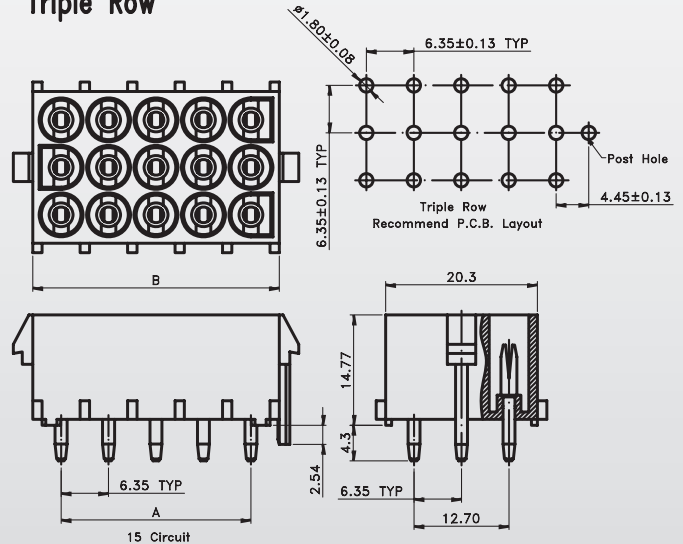


## Wafer JS-6350WSM

### JS-6350WSM-XX(Male Contact) Triple Row



### JS-6350WSM-XXP(Male Contact , With Peg) Triple Row

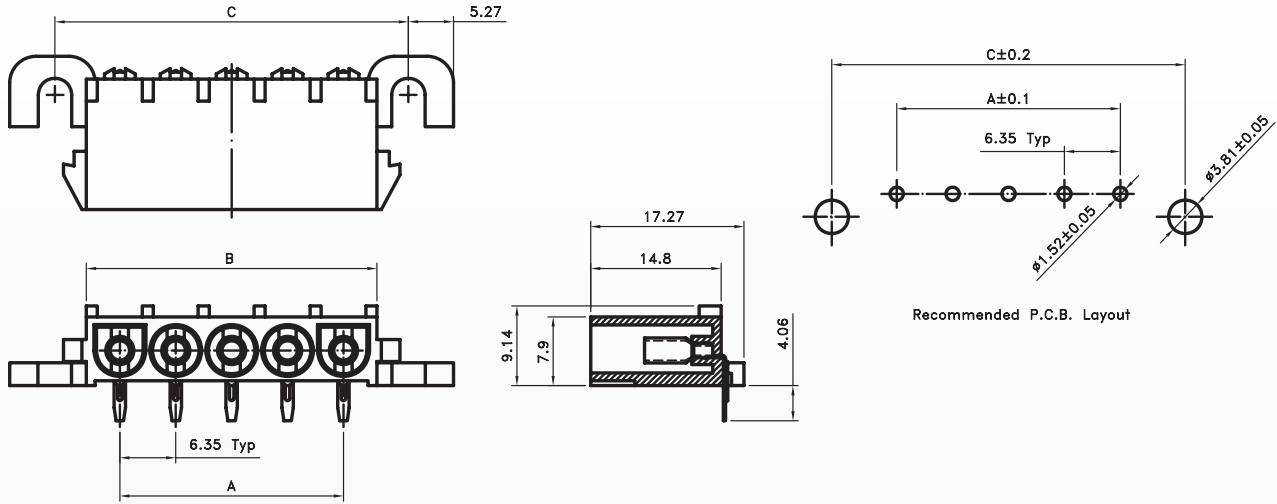


JS-6350WSM-XX,6350WSF-XX		
Poles	Dimensions (mm)	
	A	B
2	13.95	6.35
3	20.30	12.70
4	26.65	19.05
5	33.00	25.40

# 6.35mm (.250") Power Connectors

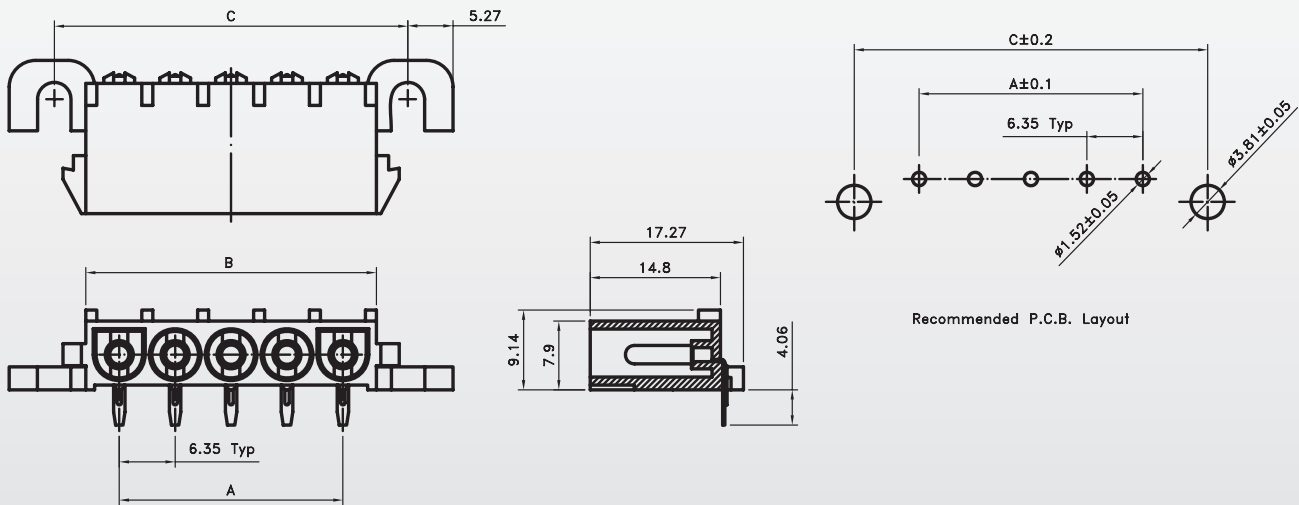
## Wafer

### JS-6350WRF



## Wafer

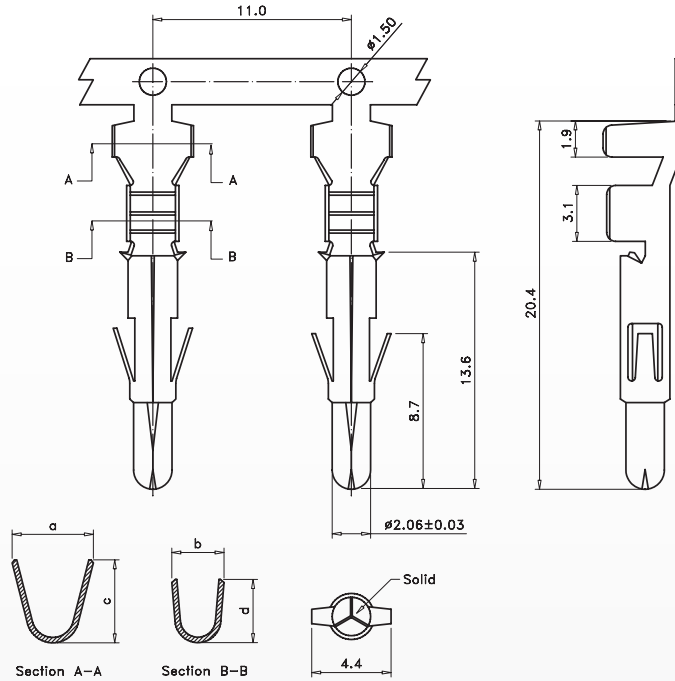
### JS-6350WRM



Poles	Part No.		Dimensions (mm)		
	JS-6350WRF-XX	JS-6350WRM-XX	A	B	C
2	JS-6350WRF-02	JS-6350WRM-02	6.35	13.90	21.07
3	JS-6350WRF-03	JS-6350WRM-03	12.70	20.25	27.42
4	JS-6350WRF-04	JS-6350WRM-04	19.05	26.60	33.77
5	JS-6350WRF-05	JS-6350WRM-05	25.40	32.95	40.12
6	JS-6350WRF-06	JS-6350WRM-06	31.75	39.30	46.47
7	JS-6350WRF-07	JS-6350WRM-07	38.10	45.65	52.82
8	JS-6350WRF-08	JS-6350WRM-08	44.45	52.00	59.17
9	JS-6350WRF-09	JS-6350WRM-09	50.80	58.35	65.52
10	JS-6350WRF-10	JS-6350WRM-10	67.15	64.70	71.87

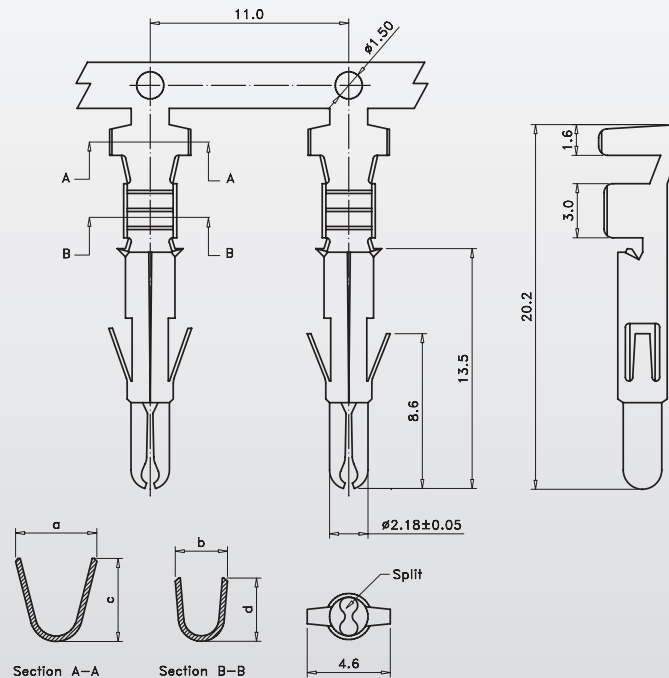
# 6.35mm (.250") Power Connectors

## Terminal JS-6350W-TH / TM / TL



Part No.	Dimensions (mm)				WIRE RANGE
	A	B	C	D	
JS-6350H-TH	5.50	3.50	5.90	3.20	AWG# 12~14
JS-6350H-TM	4.50	2.90	4.50	3.50	AWG# 16~20
JS-6350H-TL	3.40	2.40	3.40	2.40	AWG# 18~22

## Terminal JS-6350H-TH1 / TM1 / TL1

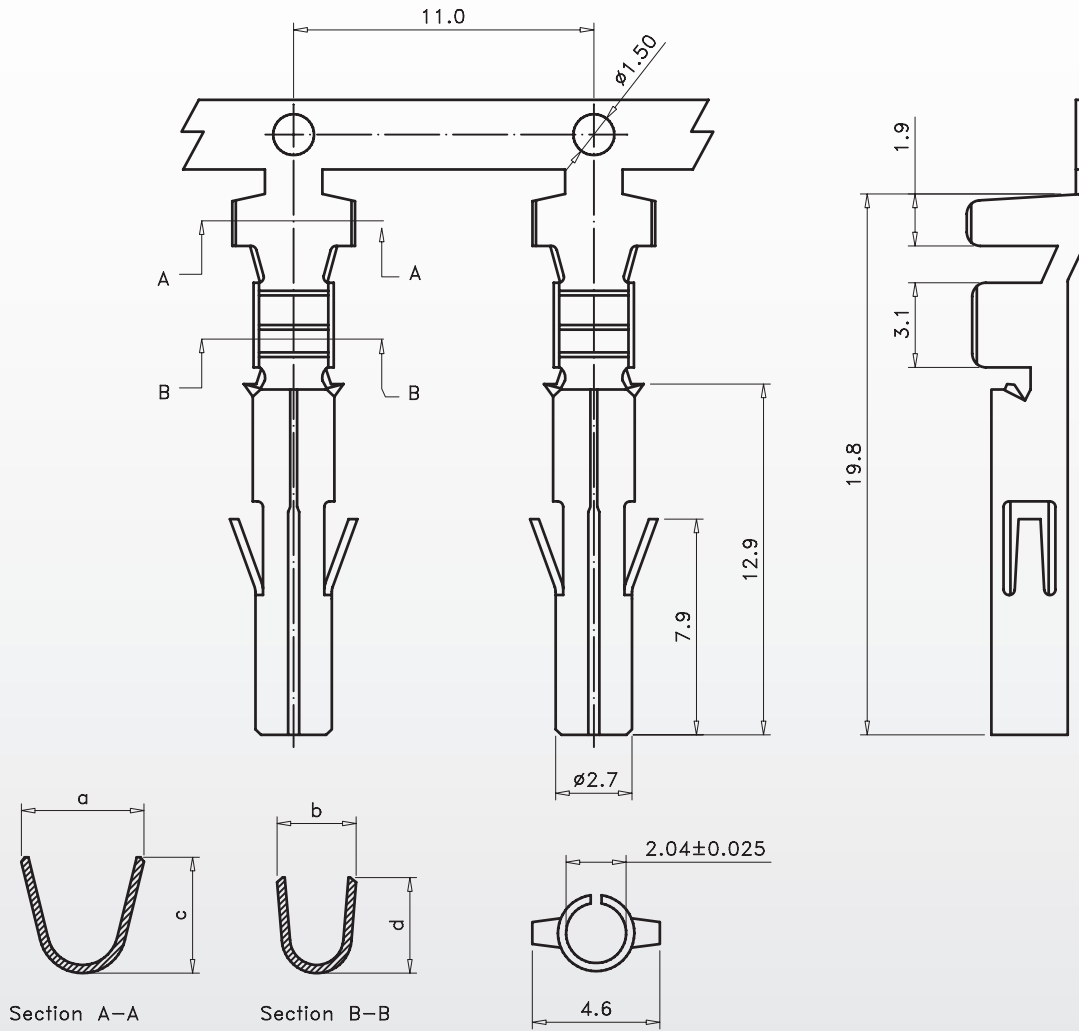


Part No.	Dimensions (mm)				WIRE RANGE
	A	B	C	D	
JS-6350H-TH1	5.50	3.50	5.90	3.20	AWG# 12~14
JS-6350H-TM1	4.50	2.90	4.50	3.50	AWG# 16~20
JS-6350H-TL1	3.40	2.40	3.40	2.40	AWG# 18~22

# 6.35mm (.250") Power Connectors

## Terminal

JS-6350W-TH / TM / TL



Part No.	Dimensions (mm)				WIRE RANGE
	A	B	C	D	
JS-6350H-TH	6.40	2.90	5.70	3.50	AWG# 12~14
JS-6350H-TM	4.50	2.90	4.50	3.50	AWG# 16~20
JS-6350H-TL	3.40	2.40	3.40	2.40	AWG# 18~22



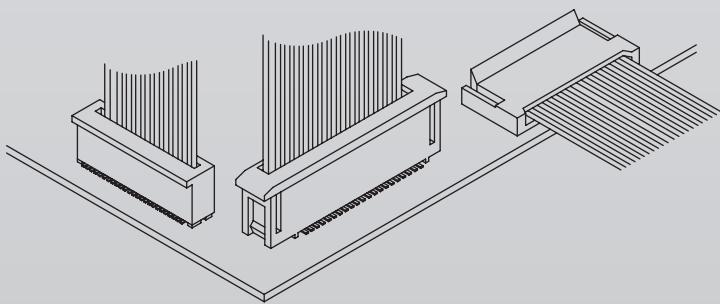
# 0.50mm (.020") ZIF Type, FFC/FPC Connectors<SMT>

## Specifications

- Voltage Rating : 50V AC/DC
- Current Rating : 0.5A AC/DC
- Withstanding Voltage : 200V AC/minute
- Insulation Resistance : 100MΩ min.
- Temperature Range : -25°C to + 85°C
- Contact Resistance : 20mΩ max.

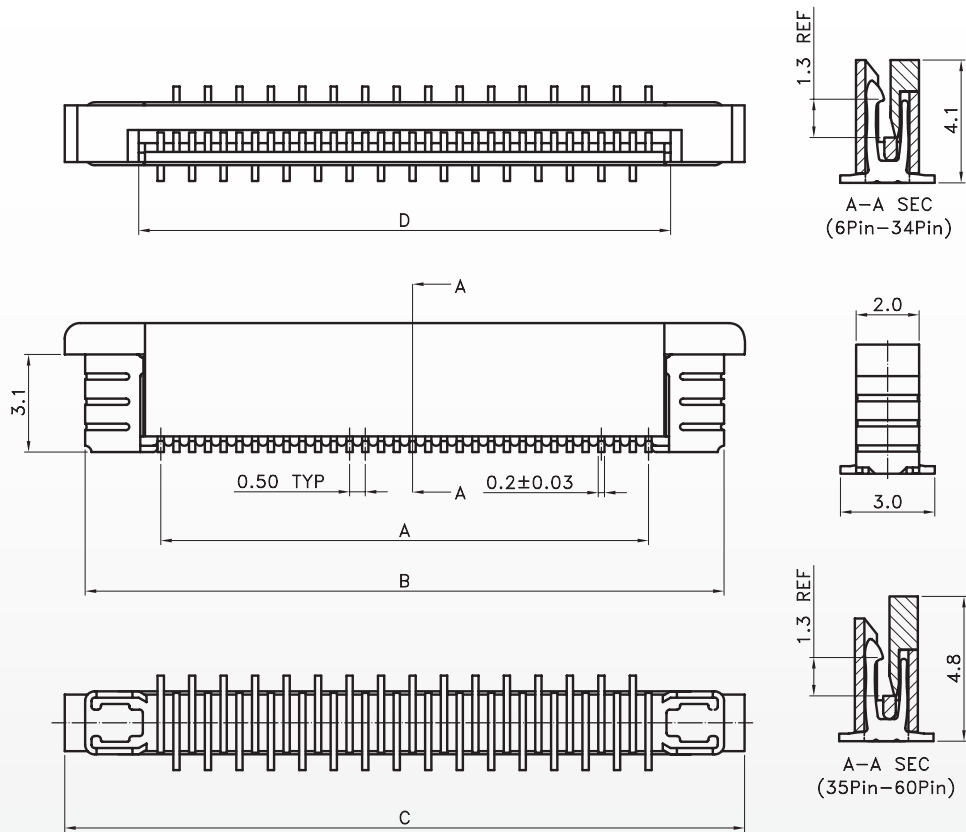
## Features:

- Part No. :  
JS-1191D-XX (Right Angle; Bottom Contact)  
JS-1191U-XX (Right Angle; Top Contact)  
JS-1191V-XX (Straight)
- Poles : 4 - 60
- Material : Contact : Phos. Bronze; Tin Plated  
Nail : Phos. Bronze; Tin Plated  
Base. : LCP6807  
Slider. : LCP6130
- Qt'y :  
2,000 pcs./Reel (JS-1191D)  
2,000 pcs./Reel (JS-1191U)  
1,000 pcs./Reel (JS-1191V)

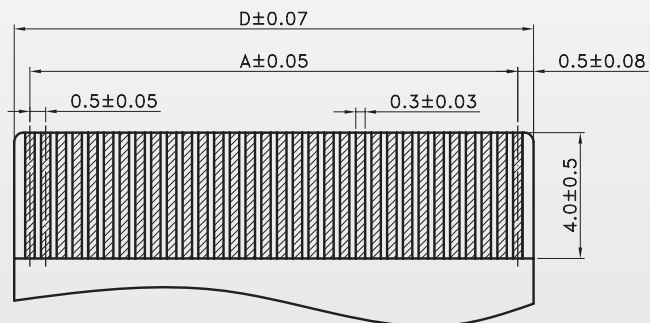


# 0.50mm (.020") ZIF Type, FFC/FPC Connectors <SMT>

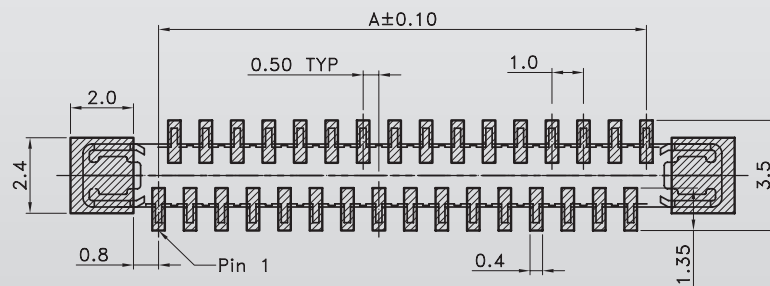
## Straight JS-1191V



Solder Nail Close Type



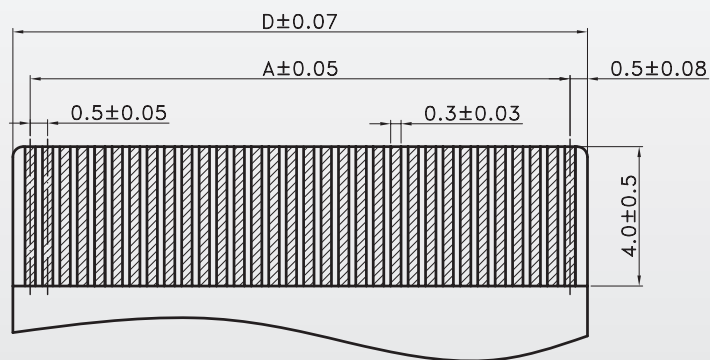
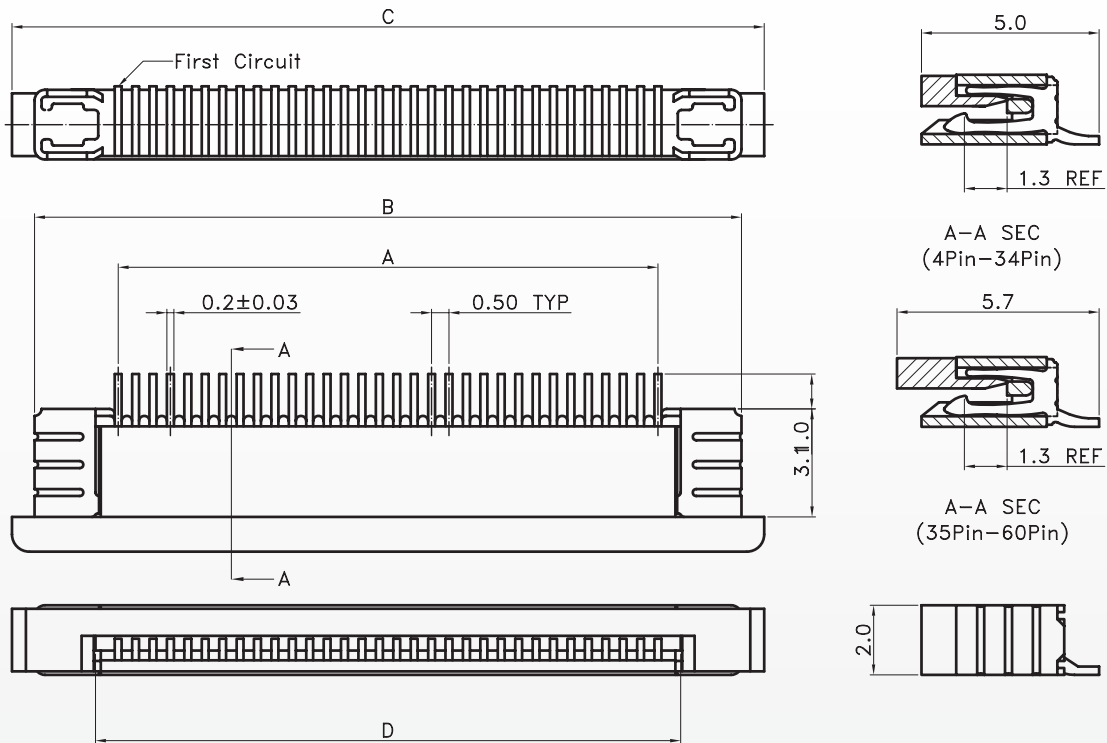
FFC/FFC Dimension Thickness 0.30mm



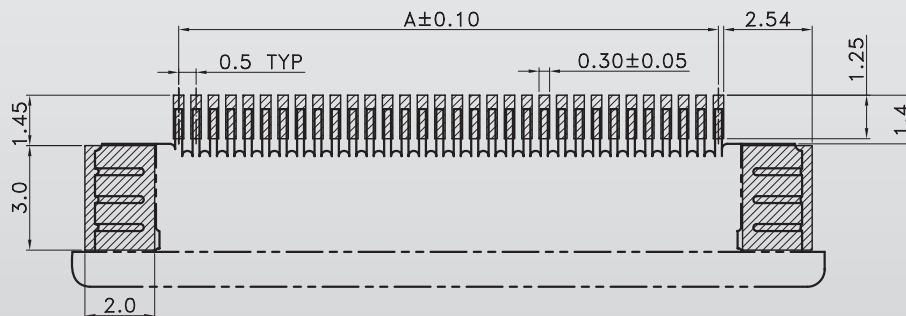
Recommend PCB Layout

# 0.50mm (.020") ZIF Type, FFC/FPC Connectors <SMT>

## Right Angle - Bottom Contact Style JS-1191D



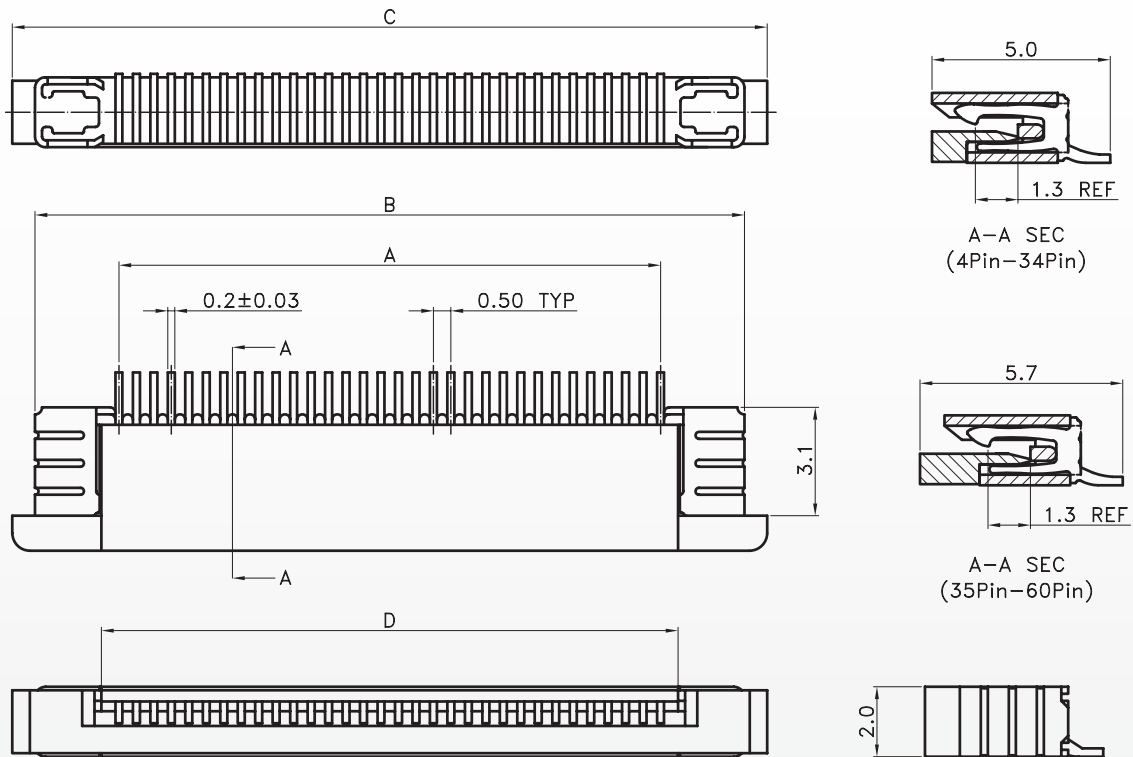
FPC/FFC Dimension Thickness 0.30mm



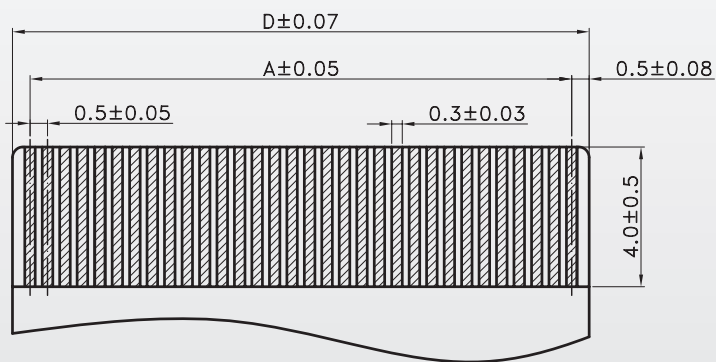
Solder Nail close Type Recommend PCB Layout

# 0.50mm (.020") ZIF Type, FFC/FPC Connectors <SMT>

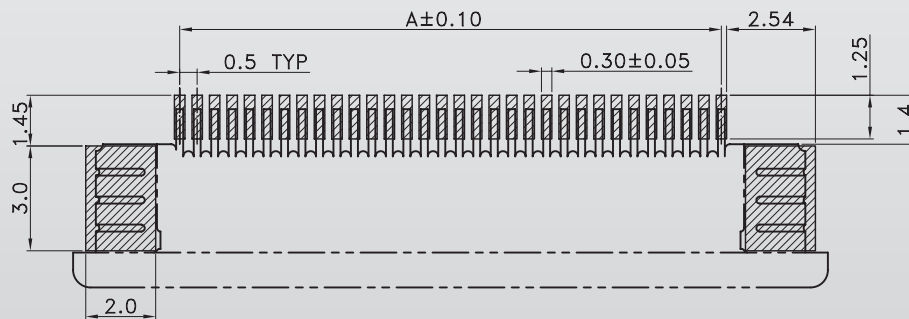
## Right Angle - Top Contact Style JS-1191U



Solder Nail close Type



FPC/FFC Dimension Thickness  $0.30\text{mm}$



Solder Nail close Type Recommend PCB Layout

D

# 0.50mm (.020") ZIF Type, FFC/FPC Connectors<SMT>

Poles	Part No.			Dimensions (mm)				
	JS-1191D	JS-1191U	JS-1191V	A	B	C	D	E
4	JS-1191D-04	JS-1191U-04	JS-1191V-04	6.00	7.50	1.50	2.62	1.50
5	JS-1191D-05	JS-1191U-05	JS-1191V-05	6.50	8.00	2.00	3.12	2.00
6	JS-1191D-06	JS-1191U-06	JS-1191V-06	7.00	8.50	2.50	3.62	2.50
7	JS-1191D-07	JS-1191U-07	JS-1191V-07	7.50	9.00	3.00	4.12	3.00
8	JS-1191D-08	JS-1191U-08	JS-1191V-08	8.00	9.50	3.50	4.62	3.50
9	JS-1191D-09	JS-1191U-09	JS-1191V-09	8.50	10.00	4.00	5.12	4.00
10	JS-1191D-10	JS-1191U-10	JS-1191V-10	9.00	10.50	4.50	5.62	4.50
11	JS-1191D-11	JS-1191U-11	JS-1191V-11	9.50	11.00	5.00	6.12	5.00
12	JS-1191D-12	JS-1191U-12	JS-1191V-12	10.00	11.50	5.50	6.62	5.50
13	JS-1191D-13	JS-1191U-13	JS-1191V-13	10.50	12.00	6.00	7.12	6.00
14	JS-1191D-14	JS-1191U-14	JS-1191V-14	11.00	12.50	6.50	7.62	6.50
15	JS-1191D-15	JS-1191U-15	JS-1191V-15	11.50	13.00	7.00	8.12	7.00
16	JS-1191D-16	JS-1191U-16	JS-1191V-16	12.00	13.50	7.50	8.62	7.50
17	JS-1191D-17	JS-1191U-17	JS-1191V-17	12.50	14.00	8.00	9.12	8.00
18	JS-1191D-18	JS-1191U-18	JS-1191V-18	13.00	14.50	8.50	9.62	8.50
19	JS-1191D-19	JS-1191U-19	JS-1191V-19	13.50	15.00	9.00	10.12	9.00
20	JS-1191D-20	JS-1191U-20	JS-1191V-20	14.00	15.50	9.50	10.62	9.50
21	JS-1191D-21	JS-1191U-21	JS-1191V-21	14.50	16.00	10.00	11.12	10.00
22	JS-1191D-22	JS-1191U-22	JS-1191V-22	15.00	16.50	10.50	11.62	10.50
23	JS-1191D-23	JS-1191U-23	JS-1191V-23	15.50	17.00	11.00	12.12	11.00
24	JS-1191D-24	JS-1191U-24	JS-1191V-24	16.00	17.50	11.50	12.62	11.50
25	JS-1191D-25	JS-1191U-25	JS-1191V-25	16.50	18.00	12.00	13.12	12.00
26	JS-1191D-26	JS-1191U-26	JS-1191V-26	17.00	18.50	12.50	13.62	12.50
27	JS-1191D-27	JS-1191U-27	JS-1191V-27	17.50	19.00	13.00	14.12	13.00
28	JS-1191D-28	JS-1191U-28	JS-1191V-28	18.00	19.50	13.50	14.62	13.50
29	JS-1191D-29	JS-1191U-29	JS-1191V-29	18.50	20.00	14.00	15.12	14.00
30	JS-1191D-30	JS-1191U-30	JS-1191V-30	19.00	20.50	14.50	15.62	14.50
31	JS-1191D-31	JS-1191U-31	JS-1191V-31	19.50	21.00	15.00	16.12	15.00
32	JS-1191D-32	JS-1191U-32	JS-1191V-32	20.00	21.50	15.50	16.62	15.50
33	JS-1191D-33	JS-1191U-33	JS-1191V-33	20.50	22.00	16.00	17.12	16.00
34	JS-1191D-34	JS-1191U-34	JS-1191V-34	21.00	22.50	16.50	17.62	16.50
35	JS-1191D-35	JS-1191U-35	JS-1191V-35	21.50	23.00	17.00	18.12	17.00
36	JS-1191D-36	JS-1191U-36	JS-1191V-36	22.00	23.50	17.50	18.62	17.50
37	JS-1191D-37	JS-1191U-37	JS-1191V-37	22.50	24.00	18.00	19.12	18.00
38	JS-1191D-38	JS-1191U-38	JS-1191V-38	23.00	24.50	18.50	19.62	18.50
39	JS-1191D-39	JS-1191U-39	JS-1191V-39	23.50	25.00	19.00	20.12	19.00
40	JS-1191D-40	JS-1191U-40	JS-1191V-40	24.00	25.50	19.50	20.62	19.50
41	JS-1191D-41	JS-1191U-41	JS-1191V-41	24.50	26.00	20.00	21.12	20.00
42	JS-1191D-42	JS-1191U-42	JS-1191V-42	25.00	26.50	20.50	21.62	20.50
43	JS-1191D-43	JS-1191U-43	JS-1191V-43	25.50	27.00	21.00	22.12	21.00
44	JS-1191D-44	JS-1191U-44	JS-1191V-44	26.00	27.50	21.50	22.62	21.50
45	JS-1191D-45	JS-1191U-45	JS-1191V-45	26.50	28.00	22.00	23.12	22.00
46	JS-1191D-46	JS-1191U-46	JS-1191V-46	27.00	28.50	22.50	23.62	22.50
47	JS-1191D-47	JS-1191U-47	JS-1191V-47	27.50	29.00	23.00	24.12	23.00
48	JS-1191D-48	JS-1191U-48	JS-1191V-48	28.00	29.50	23.50	24.62	23.50
49	JS-1191D-49	JS-1191U-49	JS-1191V-49	28.50	30.00	24.00	25.12	24.00
50	JS-1191D-50	JS-1191U-50	JS-1191V-50	29.00	30.50	24.50	25.62	24.50



# 1.00mm (.039") ZIF Type Single Beam Contact Style < SMT >

## Specifications

- Voltage Rating : 50V AC/DC
- Current Rating : 0.5A AC/DC
- Withstanding Voltage : 500V AC/minute
- Insulation Resistance : 800M $\Omega$  min.
- Temperature Range : -25°C to + 85°C
- Contact Resistance : 20m $\Omega$  max.

## Features:

- Part No. : JS-1157D-XX (Side Entry; Bottom Contact)  
JS-1157U-XX (Side Entry; Upper Contact)  
JS-1157V-XX (Top Entry)

Poles : 4 - 30

Material : Contact : Phos. Bronze; Tin Plated

Solder Nail : Phos. Bronze; Tin Plated

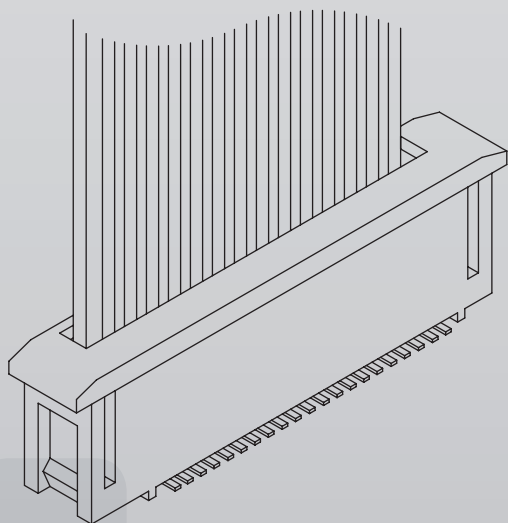
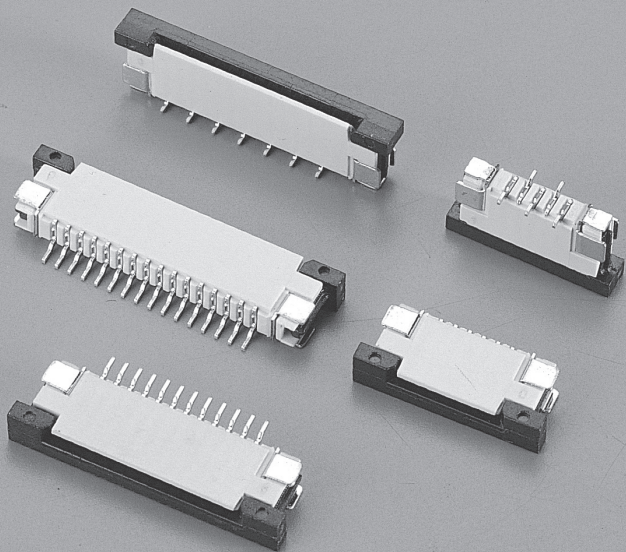
Base : LCP UL94V-0

Slider : LCP UL94V-0

Qt'y : 1,500 pcs./Tape & Reel (JS-1157D)

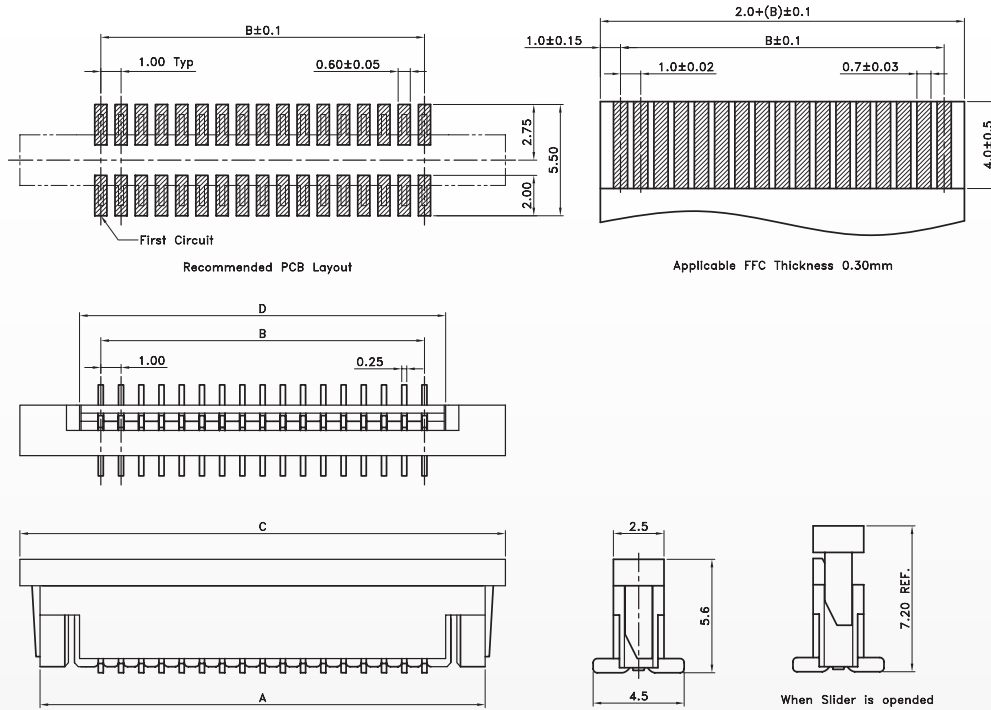
1,500 pcs./Tape & Reel (JS-1157U)

900 pcs./Tape & Reel (JS-1157V)



# 1.00mm (.039") ZIF Type Single Beam Contact Style < SMT >

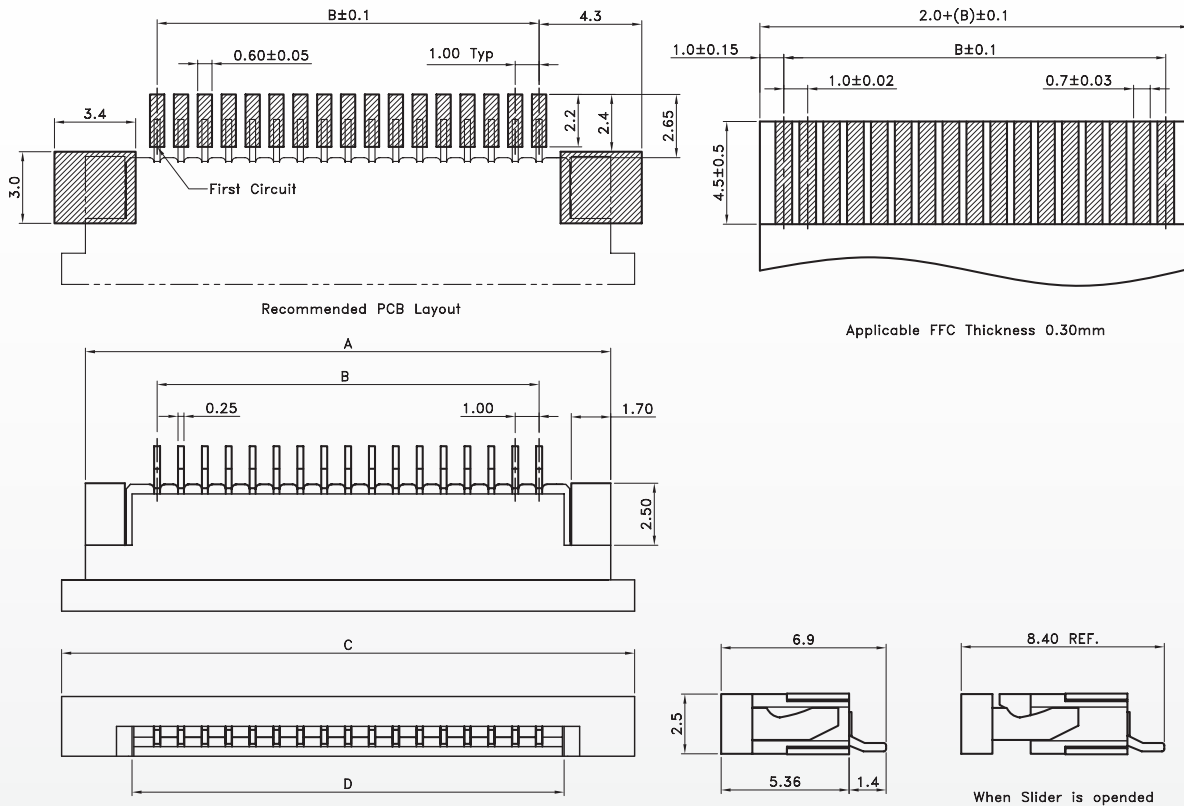
## Top Entry JS-1157V



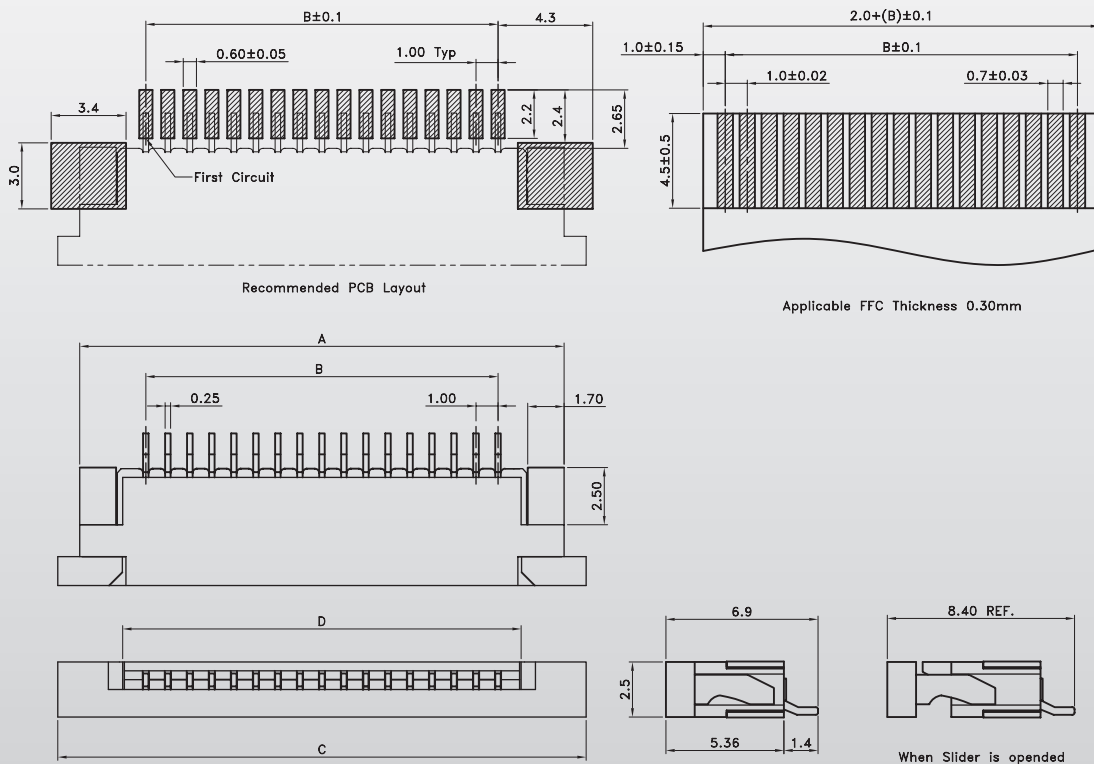
Poles	Part No.	Dimensions (mm)			
	JS-1157V	A	B	C	D
4	JS-1157V-04	9.20	3.00	11.00	5.05
5	JS-1157V-05	10.20	4.00	12.00	6.05
6	JS-1157V-06	11.20	5.00	13.00	7.05
7	JS-1157V-07	12.20	6.00	14.00	8.05
8	JS-1157V-08	13.20	7.00	15.00	9.05
9	JS-1157V-09	14.20	8.00	16.00	10.05
10	JS-1157V-10	15.20	9.00	17.00	11.05
11	JS-1157V-11	16.20	10.00	18.00	12.05
12	JS-1157V-12	17.20	11.00	19.00	13.05
13	JS-1157V-13	18.20	12.00	20.00	14.05
14	JS-1157V-14	19.20	13.00	21.00	15.05
15	JS-1157V-15	20.20	14.00	22.00	16.05
16	JS-1157V-16	21.20	15.00	23.00	17.05
17	JS-1157V-17	22.20	16.00	24.00	18.05
18	JS-1157V-18	23.20	17.00	25.00	19.05
19	JS-1157V-19	24.20	18.00	26.00	20.05
20	JS-1157V-20	25.20	19.00	27.00	21.05
21	JS-1157V-21	26.20	20.00	28.00	22.05
22	JS-1157V-22	27.20	21.00	29.00	23.05
23	JS-1157V-23	28.20	22.00	30.00	24.05
24	JS-1157V-24	29.20	23.00	31.00	25.05
25	JS-1157V-25	30.20	24.00	32.00	26.05
26	JS-1157V-26	31.20	25.00	33.00	27.05
27	JS-1157V-27	32.20	26.00	34.00	28.05
28	JS-1157V-28	33.20	27.00	35.00	29.05
29	JS-1157V-29	34.20	28.00	36.00	30.05
30	JS-1157V-30	35.20	29.00	37.00	31.05
31	JS-1157V-31	36.20	30.00	38.00	32.05
32	JS-1157V-32	37.20	31.00	39.00	33.05
33	JS-1157V-33	38.20	32.00	40.00	34.05
34	JS-1157V-34	39.20	33.00	41.00	35.05

# 1.00mm (.039") ZIF Type Single Beam Contact Style < SMT >

## Side Entry - Bottom Contact JS-1157D



## Side Entry - Upper Contact JS-1157U

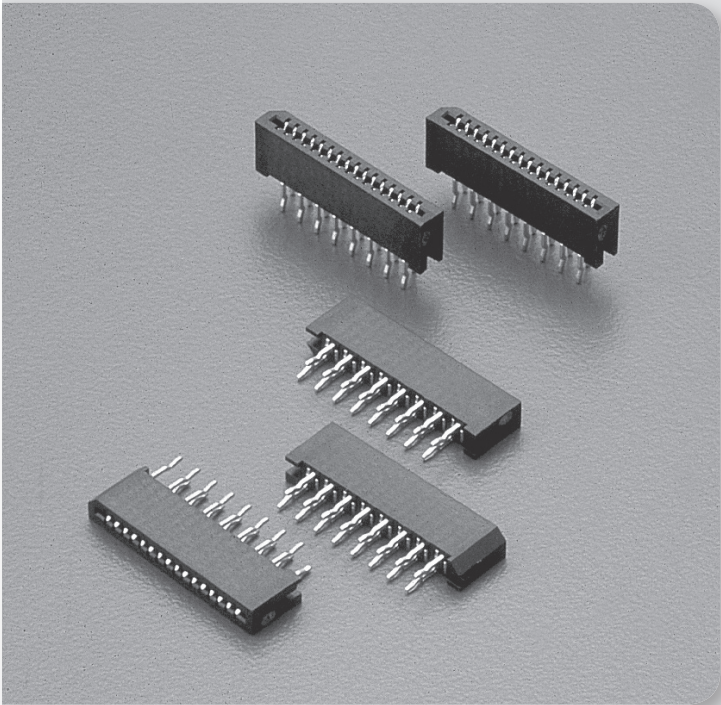


# 1.00mm (.039") ZIF Type Single Beam Contact Style < SMT >

Poles	Part No.		Dimensions (mm)			
	JS-1157D	JS-1157U	A	B	C	D
4	JS-1157D-04	JS-1157U-04	9.85	3.00	11.00	5.05
5	JS-1157D-05	JS-1157U-05	10.85	4.00	12.00	6.05
6	JS-1157D-06	JS-1157U-06	11.85	5.00	13.00	7.05
7	JS-1157D-07	JS-1157U-07	12.85	6.00	14.00	8.05
8	JS-1157D-08	JS-1157U-08	13.85	7.00	15.00	9.05
9	JS-1157D-09	JS-1157U-09	14.85	8.00	16.00	10.05
10	JS-1157D-10	JS-1157U-10	15.85	9.00	17.00	11.05
11	JS-1157D-11	JS-1157U-11	16.85	10.00	18.00	12.05
12	JS-1157D-12	JS-1157U-12	17.85	11.00	19.00	13.05
13	JS-1157D-13	JS-1157U-13	18.85	12.00	20.00	14.05
14	JS-1157D-14	JS-1157U-14	19.85	13.00	21.00	15.05
15	JS-1157D-15	JS-1157U-15	20.85	14.00	22.00	16.05
16	JS-1157D-16	JS-1157U-16	21.85	15.00	23.00	17.05
17	JS-1157D-17	JS-1157U-17	22.85	16.00	24.00	18.05
18	JS-1157D-18	JS-1157U-18	23.85	17.00	25.00	19.05
19	JS-1157D-19	JS-1157U-19	24.85	18.00	26.00	20.05
20	JS-1157D-20	JS-1157U-20	25.85	19.00	27.00	21.05
21	JS-1157D-21	JS-1157U-21	26.85	20.00	28.00	22.05
22	JS-1157D-22	JS-1157U-22	27.85	21.00	29.00	23.05
23	JS-1157D-23	JS-1157U-23	28.85	22.00	30.00	24.05
24	JS-1157D-24	JS-1157U-24	29.85	23.00	31.00	25.05
25	JS-1157D-25	JS-1157U-25	30.85	24.00	32.00	26.05
26	JS-1157D-26	JS-1157U-26	31.85	25.00	33.00	27.05
27	JS-1157D-27	JS-1157U-27	32.85	26.00	34.00	28.05
28	JS-1157D-28	JS-1157U-28	33.85	27.00	35.00	29.05
29	JS-1157D-29	JS-1157U-29	34.85	28.00	36.00	30.05
30	JS-1157D-30	JS-1157U-30	35.85	29.00	37.00	31.05
31	JS-1157D-31	JS-1157U-31	36.85	30.00	38.00	32.05
32	JS-1157D-32	JS-1157U-32	37.85	31.00	39.00	33.05
33	JS-1157D-33	JS-1157U-33	38.85	32.00	40.00	34.05
34	JS-1157D-34	JS-1157U-34	39.85	33.00	41.00	35.05



# 1.00mm (.039") NON-ZIF Type Dual Beam Contact Style <DIP>

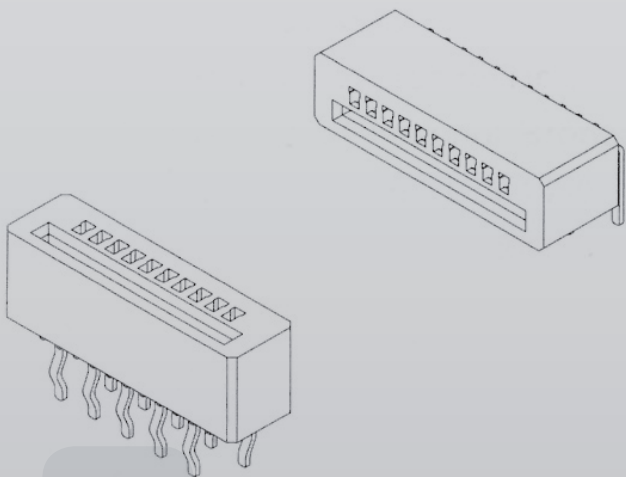


## Specifications

- Voltage Rating : 50V AC/DC
- Current Rating : 0.5A AC/DC
- Withstanding Voltage : 500V AC/minute
- Insulation Resistance : 1,000M $\Omega$  min.
- Temperature Range : -40°C to + 105°C
- Contact Resistance : 30m $\Omega$  max.

## Features:

- Part No. : JS-1156-XX(Top Entry, Normal Type)  
JS-1156S-XX(Top Entry, Reverse Type)  
JS-1156R-XX(Right Angle)
- Poles : 3 - 30
- Material : Contact : Brass, Tin Plated  
Base : Nylon PA6T UL94V-0
- Qt'y : 1,000 pcs/Tube Pack

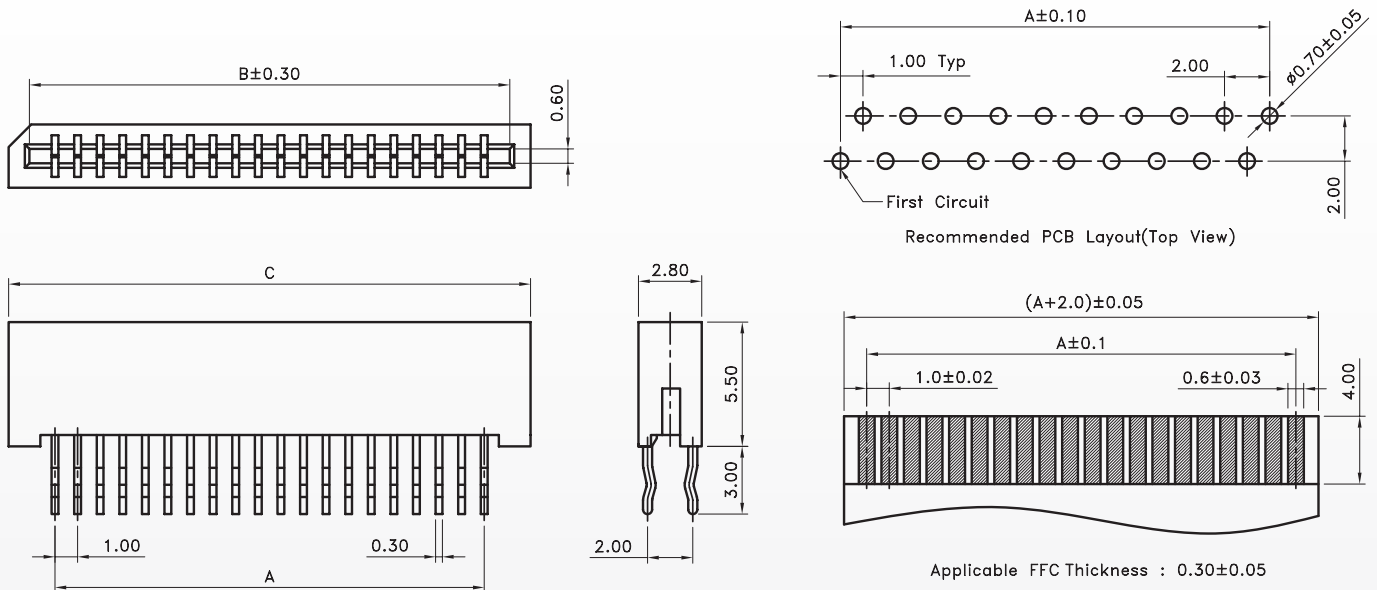


D10

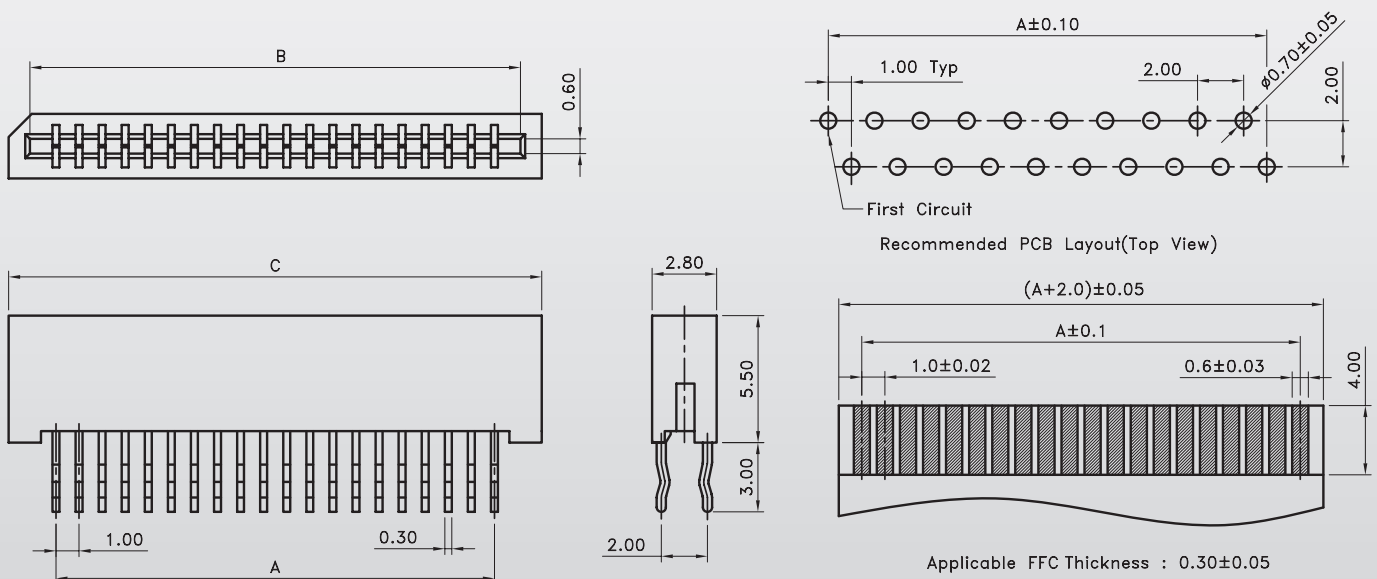


# 1.00mm (.039") NON-ZIF Type Dual Beam Contact Style <DIP>

## Top Entry - Normal Type JS-1156

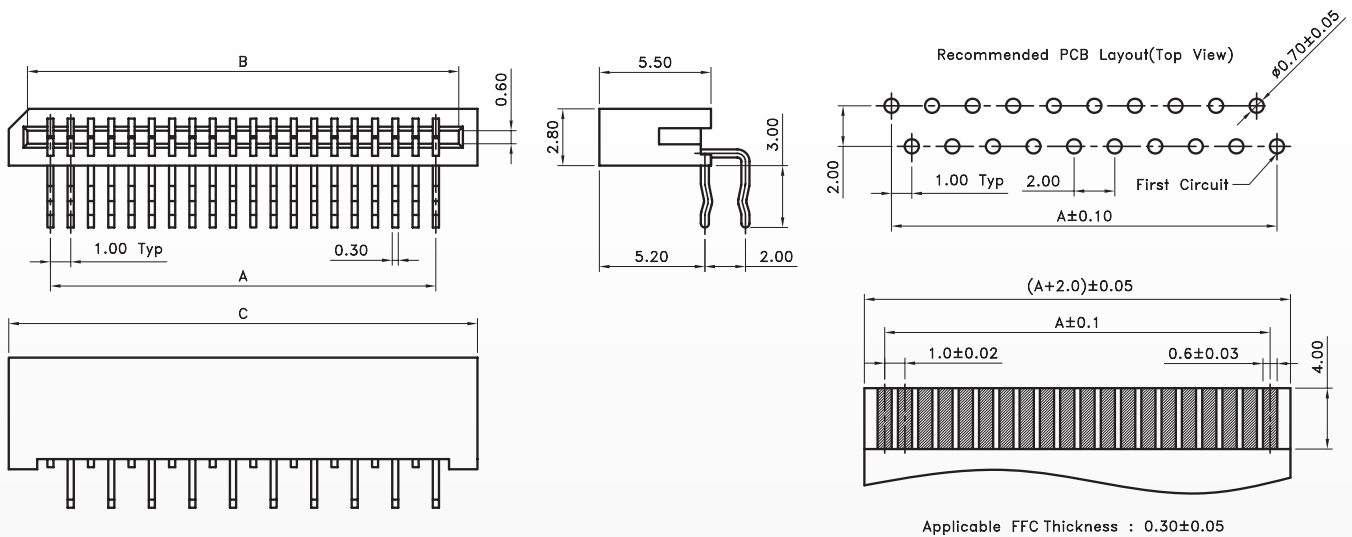


## Top Entry - Reverse Type JS-1156S



# 1.00mm (.039") NON-ZIF Type Dual Beam Contact Style <DIP>

## Side Entry JS-1156R



Poles	Part No.			Dimensions (mm)		
	JS-1156	JS-1156S	JS-1156R	A	B	C
2	JS-1156-02	JS-1156S-02	JS-1156R-02	1.00	3.10	5.00
3	JS-1156-03	JS-1156S-03	JS-1156R-03	2.00	4.10	6.00
4	JS-1156-04	JS-1156S-04	JS-1156R-04	3.00	5.10	7.00
5	JS-1156-05	JS-1156S-05	JS-1156R-05	4.00	6.10	8.00
6	JS-1156-06	JS-1156S-06	JS-1156R-06	5.00	7.10	9.00
7	JS-1156-07	JS-1156S-07	JS-1156R-07	6.00	8.10	10.00
8	JS-1156-08	JS-1156S-08	JS-1156R-08	7.00	9.10	11.00
9	JS-1156-09	JS-1156S-09	JS-1156R-09	8.00	10.10	12.00
10	JS-1156-10	JS-1156S-10	JS-1156R-10	9.00	11.10	13.00
11	JS-1156-11	JS-1156S-11	JS-1156R-11	10.00	12.10	14.00
12	JS-1156-12	JS-1156S-12	JS-1156R-12	11.00	13.10	15.00
13	JS-1156-13	JS-1156S-13	JS-1156R-13	12.00	14.10	16.00
14	JS-1156-14	JS-1156S-14	JS-1156R-14	13.00	15.10	17.00
15	JS-1156-15	JS-1156S-15	JS-1156R-15	14.00	16.10	18.00
16	JS-1156-16	JS-1156S-16	JS-1156R-16	15.00	17.10	19.00
17	JS-1156-17	JS-1156S-17	JS-1156R-17	16.00	18.10	20.00
18	JS-1156-18	JS-1156S-18	JS-1156R-18	17.00	19.10	21.00
19	JS-1156-19	JS-1156S-19	JS-1156R-19	18.00	20.10	22.00
20	JS-1156-20	JS-1156S-20	JS-1156R-20	19.00	21.10	23.00
21	JS-1156-21	JS-1156S-21	JS-1156R-21	20.00	22.10	24.00
22	JS-1156-22	JS-1156S-22	JS-1156R-22	21.00	23.10	25.00
23	JS-1156-23	JS-1156S-23	JS-1156R-23	22.00	24.10	26.00
24	JS-1156-24	JS-1156S-24	JS-1156R-24	23.00	25.10	27.00
25	JS-1156-25	JS-1156S-25	JS-1156R-25	24.00	26.10	28.00
26	JS-1156-26	JS-1156S-26	JS-1156R-26	25.00	27.10	29.00
27	JS-1156-27	JS-1156S-27	JS-1156R-27	26.00	28.10	30.00
28	JS-1156-28	JS-1156S-28	JS-1156R-28	27.00	29.10	31.00
29	JS-1156-29	JS-1156S-29	JS-1156R-29	28.00	30.10	32.00
30	JS-1156-30	JS-1156S-30	JS-1156R-30	29.00	31.10	33.00
31	JS-1156-31	JS-1156S-31	JS-1156R-31	30.00	32.10	34.00
32	JS-1156-32	JS-1156S-32	JS-1156R-32	31.00	33.10	35.00
33	JS-1156-33	JS-1156S-33	JS-1156R-33	32.00	34.10	36.00
34	JS-1156-34	JS-1156S-34	JS-1156R-34	33.00	35.10	37.00
35	JS-1156-35	JS-1156S-35	JS-1156R-35	34.00	36.10	38.00
36	JS-1156-36	JS-1156S-36	JS-1156R-36	35.00	37.10	39.00

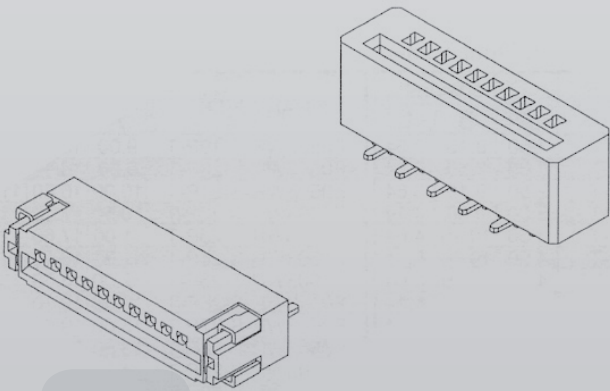
# 1.00mm (.039") NON-ZIF Type Dual Beam Contact Style < SMT >

## Specifications

- Voltage Rating : 50V AC/DC
- Current Rating : 0.5A AC/DC
- Withstanding Voltage : 500V AC/minute
- Insulation Resistance : 1,000M $\Omega$  min.
- Temperature Range : -40°C to + 105°C
- Contact Resistance : 30m $\Omega$  max.

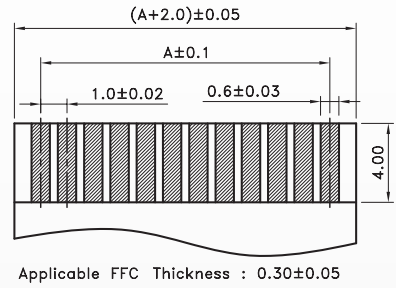
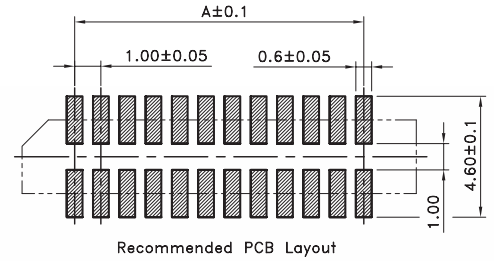
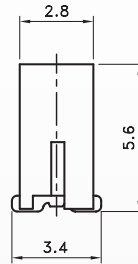
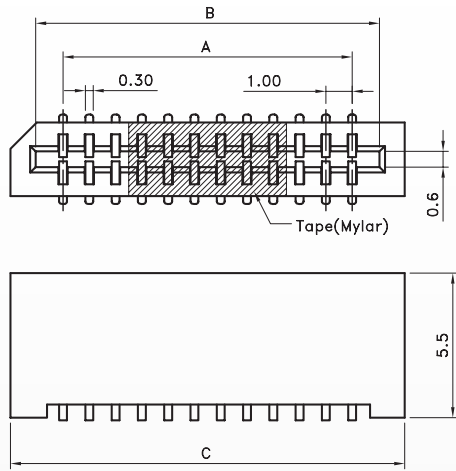
## Features:

- Part No. : JS-1157-XX  
JS-1158-XX
- Poles : 4 - 30 (Right Angle) (JS-1157-XX)  
2 - 36 (Straight) (JS-1158-XX)
- Material : Contact : Phos. Bronze, Tin Plated (JS-1157-XX)  
Brass, Tin Plated (JS-1158-XX)
- Base : Nylon PA46 (JS-1157-XX)  
Nylon PA6T UL94V-0 (JS-1158-XX)
- Qt'y : 2,000 pcs./Reel (JS-1157-XX)  
900 pcs./Tape & Reel (JS-1158-XX)

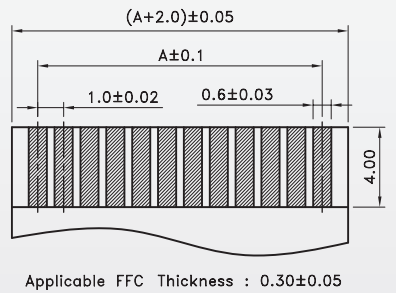
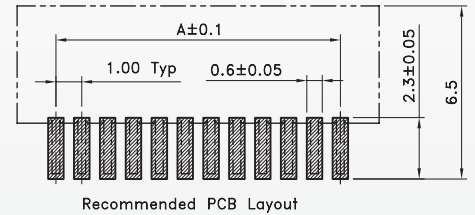
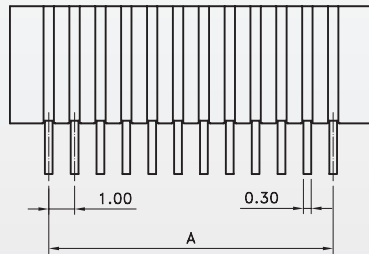
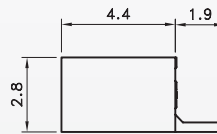
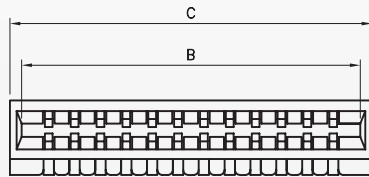


# 1.00mm (.039") NON-ZIF Type Dual Beam Contact Style < SMT >

## Top Entry JS-1158



## Side Entry JS-1157

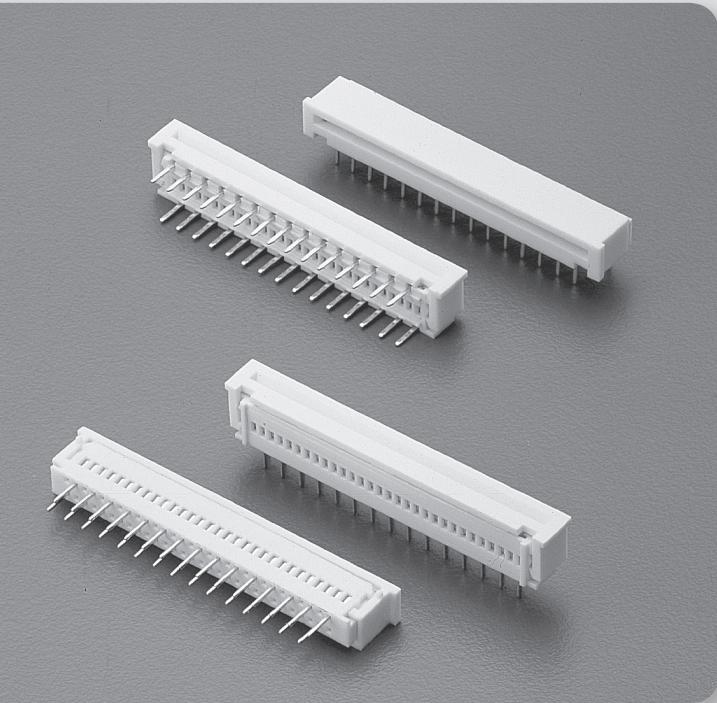


Poles	Part No.		Dimensions (mm)		
	JS-1157	JS-1158	A	B	C
2	JS-1157-02	JS-1158-02	1.00	3.10	5.00
3	JS-1157-03	JS-1158-03	2.00	4.10	6.00
4	JS-1157-04	JS-1158-04	3.00	5.10	7.00
5	JS-1157-05	JS-1158-05	4.00	6.10	8.00
6	JS-1157-06	JS-1158-06	5.00	7.10	9.00
7	JS-1157-07	JS-1158-07	6.00	8.10	10.00
8	JS-1157-08	JS-1158-08	7.00	9.10	11.00
9	JS-1157-09	JS-1158-09	8.00	10.10	12.00
10	JS-1157-10	JS-1158-10	9.00	11.10	13.00
11	JS-1157-11	JS-1158-11	10.00	12.10	14.00
12	JS-1157-12	JS-1158-12	11.00	13.10	15.00
13	JS-1157-13	JS-1158-13	12.00	14.10	16.00
14	JS-1157-14	JS-1158-14	13.00	15.10	17.00
15	JS-1157-15	JS-1158-15	14.00	16.10	18.00
16	JS-1157-16	JS-1158-16	15.00	17.10	19.00
17	JS-1157-17	JS-1158-17	16.00	18.10	20.00
18	JS-1157-18	JS-1158-18	17.00	19.10	21.00
19	JS-1157-19	JS-1158-19	18.00	20.10	22.00

Poles	Part No.		Dimensions (mm)		
	JS-1157	JS-1158	A	B	C
20	JS-1157-20	JS-1158-20	19.00	21.10	23.00
21	JS-1157-21	JS-1158-21	20.00	22.10	24.00
22	JS-1157-22	JS-1158-22	21.00	23.10	25.00
23	JS-1157-23	JS-1158-23	22.00	24.10	26.00
24	JS-1157-24	JS-1158-24	23.00	25.10	27.00
25	JS-1157-25	JS-1158-25	24.00	26.10	28.00
26	JS-1157-26	JS-1158-26	25.00	27.10	29.00
27	JS-1157-27	JS-1158-27	26.00	28.10	30.00
28	JS-1157-28	JS-1158-28	27.00	29.10	31.00
29	JS-1157-29	JS-1158-29	28.00	30.10	32.00
30	JS-1157-30	JS-1158-30	29.00	31.10	33.00
31	JS-1157-31	JS-1158-31	30.00	32.10	34.00
32	JS-1157-32	JS-1158-32	31.00	33.10	35.00
33	JS-1157-33	JS-1158-33	32.00	34.10	36.00
34	JS-1157-34	JS-1158-34	33.00	35.10	37.00
35	JS-1157-35	JS-1158-35	34.00	36.10	38.00
36	JS-1157-36	JS-1158-36	35.00	37.10	39.00



# 1.25mm (.049") ZIF Type Single Beam Contact Style <DIP>

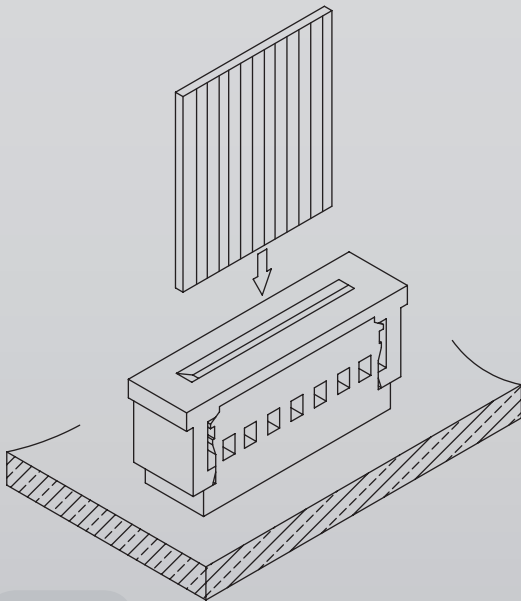


## Specifications

- Voltage Rating : 250V AC/DC
- Current Rating : 1A AC/DC
- Withstanding Voltage : 1000V AC/minute
- Insulation Resistance : 1,000M $\Omega$  min.
- Temperature Range : -55°C to + 105°C
- Contact Resistance : 20m $\Omega$  max.

## Features:

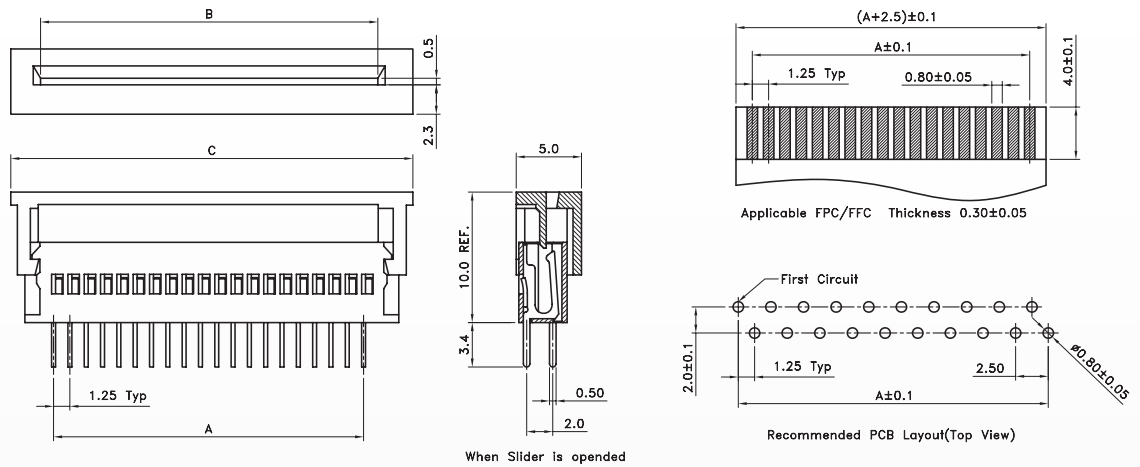
- Part No. : JS-11551-XX (Top Entry)  
JS-1155R (Side Entry)
- Poles : 4 - 30
- Material : Contact : Phos. Bronze, Tin Plated  
Base : Nylon PA6T UL94V-0
- Qt'y : 1,000 pcs/Tube Pack



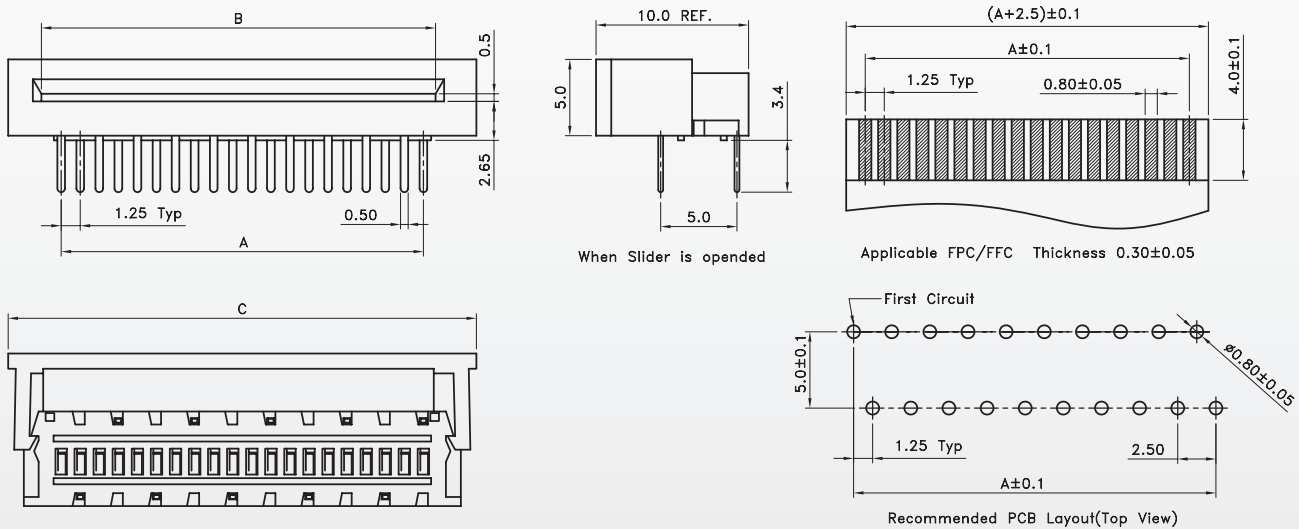


# 1.25mm (.049") ZIF Type Single Beam Contact Style <DIP>

## Top Entry JS-11551



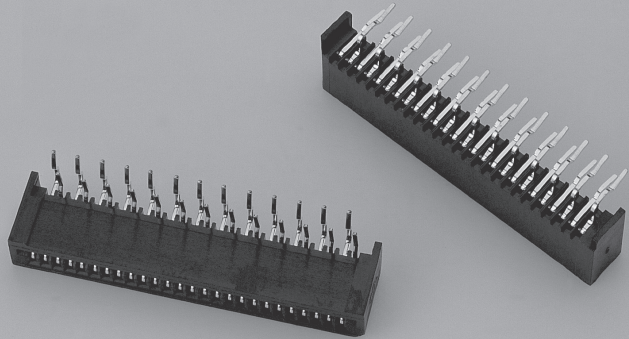
## Side Entry JS-1155R



Poles	Part No.		Dimensions (mm)		
	JS-11551	JS-1155R	A	B	C
3	JS-11551-03	JS-1155R-03	2.50	5.32	9.45
4	JS-11551-04	JS-1155R-04	3.75	6.57	10.70
5	JS-11551-05	JS-1155R-05	5.00	7.82	11.95
6	JS-11551-06	JS-1155R-06	6.25	9.07	13.20
7	JS-11551-07	JS-1155R-07	7.50	10.32	14.45
8	JS-11551-08	JS-1155R-08	8.75	11.57	15.70
9	JS-11551-09	JS-1155R-09	10.00	12.82	16.95
10	JS-11551-10	JS-1155R-10	11.25	14.07	18.20
11	JS-11551-11	JS-1155R-11	12.50	15.32	19.45
12	JS-11551-12	JS-1155R-12	13.75	16.57	20.70
13	JS-11551-13	JS-1155R-13	15.00	17.82	21.95
14	JS-11551-14	JS-1155R-14	16.25	19.07	23.20
15	JS-11551-15	JS-1155R-15	17.50	20.32	24.45
16	JS-11551-16	JS-1155R-16	18.75	21.57	25.70
17	JS-11551-17	JS-1155R-17	20.00	22.82	26.95
18	JS-11551-18	JS-1155R-18	21.25	24.07	28.20
19	JS-11551-19	JS-1155R-19	22.50	25.32	29.45
21	JS-11551-21	JS-1155R-21	25.00	27.82	31.95
22	JS-11551-22	JS-1155R-22	26.25	29.07	33.20

Poles	Part No.		Dimensions (mm)		
	JS-11551	JS-1155R	A	B	C
23	JS-11551-23	JS-1155R-23	27.50	30.32	34.45
24	JS-11551-24	JS-1155R-24	28.75	31.57	35.70
25	JS-11551-25	JS-1155R-25	30.00	32.82	36.95
26	JS-11551-26	JS-1155R-26	31.25	34.07	38.20
27	JS-11551-27	JS-1155R-27	32.50	35.32	39.45
28	JS-11551-28	JS-1155R-28	33.75	36.57	40.70
29	JS-11551-29	JS-1155R-29	35.00	37.82	41.95
30	JS-11551-30	JS-1155R-30	36.25	39.07	43.20
31	JS-11551-31	JS-1155R-31	37.50	40.32	44.45
32	JS-11551-32	JS-1155R-32	38.75	41.57	45.70
33	JS-11551-33	JS-1155R-33	40.00	42.82	46.95
34	JS-11551-34	JS-1155R-34	41.25	44.07	48.20
35	JS-11551-35	JS-1155R-35	42.50	45.32	49.45
36	JS-11551-36	JS-1155R-36	43.75	46.57	50.70
37	JS-11551-37	JS-1155R-37	45.00	47.82	51.95
38	JS-11551-38	JS-1155R-38	46.25	49.07	53.20
39	JS-11551-39	JS-1155R-39	47.50	50.32	54.45
40	JS-11551-40	JS-1155R-40	48.75	51.57	55.70

# 1.25mm (.049") NON-ZIF Type Single Beam Contact Style<DIP>

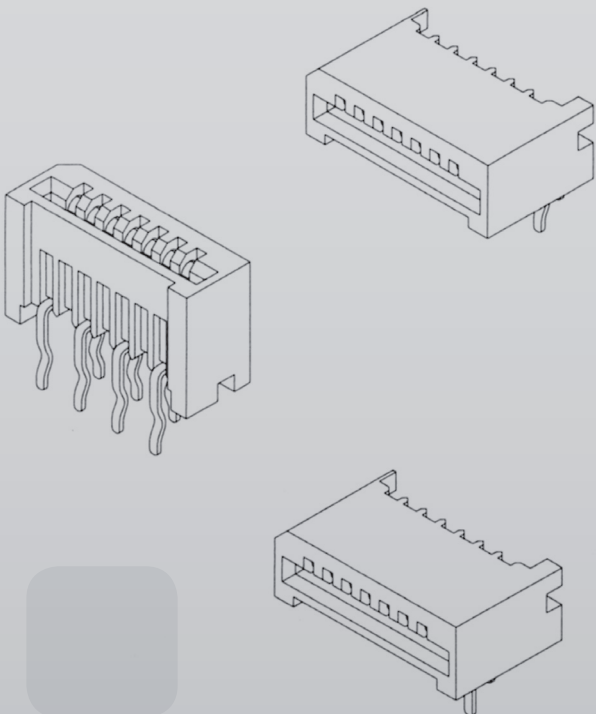


## Specifications

- Voltage Rating : 200V AC/DC
- Current Rating : 1A AC/DC
- Withstanding Voltage : 500V AC/minute
- Insulation Resistance : 500M $\Omega$  min.
- Temperature Range : -20°C to + 80°C
- Contact Resistance : 20m $\Omega$  max.

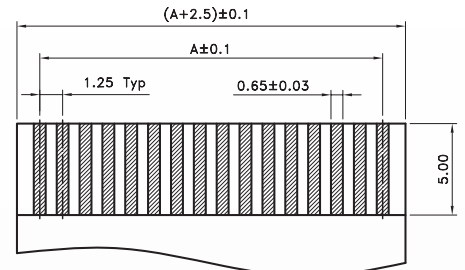
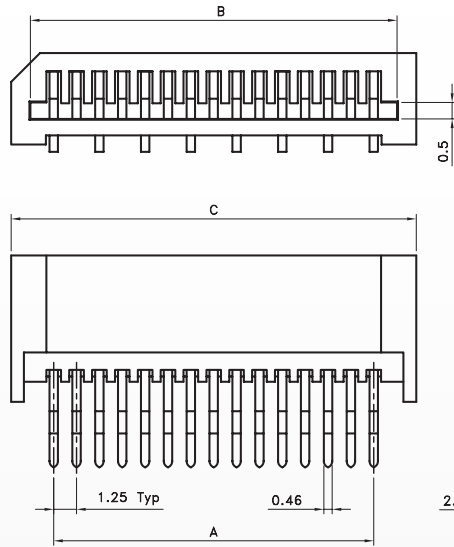
## Features:

- Part No. : JS-1155A-XX (Top Entry)  
JS-1155AR-XX (Side Entry)
- Poles : 3 - 32
- Material : Contact : Phos. Bronze, Tin Plated  
Base : PBT UL94V-0
- Qt'y : 1,000 pcs/Tube Pack

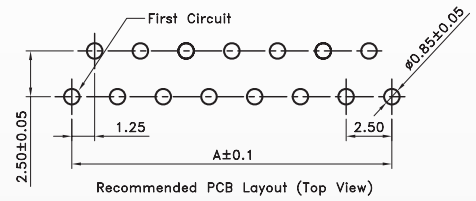


# 1.25mm (.049") NON-ZIF Type Single Beam Contact Style<DIP>

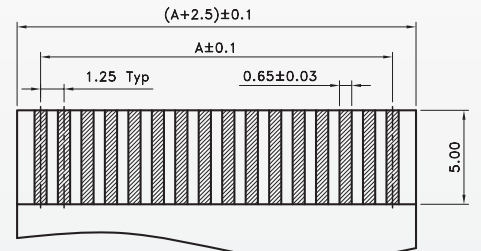
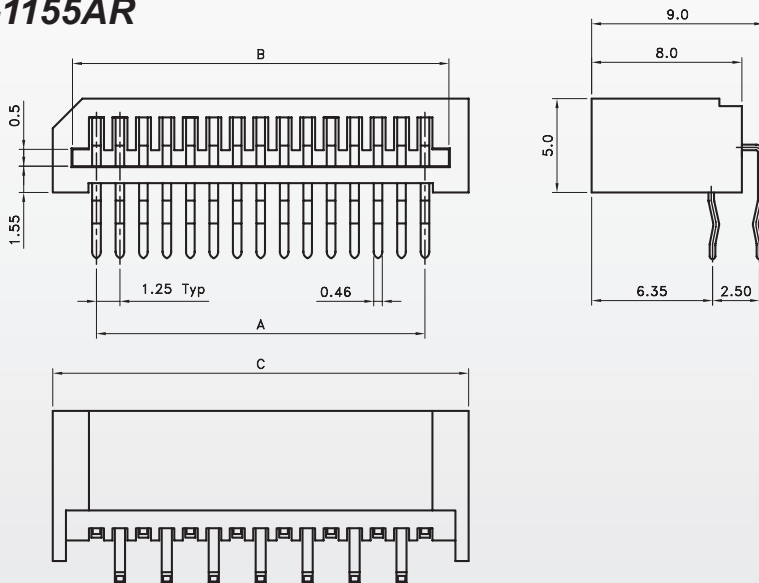
## Top Entry JS-1155A



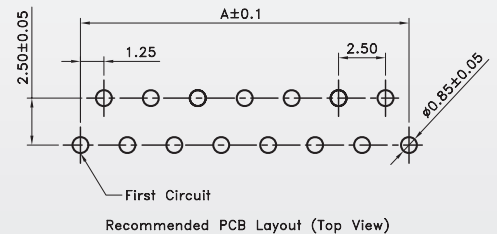
Applicable FPC/FFC T=0.30±0.05



## Side Entry JS-1155AR



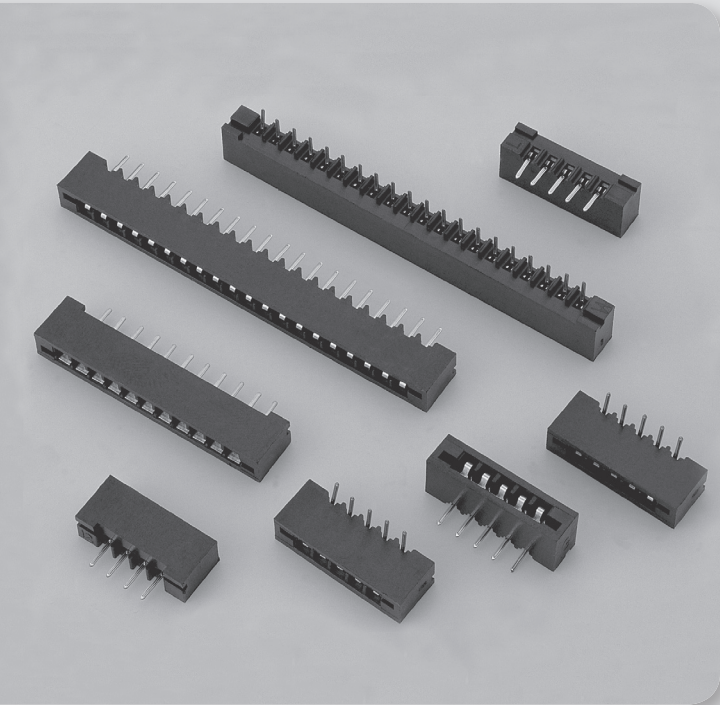
Applicable FPC/FFC T=0.30±0.05



Poles	Part No.		Dimensions (mm)		
	JS-1155A	JS-1155AR	A	B	C
4	JS-1155A-04	JS-1155AR-04	8.55	6.40	3.75
5	JS-1155A-05	JS-1155AR-05	9.80	7.65	5.00
6	JS-1155A-06	JS-1155AR-06	11.05	8.90	6.25
7	JS-1155A-07	JS-1155AR-07	12.30	10.15	7.50
8	JS-1155A-08	JS-1155AR-08	13.55	11.40	8.75
9	JS-1155A-09	JS-1155AR-09	14.80	12.65	10.00
10	JS-1155A-10	JS-1155AR-10	16.05	13.90	11.25
11	JS-1155A-11	JS-1155AR-11	17.30	15.15	12.50
12	JS-1155A-12	JS-1155AR-12	18.55	16.40	13.75
13	JS-1155A-13	JS-1155AR-13	19.80	17.65	15.00
14	JS-1155A-14	JS-1155AR-14	21.05	18.90	16.25
15	JS-1155A-15	JS-1155AR-15	22.30	20.15	17.50
16	JS-1155A-16	JS-1155AR-16	23.55	21.40	18.75
17	JS-1155A-17	JS-1155AR-17	24.80	22.65	20.00
18	JS-1155A-18	JS-1155AR-18	26.05	23.90	21.25
19	JS-1155A-19	JS-1155AR-19	27.30	25.15	22.50
20	JS-1155A-20	JS-1155AR-20	28.55	26.40	23.75

Poles	Part No.		Dimensions (mm)		
	JS-1155A	JS-1155AR	A	B	C
21	JS-1155A-21	JS-1155AR-21	29.80	27.65	25.00
22	JS-1155A-22	JS-1155AR-22	31.05	28.90	26.25
23	JS-1155A-23	JS-1155AR-23	32.30	30.15	27.50
24	JS-1155A-24	JS-1155AR-24	33.55	31.40	28.75
25	JS-1155A-25	JS-1155AR-25	34.80	32.65	30.00
26	JS-1155A-26	JS-1155AR-26	36.05	33.90	31.25
27	JS-1155A-27	JS-1155AR-27	37.30	35.15	32.50
28	JS-1155A-28	JS-1155AR-28	38.55	36.40	33.75
29	JS-1155A-29	JS-1155AR-29	39.80	37.65	35.00
30	JS-1155A-30	JS-1155AR-30	41.05	38.90	36.25
31	JS-1155A-31	JS-1155AR-31	42.30	40.15	37.50
32	JS-1155A-32	JS-1155AR-32	43.55	41.40	38.75
33	JS-1155A-33	JS-1155AR-33	44.80	42.65	40.00
34	JS-1155A-34	JS-1155AR-34	46.05	43.90	41.25
35	JS-1155A-35	JS-1155AR-35	47.30	45.15	42.50
36	JS-1155A-36	JS-1155AR-36	48.55	46.40	43.75

# 2.54mm (.100") NON-ZIF Type Dual Beam Contact Style<DIP>

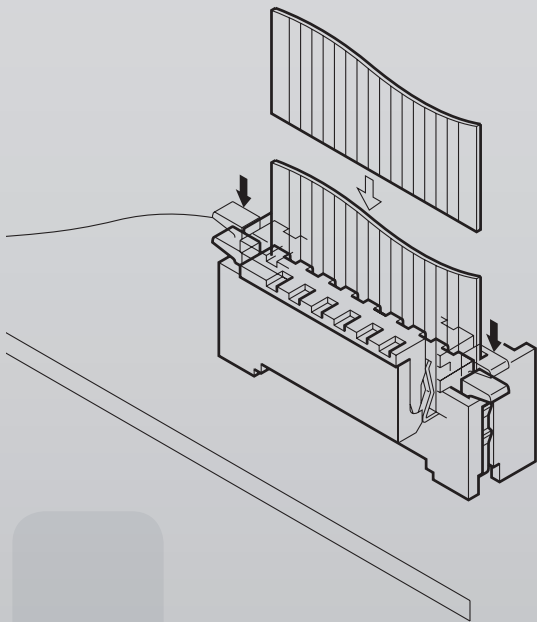


## Specifications

- Voltage Rating : 250V AC/DC
- Current Rating : 1A AC/DC
- Withstanding Voltage : 1,000V AC/minute
- Insulation Resistance : 5,000M $\Omega$  min.
- Temperature Range : -40°C to + 105°C
- Contact Resistance : 25m $\Omega$  max.

## Features:

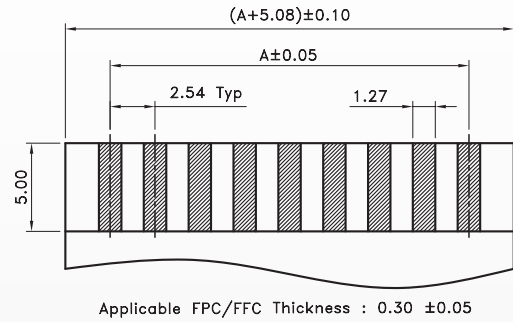
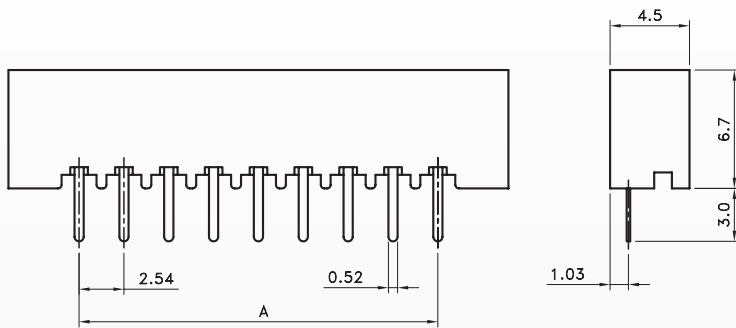
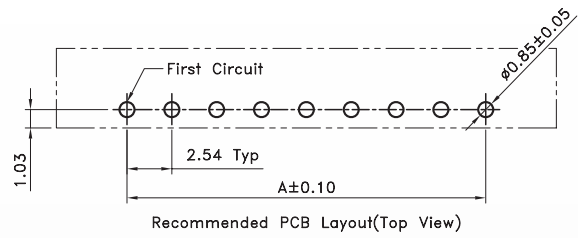
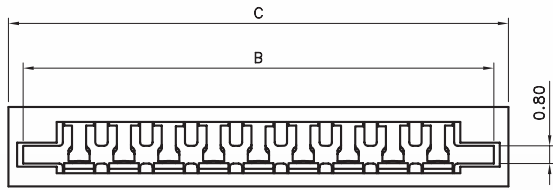
- Part No. : JS-1160-XX(Top Entry)  
JS-1160R-XX(Side Entry)
- Poles : 2 - 27
- Material : Contact : Phos. Bronze, Tin Plated  
Base : PBT UL94V-0
- Q'ty : 1,000 pcs/Bag



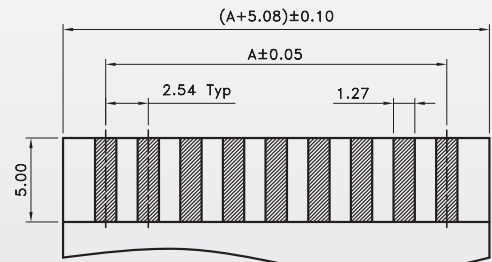
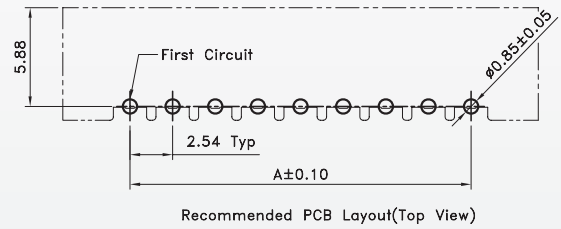
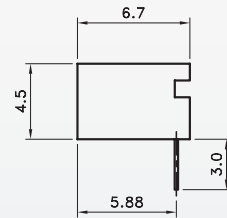
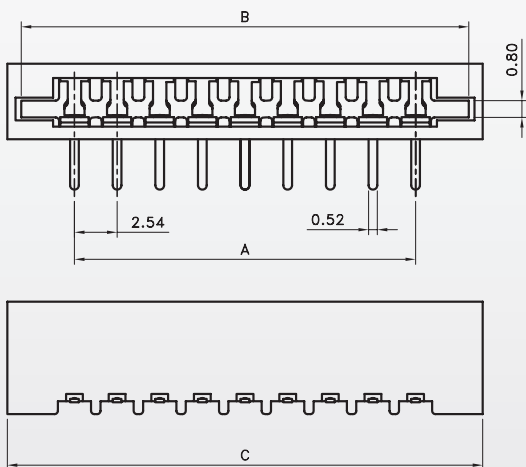


# 2.54mm (.100") NON-ZIF Type Dual Beam Contact Style<DIP>

## Top Entry JS-1160



## Side Entry JS-1160R



Poles	Part No.		Dimensions (mm)		
	JS-1160	JS-1160R	A	B	C
2	JS-1160-02	JS-1160R-02	2.54	8.43	10.54
3	JS-1160-03	JS-1160R-03	5.08	10.97	13.08
4	JS-1160-04	JS-1160R-04	7.62	13.51	15.62
5	JS-1160-05	JS-1160R-05	10.16	16.05	18.16
6	JS-1160-06	JS-1160R-06	12.70	18.59	20.79
7	JS-1160-07	JS-1160R-07	15.24	21.13	23.24
8	JS-1160-08	JS-1160R-08	17.78	23.67	25.78
9	JS-1160-09	JS-1160R-09	20.32	26.21	28.32
10	JS-1160-10	JS-1160R-10	22.86	28.75	30.86
11	JS-1160-11	JS-1160R-11	25.40	31.29	33.40
12	JS-1160-12	JS-1160R-12	27.94	33.83	35.94
13	JS-1160-13	JS-1160R-13	30.48	36.37	38.48
14	JS-1160-14	JS-1160R-14	33.02	38.91	41.02
15	JS-1160-15	JS-1160R-15	35.56	41.45	43.56
16	JS-1160-16	JS-1160R-16	38.10	43.99	46.10

Poles	Part No.		Dimensions (mm)		
	JS-1160	JS-1160R	A	B	C
17	JS-1160-17	JS-1160R-17	40.64	46.53	48.64
18	JS-1160-18	JS-1160R-18	43.18	49.07	51.18
19	JS-1160-19	JS-1160R-19	45.72	51.60	53.72
20	JS-1160-20	JS-1160R-20	48.26	54.15	56.26
21	JS-1160-21	JS-1160R-21	50.80	56.69	58.80
22	JS-1160-22	JS-1160R-22	53.34	59.23	61.34
23	JS-1160-23	JS-1160R-23	55.88	61.77	63.88
24	JS-1160-24	JS-1160R-24	58.42	64.31	66.42
25	JS-1160-25	JS-1160R-25	60.96	66.85	68.96
26	JS-1160-26	JS-1160R-26	63.50	69.39	71.50
27	JS-1160-27	JS-1160R-27	66.04	71.93	74.04
28	JS-1160-28	JS-1160R-28	68.58	74.47	76.58
29	JS-1160-29	JS-1160R-29	71.12	77.01	79.12
30	JS-1160-30	JS-1160R-30	73.66	79.55	81.66



# 1.56ø G.T. Pin

## Specifications

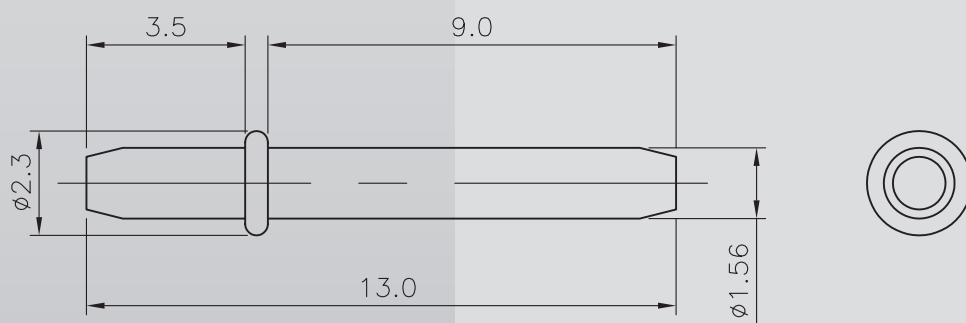
- Voltage Rating : 250V AC/DC
- Current Rating : 5A AC/ DC
- Withstanding Voltage : 1,500V AC/minute
- Insulation Resistance : 1,000MΩ min.
- Temperature Range : -25°C to + 85°C
- Contact Resistance : 20mΩ max.

## Features:

- Part No. : MS-PIN156132
- Poles : Single Pin
- Material : Brass (ø1.5 Copper Wire)
- Finish : Tin Plated
- Q,ty : 5,000 pcs/Bag



## MS-PIN156132



## 2.36ø G.T. Pin

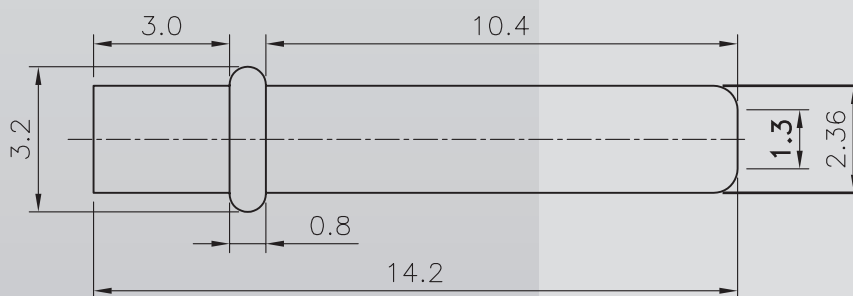
### Specifications

- Voltage Rating : 250V AC/DC
- Current Rating : 5A AC/ DC
- Withstanding Voltage : 1,500V AC/minute
- Insulation Resistance : 1,000MΩ min.
- Temperature Range : -25°C to + 85°C
- Contact Resistance : 20mΩ max.

### Features:

- Part No. : MS-PIN236143
- Poles : Single Pin
- Material : Brass
- Finish : Tin Plated
- Q,ty : 5,000 pcs/Bag

### MS-PIN236143



E

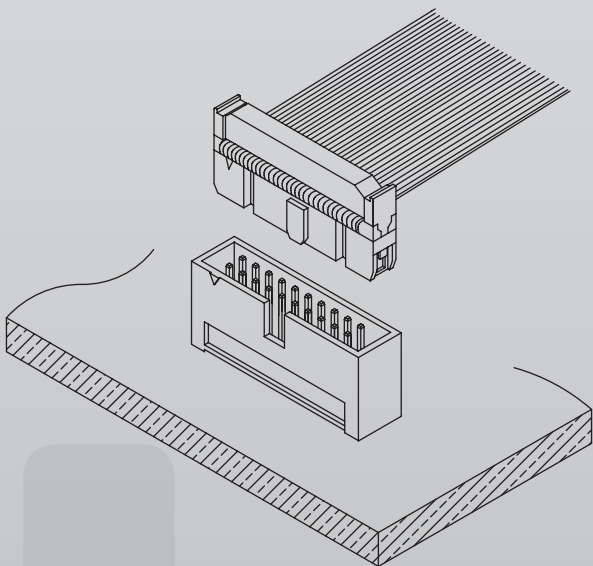
# 2.00mm (.079") Box Header

## Specifications

- Voltage Rating : 250V AC/DC
- Current Rating : 1A AC/DC
- Withstanding Voltage : 500V AC/minute
- Insulation Resistance : 1,000M $\Omega$  min.
- Temperature Range : -40°C to + 105°C
- Contact Resistance : 20m $\Omega$  max.

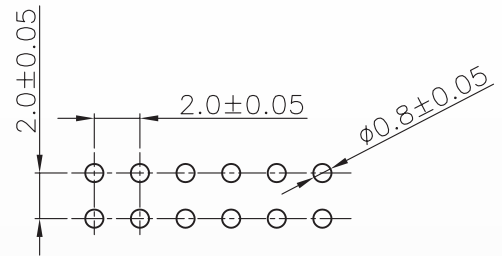
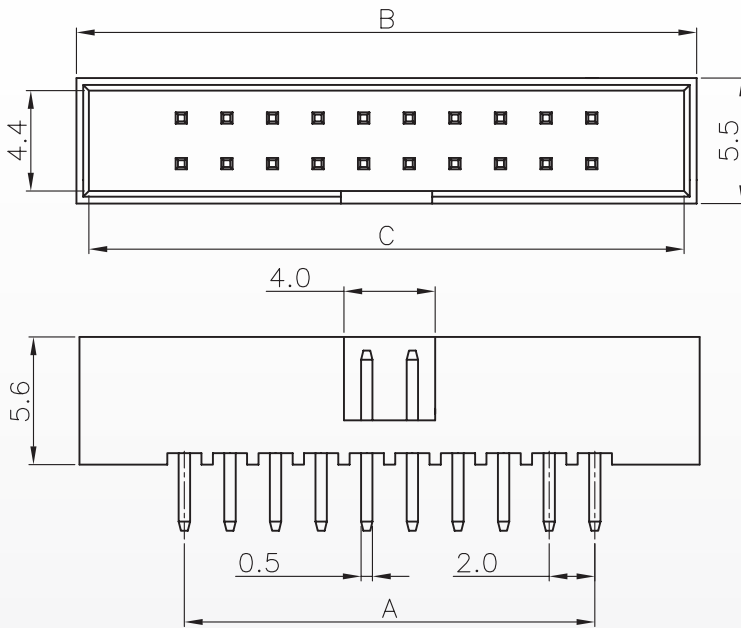
## Features:

- Part No. : JS-1300 (DIP Type, Straight)  
JS-1300R (DIP Type, Right Angle)  
JS-1300D (SMT Type)
- Poles : 8 - 68
- Material : Contact : Brass, Gold Plated  
Base : PBT UL94V-0
- Q'ty : 1,000 pcs/Bag

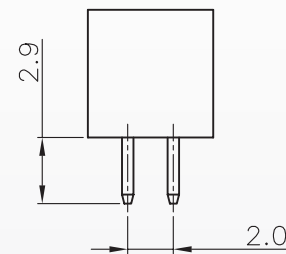


# 2.00mm (.079") Box Header

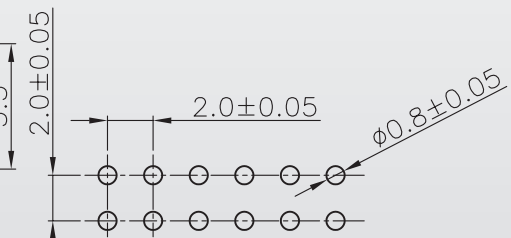
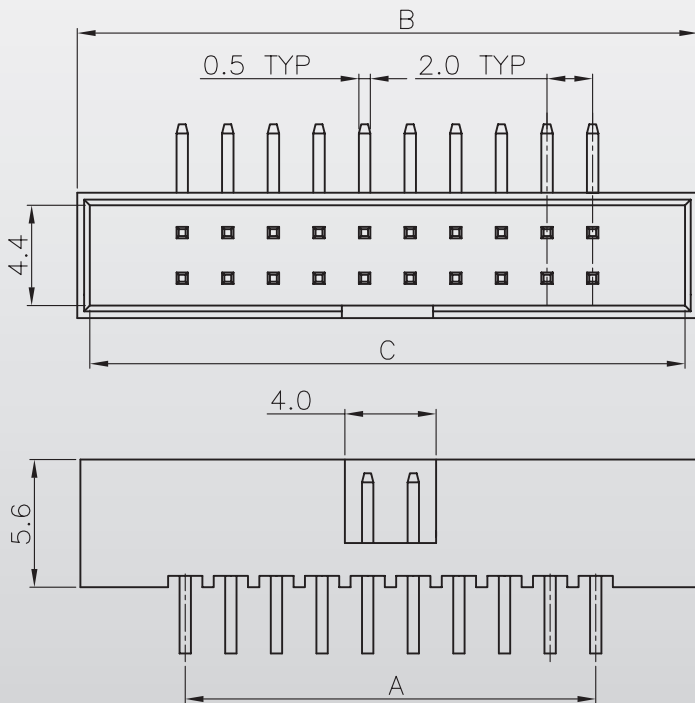
## **Straight < DIP Type >** **JS-1300**



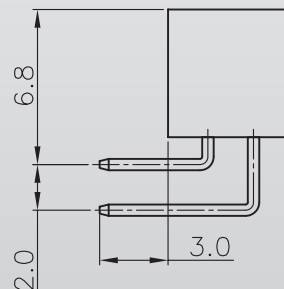
Recommand PCB Layout



## **Right Angle < DIP Type >** **JS-1300R**

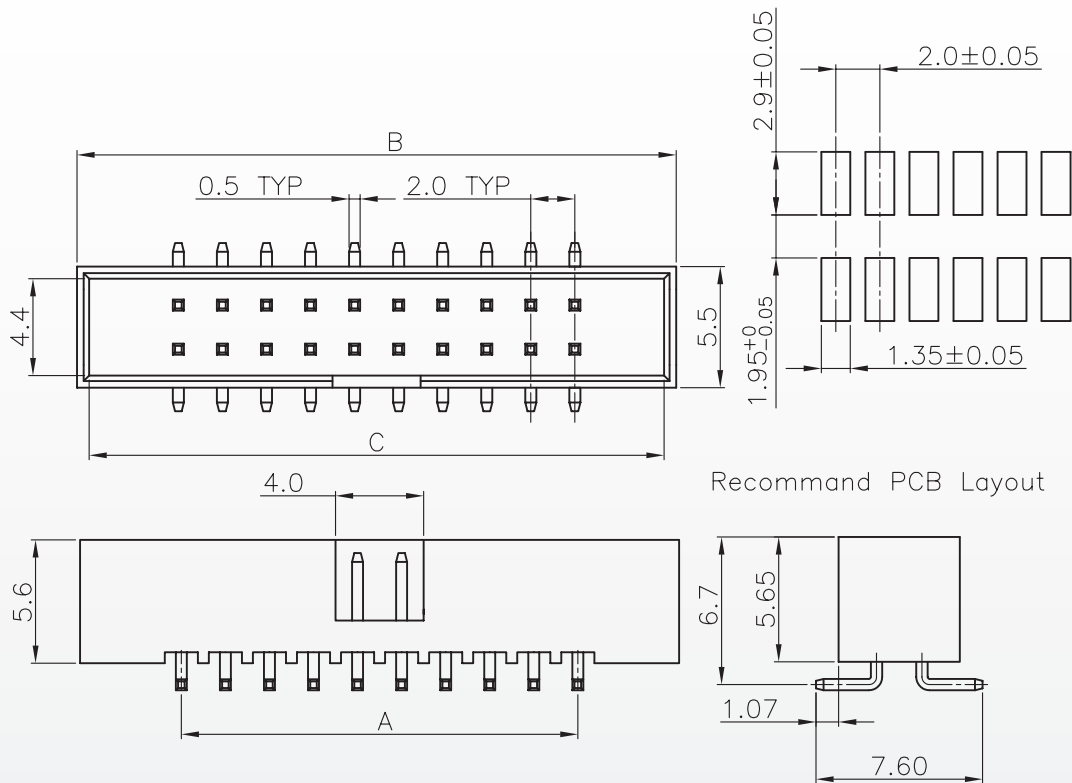


Recommand PCB Layout



# 2.00mm (.079") Box Header

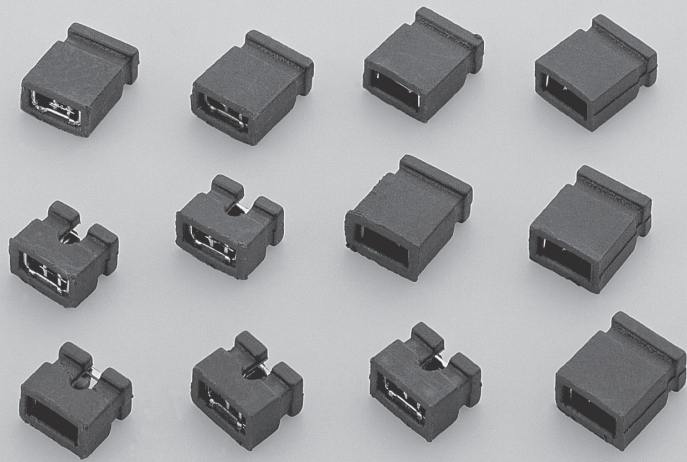
## SMT Type JS-1300D



Poles	Part No.			Dimensions (mm)		
	JS-1300	JS-1300R	JS-1300D	A	B	C
8	JS-1300-08	JS-1300R-08	JS-1300D-08	6.00	15.20	14.10
10	JS-1300-10	JS-1300R-10	JS-1300D-10	8.00	17.20	16.10
12	JS-1300-12	JS-1300R-12	JS-1300D-12	10.00	19.20	18.10
14	JS-1300-14	JS-1300R-14	JS-1300D-14	12.00	21.20	20.10
16	JS-1300-16	JS-1300R-16	JS-1300D-16	14.00	23.20	22.10
20	JS-1300-20	JS-1300R-20	JS-1300D-20	18.00	27.20	26.10
22	JS-1300-22	JS-1300R-22	JS-1300D-22	20.00	29.20	28.10
24	JS-1300-24	JS-1300R-24	JS-1300D-24	22.00	31.20	30.10
26	JS-1300-26	JS-1300R-26	JS-1300D-26	24.00	33.20	32.10
30	JS-1300-30	JS-1300R-30	JS-1300D-30	28.00	37.20	36.10
32	JS-1300-32	JS-1300R-32	JS-1300D-32	30.00	39.20	38.10
34	JS-1300-34	JS-1300R-34	JS-1300D-34	32.00	41.20	40.10
36	JS-1300-36	JS-1300R-36	JS-1300D-36	34.00	43.20	42.10
40	JS-1300-40	JS-1300R-40	JS-1300D-40	38.00	47.20	46.10
44	JS-1300-44	JS-1300R-44	JS-1300D-44	42.00	51.20	50.10
50	JS-1300-50	JS-1300R-50	JS-1300D-50	48.00	57.20	56.10
60	JS-1300-60	JS-1300R-60	JS-1300D-60	58.00	67.20	66.10
68	JS-1300-68	JS-1300R-68	JS-1300D-68	66.00	75.20	74.10



# 2.00mm (.079") Mini-Jumper



## Specifications

- Voltage Rating : 250V AC/DC
- Current Rating : 3A AC/DC
- Withstanding Voltage : 1,000V AC/minute
- Insulation Resistance : 1,000MΩ min.
- Temperature Range : -40°C to + 105°C
- Contact Resistance : 20mΩ max.

## Features:

### ■ MINI JUMPER

Part No. : JS-M200035-PO (Open Type)

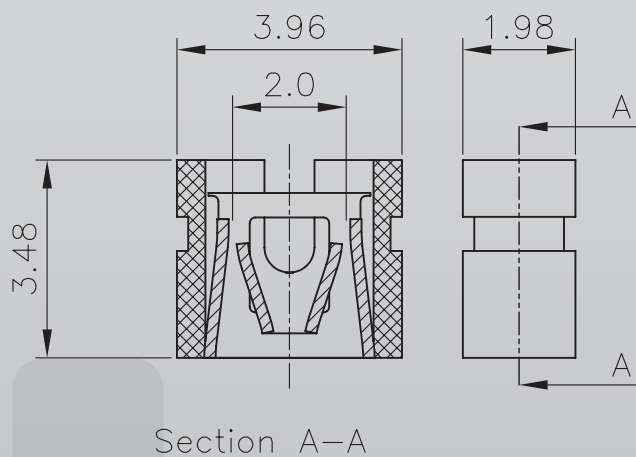
JS-M200050-PC (Close Type)

Material : Contact : Phos. Bronze, Gold Plated

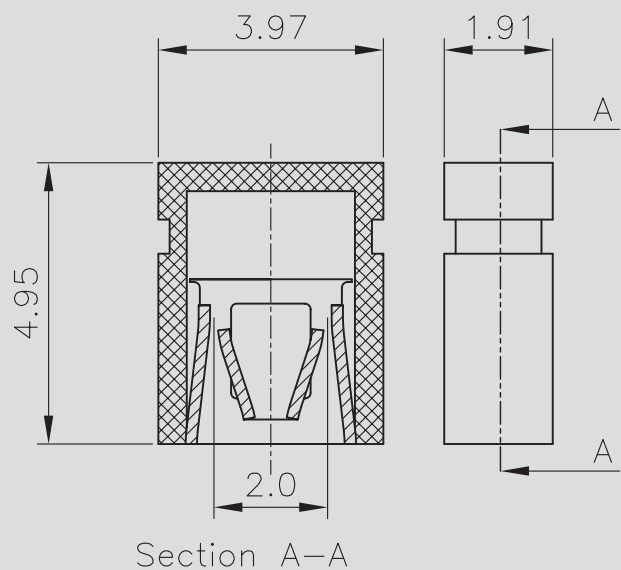
Base : PBT UL94V-0

Q,ty : 2,000 pcs/Bag

## JS-M200035-PO



## JS-M200050-PC



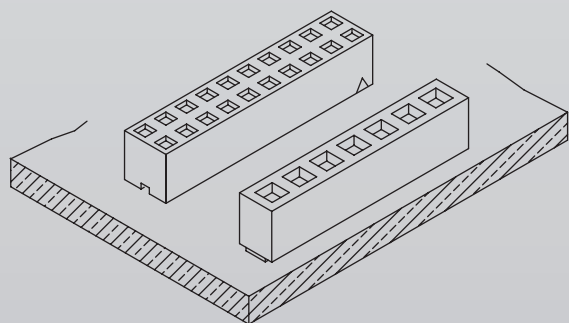
# 2.00mm (.079") Female Header

## Specifications

- Current Rating : 1A AC/DC
- Withstanding Voltage : 500V AC/minute
- Insulation Resistance : 5,000M $\Omega$  min.
- Temperature Range : -40°C to + 105°C
- Contact Resistance : 20m $\Omega$  max.

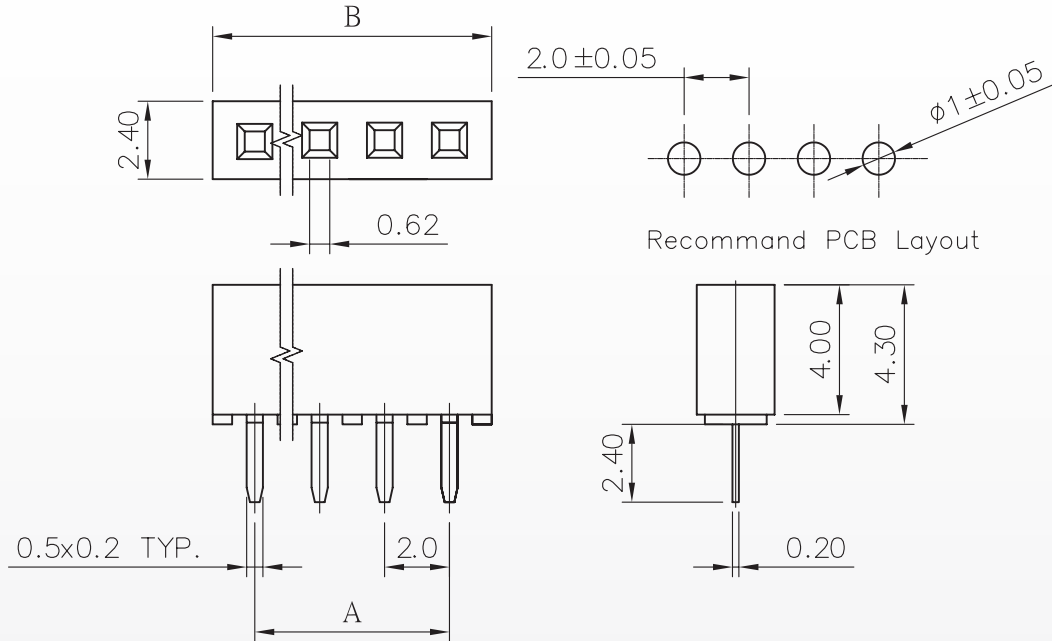
## Features:

- Part No. : JS-1192SD1G (Straight, Single Row)  
JS-1192RD1G (Right Angle, Single Row)  
JS-1193SD1G (Straight, Double Row)  
JS-1193RD1G (Right Angle, Double Row)
- Poles : 2 - 40 (Single Row), 4-80 (Double Row)
- Material : Contact : Phos. Bronze, Gold Plated  
Base : PBT UL94V-0
- Q,ty : 1,000 pcs/PVC Box

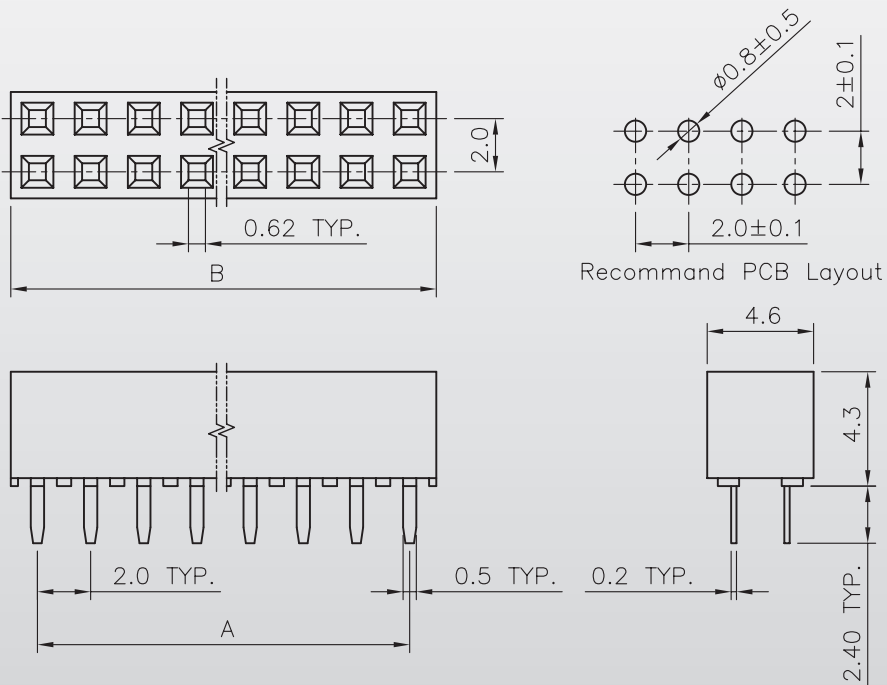


# 2.00mm (.079") Female Header

## Straight - Single Row JS-1192SD1G

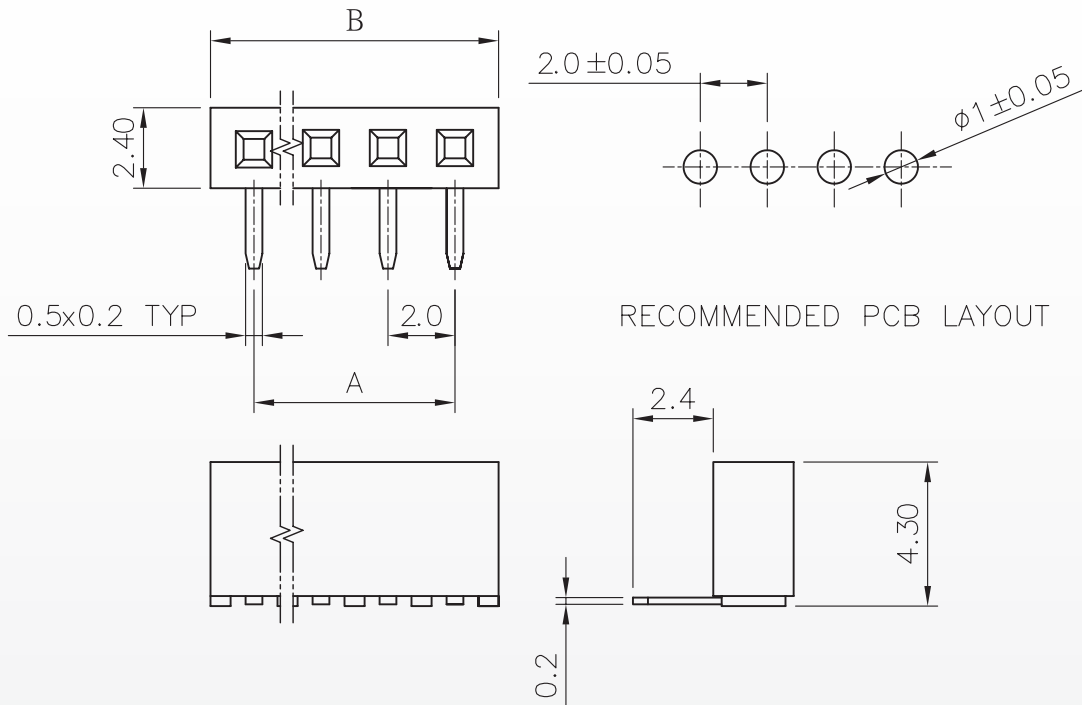


## Straight - Double Row JS-1193SD1G

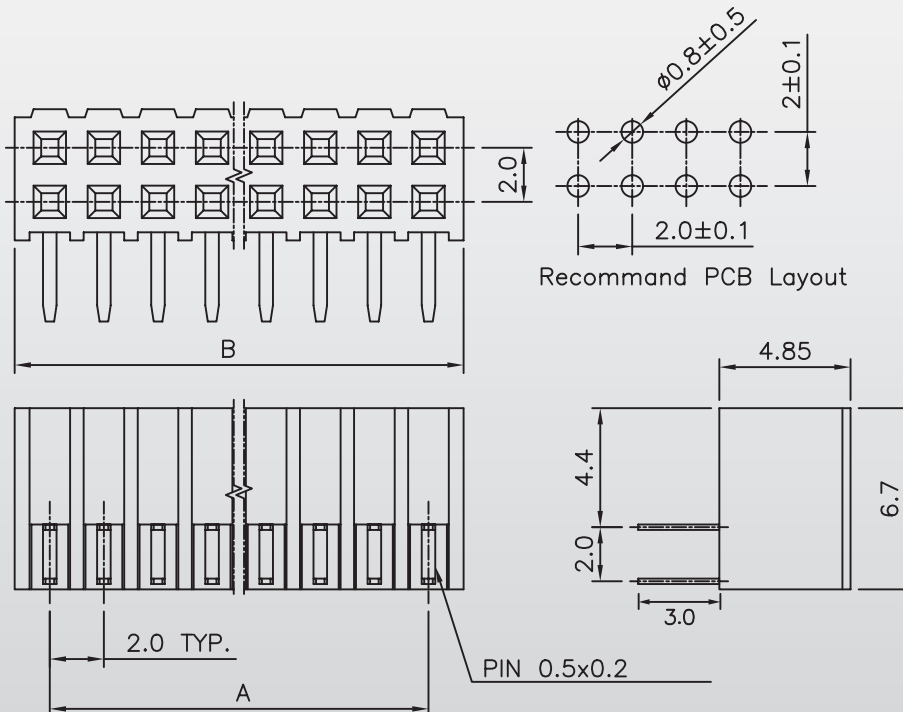


# 2.00mm (.079") Female Header

## Right Angle - Single Row JS-1192RD1G



## Right Angle - Double Row JS-1193RD1G



# 2.00mm (.079") Female Header

Part No.				Dimensions (mm)	
JS-1192SD1G	JS-1192RD1G	JS-1193SD1G	JS-1193RD1G	A	B
JS-1192SD1G-02	JS-1192RD1G-02	JS-1193SD1G-04	JS-1193RD1G-04	2.00	4.60
JS-1192SD1G-03	JS-1192RD1G-03	JS-1193SD1G-06	JS-1193RD1G-06	4.00	6.60
JS-1192SD1G-04	JS-1192RD1G-04	JS-1193SD1G-08	JS-1193RD1G-08	6.00	8.60
JS-1192SD1G-05	JS-1192RD1G-05	JS-1193SD1G-10	JS-1193RD1G-10	8.00	10.60
JS-1192SD1G-06	JS-1192RD1G-06	JS-1193SD1G-12	JS-1193RD1G-12	10.00	12.60
JS-1192SD1G-07	JS-1192RD1G-07	JS-1193SD1G-14	JS-1193RD1G-14	12.00	14.60
JS-1192SD1G-08	JS-1192RD1G-08	JS-1193SD1G-16	JS-1193RD1G-16	14.00	16.60
JS-1192SD1G-09	JS-1192RD1G-09	JS-1193SD1G-18	JS-1193RD1G-18	16.00	18.60
JS-1192SD1G-10	JS-1192RD1G-10	JS-1193SD1G-20	JS-1193RD1G-20	18.00	20.60
JS-1192SD1G-11	JS-1192RD1G-11	JS-1193SD1G-22	JS-1193RD1G-22	20.00	22.60
JS-1192SD1G-12	JS-1192RD1G-12	JS-1193SD1G-24	JS-1193RD1G-24	22.00	24.60
JS-1192SD1G-13	JS-1192RD1G-13	JS-1193SD1G-26	JS-1193RD1G-26	24.00	26.60
JS-1192SD1G-14	JS-1192RD1G-14	JS-1193SD1G-28	JS-1193RD1G-28	26.00	28.60
JS-1192SD1G-15	JS-1192RD1G-15	JS-1193SD1G-30	JS-1193RD1G-30	28.00	30.60
JS-1192SD1G-16	JS-1192RD1G-16	JS-1193SD1G-32	JS-1193RD1G-32	30.00	32.60
JS-1192SD1G-17	JS-1192RD1G-17	JS-1193SD1G-34	JS-1193RD1G-34	32.00	34.60
JS-1192SD1G-18	JS-1192RD1G-18	JS-1193SD1G-36	JS-1193RD1G-36	34.00	36.60
JS-1192SD1G-19	JS-1192RD1G-19	JS-1193SD1G-38	JS-1193RD1G-38	36.00	38.60
JS-1192SD1G-20	JS-1192RD1G-20	JS-1193SD1G-40	JS-1193RD1G-40	38.00	40.60
JS-1192SD1G-21	JS-1192RD1G-21	JS-1193SD1G-42	JS-1193RD1G-42	40.00	42.60
JS-1192SD1G-22	JS-1192RD1G-22	JS-1193SD1G-44	JS-1193RD1G-44	42.00	44.60
JS-1192SD1G-23	JS-1192RD1G-23	JS-1193SD1G-46	JS-1193RD1G-46	44.00	46.60
JS-1192SD1G-24	JS-1192RD1G-24	JS-1193SD1G-48	JS-1193RD1G-48	46.00	48.60
JS-1192SD1G-25	JS-1192RD1G-25	JS-1193SD1G-50	JS-1193RD1G-50	48.00	50.60
JS-1192SD1G-26	JS-1192RD1G-26	JS-1193SD1G-52	JS-1193RD1G-52	50.00	52.60
JS-1192SD1G-27	JS-1192RD1G-27	JS-1193SD1G-54	JS-1193RD1G-54	52.00	54.60
JS-1192SD1G-28	JS-1192RD1G-28	JS-1193SD1G-56	JS-1193RD1G-56	54.00	56.60
JS-1192SD1G-29	JS-1192RD1G-29	JS-1193SD1G-58	JS-1193RD1G-58	56.00	58.60
JS-1192SD1G-30	JS-1192RD1G-30	JS-1193SD1G-60	JS-1193RD1G-60	58.00	60.60
JS-1192SD1G-31	JS-1192RD1G-31	JS-1193SD1G-62	JS-1193RD1G-62	60.00	62.60
JS-1192SD1G-32	JS-1192RD1G-32	JS-1193SD1G-64	JS-1193RD1G-64	62.00	64.60
JS-1192SD1G-33	JS-1192RD1G-33	JS-1193SD1G-66	JS-1193RD1G-66	64.00	66.60
JS-1192SD1G-34	JS-1192RD1G-34	JS-1193SD1G-68	JS-1193RD1G-68	66.00	68.60
JS-1192SD1G-35	JS-1192RD1G-35	JS-1193SD1G-70	JS-1193RD1G-70	68.00	70.60
JS-1192SD1G-36	JS-1192RD1G-36	JS-1193SD1G-72	JS-1193RD1G-72	70.00	72.60
JS-1192SD1G-37	JS-1192RD1G-37	JS-1193SD1G-74	JS-1193RD1G-74	72.00	74.60
JS-1192SD1G-38	JS-1192RD1G-38	JS-1193SD1G-76	JS-1193RD1G-76	74.00	76.60
JS-1192SD1G-39	JS-1192RD1G-39	JS-1193SD1G-78	JS-1193RD1G-78	76.00	78.60
JS-1192SD1G-40	JS-1192RD1G-40	JS-1193SD1G-80	JS-1193RD1G-80	78.00	80.60

E



# 2.00mm (.079") PCB Socket

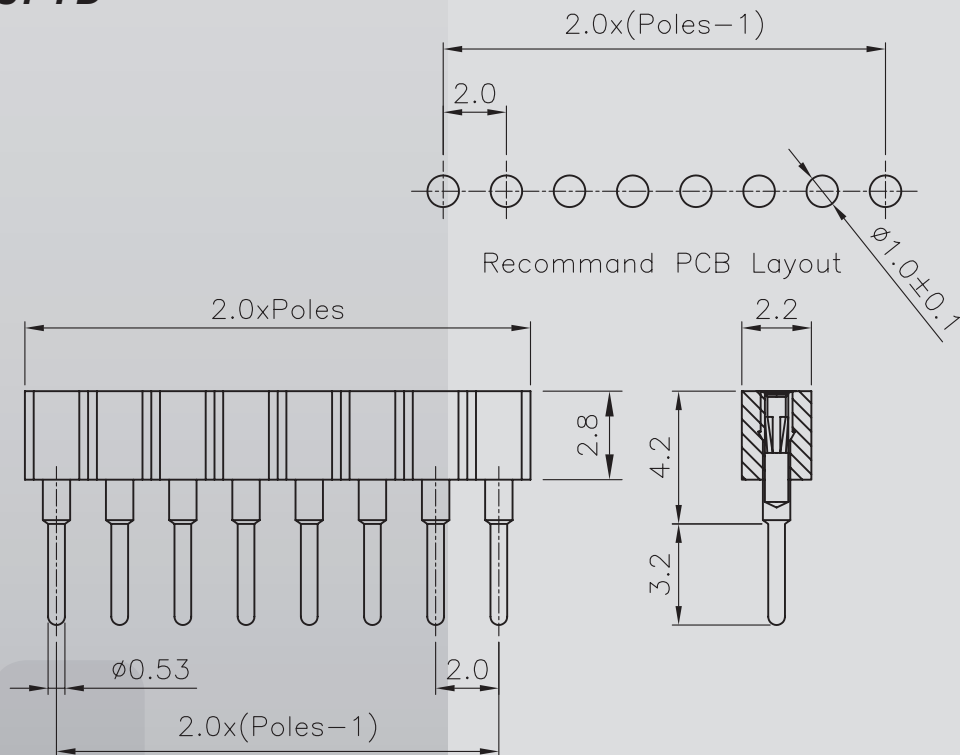
## Specifications

- Voltage Rating : 100V AC/DC
- Current Rating : 1A AC/ DC
- Withstanding Voltage : 1,000V AC/minute
- Insulation Resistance : 5,000MΩ min.
- Temperature Range : -55°C to + 175°C
- Contact Resistance : 20mΩ max.

## Features:

- Part No. : JS-11801SFTD
- Poles : 1-40
- Material : Contact : Brass, Tin Plated
- Base : PBT UL94V-0
- Q,ty : 1,000 pcs/Bag

## JS-11801SFTD



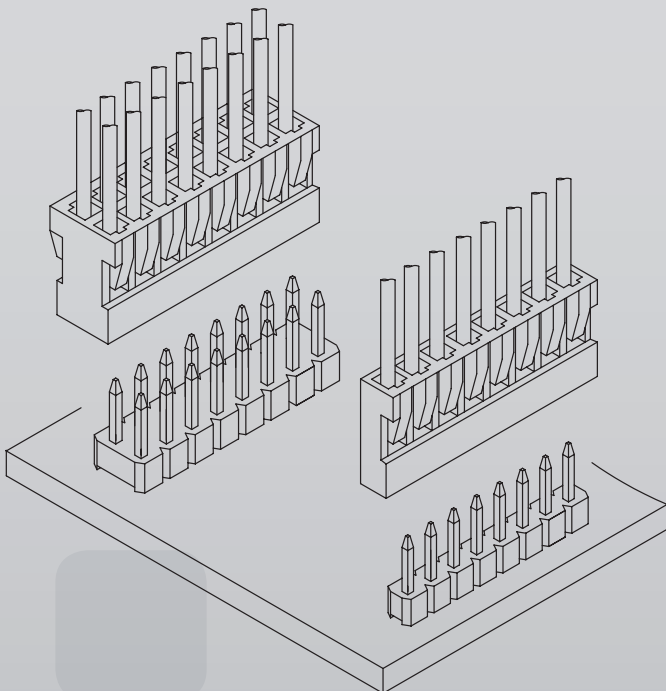
# 2.00mm (.079") PCB Pin Header

## Specifications

- *Current Rating : 1A AC/DC*
- *Withstanding Voltage : 500V AC/minute*
- *Insulation Resistance : 5,000MΩ min.*
- *Temperature Range : -40°C to + 105°C*
- *Contact Resistance : 20mΩ max.*

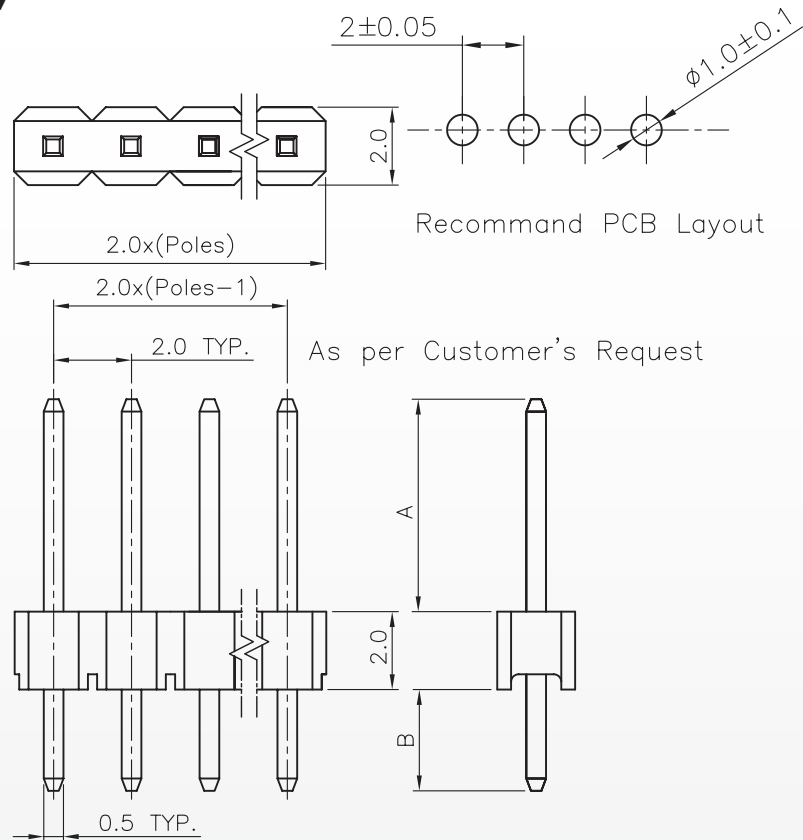
## Features:

- *Part No. : JS-1126WS-xx(A/B) (Single Row, 180°)*  
*JS-1126WR-xx(A/B/C) (Single Row, 90°)*  
*JS-1126WS-xx(A/B) (Single Row, 180°)*  
*JS-1127WR-xx\*2(A/B/C) (Double Row, 90°)*
- Poles : 1-40 (Single Row)*  
*1x2-40x2 (Double Row)*
- Material : Contact : Brass, Gold Plated*
- Finish : PBT UL94V-0*
- Q,ty : 1,000 pcs/Bag*

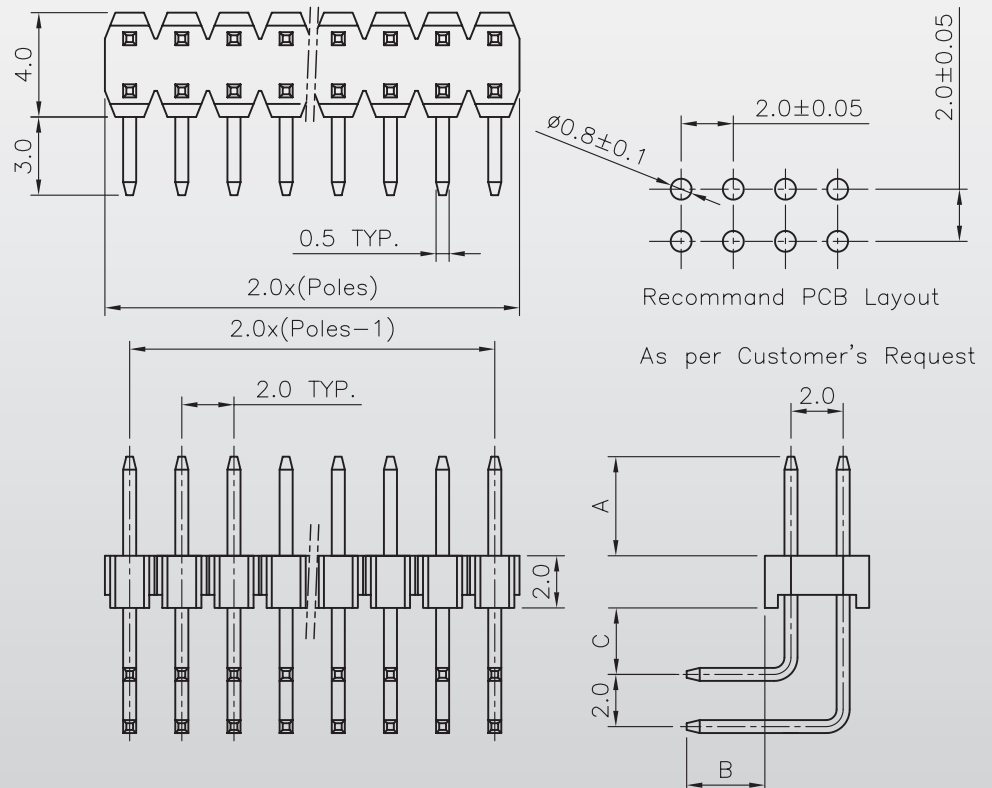


# 2.00mm (.079") PCB Pin Header

## Straight - Single Row JS-1126WS-xx(A/B)



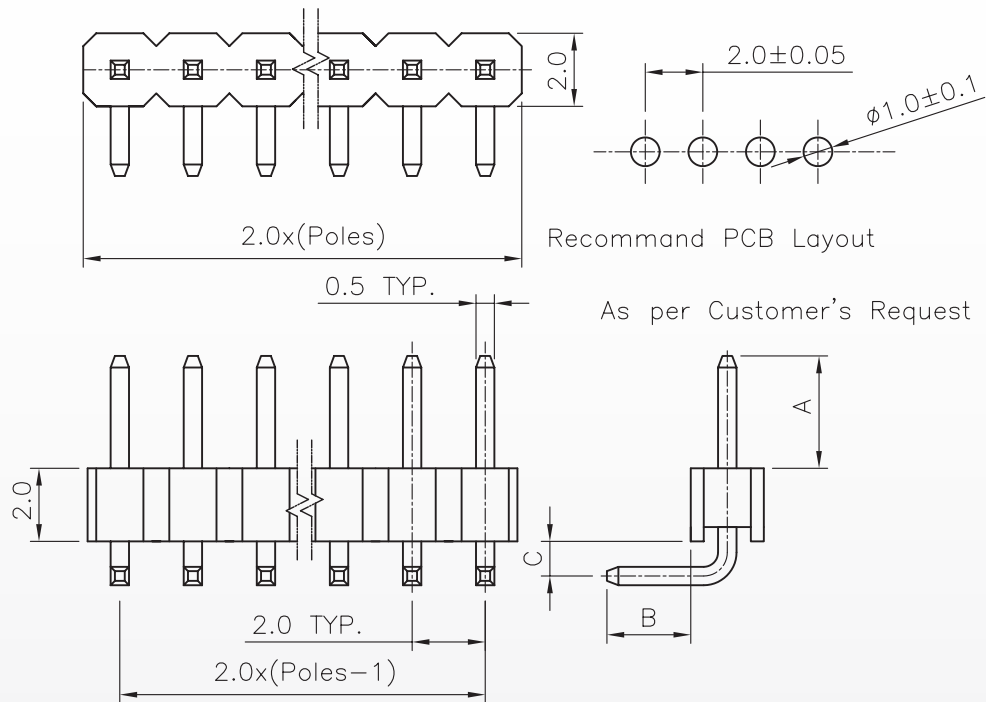
## Straight - Double Row JS-1127WS-xx\*2(A/B)



# 2.00mm (.079") PCB Pin Header

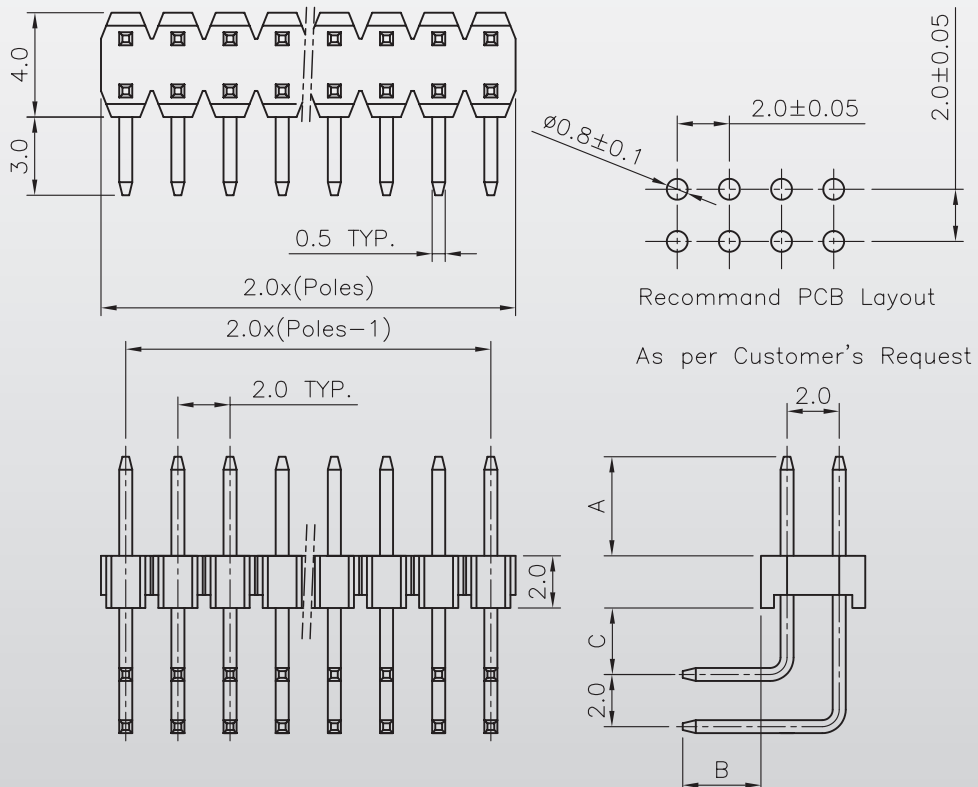
## Right Angle - Single Row

JS-1126WR-xx(A/B/C)



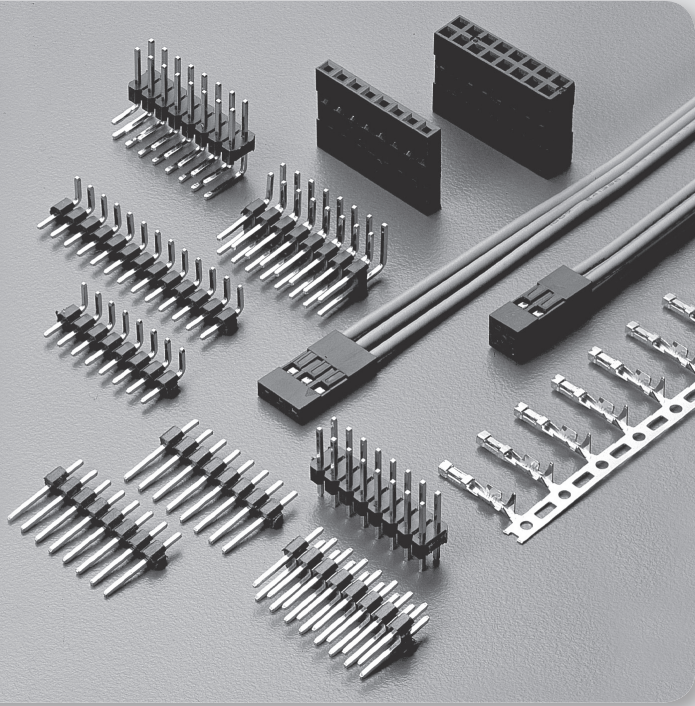
## Right Angle - Double Row

JS-1127WR-xx\*2(A/B/C)





# 2.54mm (.100") PCB Pin Headers



## Specifications

- Voltage Rating : 250V AC/DC
- Current Rating : 3A AC/ DC
- Withstanding Voltage : 1,000V AC/minute
- Insulation Resistance : 1,000M $\Omega$  min.
- Temperature Range : -25°C to + 85°C
- Contact Resistance : 20m $\Omega$  max.

## Features:

- Part No. : JS-1106-xx\*2(A/B) (Single Row, 180°)  
JS-1107-xx\*2(A/B/C) (Single Row, 90°)  
JS-1109-xx(A/B) (Single Row, 180°)  
JS-1110-xx(A/B/C) (Double Row, 90°)

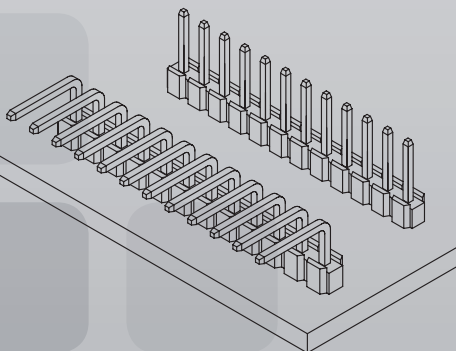
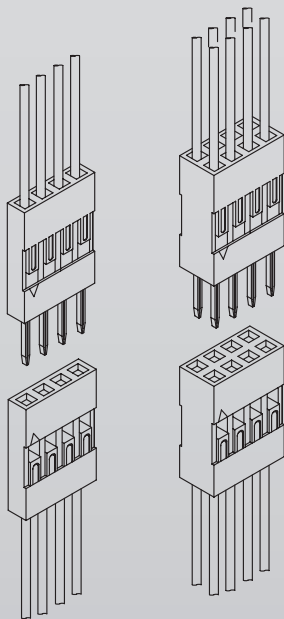
Poles : 1-40 (Single Row)

2x2 - 40x2 (Double Row)

Material : Contact : Brass, Gold Plated

Base : PBT UL94V-0

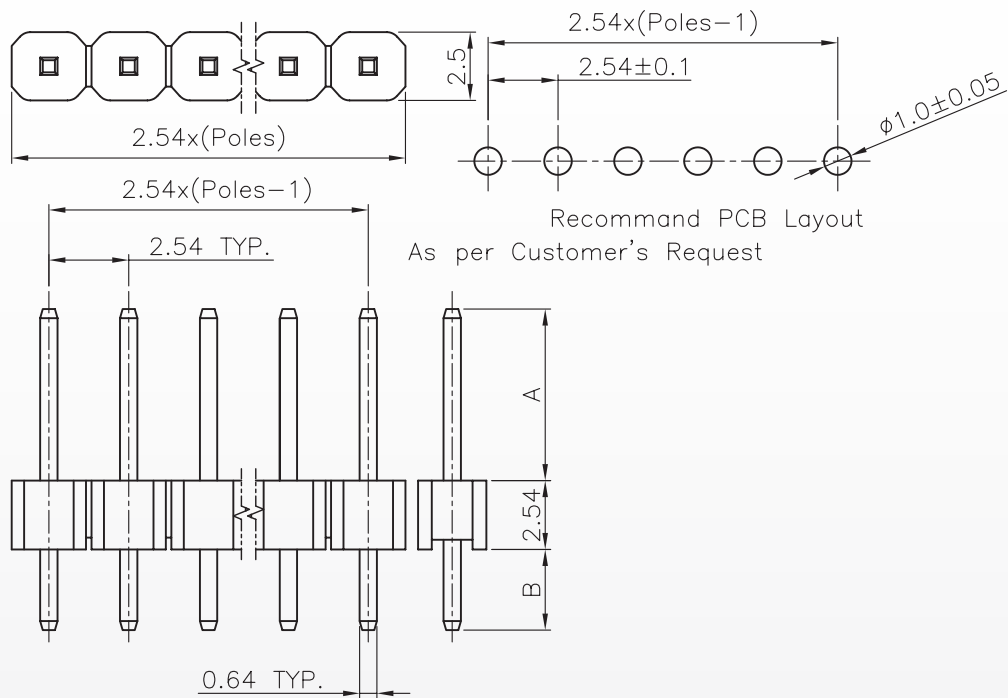
Q,ty : 1,000 pcs/PVC Bag



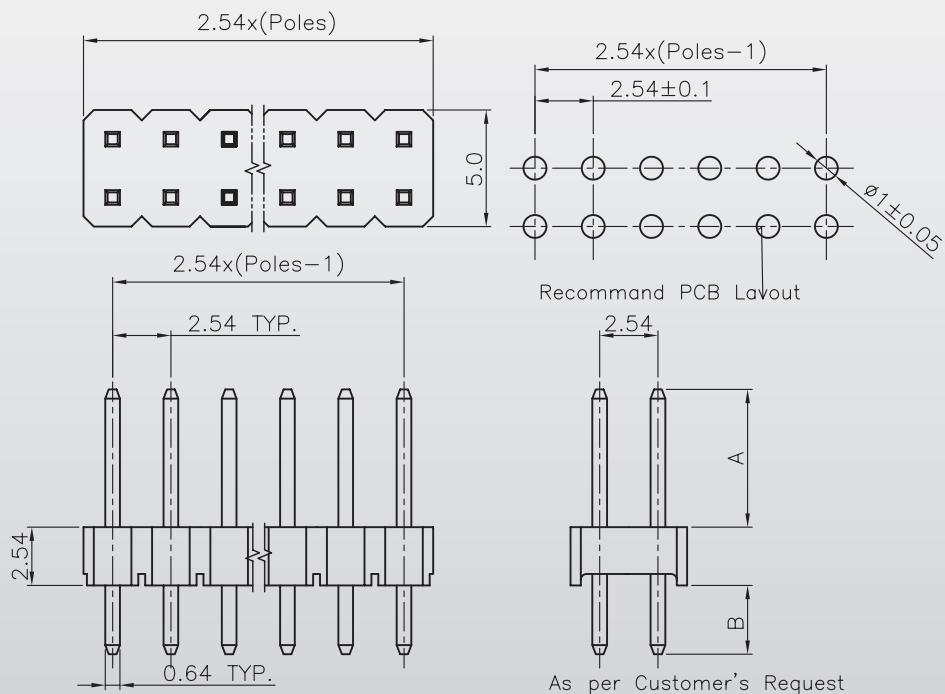


# 2.54mm (.100") PCB Pin Headers

## Straight - Single Row JS-1109-xx(A/B)

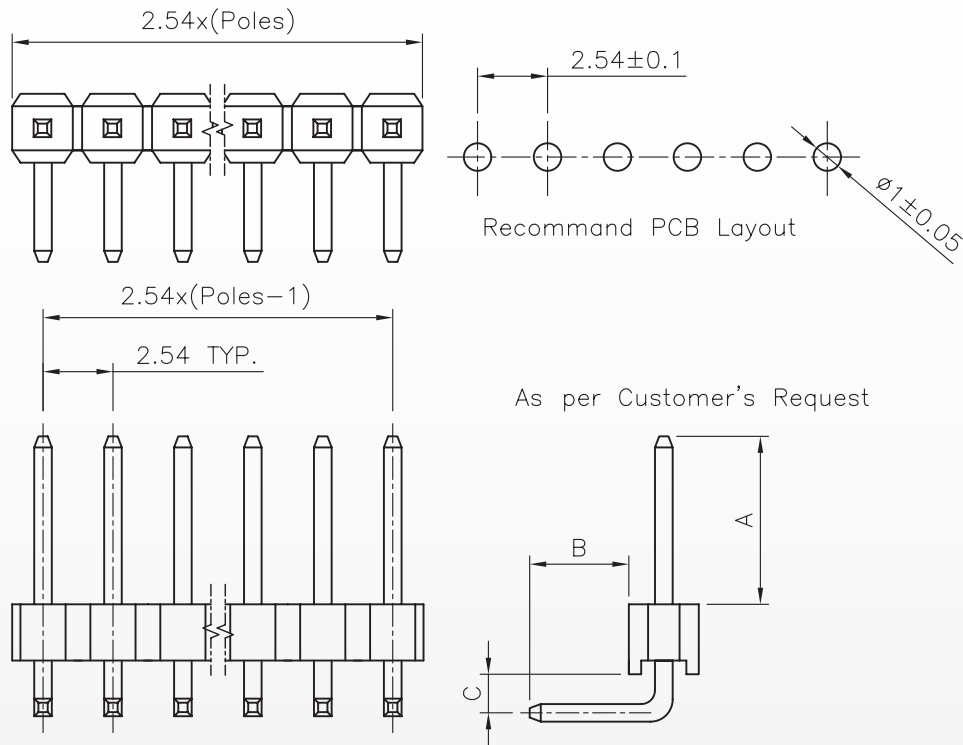


## Straight - Double Row JS-1106-xx\*2(A/B)

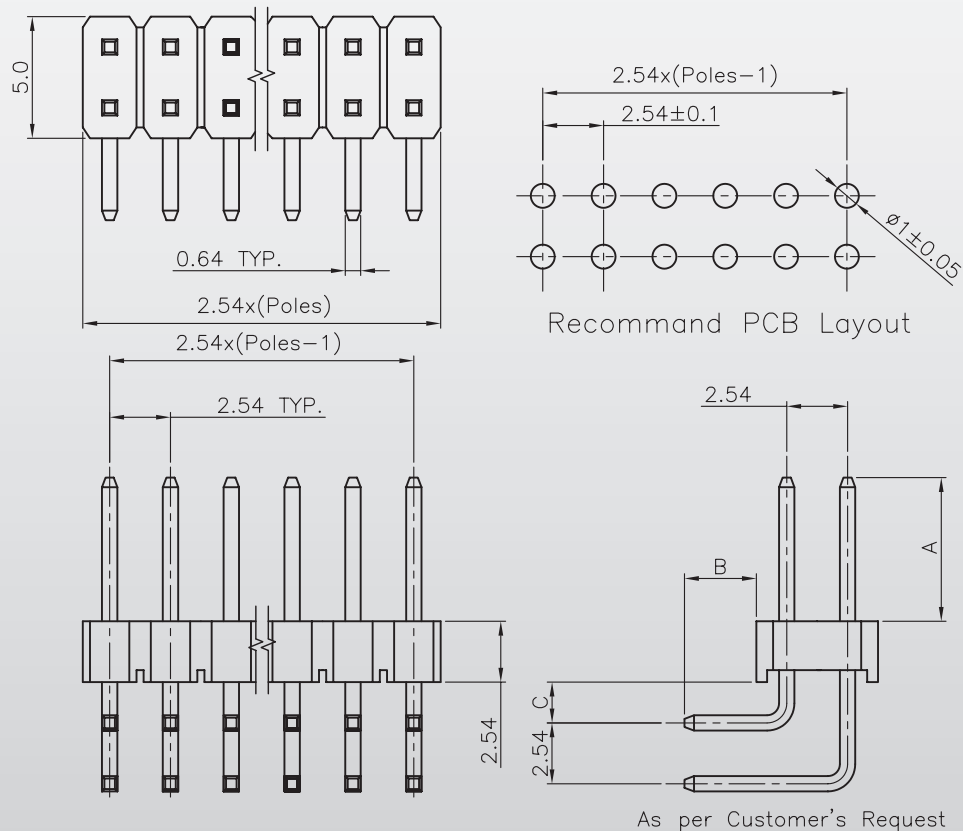


# 2.54mm (.100") PCB Pin Headers

## Right Angle - Single Row JS-1110-xx (A/B/C)



## Right Angle - Double Row JS-1107-xx\*2 (A/B/C)



# 2.54mm (.100") SIP Socket

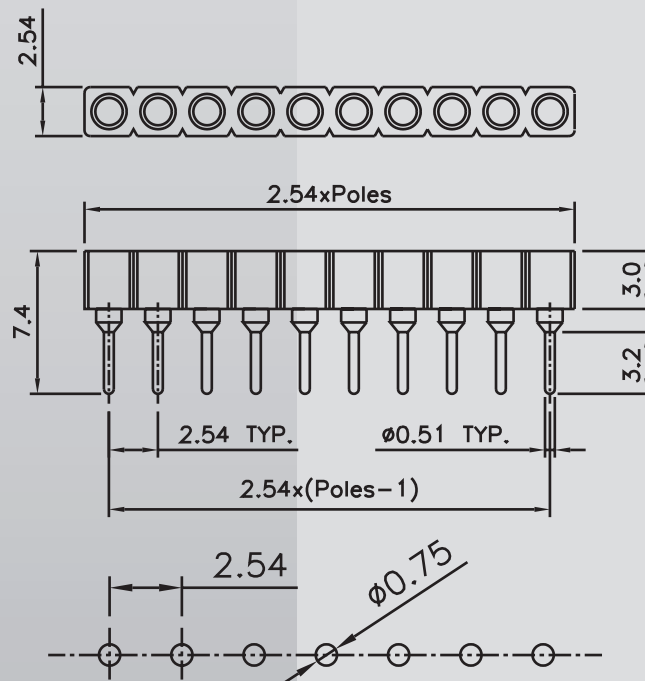
## Specifications

- Voltage Rating : 100V AC/DC
- Current Rating : 3A AC/DC
- Withstanding Voltage : 1,000V AC/minute
- Insulation Resistance : 5,000V AC/minute
- Temperature Range : -40°C to + 105°C
- Contact Resistance : 10mΩ max.

## Features:

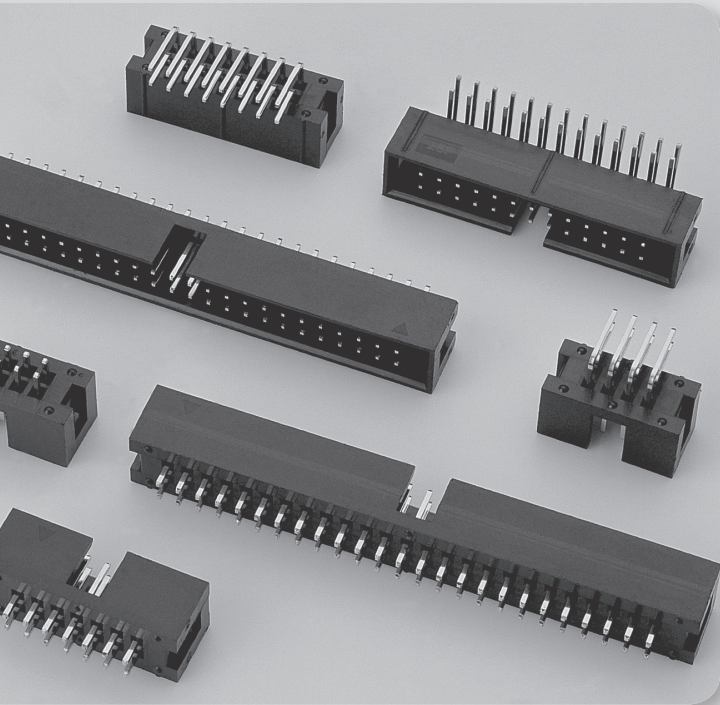
- Part No. : JS-11791SFTD-XX  
Poles : 2 - 40 (Single Row)  
Material : Beryllium : Copper(Becu), Gold Plated  
Sleeve Barrel : Brass, Tin Plated  
Base : PPS UL94V-0  
Q,ty : 1,000 pcs/Bag
- MALE SIP SOCKET  
Part No. : JS-11791SMTD-XX  
Pole : 2 - 40  
Material : Contact : Brass, Tin Plated  
Base : PPS UL94V-0  
Q'ty : 1000 pcs./Bag

## JS-11791SFTD



Recommand PCB Layout

# 2.54mm (.100") Box Headers



## Specifications

- Voltage Rating : 250V AC/ DC
- Current Rating : 3A AC/ DC
- Withstanding Voltage : 1,000V AC/minute
- Insulation Resistance : 1,000M $\Omega$  min.
- Temperature Range : -40°C to + 105°C
- Contact Resistance : 20m $\Omega$  max.

## Features:

- Part No. : JS-1200-XX (DIP Type, Straight)  
JS-1200R-XX (DIP Type, Right Angle)  
JS-1200D-XX(SMT Type, Straight)

Poles : 6 - 68

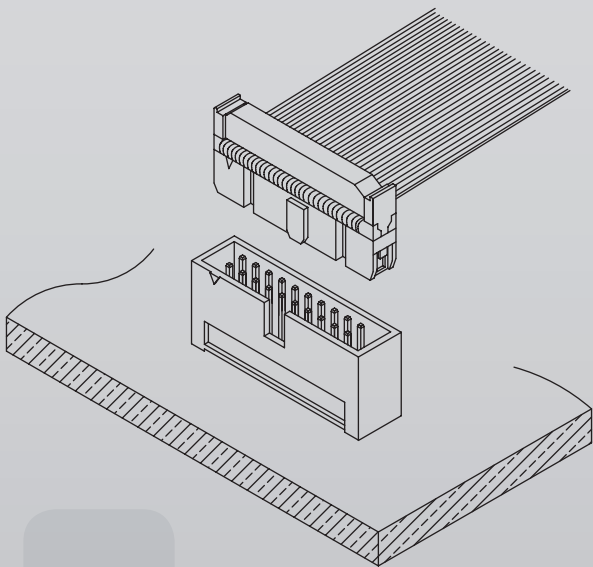
Material :

Male Contact : Brass, Gold Plated

Base : PBT UL94V-0 (JS-1200-XX , JS-1200R-XX)

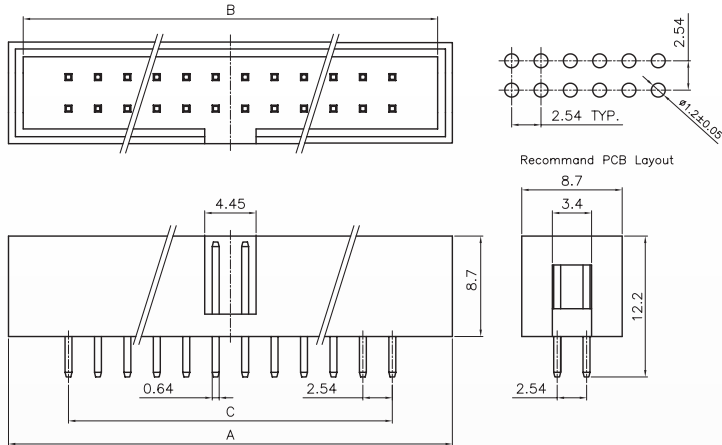
Nylon PA6T UL94V-0 (JS-1200D-XX)

Q,ty : 1,000 pcs/PVC Box

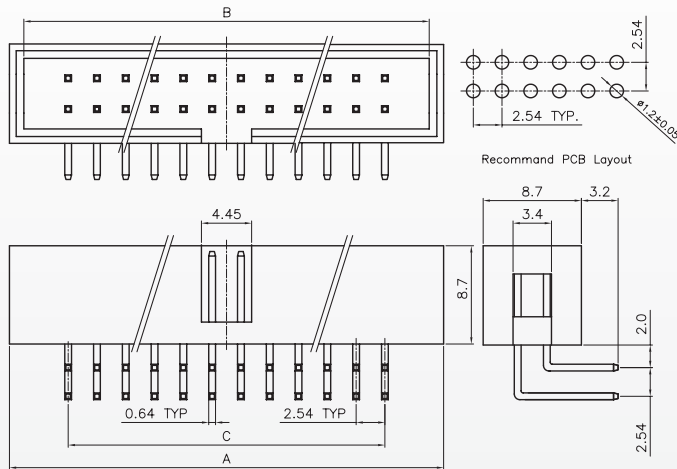


# 2.54mm (.100") Box Headers

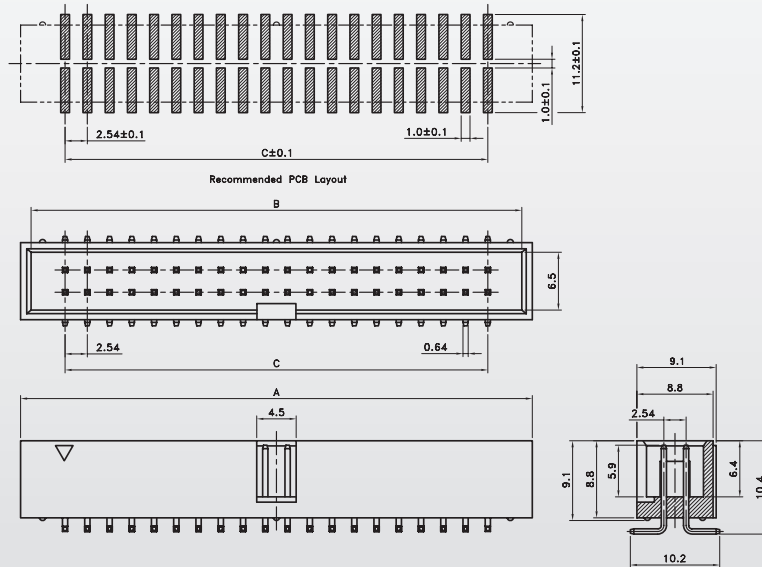
## Straight JS-1200



## Right Angle JS-1200R



## Right Angle JS-1200D



Poles	Part No.		Dimensions (mm)		
	JS-1200	JS-1200R	A	B	C
6	JS-1200-6	JS-1200R-6	15.124	12.94	5.08
8	JS-1200-8	JS-1200R-8	17.78	15.48	7.62
10	JS-1200-10	JS-1200R-10	20.32	18.02	10.16
12	JS-1200-12	JS-1200R-12	22.86	20.56	12.70
14	JS-1200-14	JS-1200R-14	25.40	23.10	15.24
16	JS-1200-16	JS-1200R-16	27.94	25.64	17.78
20	JS-1200-20	JS-1200R-20	33.02	30.72	22.86
24	JS-1200-24	JS-1200R-24	38.10	35.80	27.94

Poles	Part No.		Dimensions (mm)		
	JS-1200	JS-1200R	A	B	C
26	JS-1200-26	JS-1200R-26	40.64	38.34	30.48
30	JS-1200-30	JS-1200R-30	45.72	43.42	35.56
34	JS-1200-34	JS-1200R-34	50.80	48.50	40.64
40	JS-1200-40	JS-1200R-40	58.42	56.12	48.26
44	JS-1200-44	JS-1200R-44	63.50	61.20	53.34
50	JS-1200-50	JS-1200R-50	71.12	68.82	60.96
60	JS-1200-60	JS-1200R-60	83.82	81.52	73.66
64	JS-1200-64	JS-1200R-64	88.90	86.60	78.74



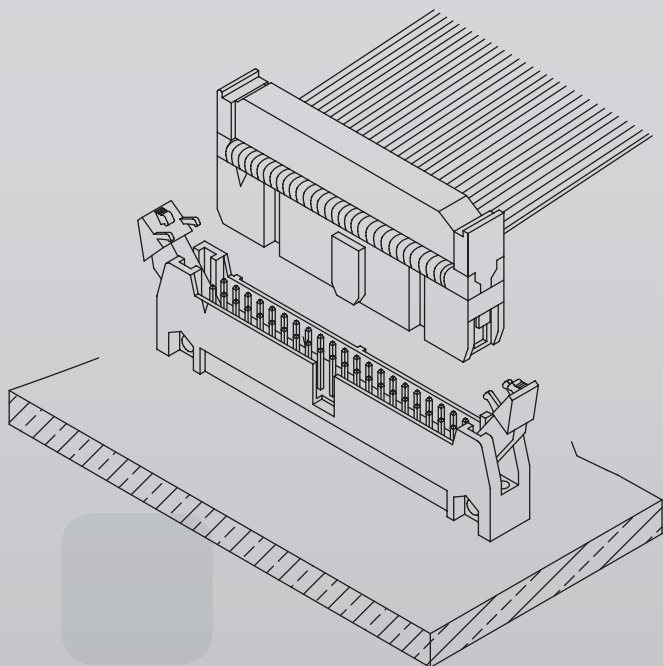
# 2.54mm (.100") Box Header With Eject Levers

## Specifications

- Voltage Rating : 250V AC/ DC
- Current Rating : 3A AC/ DC
- Withstanding Voltage : 500V AC/minute
- Insulation Resistance : 1,000M $\Omega$  min.
- Temperature Range : -25°C to + 85°C
- Contact Resistance : 20m $\Omega$  max.

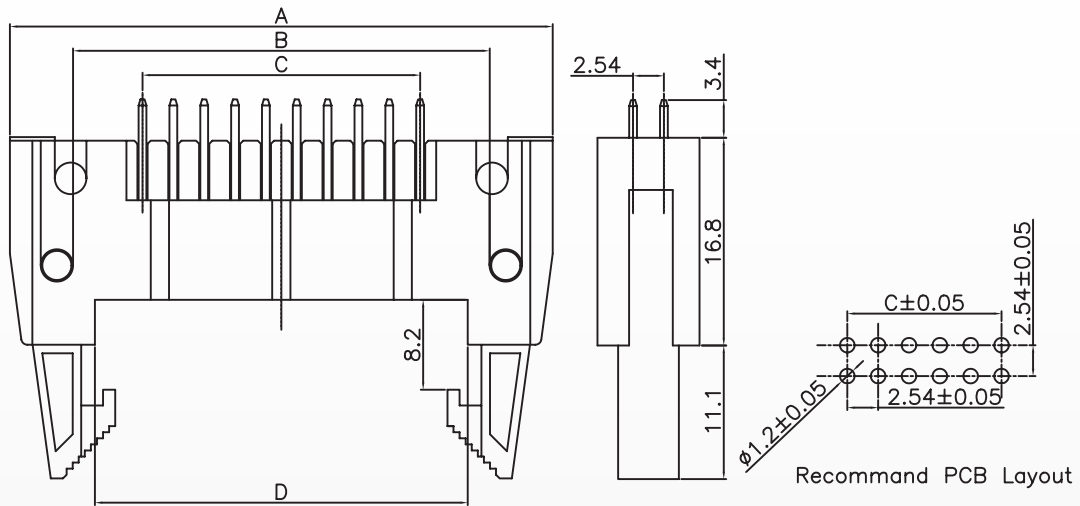
## Features:

- Part No. : JS-1200WS-XX(Straight)  
JS-1200WR-XX(Right Angle)
- Poles : 10 - 64
- Material : Contact : Brass, Gold Plated  
Base : PBT UL94V-0
- Q,ty : 1,000 pcs/PVC Box

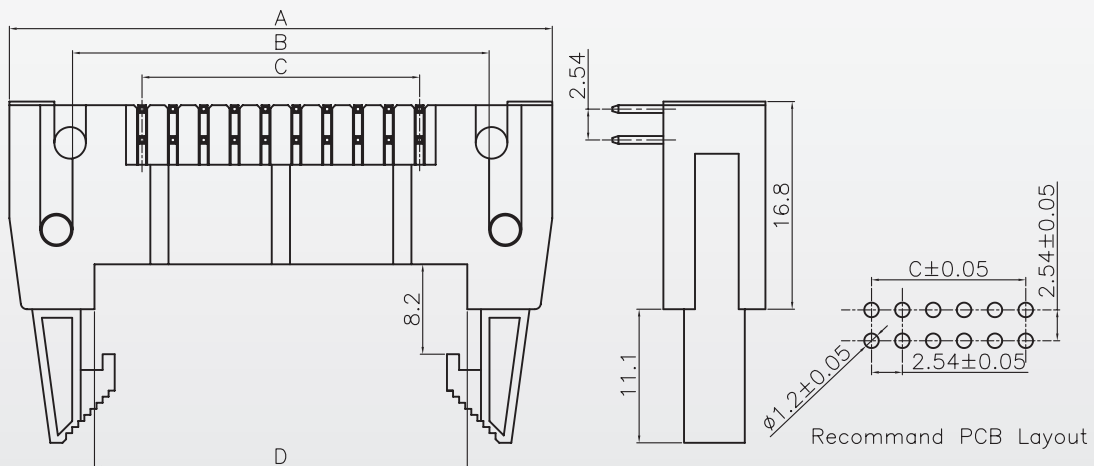


# 2.54mm (.100") Box Header With Eject Levers

## Straight JS-1200WS



## Right Angle JS-1200WR



Poles	Part No.		Dimensions (mm)			
	JS-1200WS	JS-1200WR	A	B	C	D
10	JS-1200WS-10	JS-1200WR-10	32.00	21.84	10.16	17.96
12	JS-1200WS-12	JS-1200WR-12	34.45	24.38	12.70	20.50
14	JS-1200WS-14	JS-1200WR-14	37.08	26.92	15.24	23.04
16	JS-1200WS-16	JS-1200WR-16	39.62	29.46	17.78	25.58
20	JS-1200WS-20	JS-1200WR-20	44.70	34.54	22.86	30.33
24	JS-1200WS-24	JS-1200WR-24	49.78	39.64	27.94	35.74
26	JS-1200WS-26	JS-1200WR-26	52.32	42.16	30.48	38.28
30	JS-1200WS-30	JS-1200WR-30	57.40	47.24	35.56	43.68
34	JS-1200WS-34	JS-1200WR-34	62.48	52.32	40.64	48.44
40	JS-1200WS-40	JS-1200WR-40	70.10	59.94	48.26	56.06
50	JS-1200WS-50	JS-1200WR-50	82.80	72.64	60.96	68.76
60	JS-1200WS-60	JS-1200WR-60	95.80	85.34	73.66	82.00
64	JS-1200WS-64	JS-1200WR-64	100.90	90.42	78.74	87.10

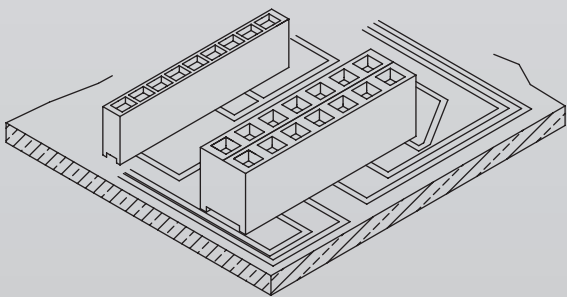
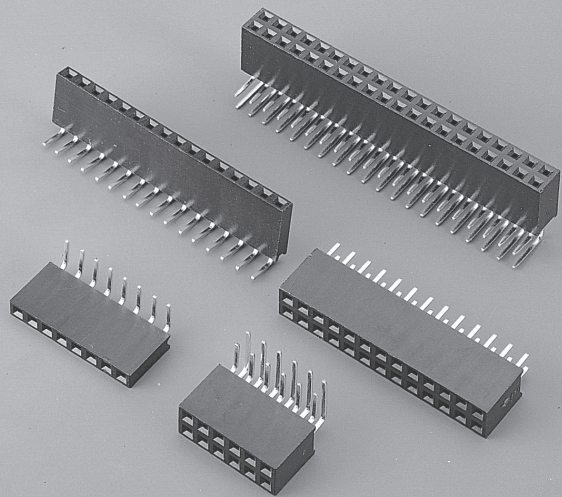
# 2.54mm (.100") Female Header

## Specifications

- Current Rating : 3A AC/ DC
- Withstanding Voltage : 500V AC/minute
- Insulation Resistance : 5,000M $\Omega$  min.
- Temperature Range : -40°C to + 105°C
- Contact Resistance : 20m $\Omega$  max.

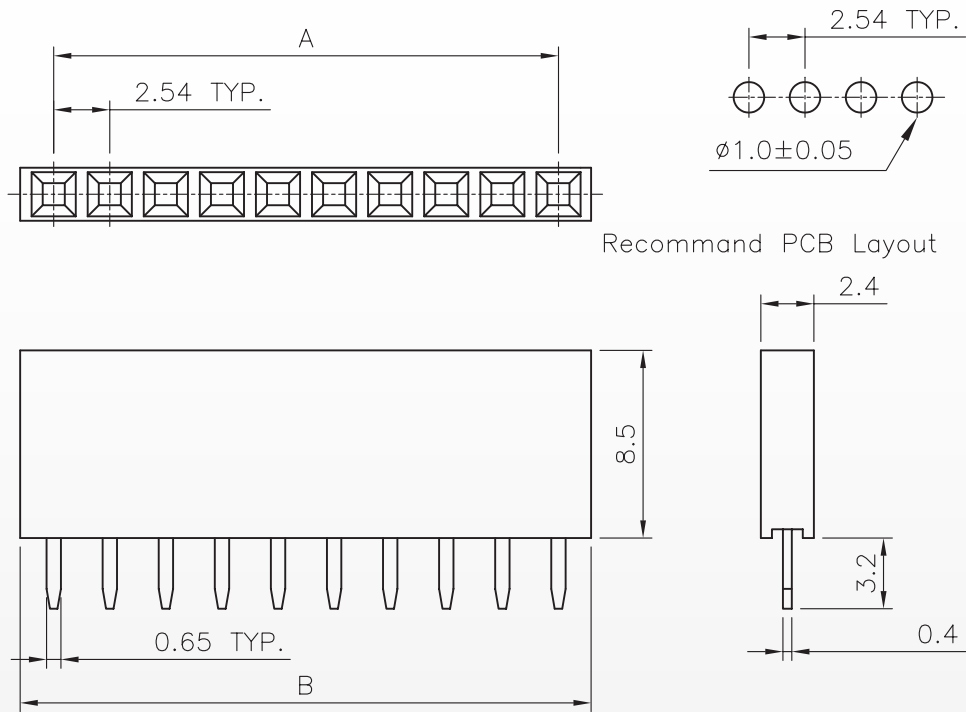
## Features:

- Part No. : JS-1165SD1G (Straight ,Single Row)  
JS-1165RD1G (Right Angle, Single Row)  
JS-1166SD1G (Straight, Dual Row)  
JS-1166RD1G (Right Angle, Dual Row)
- Poles : 2-40 (Single Row), 4-80 (Dual Row)
- Material : Contact : Brass, Gold Plated  
Base : PBT UL94V-0
- Q,ty : 1,000 pcs/PVC Box

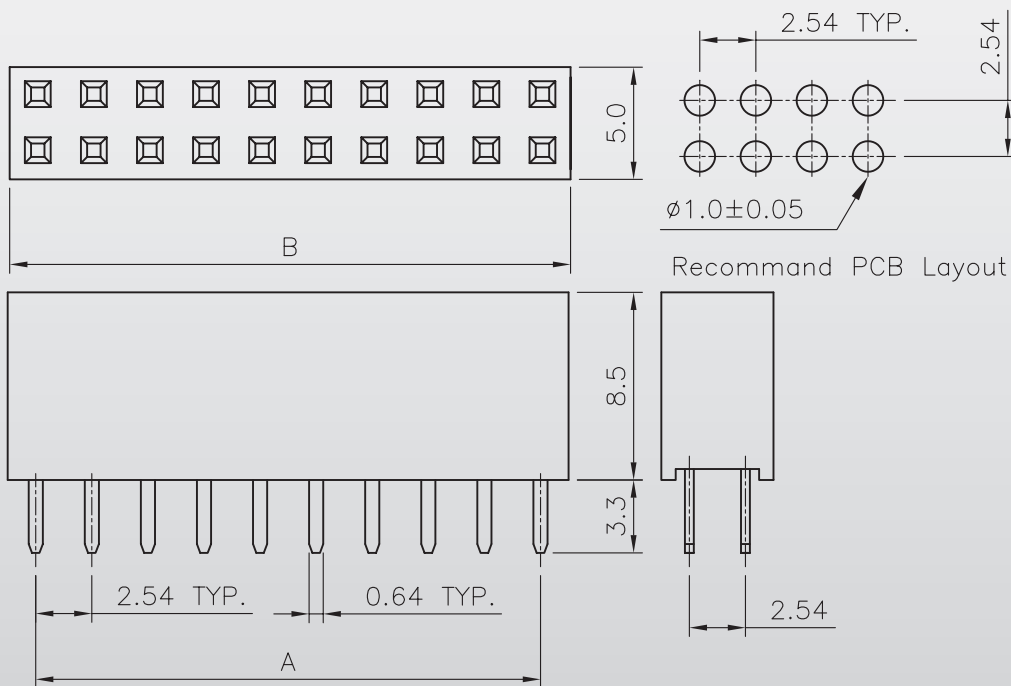


# 2.54mm (.100") Female Header

## **Straight - Single Row** **JS-1165SD1G**

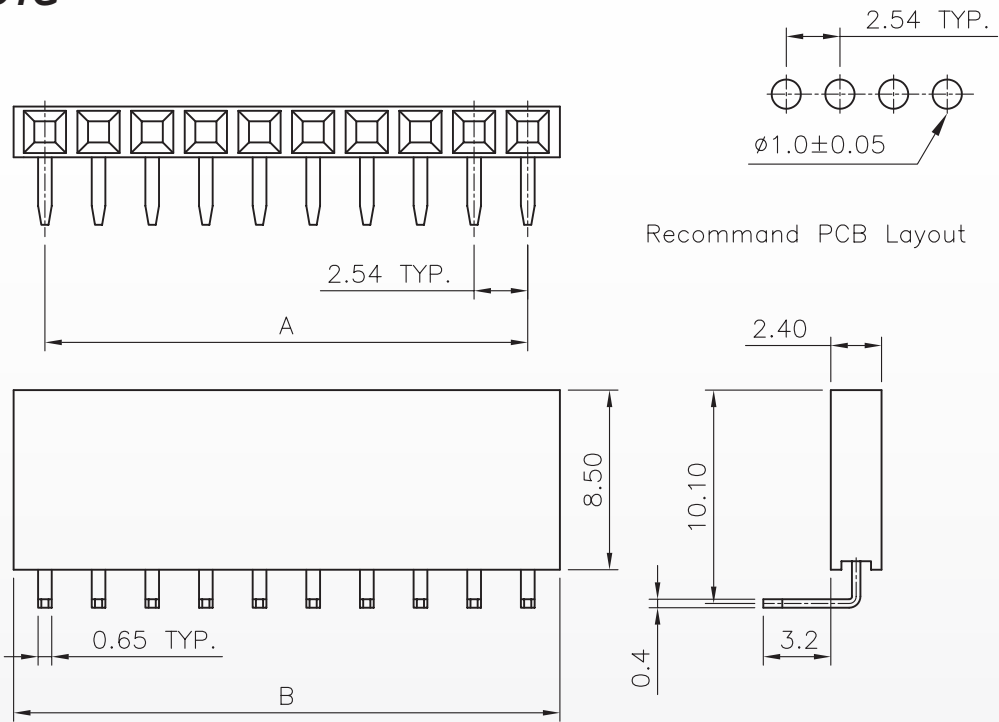


## **Straight - Double Row** **JS-1166SD1G**

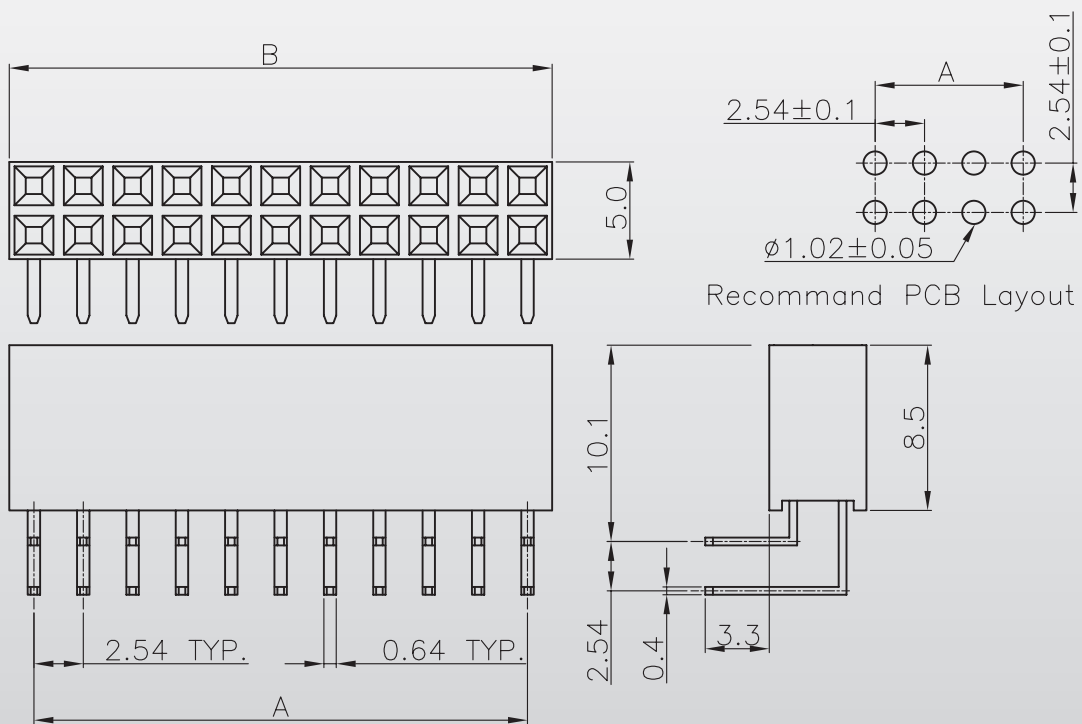


# 2.54mm (.100") Female Header

## Right Angle - Single Row JS-1165RD1G



## Right Angle - Double Row JS-1166RD1G





# 2.54mm (.100") Female Header

Part No.				Dimensions (mm)	
JS-1165SD1G	JS-1165RD1G	JS-1166SD1G	JS-1166RD1G	A	B
JS-1165SD1G-02	JS-1165RD1G-02	JS-1166SD1G-04	JS-1166RD1G-04	2.54	5.58
JS-1165SD1G-03	JS-1165RD1G-03	JS-1166SD1G-06	JS-1166RD1G-06	5.08	8.12
JS-1165SD1G-04	JS-1165RD1G-04	JS-1166SD1G-08	JS-1166RD1G-08	7.62	10.66
JS-1165SD1G-05	JS-1165RD1G-05	JS-1166SD1G-10	JS-1166RD1G-10	10.16	13.20
JS-1165SD1G-06	JS-1165RD1G-06	JS-1166SD1G-12	JS-1166RD1G-12	12.70	15.74
JS-1165SD1G-07	JS-1165RD1G-07	JS-1166SD1G-14	JS-1166RD1G-14	15.24	18.28
JS-1165SD1G-08	JS-1165RD1G-08	JS-1166SD1G-16	JS-1166RD1G-16	17.78	20.82
JS-1165SD1G-09	JS-1165RD1G-09	JS-1166SD1G-18	JS-1166RD1G-18	20.32	23.36
JS-1165SD1G-10	JS-1165RD1G-10	JS-1166SD1G-20	JS-1166RD1G-20	22.86	25.90
JS-1165SD1G-11	JS-1165RD1G-11	JS-1166SD1G-22	JS-1166RD1G-22	25.40	28.44
JS-1165SD1G-12	JS-1165RD1G-12	JS-1166SD1G-24	JS-1166RD1G-24	27.94	30.98
JS-1165SD1G-13	JS-1165RD1G-13	JS-1166SD1G-26	JS-1166RD1G-26	30.48	33.52
JS-1165SD1G-14	JS-1165RD1G-14	JS-1166SD1G-28	JS-1166RD1G-28	33.02	36.06
JS-1165SD1G-15	JS-1165RD1G-15	JS-1166SD1G-30	JS-1166RD1G-30	35.56	38.60
JS-1165SD1G-16	JS-1165RD1G-16	JS-1166SD1G-32	JS-1166RD1G-32	38.10	41.14
JS-1165SD1G-17	JS-1165RD1G-17	JS-1166SD1G-34	JS-1166RD1G-34	40.64	43.68
JS-1165SD1G-18	JS-1165RD1G-18	JS-1166SD1G-36	JS-1166RD1G-36	43.18	46.22
JS-1165SD1G-19	JS-1165RD1G-19	JS-1166SD1G-38	JS-1166RD1G-38	45.72	48.76
JS-1165SD1G-20	JS-1165RD1G-20	JS-1166SD1G-40	JS-1166RD1G-40	48.26	51.30
JS-1165SD1G-21	JS-1165RD1G-21	JS-1166SD1G-42	JS-1166RD1G-42	50.80	53.84
JS-1165SD1G-22	JS-1165RD1G-22	JS-1166SD1G-44	JS-1166RD1G-44	53.34	56.38
JS-1165SD1G-23	JS-1165RD1G-23	JS-1166SD1G-46	JS-1166RD1G-46	55.88	58.92
JS-1165SD1G-24	JS-1165RD1G-24	JS-1166SD1G-48	JS-1166RD1G-48	58.42	61.46
JS-1165SD1G-25	JS-1165RD1G-25	JS-1166SD1G-50	JS-1166RD1G-50	60.96	64.00
JS-1165SD1G-26	JS-1165RD1G-26	JS-1166SD1G-52	JS-1166RD1G-52	63.50	66.54
JS-1165SD1G-27	JS-1165RD1G-27	JS-1166SD1G-54	JS-1166RD1G-54	66.04	69.08
JS-1165SD1G-28	JS-1165RD1G-28	JS-1166SD1G-56	JS-1166RD1G-56	68.58	71.62
JS-1165SD1G-29	JS-1165RD1G-29	JS-1166SD1G-58	JS-1166RD1G-58	71.12	74.16
JS-1165SD1G-30	JS-1165RD1G-30	JS-1166SD1G-60	JS-1166RD1G-60	73.66	76.70
JS-1165SD1G-31	JS-1165RD1G-31	JS-1166SD1G-62	JS-1166RD1G-62	76.20	79.24
JS-1165SD1G-32	JS-1165RD1G-32	JS-1166SD1G-64	JS-1166RD1G-64	78.74	81.78
JS-1165SD1G-33	JS-1165RD1G-33	JS-1166SD1G-66	JS-1166RD1G-66	81.28	84.32
JS-1165SD1G-34	JS-1165RD1G-34	JS-1166SD1G-68	JS-1166RD1G-68	83.82	86.86
JS-1165SD1G-35	JS-1165RD1G-35	JS-1166SD1G-70	JS-1166RD1G-70	86.36	89.40
JS-1165SD1G-36	JS-1165RD1G-36	JS-1166SD1G-72	JS-1166RD1G-72	88.90	91.94
JS-1165SD1G-37	JS-1165RD1G-37	JS-1166SD1G-74	JS-1166RD1G-74	91.44	94.48
JS-1165SD1G-38	JS-1165RD1G-38	JS-1166SD1G-76	JS-1166RD1G-76	93.98	97.02
JS-1165SD1G-39	JS-1165RD1G-39	JS-1166SD1G-78	JS-1166RD1G-78	96.52	99.56
JS-1165SD1G-40	JS-1165RD1G-40	JS-1166SD1G-80	JS-1166RD1G-80	99.06	102.10

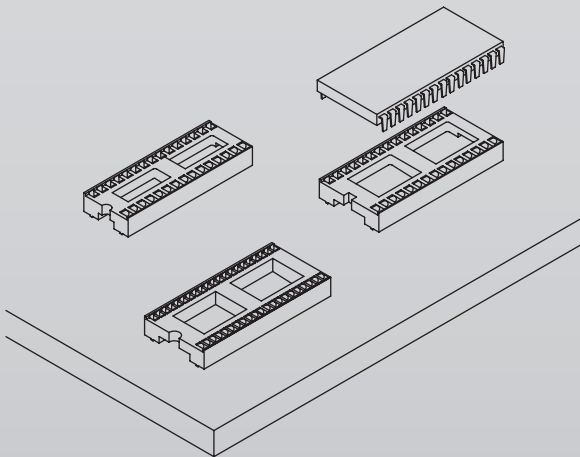
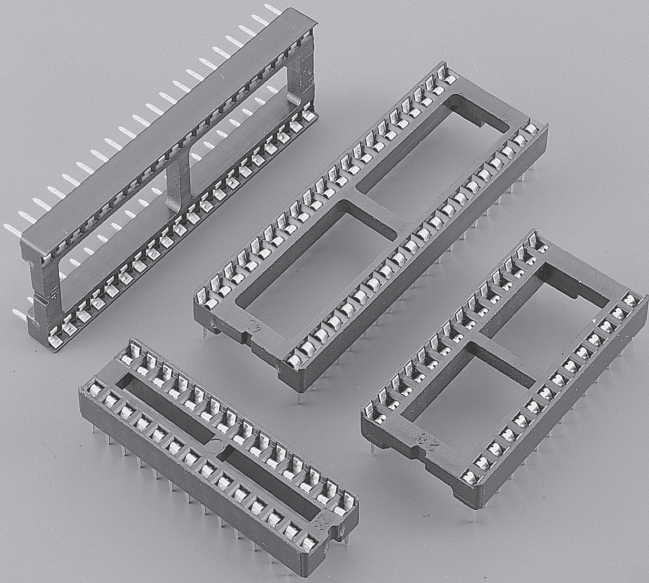
# 2.54mm (.100") IC Socket

## Specifications

- Voltage Rating : 250V AC/DC
- Current Rating : 1A AC/ DC
- Withstanding Voltage : 1,000V AC/minute
- Insulation Resistance : 1,000MΩ min.
- Temperature Range : -40°C to + 105°C
- Contact Resistance : 20mΩ max.

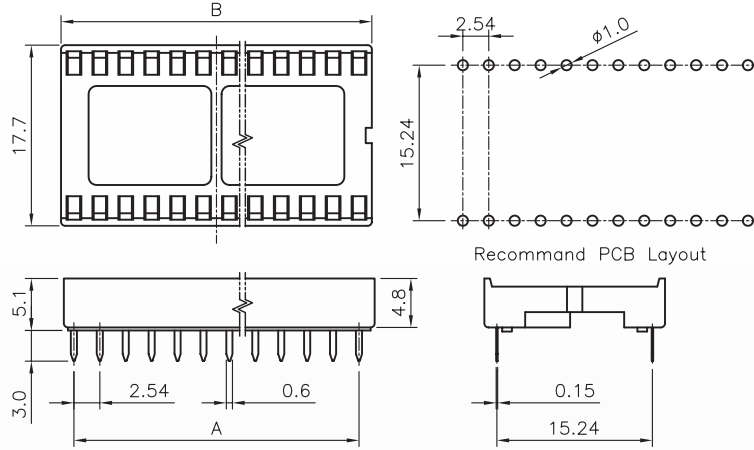
## Features:

- Part No. : JS-1179F  
JS-1179FN  
JS-1179F-xxN
- Poles : 6 - 48
- Material : Contact : Phos. Bronze, Tin Plated  
Base : PBT UL94V-0
- Q,ty : 1,000 pcs/Tube Pack

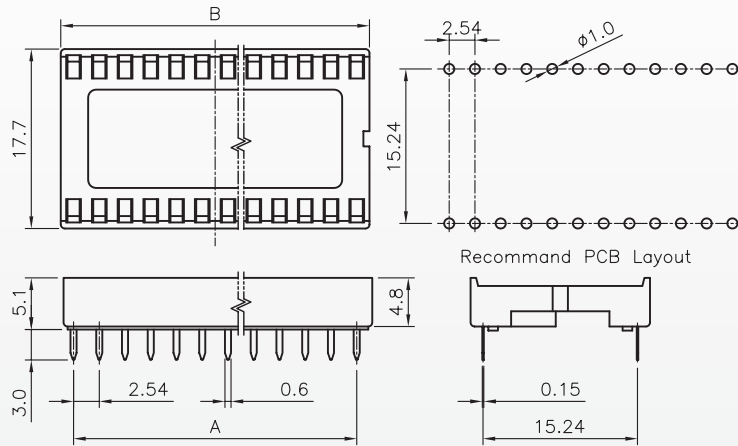


# 2.54mm (.100") IC Socket

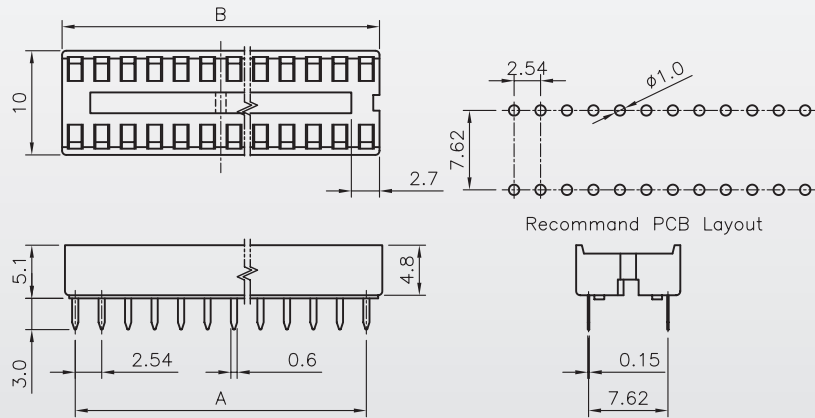
## JS-1179F



## JS-1179F-xxN



## JS-1179FN



Poles	Part No.		Dimensions (mm)	
	JS-1179F-xx	JS-1179F-xxN	A	B
24	JS-1179F-24	JS-1179F-24N	27.94	30.48
28	JS-1179F-28	JS-1179F-28N	33.02	35.66
32	JS-1179F-32	JS-1179F-32N	38.10	40.64
40	JS-1179F-40	JS-1179F-40N	48.26	50.80
42	JS-1179F-42	JS-1179F-42N	50.42	53.34
48	JS-1179F-48	JS-1179F-48N	58.42	60.96

Poles	Part No.	Dimensions (mm)		With or Without Bridge
	JS-1179FN	A	B	
6	JS-1179FN-06	5.08	7.62	Without Bridge
8	JS-1179FN-08	7.62	10.16	Without Bridge
14	JS-1179FN-14	15.24	17.78	Without Bridge
16	JS-1179FN-16	17.78	20.32	Without Bridge
18	JS-1179FN-18	20.32	22.86	Without Bridge
20	JS-1179FN-20	22.86	25.40	Without Bridge
22	JS-1179FN-22	25.40	27.94	Without Bridge
24	JS-1179FN-24	27.94	30.48	With Bridge
28	JS-1179FN-28	33.02	35.66	With Bridge
32	JS-1179FN-32	38.10	40.64	With Bridge

# 2.54mm (.100") Screw Machine Pin IC Socket

## Specifications

- Voltage Rating : 100V AC/DC
- Current Rating : 1A AC/ DC
- Withstanding Voltage : 1,000V AC/minute
- Insulation Resistance : 5,000M $\Omega$  min.
- Temperature Range : -40°C to + 105°C
- Contact Resistance : 15m $\Omega$  max.

## Features:

- Part No. : JS-1179RFN-XX(With Middle Bar , Narrow Base Type)  
JS-1179RF-XX(With Middle Bar , Wide Base Type)  
JS-1179RF-XXN(Whitout Middle Bar , Narrow Base Type)

Poles : JS-1179RFN-XX (22-64)

JS-1179RF-XX (18-28)

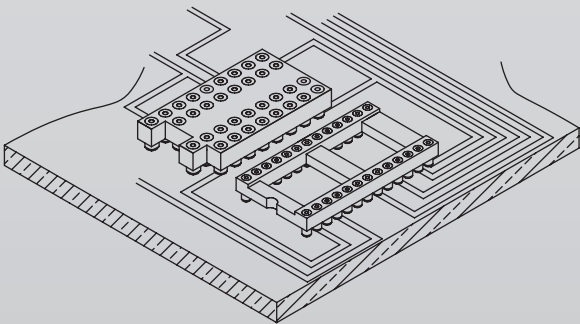
JS-1179RF-XXN (6-16)

Material : Beryllium : Copper(Becu), Gold Plated

Sleeve Barrel : Copper Alloy , Tin Plated

Base : PBT UL94V-0

Q,ty : 1,000 pcs./Bag

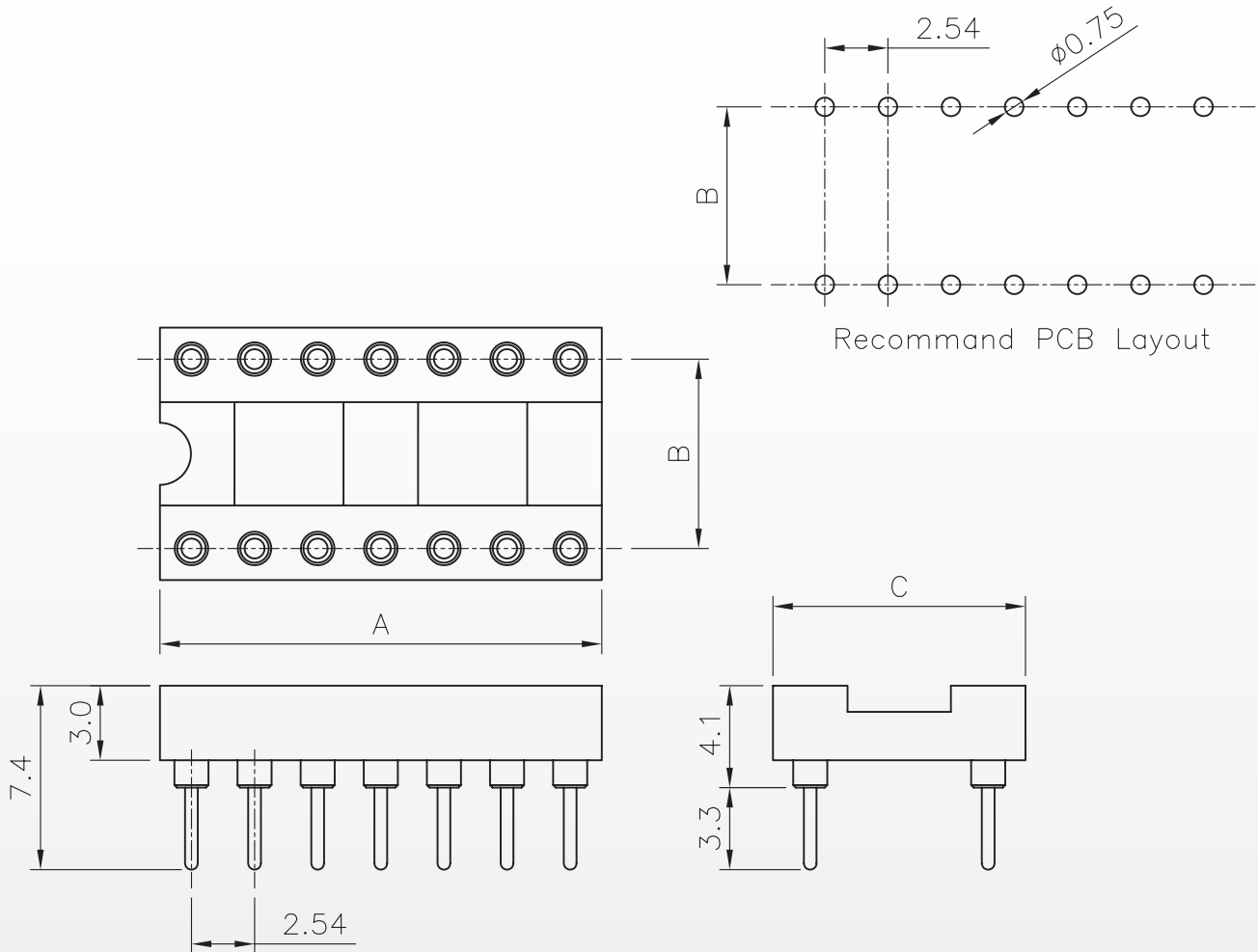




# 2.54mm (.100") Screw Machine Pin IC Socket

**JS-1179RF**

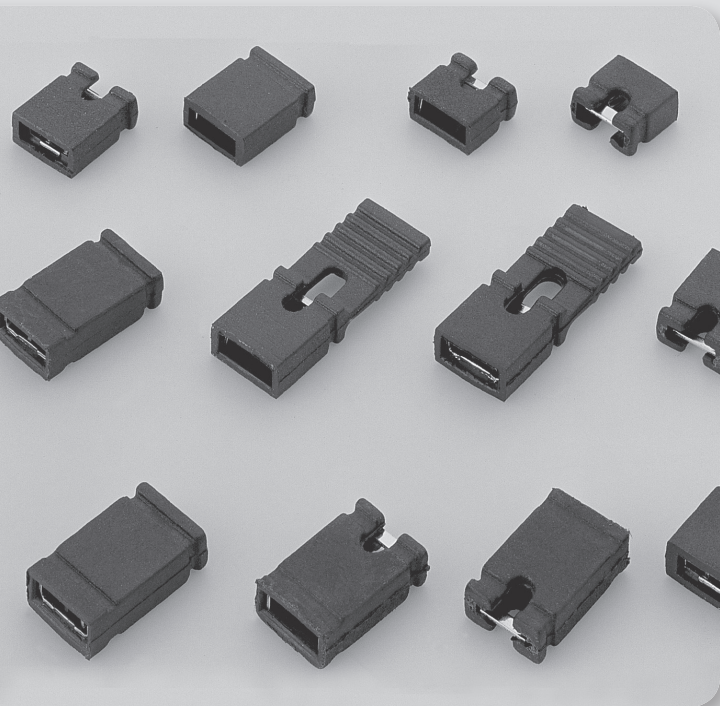
**JS-1179RFN**



Poles	Part No.		Dimensions (mm)		
	JS-1179RF	JS-1179RFN	A	B	C
6	-----	JS-1179RFN-06	7.62	7.62	10.16
8	-----	JS-1179RFN-08	10.16	7.62	10.16
14	-----	JS-1179RFN-14	17.78	7.62	10.16
16	-----	JS-1179RFN16	20.32	7.62	10.16
18	-----	JS-1179RFN-18	22.86	7.62	10.16
20	-----	JS-1179RFN-20	25.40	7.62	10.16
22	-----	JS-1179RFN22	27.94	7.62	10.16
24	-----	JS-1179RFN-24	30.48	7.62	10.16
28	-----	JS-1179RFN-28	35.56	7.62	10.16
24	JS-1179RF-24	-----	30.48	15.24	17.78
28	JS-1179RF-28	-----	35.56	15.24	17.78
32	JS-1179RF-32	-----	40.64	15.24	17.78
40	JS-1179RF-40	-----	50.80	15.24	17.78
42	JS-1179RF-42	-----	53.34	15.24	17.78
48	JS-1179RF-48	-----	60.96	15.24	17.78



# 2.54mm (.100") Mini-Jumper

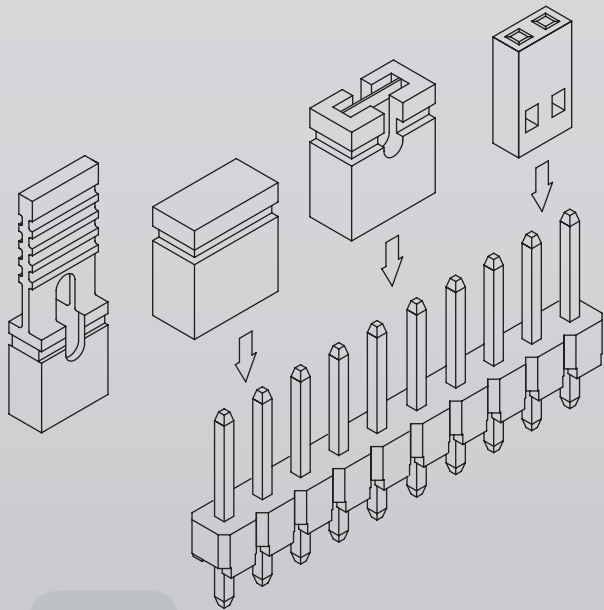


## Specifications

- Voltage Rating : 250V AC/DC
- Current Rating : 3A AC/DC
- Withstanding Voltage : 500V AC/minute
- Insulation Resistance : 1,000M $\Omega$  min.
- Temperature Range : -40°C to + 105°C
- Contact Resistance : 20m $\Omega$  max.

## Features:

- Part No. : JS-M254045, JS-M254060  
JS-M254080, JS-M254135
- Material : Contact : Brass or Phos. Bronze  
Base : PBT UL94V-0
- Finish : Gold Plated
- Q,ty : 2,000 pcs/Bag



# 2.54mm (.100") Mini-Jumper

Type	JS-M254045-PO	Type	JS-M254060-BC \ JS-M254060-PC
Open		Close	
	JS-M254060-BO \ JS-M254060-PO		JS-M254080-PO
Open		Open	
	JS-M254080-PC		JS-M254135-BO \ JS-M254135-PO
Close		Open	

E

# 8.08mm (.318") D-Sub Connectors, R/A Type

## Specifications

- Current Rating : 5A AC/DC
- Withstanding Voltage : 1,000V AC/minute
- Insulation Resistance : 5,000M $\Omega$  min.
- Temperature Range : -25°C to + 85°C
- Contact Resistance : 30m $\Omega$  max.

## Features:

- Part No. : JS-DB32009-120  
JS-DB32009-130

Poles : 9

Material : Contact : Brass, Gold Flash on Contact  
Area Tin Plated on Solderails Nickel  
Underplated

Shell : Steel, Nickel Plated

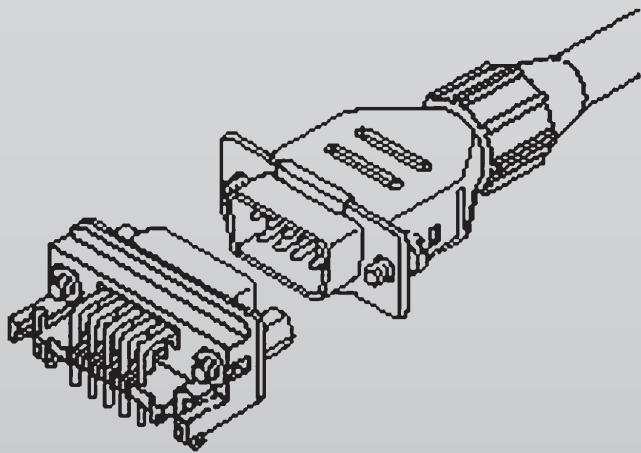
Boardlock : Brass, Brass, Tin Plated

Inserted Rivet : Brass, Nickel Plated

HEX-Screw : Brass, Tin Plated

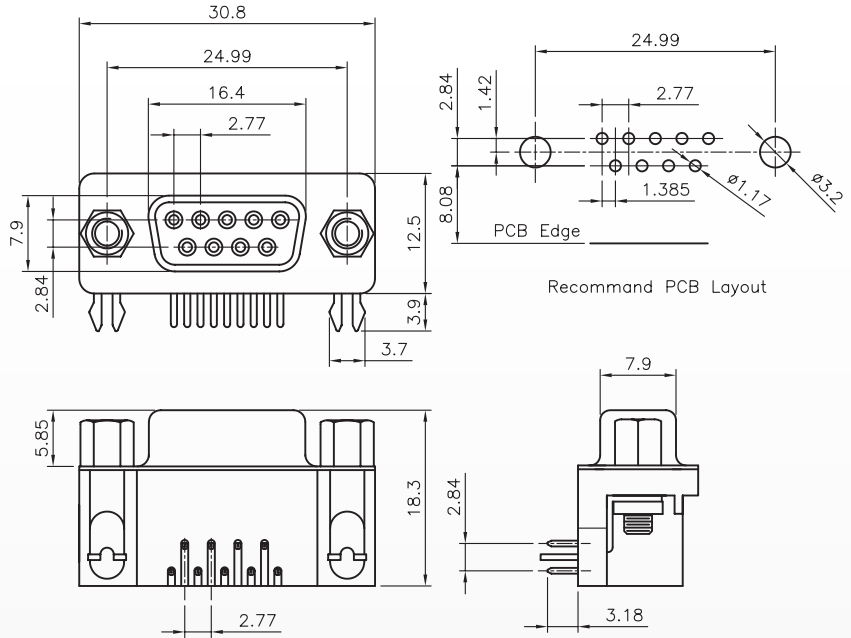
Base : PBT UL94V-0

Q,ty : 1,000 pcs/Bag

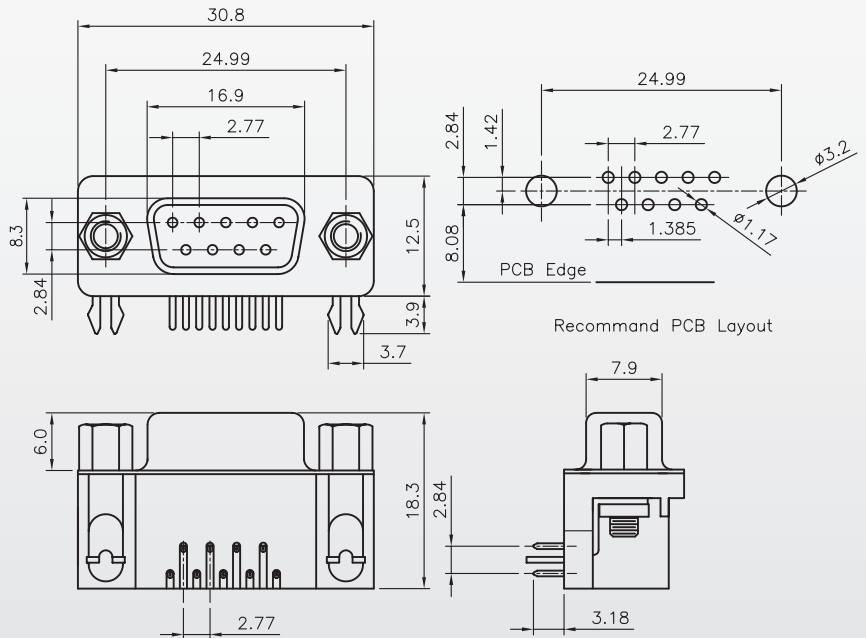


# 8.08mm (.318") D-Sub Connectors, R/A Type

## Female Type JS-DB32009-120



## Male Type JS-DB32009-130



### ORDER INFORMATION:

JS-DB32009-120 X X X

JS-DB32009-130 X X X

Insulator Color :

0-Black

3-Blue PC99

Screw :

0-4.8mm

1-6.0mm

### Option:

0-With Rivet, / Without Screw Assembled

1-With Rivet, / Without Screw Unassembled

2-With Rivet, / Without Screw

3-Without Rivet, / Screw Assembled



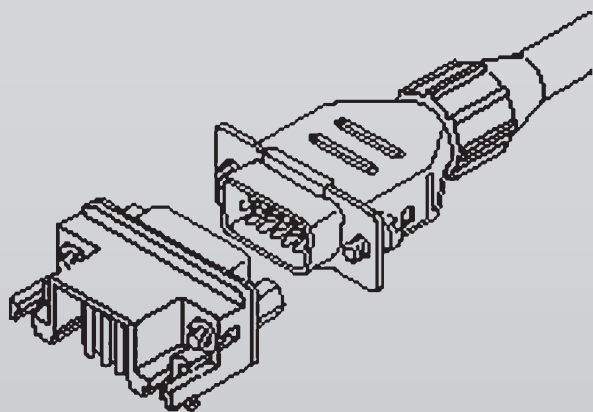
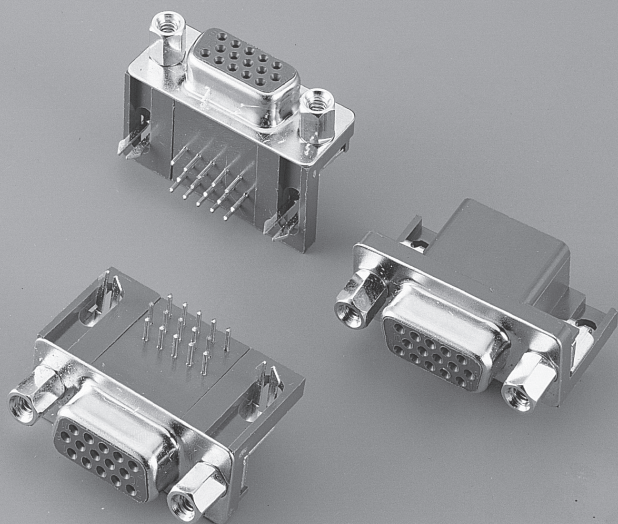
# 8.89mm (.350") D-Sub Female Connectors, R/A Type

## Specifications

- Current Rating : 5A AC/DC
- Withstanding Voltage : 1,000V AC/minute
- Insulation Resistance : 5,000MΩ min.
- Temperature Range : -25°C to + 85°C
- Contact Resistance : 30mΩ max.

## Features:

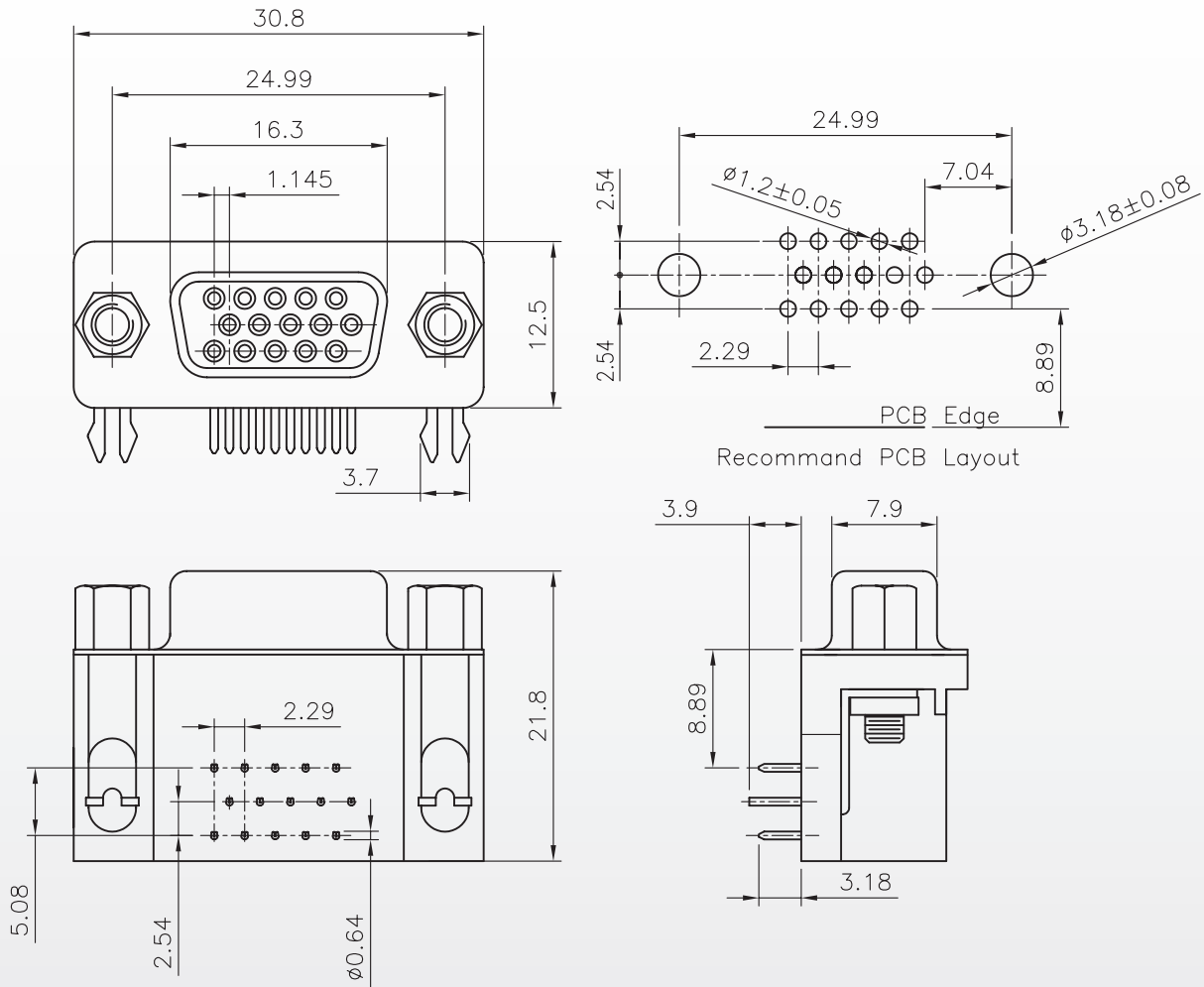
- Part No. : JS-DB32115-100
  - Poles : 15
  - Material : Contact : Brass, Gold Flash on Contact  
Area Tin Plated on Solderails Nickel  
Underplated
  - Shell : Steel, Nickel Plated
  - Boardlock : Brass, Brass, Tin Plated
  - Inserted Rivet : Brass, Nickel Plated
  - HEX-Screw : Brass, Tin Plated
  - Base : PBT UL94V-0
- Q,ty : 1,000 pcs/Bag





# 8.89mm (.350") D-Sub Female Connectors, R/A Type

## Female Type JS-DB32115-100



### ORDER INFORMATION: JS-DB32115-100 X X X

Insulator Color: ←

- 0-Black
- 1-Blue
- 5-PC99 661C

Screw/Solder Tail: ←

- 0-4.8mm Screw / 3.20mm
- 1-6.0mm Screw / 3.20mm
- 3-4.8mm Screw / 2.66mm
- 9-6.0mm Screw / 2.66mm

Option:

- 0-With Rivet, / Without Screw Assembled
- 1-With Rivet, / Without Screw Unassembled
- 2-With Rivet, / Without Screw
- 3-Without Rivet, / Screw Assembled

# IEEE 1394 Receptacle Connectors

## Specifications

- Current Rating : 1.5A AC/DC
- Withstanding Voltage : 40V AC/minute
- Insulation Resistance : 100M $\Omega$  min.
- Temperature Range : -20°C to + 85°C
- Contact Resistance : 30m $\Omega$  max.

## Features:

- Part No. : JS-IE1394FDS1-06 (Straight)  
JS-IE1394FDR1-06 (Right Angle)  
JS-IE1394FDV1-06 (Up-Right)

Pole : 6

Material :

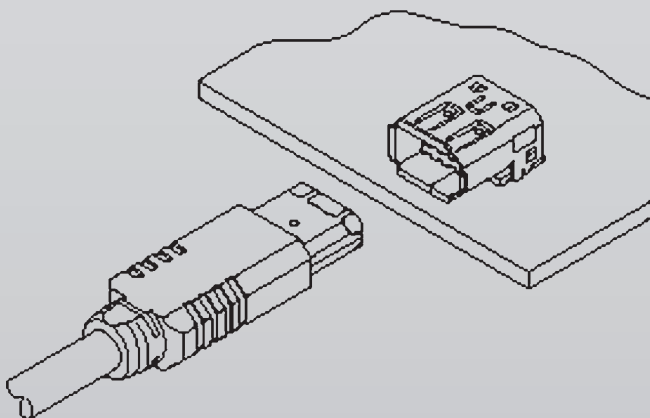
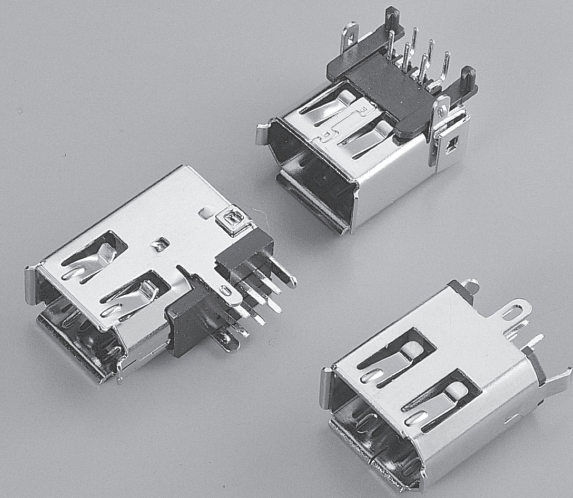
Terminal : Copper Alloy, Select Gold in Contact  
Are, Select Tin on Solder Tails, Both  
over Nickel overall

Shell : Copper Alloy, Nickel over Plating

Base : High Temperature

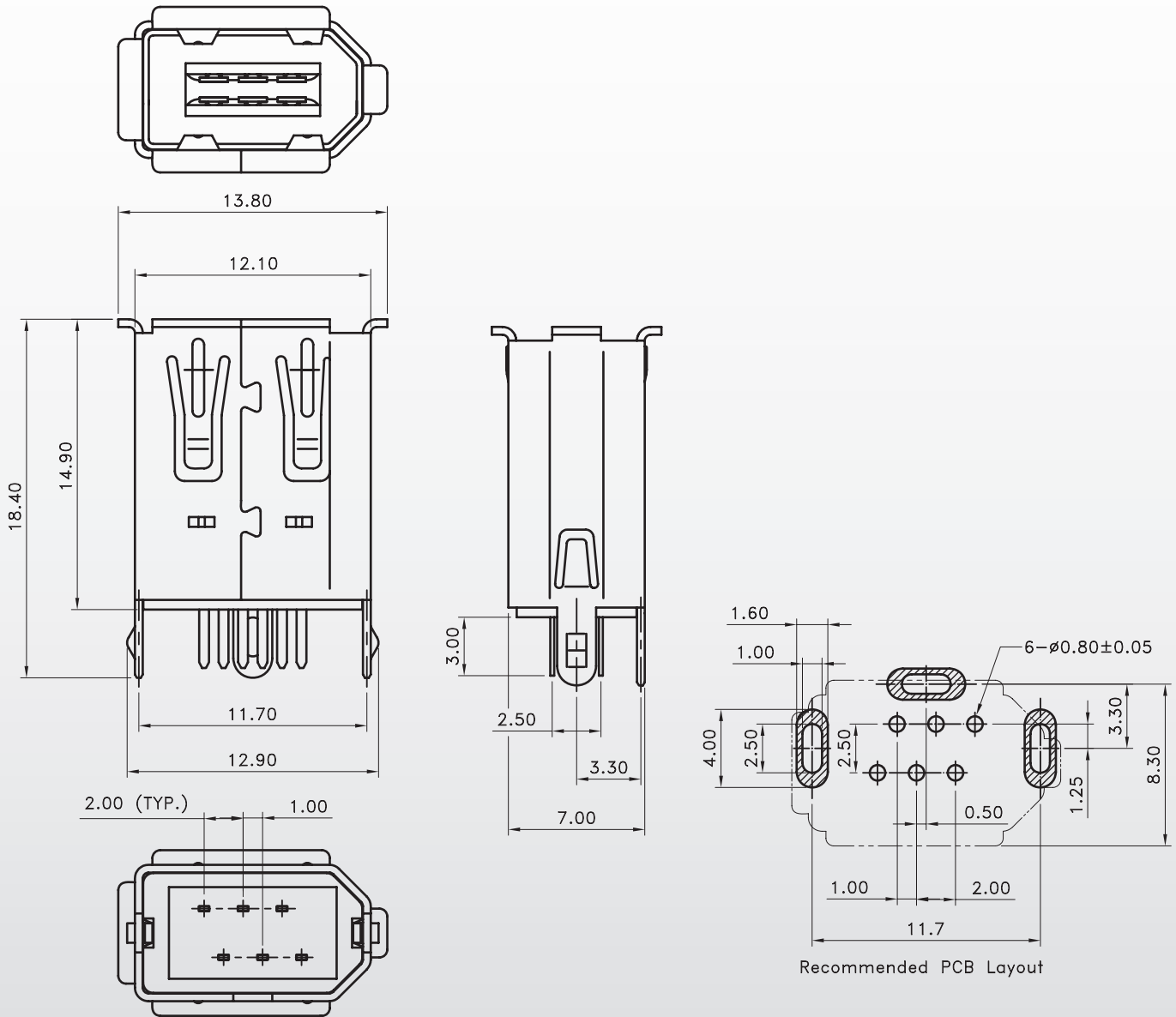
Plastic+G.F. UL94V-0

Q,ty : 100 pcs./pvc tray contain pe paper



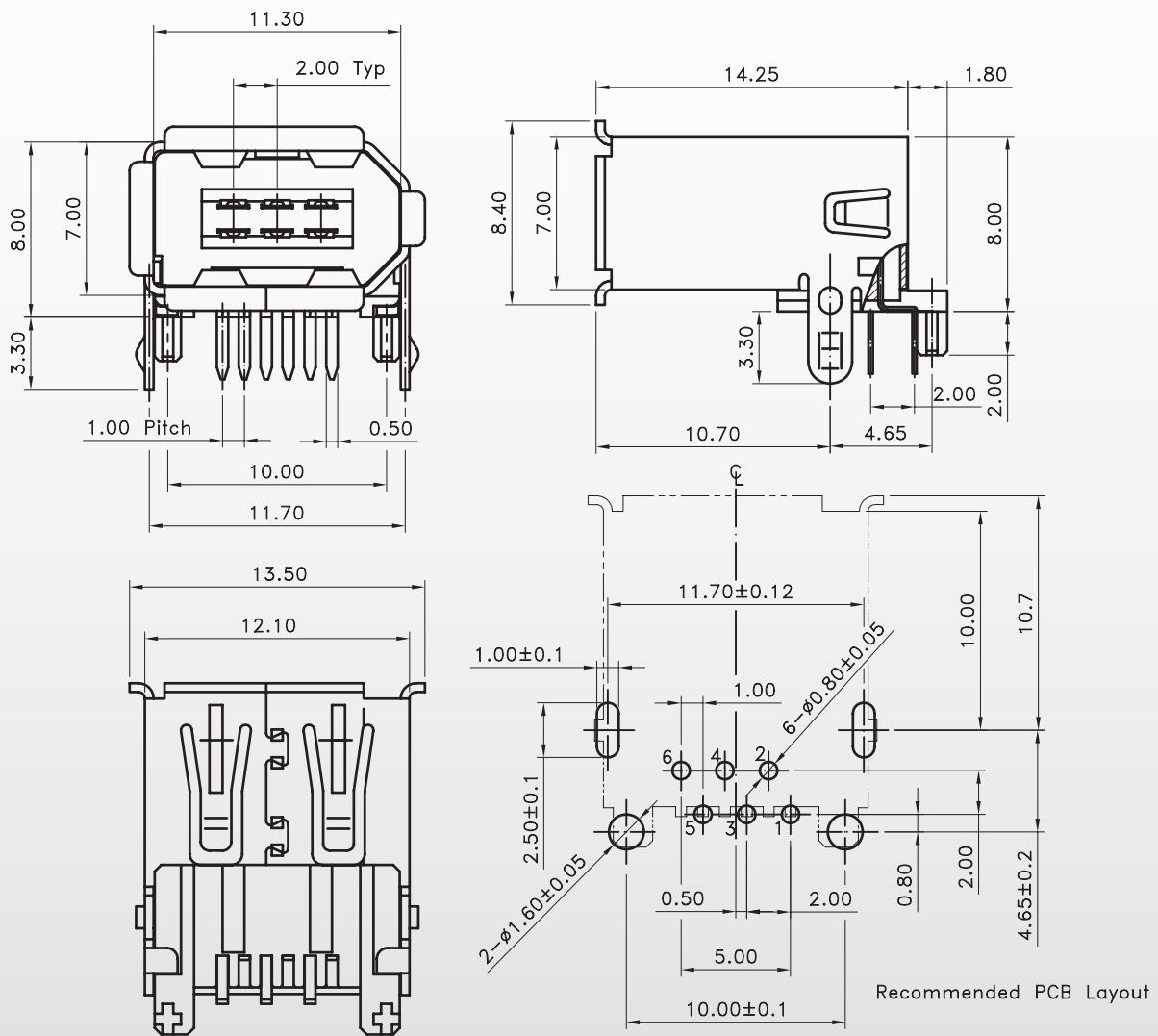
# IEEE 1394 Receptacle Connectors

## **Straight** **JS-IE1394FDS1-06**



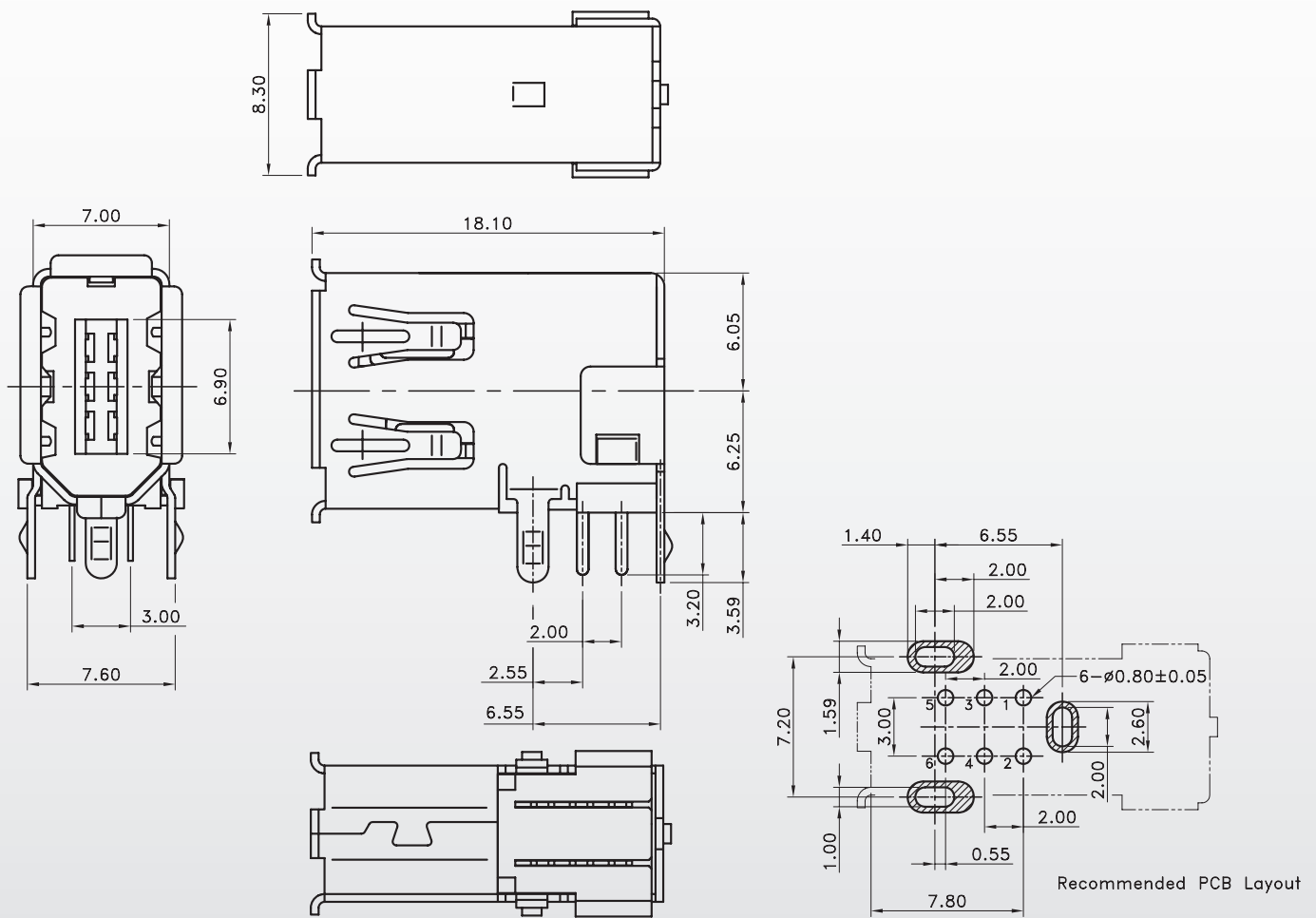
# IEEE 1394 Receptacle Connectors

## Right Angle JS-IE1394FDR1-06



# IEEE 1394 Receptacle Connectors

## Up-Right JS-IE1394FDV1-06





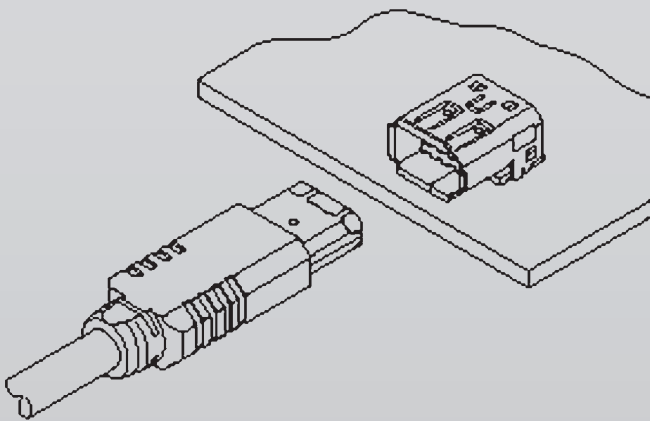
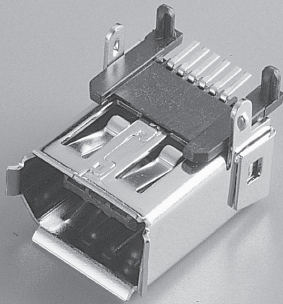
# IEEE 1394 Receptacle Right Angle Connectors<SMT>

## Specifications

- *Current Rating : 1.5A AC/DC*
- *Withstanding Voltage : 40V AC/minute*
- *Insulation Resistance : 100MΩ min.*
- *Temperature Range : -22°C to + 85°C*
- *Contact Resistance : 30mΩ max.*

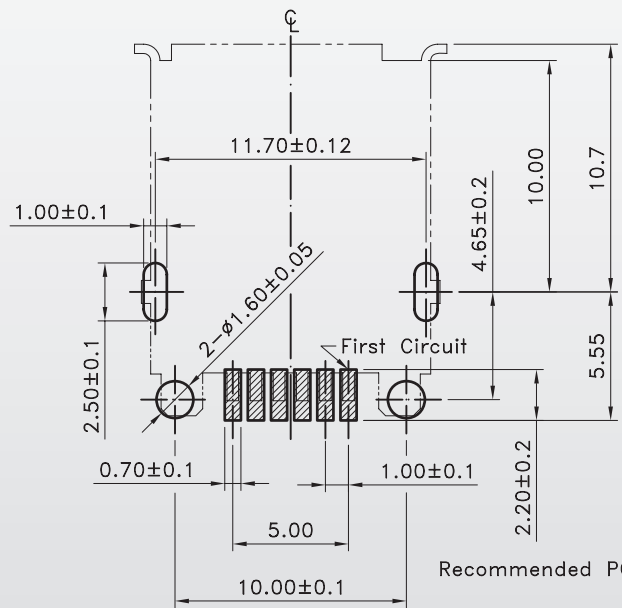
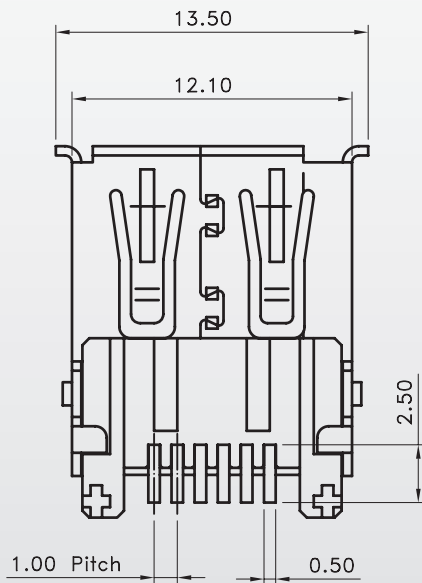
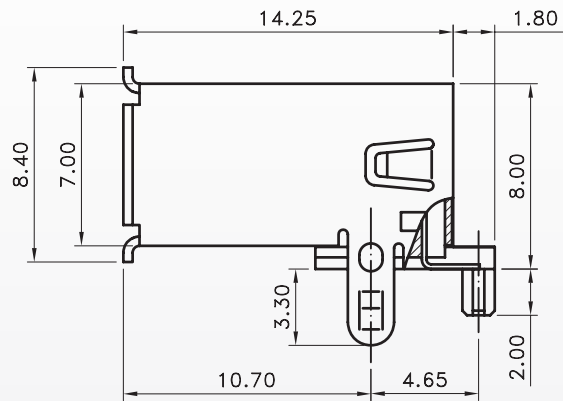
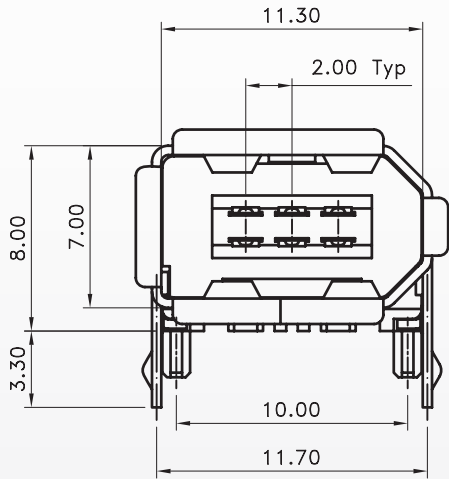
## Features:

- *Part No. : JS-IE1394FSR1-06*
- Pole : 6*
- Material :*
  - Shell - Copper Alloy, Nickel overall*
  - Base - High Temperature Plastic+G.F. UL94V-0*
  - Terminal - Copper Alloy, Select Gold in Contact Are, Select Tin on Solder Tails, Both, over Nickel overall.*
- Q,ty : 100 pcs/Box*



# IEEE 1394 Receptacle Right Angle Connectors<SMT>

JS-IE1394FSR1-06



# Mini USB Connector A Type Receptacle<SMT>

## Specifications

- Current Rating : 1A AC/DC
- Withstanding Voltage : 100V AC/minute
- Insulation Resistance : 100M $\Omega$  min.
- Temperature Range : -50°C to + 85°C
- Contact Resistance : 50m $\Omega$  max.

## Features:

- Part No. : JS-MU20ASFS-04 (Single Key)  
JS-MU20ADFS-04 (Double Key)

Poles : 4

Material :

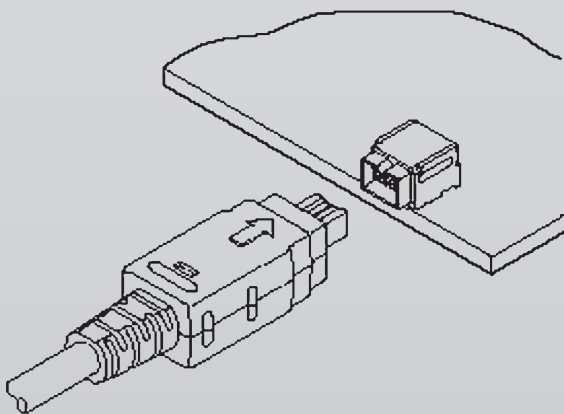
Shell : Copper Alloy, Nickel over Plating

Base : High Temperature

Plastic+G.F. UL94V-0

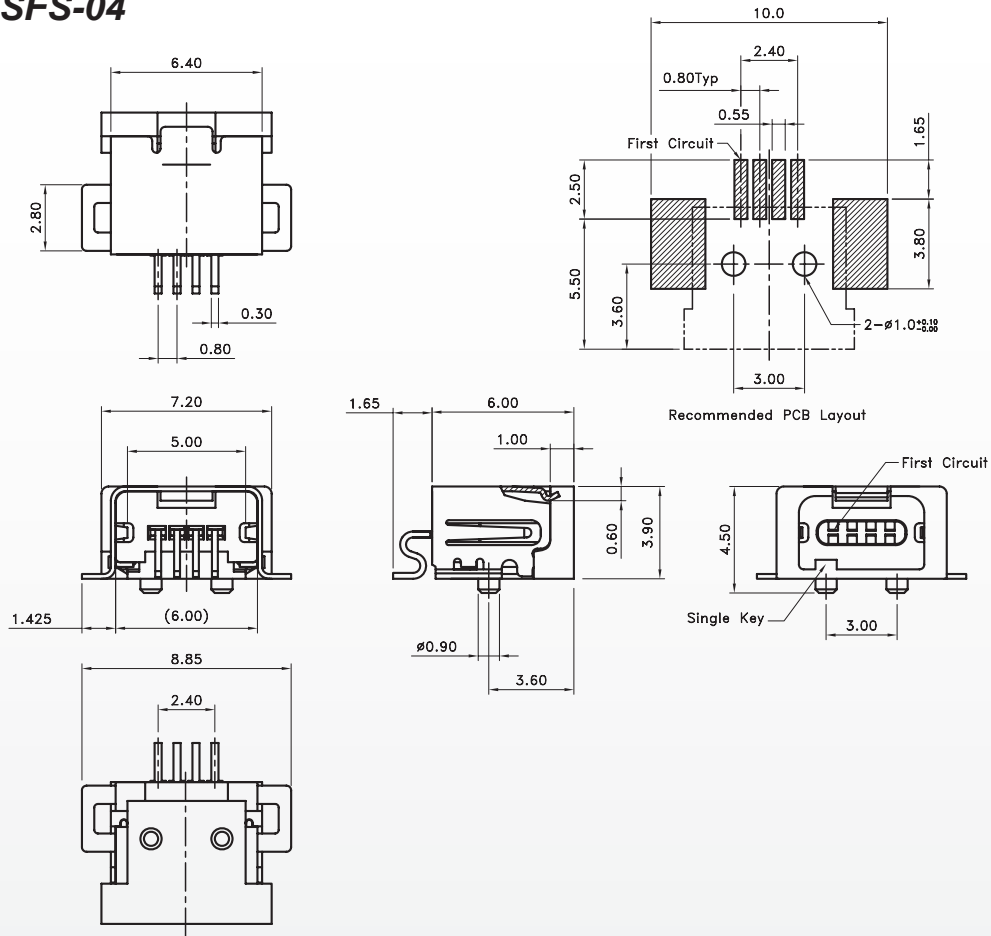
Terminal : Copper Alloy, Select Gold in Contact Are, Select Tin on Solder Tails, Both over Nickel overall

Q,ty : 1,000 pcs/Tape & Reel

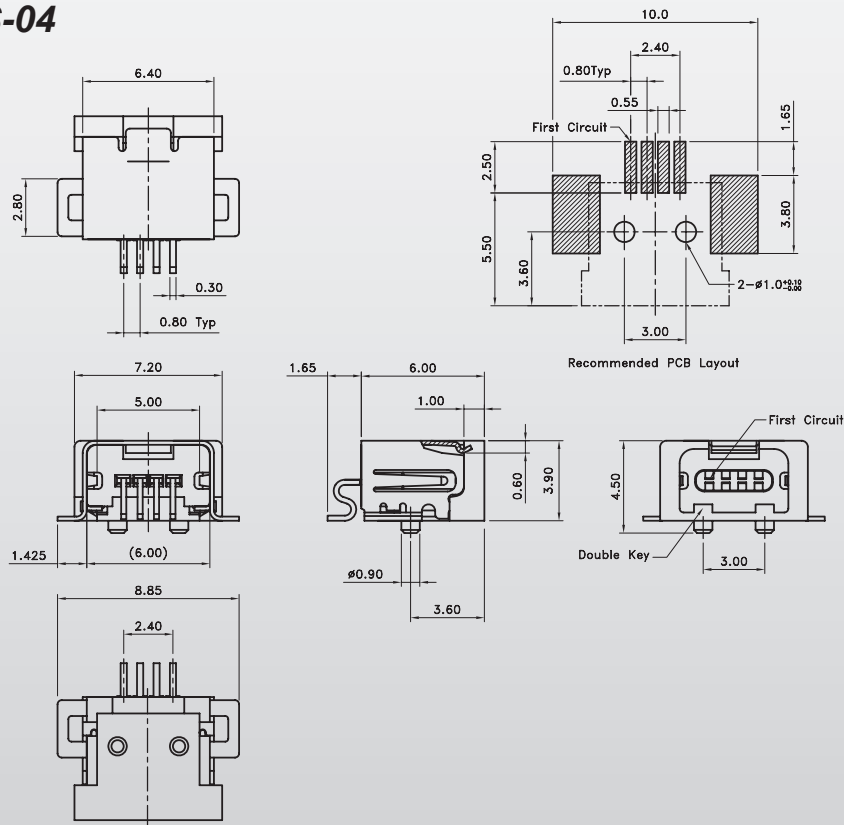


# Mini USB Connector A Type Receptacle<SMT>

## JS-MU20ASFS-04



## JS-MU20ADFS-04

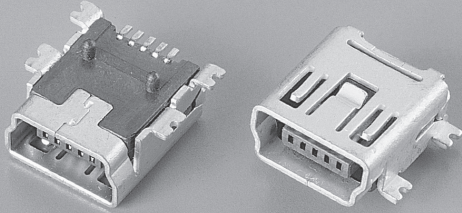




# Mini USB Connector B Type Receptacle<SMT>

## Specifications

- Current Rating : 1A AC/DC
- Withstanding Voltage : 250V AC/minute
- Insulation Resistance : 500M $\Omega$  min.
- Temperature Range : -55°C to + 105°C
- Contact Resistance : 30m $\Omega$  max.



## FEATURES :

Part No. : JS-MU20BFS-05

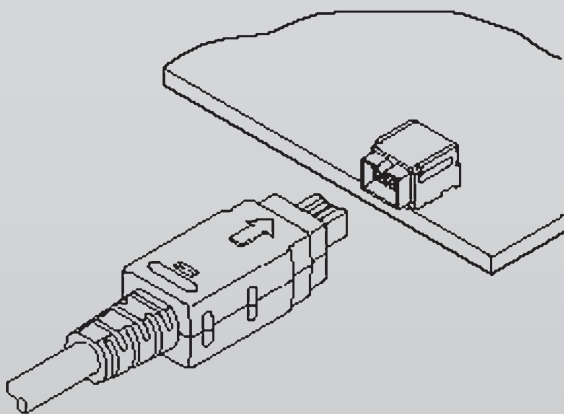
Poles : 5

Material : Shell : Spcc, Nickel or Tin Plated

Housing : LCP UL94V-0 or Nylon 9T 94V-0

Terminal : Phos. Bronze, Selective Gold (30 $\mu$ "

Q,ty : 800 pcs/Tape & Reel







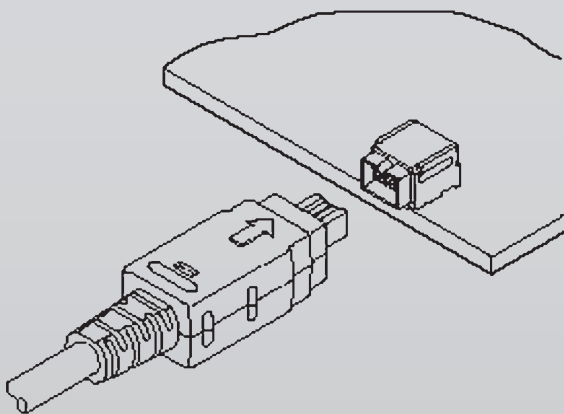
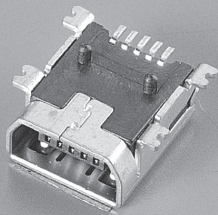
# Mini USB Connector AB Type Receptacle<SMT>

## Specifications

- Current Rating : 1A $\Omega$ AC/DC
- Withstanding Voltage : 250V AC/minute
- Insulation Resistance : 500M $\Omega$  min.
- Temperature Range : -55°C to + 105°C
- Contact Resistance : 30m $\Omega$  max.

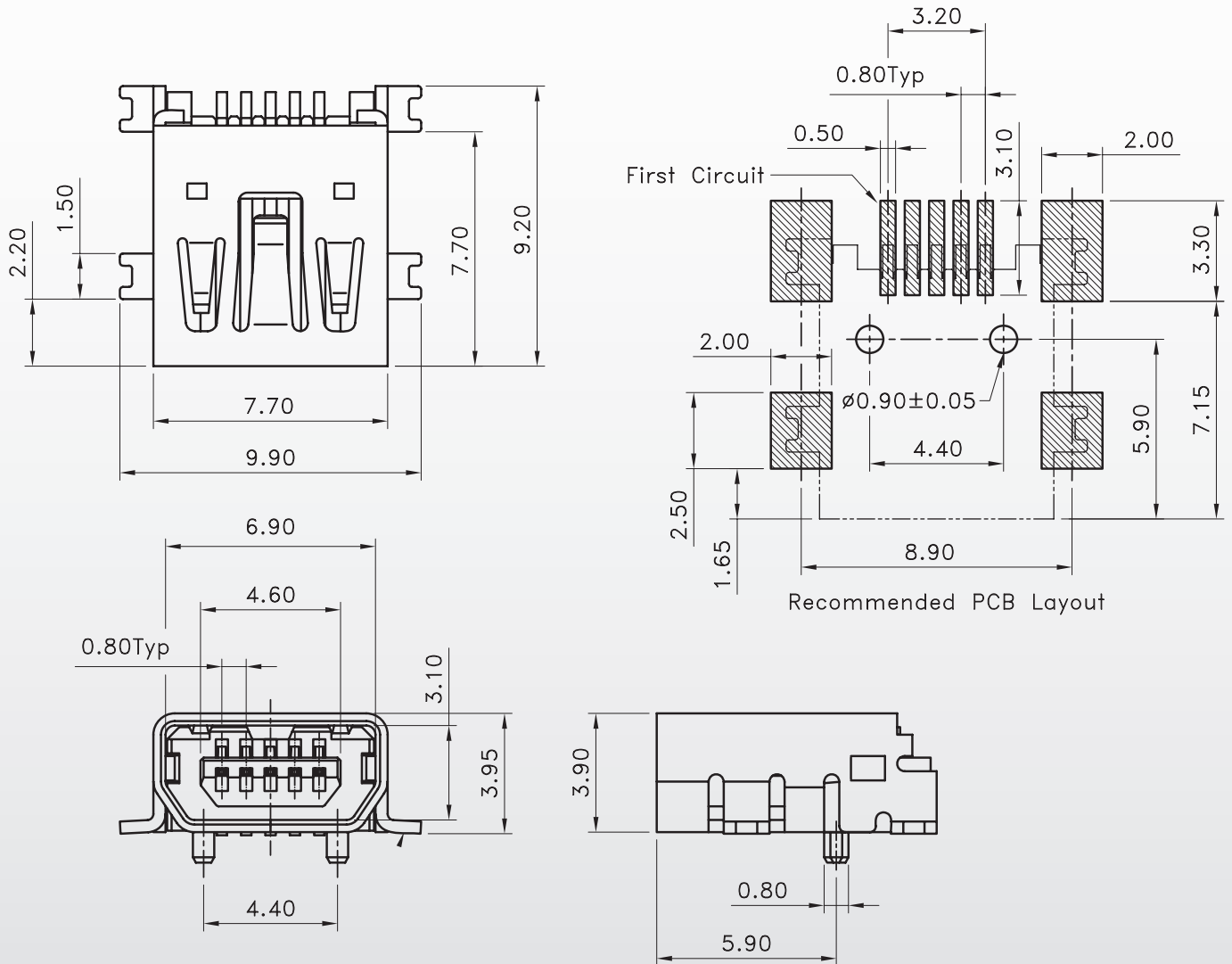
## Features:

- Part No. : JS-MU20ABFS-05
- Poles : 5
- Material :
  - Shell : Spcc, Nickel or Tin Plated
  - Housing - LCP UL94V-0 or Nylon 9T 94V-0
  - Terminal - Phos. Bronze, Selective Gold (30 $\mu$ m)
- Q,ty : 800 pcs/Tape & Reel

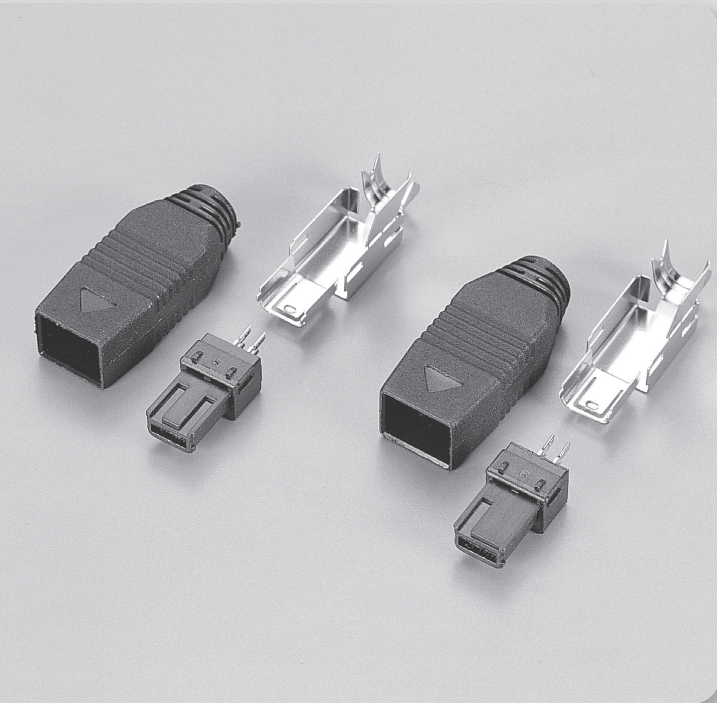


# Mini USB Connector AB Type Receptacle<SMT>

JS-MU20ABFS-05



# Mini USB Connector A Type, Plug

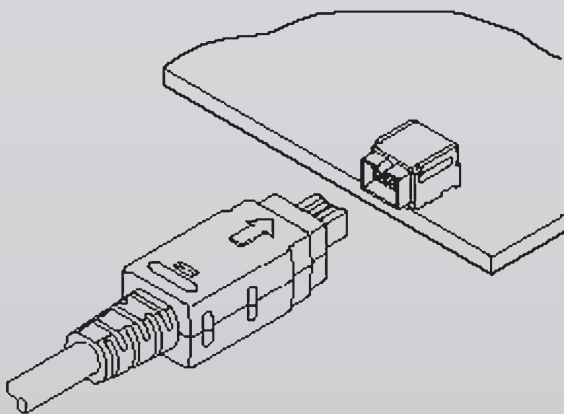


## Specifications

- SPECIFICATIONS
- Voltage Rating : 5V AC/DC
- Current Rating : 0.5A AC/DC
- Withstanding Voltage : 100V AC/minute
- Insulation Resistance : 1,000M $\Omega$  min.
- Temperature Range : -25°C to + 105°C
- Contact Resistance : 50m $\Omega$  max.

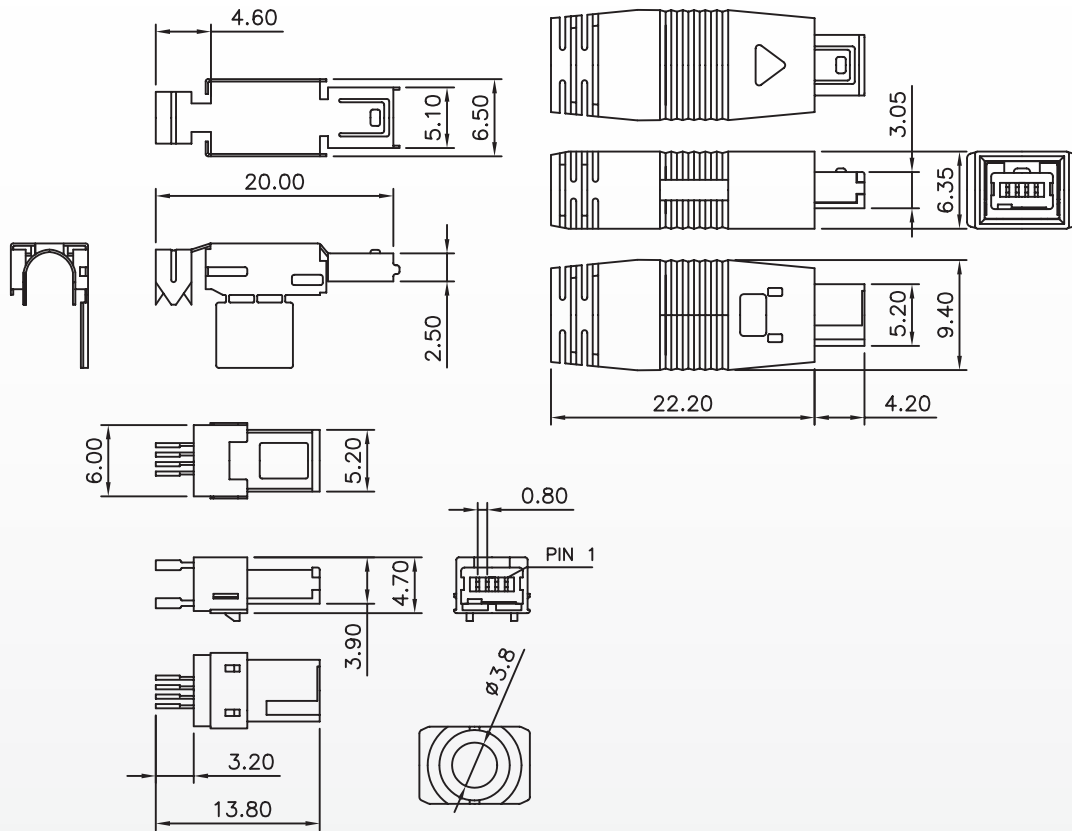
## Features:

- Part No. : JS-MU20ASM-04  
JS-MU20ADM-04
- Pole : 4
- Material :
- Shell - Stainless
- Housing - Nylon 6T UL94V-0
- Terminal - Phos. Bronze, Selective Gold (10 $\mu$ "
- Plastic Hool - Nylon 66 UL94V-0 + 15% Glass Fiber
- Q,ty : 1,000 pcs/Bag

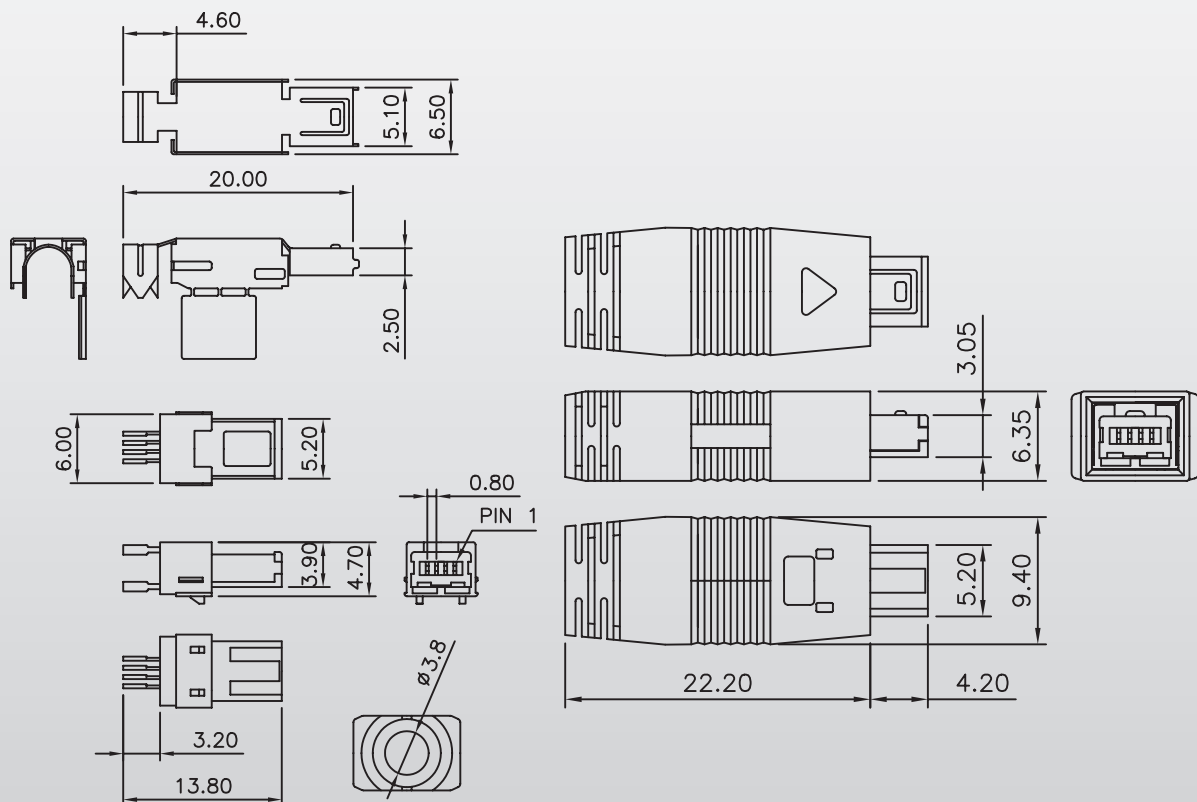


# Mini USB Connector A Type, Plug

## JS-MU20ASM-04



## JS-MU20ADM-04





# USB Connector A Type Receptacle - Right Angle

## Specifications

- Current Rating : 1A AC/DC
- Withstanding Voltage : 500V AC/minute
- Insulation Resistance : 5,000M $\Omega$  min.
- Temperature Range : -40°C to + 105°C
- Contact Resistance : 20m $\Omega$  max.

## Features:

- Part No. : JS-UB11AFDR1-04(USB1.1 Standard)  
JS-UB20AFDR1-04(USB2.0 Standard)

Pole : 4

Material :

USB 1.1 :

Housing - PBT UL94V-0

Terminal - Brass, Half Gold (Gold Flash) / Tin Plated

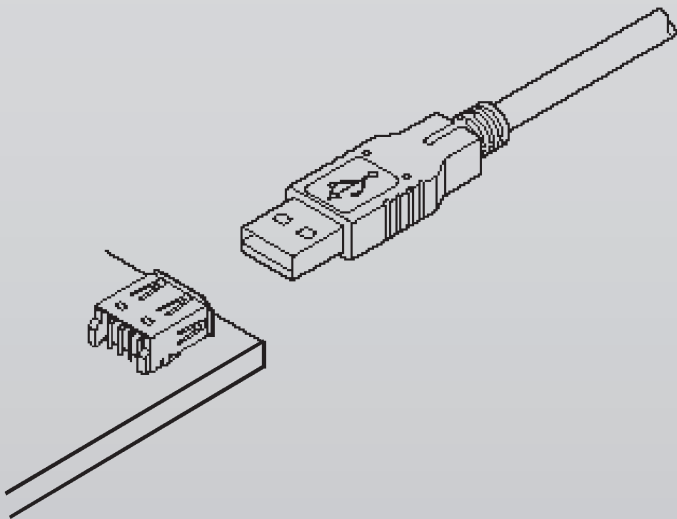
USB 2.0 :

Shell - Brass, Nickel Plated

Housing - Nylon 6T UL94V-0

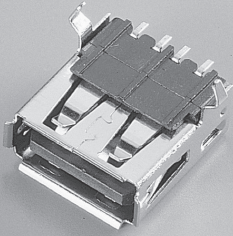
Terminal - Phos. Bronze, Half Gold (30 $\mu$ " ) / Tin Plated

Q,ty : 100 pcs/Box





# USB Connector A Type, Receptacle Right Angle<SMT>



## Specifications

- Current Rating : 1.5A AC/DC
- Withstanding Voltage : 500V AC/minute
- Insulation Resistance : 1,000M $\Omega$  min.
- Temperature Range : -40°C to + 105°C
- Contact Resistance : 30m $\Omega$  max.

## Features:

- Part No. : JS-UB11AFSR1-04(USB1.1 Standard)  
JS-UB20AFSR1-04(USB2.0 Standard)

Material :

USB 1.1 :

Shell - Spcc, Nickel or Tin Plated

Housing - PBT UL94V-0

Terminal - Brass, Half Gold (Gold Flash)

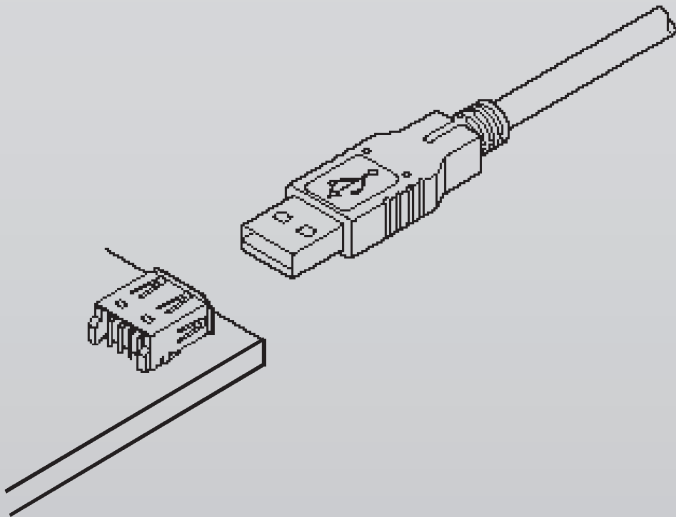
USB 2.0 :

Shell - Brass, Nickel Plated

Housing - Nylon 6T UL94V-0

Terminal - Phos. Bronze, Half Gold (30 $\mu$ "

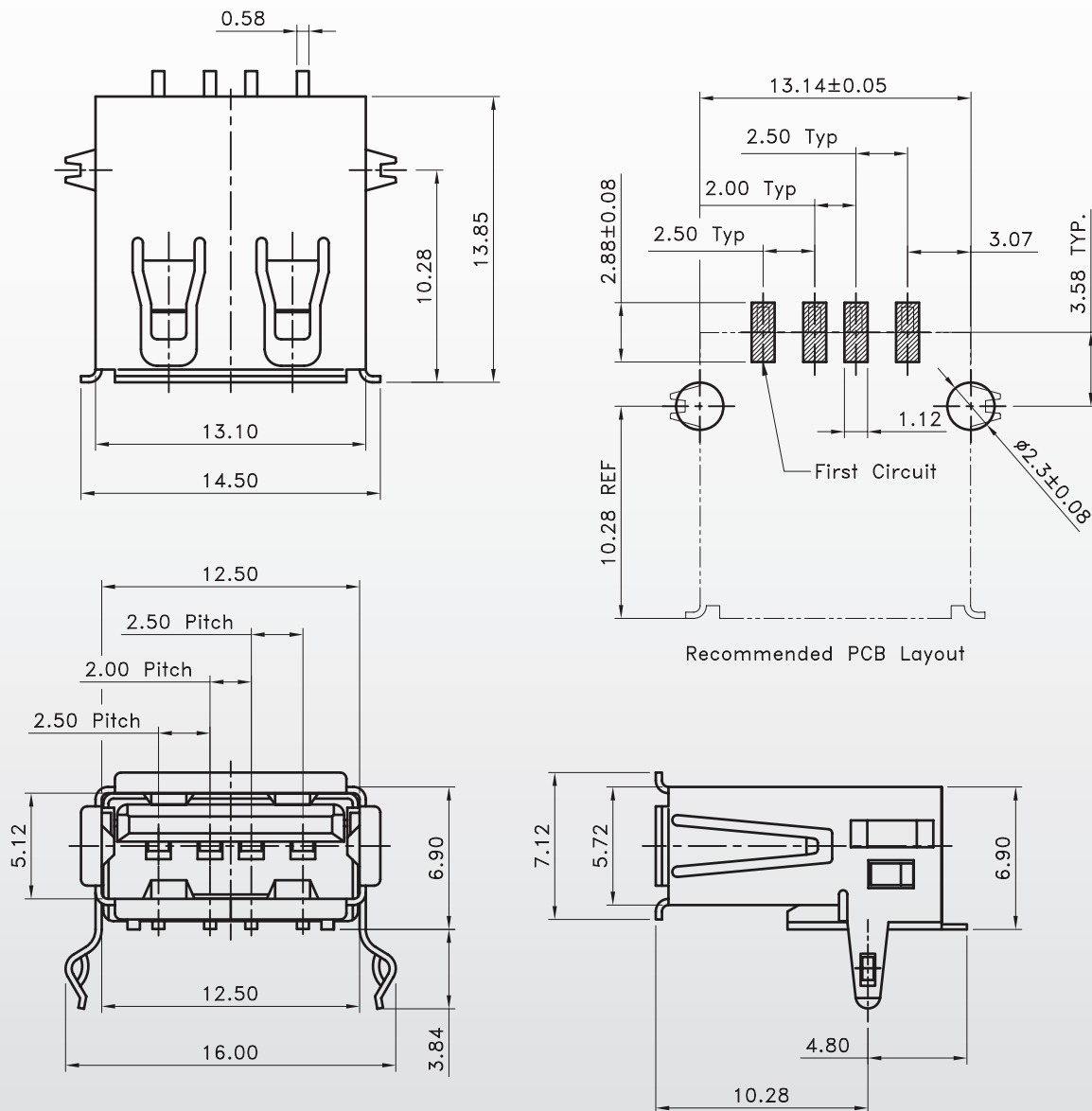
Q,ty : 100 pcs/Box



# USB Connector A Type, Receptacle Right Angle<SMT>

**JS-UB11AFSR1-04**

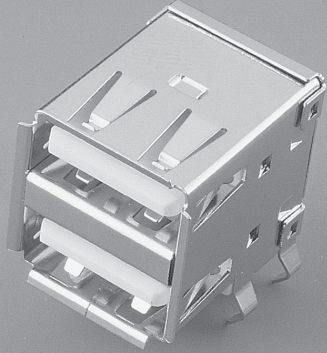
**JS-UB20AFSR1-04**



F



# USB Connector A Type, Receptacle Right Angle, Double Deck Type



## Specifications

- Current Rating : 1.5A AC/DC
- Withstanding Voltage : 500V AC/minute
- Insulation Resistance : 5,000M $\Omega$  min.
- Temperature Range : -20°C to + 85°C
- Contact Resistance : 10m $\Omega$  max.

## Features:

Part No. : JS-UB11AFDR2-08(USB1.1 Standard)  
JS-UB20AFDR2-08(USB2.0 Standard)

Poles : 8

Material :

USB 1.1 :

Terminal - Brass, Half Gold (Gold Flash) / Tin Plated

Spring Clip - Spcc, Tin Plated

USB 2.0 :

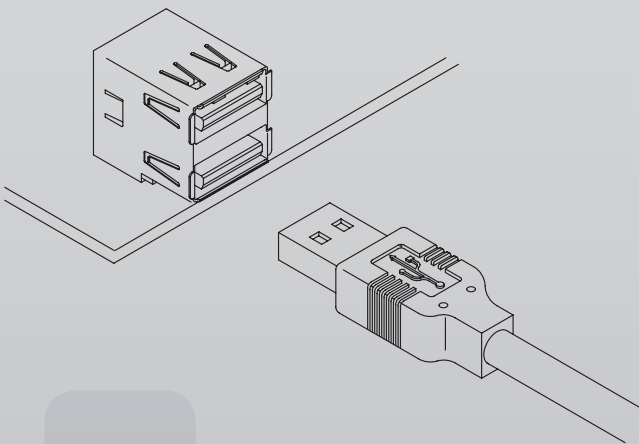
Shell - Brass, Nickel Plated

Housing - Nylon 6T UL94V-0

Terminal - Phos. Bronze, Half Gold (30 $\mu$ m) / Tin Plated

Spring Clip - Brass, Tin Plated

Q,ty : 100 pcs/Box







# USB Connector A Type, Plug Right Angle

## Specifications

- Current Rating : 1AMP 30VAC
- Withstanding Voltage : 500V AC/minute
- Insulation Resistance : 1,000MΩ min.
- Temperature Range : -20°C to + 85°C
- Contact Resistance : 30mΩ max.

## Features:

- Part No. : JS-UB11PFDR1-04 (USB1.1 Standard)  
JS-UB20PFDR1-04 (USB2.0 Standard)

Poles : 4

Material :

USB 1.1 :

Shell - Spcc, Nickel Plated

Housing - PBT UL94V-0

Terminal - Brass, Half Gold (Gold Flash) / Tin Plated

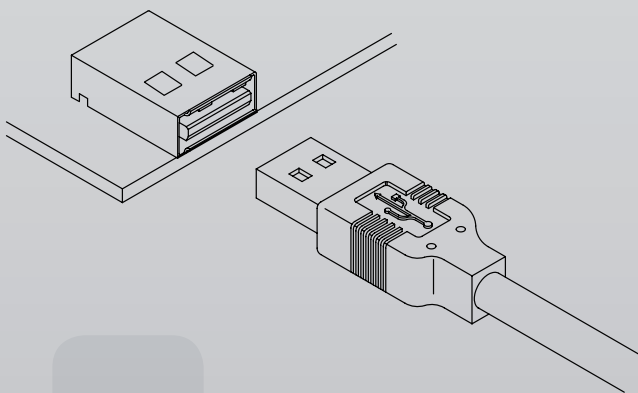
USB 2.0 :

Shell - Brass, Nickel Plated

Housing - Nylon 6T UL94V-0

Terminal - Phos. Bronze, Half Gold (30μ") / Tin Plated

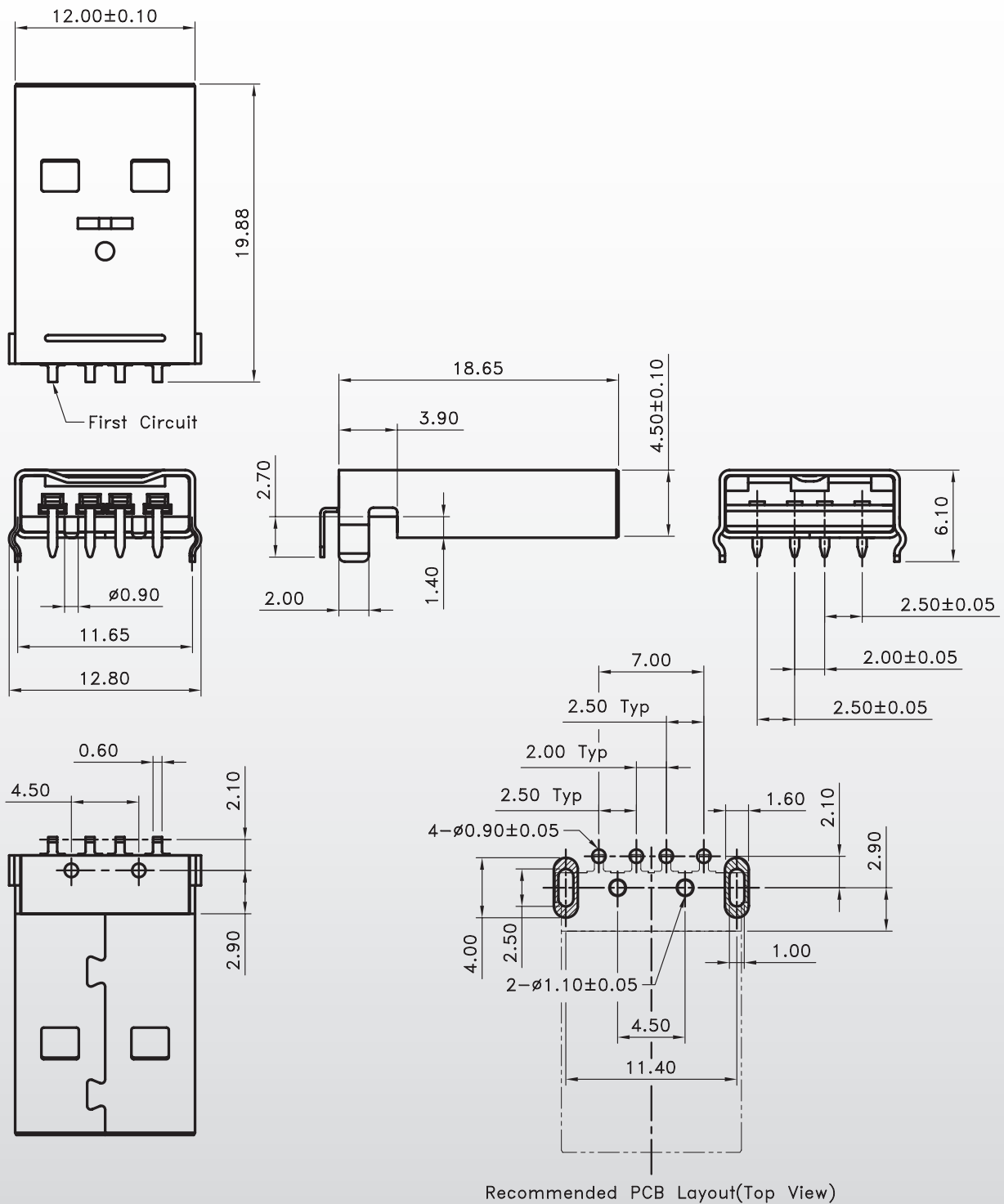
Q,ty : 100 pcs/Box



# USB Connector A Type, Plug Right Angle

**JS-UB11PFDR1-04**

**JS-UB20PFDR1-04**



# USB Connector A Type, Plug Right Angle<SMT>

## Specifications

- Current Rating : 1AMP 30V AC
- Withstanding Voltage : 500V AC/minute
- Insulation Resistance : 1,000M $\Omega$  min.
- Temperature Range : -20°C to + 85°C
- Contact Resistance : 30m $\Omega$  max.

## Features:

Part No. : JS-UB11PFSR1-04 (USB1.1 Standard)

JS-UB20PFSR1-04 (USB2.0 Standard)

Poles : 4

Material :

USB 1.1 :

Shell - Spcc, Nickel Plated

Housing - PBT UL94V-0

Terminal - Brass, Half Gold (Gold Flash) / Tin Plated

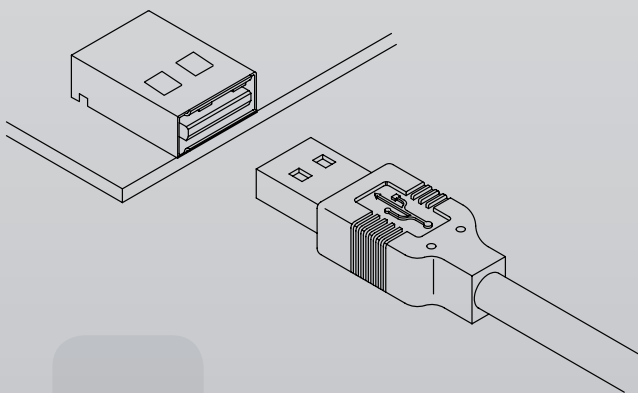
USB 2.0 :

Shell - Brass, Nickel Plated

Housing - Nylon 6T UL94V-0

Terminal - Phos. Bronze, Half Gold (30 $\mu$ )

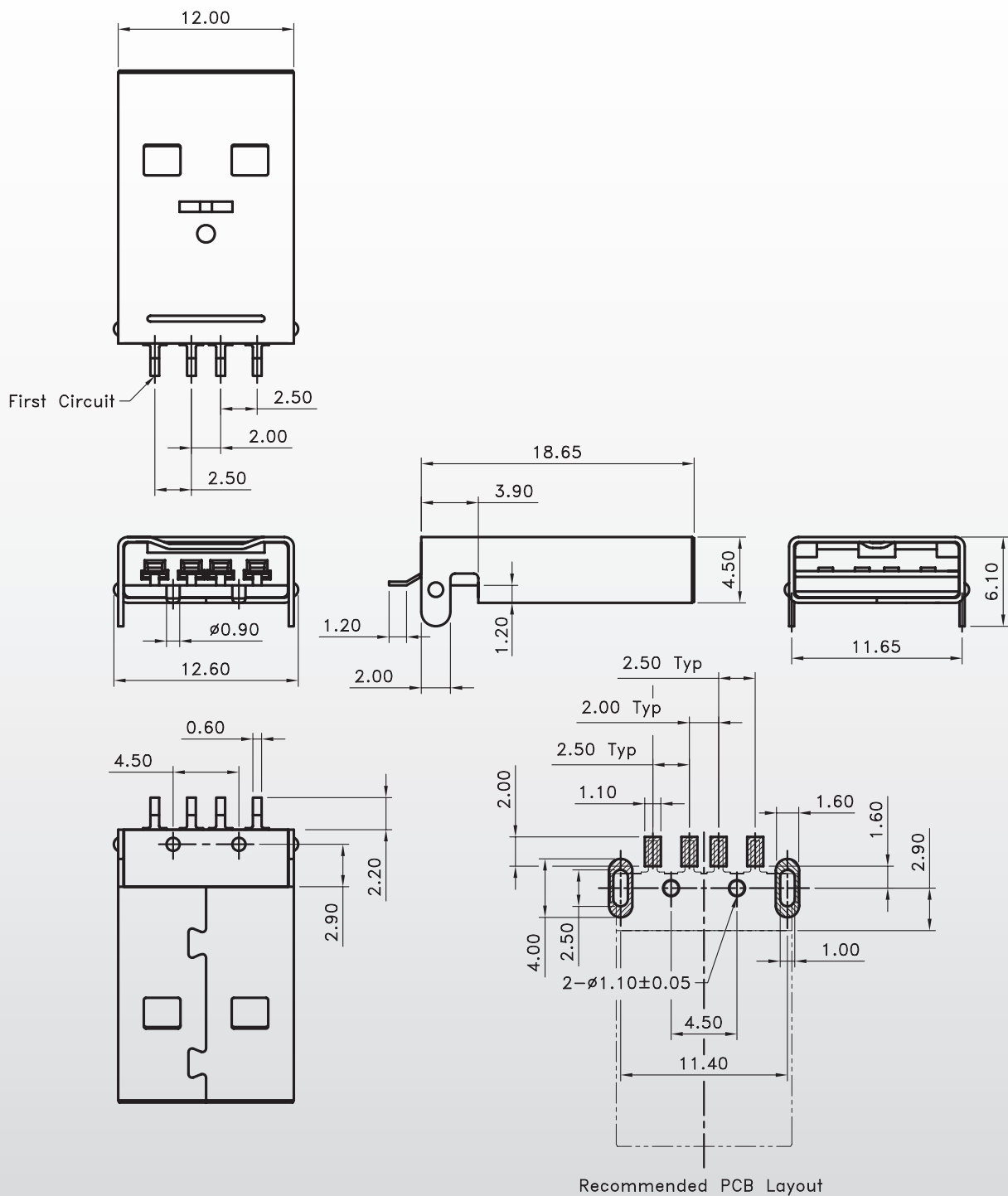
Q,ty : 100 pcs/Box



# USB Connector A Type, Plug Right Angle<SMT>

JS-UB11PFSR1-04

JS-UB20PFSR1-04



F



# USB Connector A Type, Plug and Crimping Tail

## Specifications

- Current Rating : 1AMP 30V AC
- Withstanding Voltage : 500V AC/minute
- Insulation Resistance : 500MΩ min.
- Temperature Range : -20°C to + 85°C
- Contact Resistance : 20mΩ max.

## Features:

- Part No. : JS-UB11AM-04 (USB1.1 Standard)  
JS-UB20AM-04 (USB2.0 Standard)

Pole : 4

Material :

USB 1.1 :

Metal Lower Cover - Steel, Nickel Plated

Metal Upper Cover - Steel, Nickel Plated

Housing - PBT UL94V-0

Terminal - Brass, Gold over Nickel

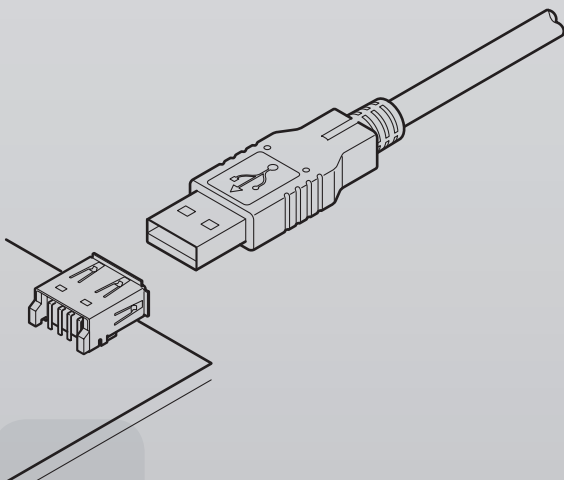
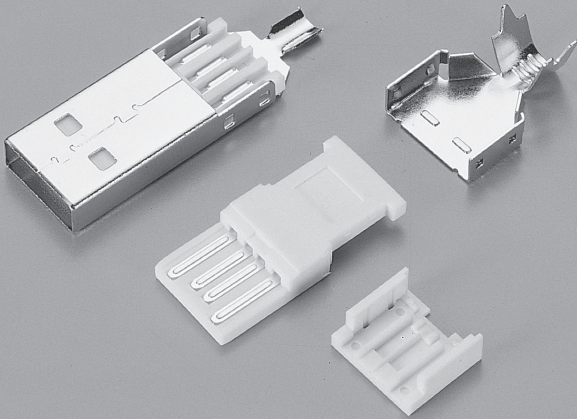
USB 2.0 :

Shell - Brass, Nickel Plated

Housing - Nylon 6T UL94V-0

Terminal - Phos. Bronze, Half Gold (30μ") / Tin Plated

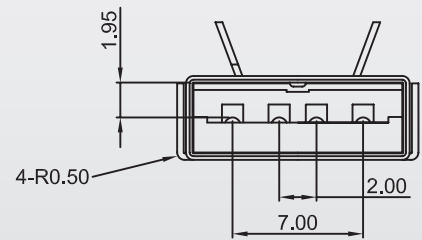
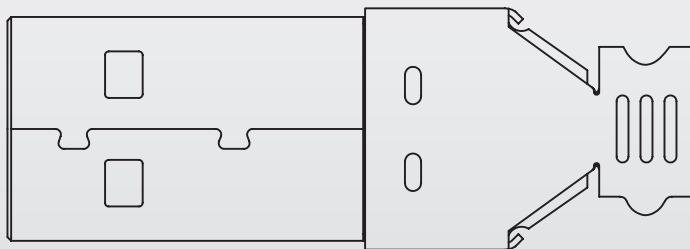
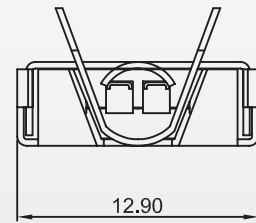
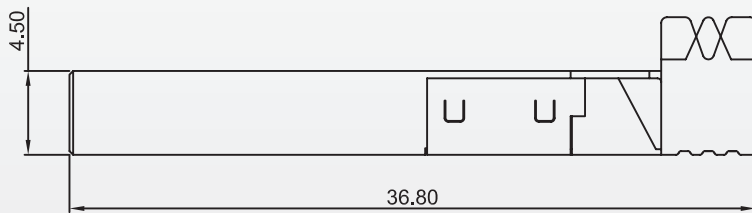
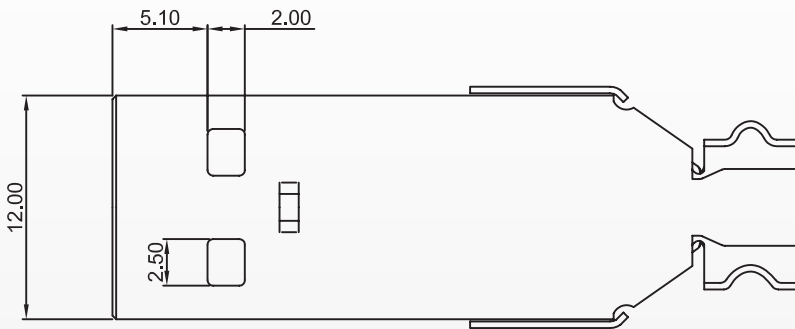
Q,ty : 100 pcs/Box



# USB Connector A Type, Plug and Crimping Tail

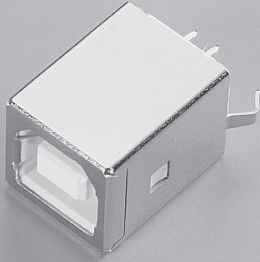
**JS-UB11AM-04**

**JS-UB20AM-04**



**F**

# USB Connector B Type, Receptacle - Straight



## Specifications

- *Current Rating : 1AMP 30V AC*
- *Withstanding Voltage : 500V AC/minute*
- *Insulation Resistance : 1,000MΩ min.*
- *Temperature Range : -20°C to +85°C*
- *Contact Resistance : 30mΩ max.*

## Features:

### ■ *USB CONNECTOR*

*Part No. : JS-UB11BFDS1-04 (USB1.1 Standard)*

*JS-UB20BFDS1-04 (USB2.0 Standard)*

*Pole : 4*

*Material :*

*USB 1.1 :*

*Shell - Spcc, Nickel Plated*

*Housing - PBT UL94V-0*

*Terminal - Brass, Half Gold (Gold Flash) / Tin Plated*

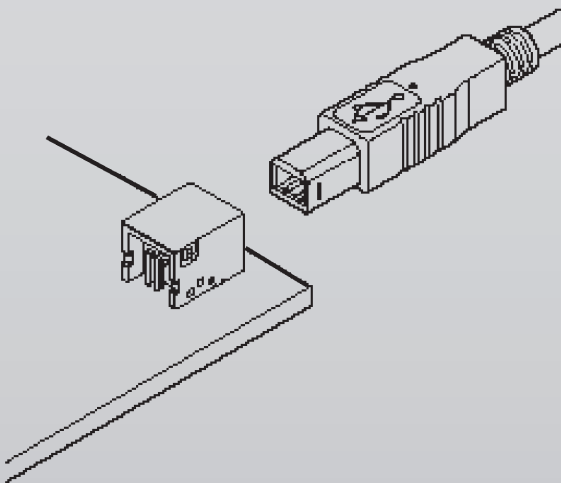
*USB 2.0 :*

*Shell - Brass, Nickel Plated*

*Housing - Nylon 6T UL94V-0*

*Terminal - Phos. Bronze, Half Gold (30μ") / Tin Plated*

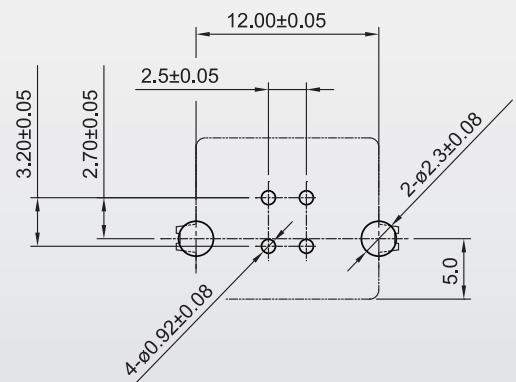
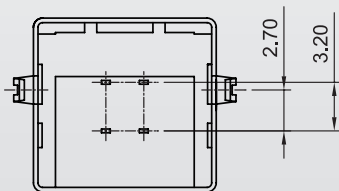
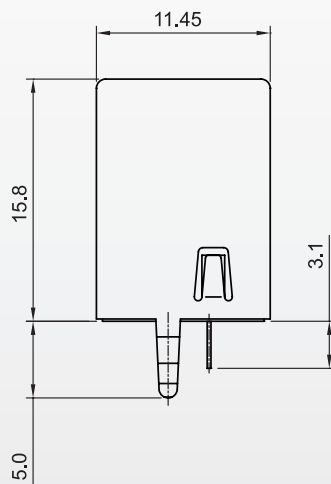
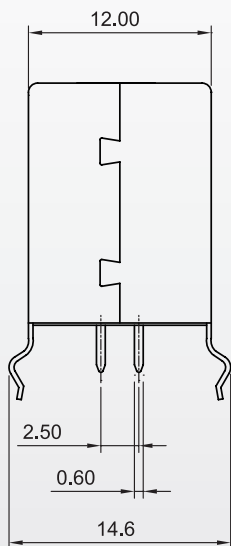
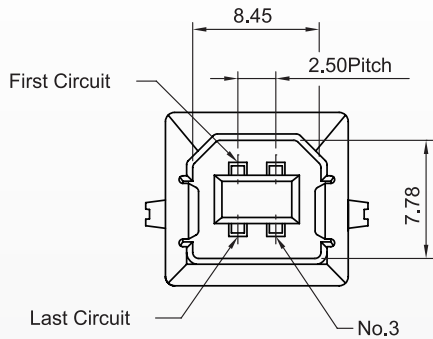
*Q,ty : 100 pcs/PVC Tray*



# USB Connector B Type, Receptacle - Straight

**JS-UB11BFDS1-04**

**JS-UB20BFDS1-04**



Recommended PCB Layout (Top View)

# USB Connector B Type, Receptacle Right Angle

## Specifications

- Current Rating : 1AMP 30AC
- Withstanding Voltage : 500V AC/minute
- Insulation Resistance : 1,000M $\Omega$  min.
- Temperature Range : -20°C to + 85°C
- Contact Resistance : 30m $\Omega$  max.

## Features:

- Part No. : JS-UB11BFDR1-04 (USB1.1 Standard)  
JS-UB20BFDR1-04 (USB2.0 Standard)

Pole : 4

Material :

USB 1.1 :

Shell - Spcc, Nickel Plated

Housing - PBT UL94V-0

Terminal - Brass, Half Gold (Gold Flash) / Tin Plated

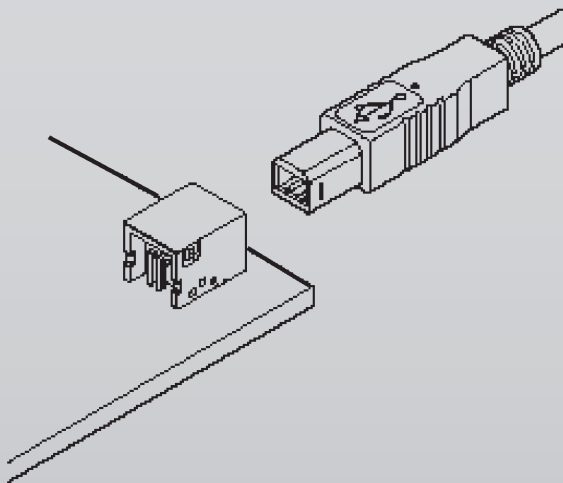
USB 2.0 :

Shell - Brass, Nickel Plated

Housing - Nylon 6T UL94V-0

Terminal - Phos. Bronze, Half Gold (30 $\mu$ ) / Tin Plated

Q,ty : 100 pcs/Box

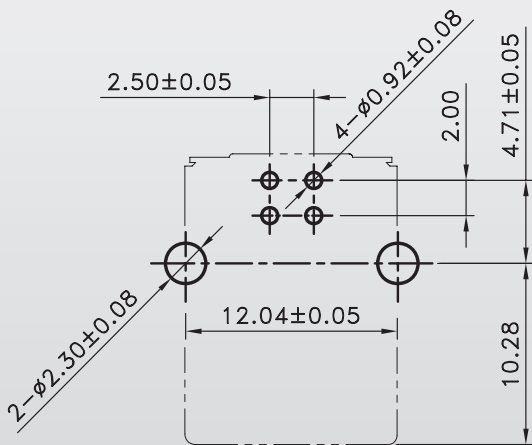
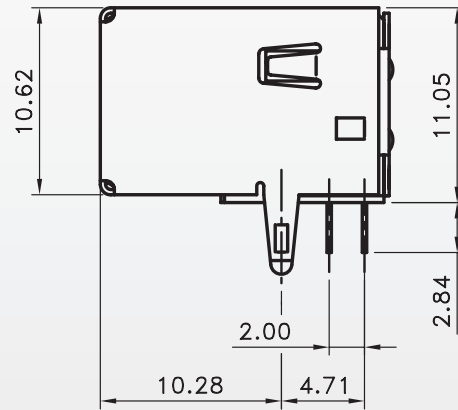
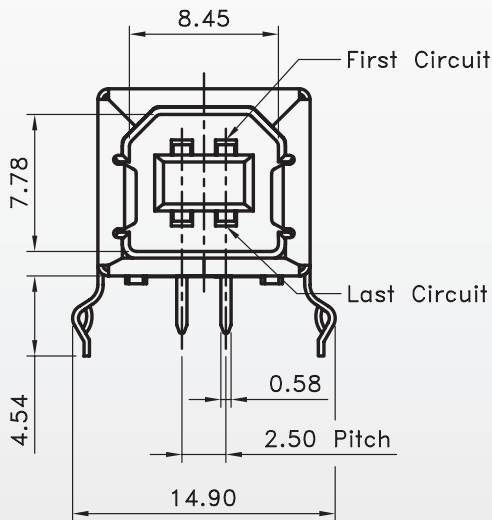
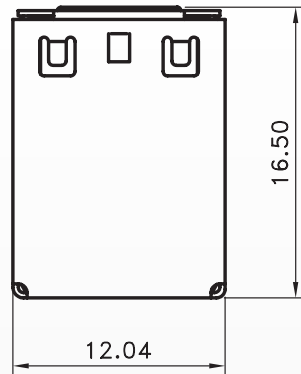




# USB Connector B Type, Receptacle Right Angle

**JS-UB11BFDR1-04**

**JS-UB20BFDR1-04**



Recommended PCB Layout (Top View)

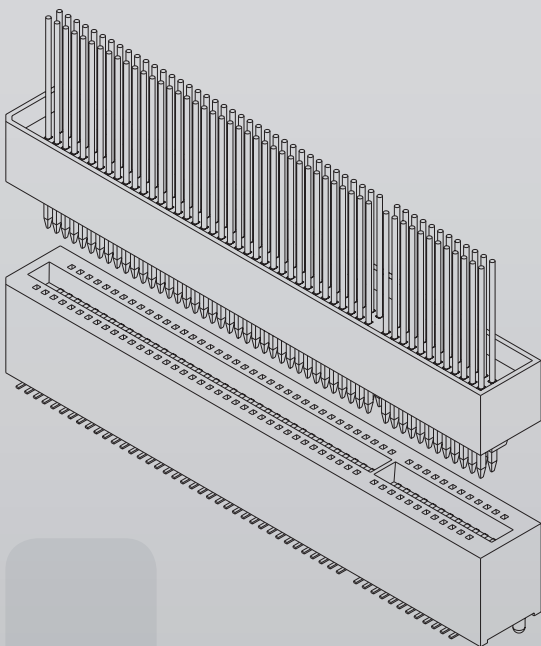
# 1.00mm (.039") Card Edge Connectors<SMT>

## Specifications

- Voltage Rating : 300V AC/DC
- Current Rating : 2A AC/DC
- Insulation Resistance : 5,000M $\Omega$  min.
- Temperature Range : -55°C to + 105°C
- Contact Resistance : 30m $\Omega$  max.

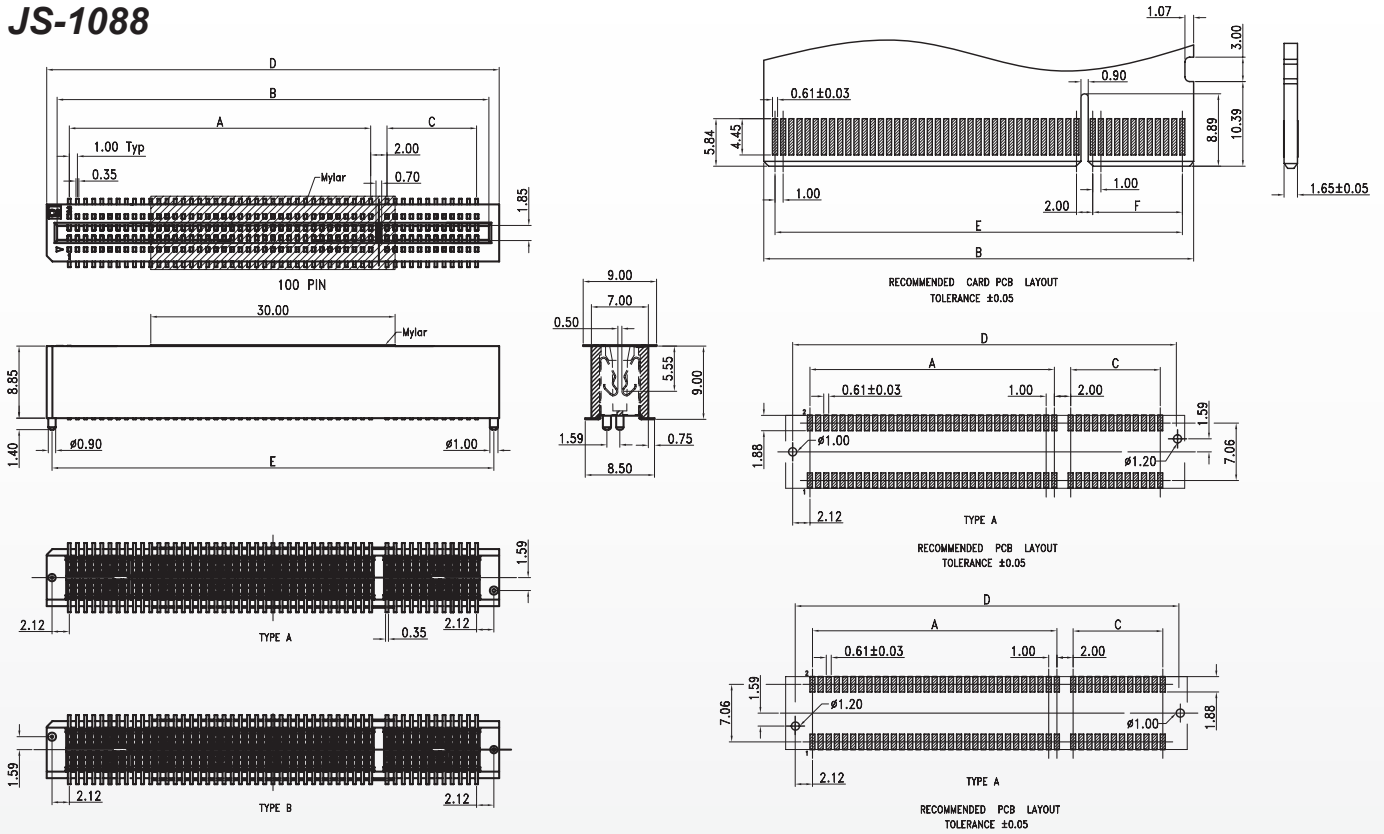
## Features:

- Part No. : JS-1088-XXXX
- Poles : 78, 100
- Material : Contact : Copper Alloy, Tin Plated  
Base : Nylon 9T UL94V-0  
Color : Black
- Q'ty : 300 pcs/Reel

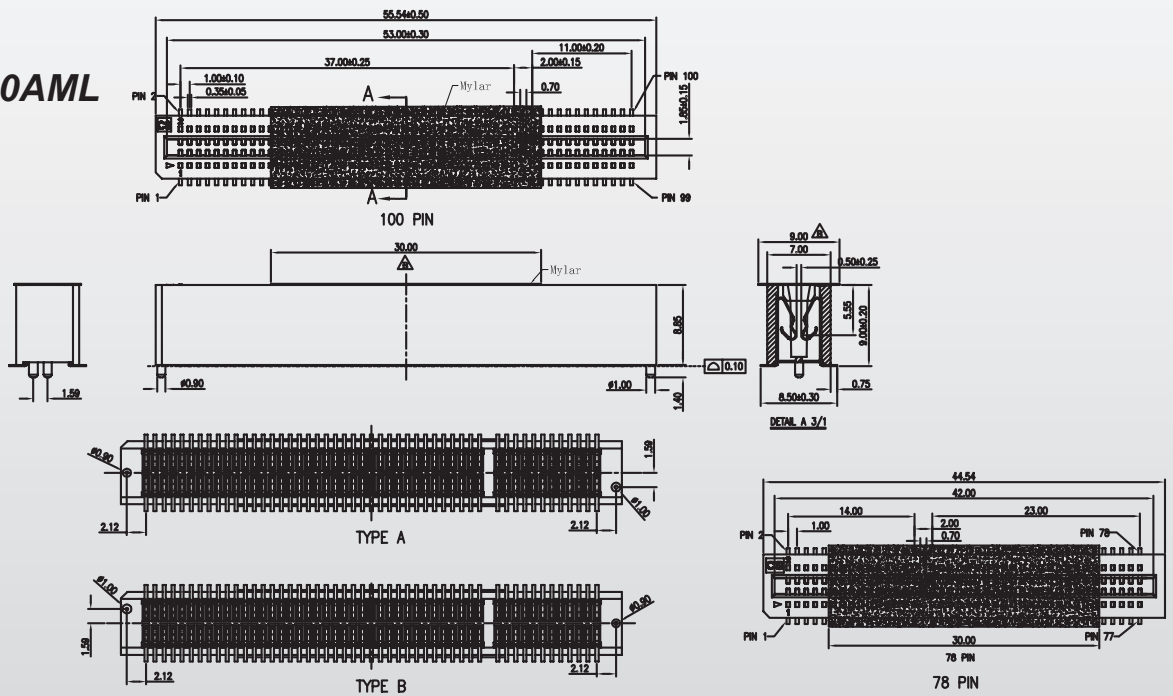


# 1.00mm (.039") Card Edge Connectors<SMT>

## Housing JS-1088



## Housing JS-1088-100AML



Poles	Part No.	Dimensions (mm)				
	JS-1088-XXXX	A	B	C	D	E
78	JS-1088-078	14.00	12.00	11.00	44.50	43.24
100	JS-1088-100	5.00	9.80	23.00	55.50	54.24

---

NAME

---

TEL

FAX

---

ADDRESS

---

---

NAME

---

TEL

FAX

---

ADDRESS

---

---

NAME

---

TEL

FAX

---

ADDRESS

---

---

NAME

---

TEL

FAX

---

ADDRESS

---

---

NAME

---

TEL

FAX

---

ADDRESS

---

---

NAME

---

TEL

FAX

---

ADDRESS

---

---

NAME

---

TEL

FAX

---

ADDRESS

---

---

NAME

---

TEL

FAX

---

ADDRESS

---

---

NAME

---

TEL

FAX

---

ADDRESS

---

---

NAME

---

TEL

FAX

---

ADDRESS

---

---

NAME

---

TEL

FAX

---

ADDRESS

---

---

NAME

---

TEL

FAX

---

ADDRESS

---



## Headquarter



■ 台北總公司  
Taipei Headquarter

## China Factory



■ 上海工廠  
Shanghai Factory



■ 東莞工廠  
Dong Guan Factory



## ■ ASIA & PACIFIC

### China - Shanghai factory Chyao Shiunn Electronic ( Shanghai ) Co.,Ltd.

1/F Block 46, No.299 Fute Chung Road,  
Waigaoqiao Free Trade Zone Shanghai, China  
Tel : 86-21-5046-1169 Fax : 86-21-5046-1063  
E-mail: CHYAO@public4.sta.net.cn

### China - Dong Guan factory CHYAO SHIUNN ELECTRONIC FACTORY (DONG GUAN)

Heng Gang Dou Village, Hong San Precinct, Chang An Town,  
Dong Guan City, Guangdong, China  
Tel : 0769-89992688 / 86-769-85318576 / 85317057  
Fax : 0769-89992699 / 86-769-85318577 / 85304158  
E-mail: cs@cs-dg.com.cn

### Hong Kong Chyao Shiunn Electronic (H.K) Ltd.

Unit F, 13/F, World Tech Centre, 95 How Ming Street, Kwun Tong, Kowloon, H.K.  
Tel: 852-23893281 Fax: 852-23411217  
E-mail: kenc@cse.com.hk

### Malaysia Chyao Shiunn Electronic Ind. (M) S/B

Penang Office: Tel: 604 6465710 Fax: 604 6446627  
KL Office: Tel: 603 56362886 Fax: 603 56353216  
e-mail: nick\_ooi@urc-ap.com

### Korea JE-IL Co.,LTD

3rd FL, Hwaryun Bldg, 753-5, Bangbae-Dong, Seocho-Gu, Seoul, Korea  
Tel: 82-2-3477-2560 Fax: 82-2-3477-2561  
E-mail: eddykwon@jeilcorp.com

## ■ AMERICAN

### USA PalPilot Corp

Tel: 1-408-855-8866 Fax: 1-408-209-6868  
E-mail: connectorinfo@pal-conn.com

### Brazil Panzel Comercio Exterior Ltda.

Tel: 55-011-55850998 Fax: 55-011-55849948  
E-mail: Joyce.Lin@Unist.com.tw

## ■ EUROPE

### United Kingdom (U.K) Takbro Ltd.

Tel: 01444-872301 Fax: 01444-872316  
E-mail: sales@takbro.co.uk

### Italy Selecom S.R.L

Tel: 39-02-95328047 Fax: 39-02-95328117  
E-mail: selling@selecom.it

### Switzerland ELCOTRON SA

Tel: 41-22-3615352 Fax: 41-22-3615351  
E-mail: tech@elcotron.ch

### Poland MARITEX

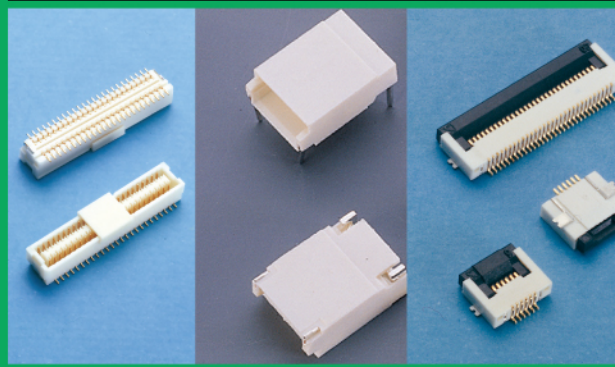
Tel: 48-58-622 89 00 ext 23 Fax: 48-58-6224766  
E-mail: h.piekarski@maritex.com.pl

### Austria SENO

Tel: 43-16045713 Fax: 43-16043235  
E-mail: heidi.maz@seno.at

### Ukraine UNISYSTEM SG

Tel / Fax: 38-044-3916778, 38-044-3913898  
E-mail: y.barabash@unisystem.kiev.ua



E9272448 E113875(R) LR89776-1



台灣總公司(Headquarter)

喬訊電子工業股份有限公司

Chyao Shiunn Electronic Industrial Ltd.

台北縣淡水鎮中正東路一段三巷17號7樓(251)

7F, #17, Lane 3, Sec. 1 Chung Cheng East Road, Tamshui, 251 TAIPEI, TAIWAN, R.O.C.

Tel: 886-2-26299955, Fax: 886-2-26266677

E-mail: cs@chyaoashiunn.com.tw http://www.chyaoashiunn.com.tw