

REV	ECN NO.	DESCRIPTION	DATE
A		RELEASE	MAR.22.05
B		ADD RoHS	AUG.21.06

RoHS COMPLIANT

SPECIFICATION

MATERIAL
 Insulator: Thermal Plastic UL94V-0 Color: White
 Contacts: Copper Alloy
 Boardlock: Copper Alloy
CONTACT PLATING
 Underplate: 50u"~100u" Nickel
 Contact Area: 1u"~30u" Selective Gold
 Solder Tails Area: 100u"~200u" Tin/Lead(Brighten Tin) or 100u"~200u" Tin/Lead Free (Brighten Tin/Matte Tin)

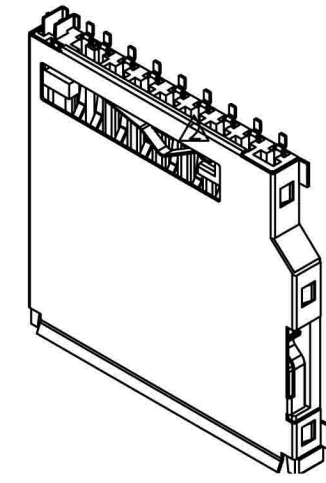
ELECTRICAL

Current Rating: 1 Amps Max.
 Contact Resistance: 100 mohms Max.
 Insulation Resistance: 1000 Mohms Min @ 500 VDC

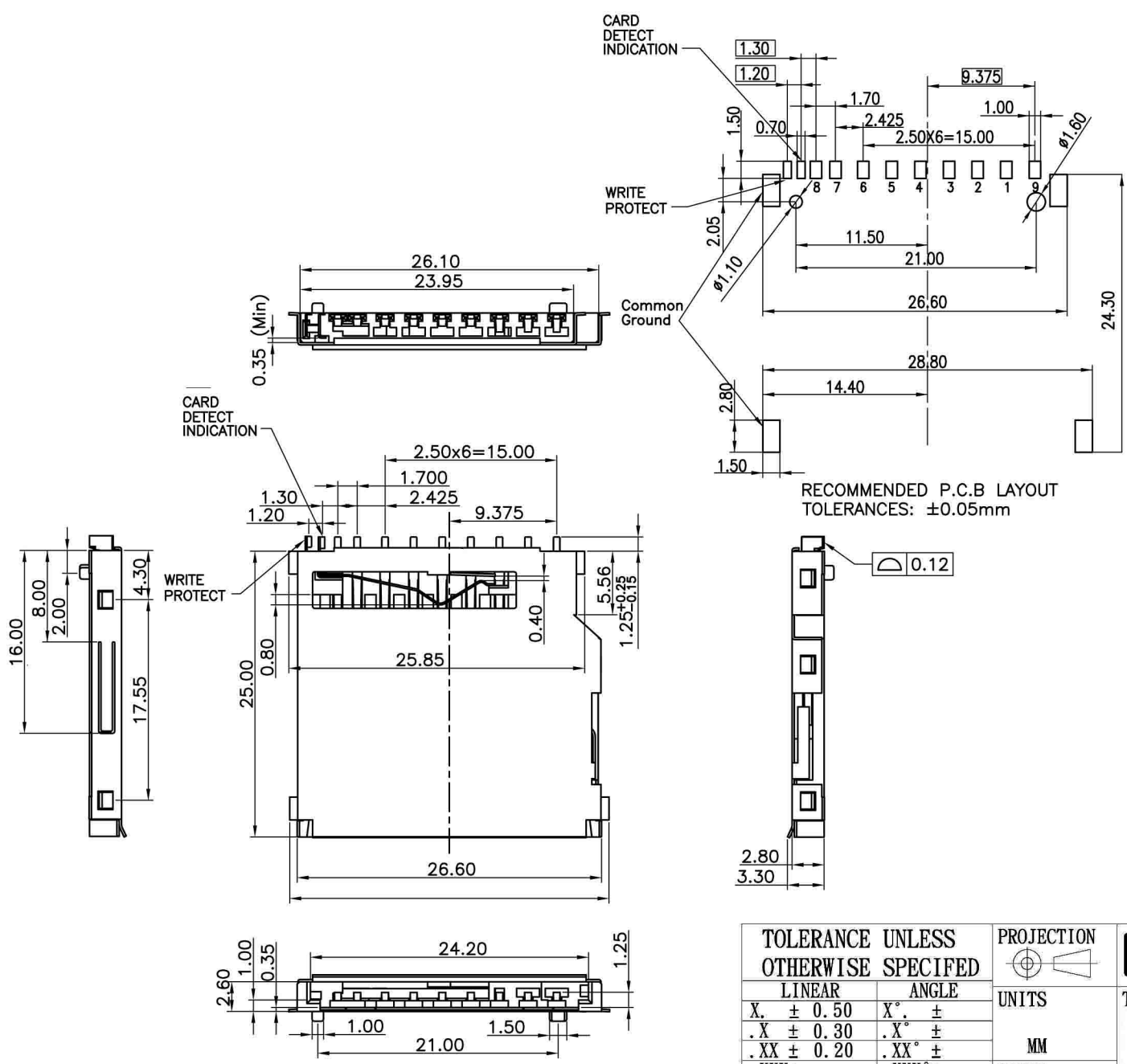
MECHANICAL

Mating Cycles: 10000 Cycles
 Temperature Range: -25°C To +85°C

PIN#	NAME
1	CD/DAT3
2	CMD
3	VSS1
4	VDD
5	CLK
6	VSS2
7	DAT0
8	DAT1
9	DAT2



RECOMMENDED P.C.B LAYOUT
 TOLERANCES: ±0.05mm



TOLERANCE UNLESS OTHERWISE SPECIFIED		PROJECTION
LINEAR	ANGLE	
X. ± 0.50	X° ±	UNITS
.X ± 0.30	.X° ±	MM
.XX ± 0.20	.XX° ±	SCALE
.XXX±	.XXX° ±	SIZE
APPD		A4
CHKD		
DRAW	Tao.Tao, AUG.21.2006	

GOLD-TEK ELECTRIC CO., LTD.

TITLE: SD MEMORY CARD SECURE DIGITAL (STANDARD)
 CPART NO.

PART NO. SDMS09TW-01L/RH
 CAD NO. I001
 F:\PDF\CF\CF-0029

SHEET 1 OF 1

圖面編號:GTKSD1411-B(1)