



INSTALLATION INSTRUCTIONS FOR A2RC CONDUIT GLAND

CONDUIT GLAND FOR USE WITH UNARMoured AND BRAID ARMoured CABLES

CONDUIT GLAND TYPE A2RC



F1449		
	REVISION	DATE
IFS	2	10/11/16

TECHNICAL DATA

CABLE GLAND TYPE	: A2RC
INGRESS PROTECTION	: IP66
PROCESS CONTROL SYSTEM	: BS EN ISO 9001
	: ISO/IEC 80079-34:2011

ACCESSORIES

The following accessories are available from CMP Products, as optional extras, to assist with fixing, sealing and earthing: Locknut, Earth Tag, Serrated Washer, Entry Thread (I.P.) Sealing Washer, Shroud

Cable Gland Size	Available Entry Threads (Alternate Metric Thread Lengths Available)					Overall Cable Diameter		Across Flats	Across Corners	Female Conduit Connection	Protrusion Length	Combined Ordering Reference (*Brass Metric male & female)			Shroud	Cable Gland Weight (Kgs)
	Metric	Standard		Option		Min	Max	Max	Max			Size	Type	Ordering Suffix		
		Thread Length (Metric)	NPT	Thread Length (NPT)	NPT											
20s16	M20	10.0	1/2"	19.9	3/4"	3.2	8.7	24.0	26.4	M20	43.6	20S16	A2RC	1RA	PVC04	0.100
20S	M20	10.0	1/2"	19.9	3/4"	6.1	11.7	24.0	26.4	M20	43.6	20S	A2RC	1RA	PVC04	0.100
20	M20	10.0	1/2"	19.9	3/4"	6.5	14.0	27.0	29.7	M20	42.4	20	A2RC	1RA	PVC05	0.100
25	M25	10.0	3/4"	20.2	1"	11.1	20.0	36.0	39.6	M25	50.4	25	A2RC	1RA	PVC09	0.190
32	M32	10.0	1"	25.0	1 1/4"	17.0	26.3	41.0	45.1	M32	50.7	32	A2RC	1RA	PVC10	0.230
40	M40	15.0	1 1/4"	25.6	1 1/2"	23.5	32.2	50.0	55.0	M40	51.4	40	A2RC	1RA	PVC13	0.330
50S	M50	15.0	1 1/2"	26.1	2"	31.0	38.2	55.0	60.5	M50	55.2	50S	A2RC	1RA	PVC15	0.430
50	M50	15.0	2"	26.9	2 1/2"	35.6	44.0	60.0	66.0	M50	62.0	50	A2RC	1RA	PVC18	0.440
63S	M63	15.0	2"	26.9	2 1/2"	41.5	49.9	70.5	77.6	M63	58.4	63S	A2RC	1RA	PVC21	0.720
63	M63	15.0	2 1/2"	39.9	3"	47.2	55.9	75.0	82.5	M63	61.5	63	A2RC	1RA	PVC23	0.640
75S	M75	15.0	2 1/2"	39.9	3"	54.0	61.9	79.0	88.0	M75	63.2	75S	A2RC	1RA	PVC26	0.900
75	M75	15.0	3"	41.5	3 1/2"	61.1	67.9	84.0	92.4	M75	68.6	75	A2RC	1RA	PVC26	0.800
90	M90	24.0	3 1/2"	42.8	4"	66.6	79.9	108.0	118.8	M90	94.2	90	A2RC	1RA	PVC31	2.200

Dimensions are displayed in millimetres unless otherwise stated

Note: Standard Seal (Black) Temperature Range = -60°C to +130°C,
High Temperature Seal (Brown) Temperature Range = -20°C to +200°C for High Temperature Seal add 'HT' to Ordering Reference after Gland Type e.g. 20SA2RCHT1RA.



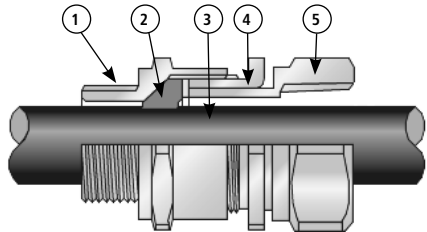
Glasshouse Street • St. Peters • Newcastle upon Tyne • NE6 1BS
Tel: +44 191 265 7411 • Fax: +44 1670 715 646
E-Mail: customerservices@cmp-products.co.uk • Web: www.cmp-products.com



INSTALLATION INSTRUCTIONS FOR CMP CABLE GLAND TYPES A2RC

CABLE GLAND COMPONENTS - It is not necessary to dismantle the cable gland any further than illustrated below

- 1. Entry Item
- 2. Seal
- 3. Skid Washer
- 4. Seal Nut
- 5. Conduit Coupling

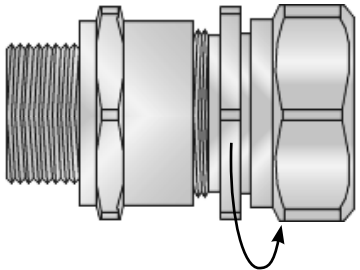


PLEASE READ ALL INSTRUCTIONS CAREFULLY BEFORE BEGINNING THE INSTALLATION

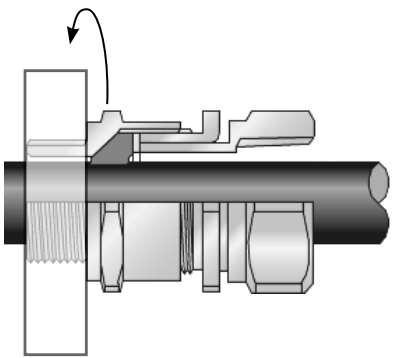
1. The A2RC cable gland is suitable for all types of unarmoured cables, providing a flameproof seal on the outer sheath of the cable. It also has a rotating female-threaded coupling at the rear of the gland to allow the attachment of conduit.

This gland can also be used with braided cables where sealing is made on the cable outer sheath and the braid is earthed inside the equipment when this arrangement is allowed by the prevailing installation code of practice.

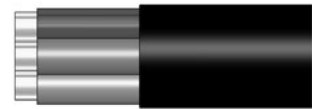
2. There is no need to dismantle the cable gland prior to installation. Simply slacken the Seal Nut (4) to relax the seal (2).



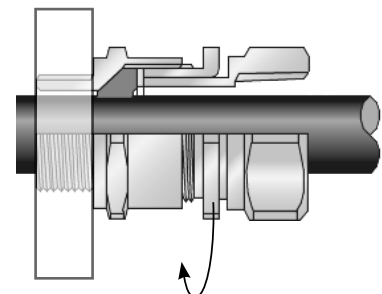
3. Fit the gland into the equipment and fully tighten the Entry Item (1).



4. Determine the conductor length required to suit the installation and prepare the cable accordingly, removing part of the outer sheath where required to reveal the insulated conductors.



5. Pass the cable through the gland to the desired position, then tighten the seal nut by hand until resistance is felt (when the seal contacts the cable). Tighten with a spanner one further turn.



6. Attach the conduit to the Conduit Coupler (5) and fully tighten. Ensure that the Seal Nut (4) does not come loose during this process by holding it with a spanner.

