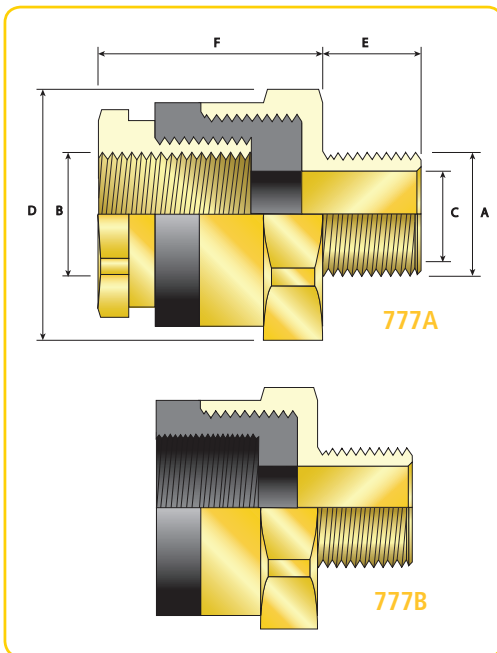


777 Ex e Ex d Ex ta

777 Insulated Adaptor, Globally Approved, Explosive Atmosphere Cable / Conduit Accessory

- Isolates metallic Cable Glands from equipment
- Essential in areas of high electromagnetic noise
- Particularly relevant in power plants
- General purpose / industrial version available
- Can be supplied with thread conversion
- -60°C to +130°C
- Globally marked, IECEx, ATEX & cCSAus



TECHNICAL DATA	
Design Specification	BS 6121:Part 1:1989, IEC 62444, EN 62444
Enclosure Protection	IK10 to IEC 62262 (20 joules) Brass & Stainless Steel Only
ATEX Certificate	SIRA10ATEX1057U
Code of Protection	Ⓔ II 2 GD Ex d IIC Gb / Ex e IIC Gb / Ex ta IIIC Da
Compliance Standards	EN 60079-0,1,7,31
IECEx Certificate	IECEx SIR 10.0027U
Code of Protection	Ex d IIC Gb / Ex e IIC Gb / Ex ta IIIC Da
Compliance Standards	IEC 60079-0,1,7,31
cCSAus Certificate	1055233
Code of Protection	Class I, Groups A, B, C and D; IP66, 67, 68; Enclosure Type 4X; DIP A; Ex de II, Class I, Zone 1, AEx de II;
Compliance Standards	C22.2 No. 0, 0.5, 30, 94, CAN/CSA E60079-0,1,2, UL 50 Edition 11, UL 1203 Edition 4, UL 60079 parts 0,1,7
EAC Certificate (Formerly GOST R, K & B)	TC RU C-GB.ГБ05.В00138
CCOE / PESO (India) Certificate	P333688
INMETRO Approval	TÜV 12.1331U
RETIE Approval	03866
Marine Approvals	LR5: 01/00172 (E1), ABS: 01-LD234401C/2-PDA,
Ingress Protection Rating	IP66, iP67 & IP68 (when fitted with CMP sealing accessories)
Available Materials	Brass, Electroless Nickel Plated Brass, Aluminium, Stainless Steel

HOW TO ORDER

e.g. 777 - D - A - M - 3 - M - 3 - 5
 = Dual Certified Ex d & Ex e - Type A - M25 (M) x M25 (F) - Nickel Plated Brass

Marked with ATEX, IECEx and cCSAus certification details as standard.

Other thread variations are available.

Please refer to ordering guide tables in 'Ordering Accessories' for further information

Product Selection Table							
Ordering Reference	Male Thread Size "A"	Minimum Thread Length "E"	Female Thread Size "B"	Maximum Bore Diameter "C"	Normal Protrusion Length "F" (Type A)	Across Flats "D"	Across Corners "D"
777DAM2M2	M20 X 1.5	15.0	M20 X 1.5	14.0	37.8	36.0	39.6
777DAM3M3	M25 X 1.5	15.0	M25 X 1.5	20.0	36.2	46.0	50.6
777DAM4M4	M32 X 1.5	15.0	M32 X 1.5	26.3	35.7	55.0	60.5
777DAM5M5	M40 X 1.5	15.0	M40 X 1.5	32.1	35.7	70.1	77.1
777DAM6M6	M50 X 1.5	15.0	M50 X 1.5	44.2	36.7	80.0	88.0
777DAM7M7	M63 X 1.5	15.0	M63 X 1.5	53.0	38.2	100.0	110.0
777DAM8M8	M75 X 1.5	15.0	M75 X 1.5	64.8	41.2	110.0	123.0
777DAM9M9	M90 X 2.0	24.0	M90 X 2.0	79.3	52.7	132.2	135.5

All dimensions shown are in millimetres unless otherwise stated