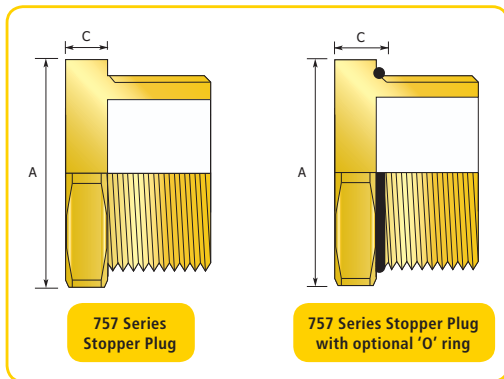




757 Ex e Ex d Ex ta

757 Hexagon Head Stopper Plug, Globally Approved, Explosive Atmosphere Cable / Conduit Accessory

- Provides means of blanking unused cable entries
- Temporary or permanent
- General purpose / industrial version available
- Equipment interface 'O' ring seal available
- Nylon Ex e only version available (-20°C to +60°C)
- -60°C to 200°C (metallic versions)
- Globally marked, IECEx, ATEX, cCSAus & UL



HOW TO ORDER

e.g. 757 - D - M - 3 - 1
 = Dual Certified Ex d & Ex e - M25 - Aluminium
 Marked with ATEX, IECEx and cCSAus certification details as standard.
 Other thread variations are available.
 Please refer to ordering guide tables in 'Ordering Accessories' for further information

Description	Allen key recess	Metallic			Non-Metallic	
		Ex "d"	Ex "e"	Industrial	Ex "e"	Industrial
747 Recessed Non-Tamper Proof Type 'A'	✓	✓	✓	✓	✓	✓
747 Recessed Tamper Proof Type 'B'	✓	✓	✓	✓	✓	✓
757 Hexagon Head	x	✓	✓	✓	✓	✓
757 Hexagon Head c/w 'O' ring seal	x	✓	✓	✓	✓	✓
767 Dome Head	✓	✓	✓	✓	✓	✓
767 Dome Head c/w 'O' ring seal	✓	✓	✓	✓	✓	✓

TECHNICAL DATA	
Design Specification	BS 6121:Part 1:1989, IEC 62444, EN 62444
Enclosure Protection	IK10 to IEC 62262 (20 joules) Brass & Stainless Steel Only
ATEX Certificate	SIRA13ATEX1265X
Code of Protection	⊕ II 2G Ex d IIC Gb, Ex e IIC Gb, II 1D Ex ta IIIC Da ⊕ IM2 Ex d I Mb, Ex e I Mb (II 2G Ex e IIC Gb, II 1D Ex ta IIIC Da only on Nylon version)
Compliance Standards	EN 60079-0,1,7, 31
IECEx Certificate	IECEx SIR 13.0094X
Code of Protection	Ex d I Mb, Ex e I Mb; Ex d IIC Gb, Ex e IIC Gb, Ex ta IIIC Da
Compliance Standards	IEC 60079-0,1, 7, 31
cCSAus Certificate	1055233
Code of Protection	Ex e II, Class I, Zone 1, AEx e II; IP66, 67, 68; Enclosure Type 4X; Class II Groups E, F and G; Class III
Compliance Standards	C22.2 No. 0, 0.5, 30,94,CAN/CSA E60079-0, 1, 7, UL50 Edition 11, UL1203 Edition 4, UL 60079-0, 1, 7
UL Certificate	E214221
Code of Protection	Class I Div 1 & 2, Groups A,B,C,D; Class II Groups E,F,G; Class III
Compliance Standards	UL 1203
EAC Certificate (Formerly GOST R, K & B)	TC RU C-GB.ГБ05.В00138
UkrSEPRO	UA.TR.047.C.0644-15
KCS Certificate	14-GA4B0-0255X
CCOE / PESO (India) Certificate	P333688
NEPSI Certificate	GYJ13.1143X
INMETRO Approval	TÜV 12.1333X
RETIE Approval	03866
Marine Approvals	LRS: 01/00173 (E1) DNV: E-13848 ABS: 01-LD234401C/2-PDA, BV: 43180/A1
Continuous Operating Temperature	-60°C to +200°C (Metallic), -20°C to +60°C (Nylon)
Ingress Protection Rating	IP66, IP67 & IP68 when fitted with a CMP 'O' ring or Entry Thread Seal**
Available Materials	Brass, Electroless Nickel Plated Brass, Aluminium, Stainless Steel, Nylon

* Dimensions shown for metric threads alternative thread dimensions may vary
 ** Refer to page 7 or www.cmp-products.com for further information on Ingress Protection Ratings

Product Selection Table*					
Ordering Reference	Thread Size	Minimum Thread Length	Across Flats "A"	Across Corners Diameter	Protrusion Length "C"
757DM1	M16 X 1.5	15.0	22.0	24.2	5.0
757DM2	M20 X 1.5	15.0	24.0	26.4	5.0
757DM3	M25 X 1.5	15.0	30.0	33.0	5.0
757DM4	M32 X 1.5	15.0	36.0	39.6	5.0
757DM5	M40 X 1.5	15.0	46.0	50.6	5.0
757DM6	M50 X 1.5	15.0	55.0	60.5	5.0
757DM7	M63 X 1.5	15.0	70.0	77.0	5.0
757DM8	M75 X 1.5	15.0	80.0	88.0	5.0
757DM9	M90 X 2.0	24.0	99.0	108.9	5.0
757DM10	M100 x 2.0	24.0	108.0	118.8	5.0

All dimensions shown are in millimetres unless otherwise stated