

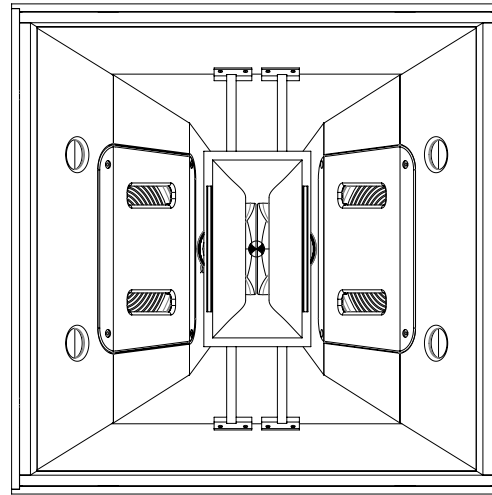


# PD764i-215

High Output Full Range loudspeakers System

## Features:

- ▶ Three-way full range very high output loudspeaker system
- ▶ Dual JBL 2432H, 38 mm (1.5 in) exit compression driver, 75 mm (3 in) voice coil
- ▶ Dual JBL CMCD-82H Cone Midrange Compression Driver with integral 200 mm (8 in) diameter Differential Drive® dual voice coil - dual magnetic gap
- ▶ Dual JBL 2265H 15" Diameter Dual (3 in) dual voice coil - dual magnetic gap, Neodymium Differential Drive® Direct Cooled™ Transducer
- ▶ 60° by 40° Coverage Pattern
- ▶ Pattern Control to 500 Hz
- ▶ Rugged DuraFlex™ exterior finish with WRC and WRX weather protections also available



## Applications:

- ▶ Stadiums
- ▶ Ball Parks
- ▶ Arenas
- ▶ Race Tracks

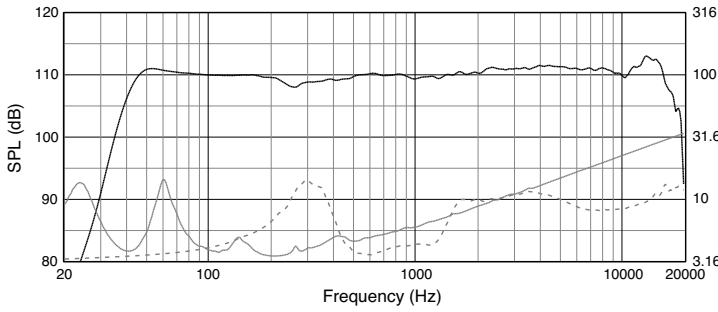
The PD764i-215 Precision Directivity™ 3-way full-range loudspeaker provides high-impact sound reinforcement at throw distances that are beyond the reach of single-driver designs. A single module produces greater than 104 dB SPL (continuous) at distances of 50 m (165 ft).

The PD764 may be used in clusters with other PD family modules or singly as part of a distributed system. The PD764i-215 has the same mid-high features as the PD764i. With the addition of two 2265H 15" Differential Drive® dual voice coil - dual magnetic gaps the low-frequency response is extended to 42 Hz.

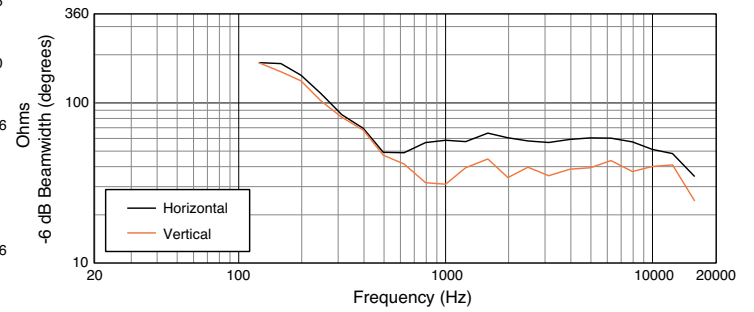
## Specifications:

Frequency Range (+/-10 dB):	36.5 Hz to 19.5 kHz
Frequency Response (+/-3 dB):	41.5 Hz - 18.5 kHz
Coverage Pattern:	60° x 40°
Directivity Index:	13 dB
System Sensitivity (1W @ 1m):	LF: 103 dB SPL; Passive Mid-High: 110 dB SPL
Maximum Peak SPL: (Bi-amplified mode):	LF - 141 dB Peak; MHF - 142 dB Peak
Transducer Power Rating (AES):	LF - 1000 W (4000 W Peak); MHF - 400 W (1600 W Peak)
Crossover:	Bi-Amp with passive mid/high crossover (Tri-Amp optional)
Crossover Frequencies:	220 Hz, 1.2 kHz
DSP:	Custom DSP for Crown ITHD and IT4x3500HD amplifiers
<b>Transducers:</b>	
Low Frequency Driver:	2 x JBL 2265H 380 mm (15 in) Differential Drive driver with 75 mm (3 in) dual voice coil
Midrange Frequency Driver:	2 x JBL CMCD-82H midrange driver with 200 mm (8 in) diameter Differential Drive® dual 75 mm (3 in) voice coil
High Frequency Driver:	2 x JBL 2432H, 38 mm (1.5 in) exit compression driver, 75 mm (3 in) voice coil
Nominal Impedance:	LF: 4 ohms MF: 4 ohms HF: 16 ohms
<b>Physical:</b>	
Enclosure:	Trapezoidal with Rectangular sides, combination of 18 mm and 16 mm (5/8 in) exterior grade birch plywood.
Enclosure WRC/WRX Version:	For direct exposure or extreme environments, fibreglassed with stainless steel hardware.
Grille:	Black powder coated zinc treated 14 gauge perforated steel with black foam backing.
Grille WRC/WRX Version:	Three layer grille assy consisting of 16-gauge powder coated S.S., backed with O.C. foam and S.S. mesh.
Input Connector:	NL4 for bi-amp operation or NL8 for tri-amp operation (optional)
Input Connectors WRC/WRX Version:	4 conductor 16 awg direct burial cable assy 20 ft length (or length TBD)
WRC/WRX Environmental Specifications:	IP55
Suspension Attachment:	52 total points (12 top and bottom, 11 each side, 6 back), M10 threaded hardware
Dimensions (H x W x D):	991 mm x 991 mm x 889 mm (39.0 x 39.0 x 35.0 in)
Net Weight:	295 lbs (134 kg)

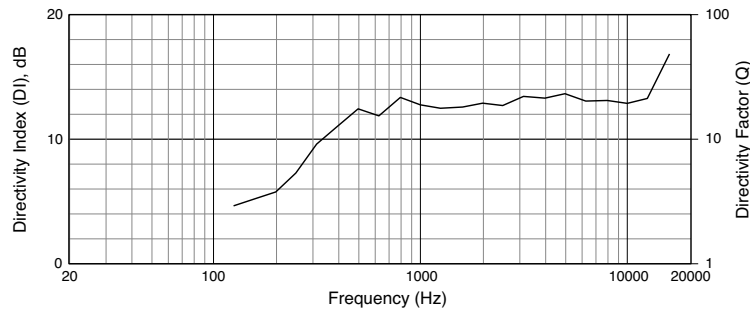
## Frequency Response



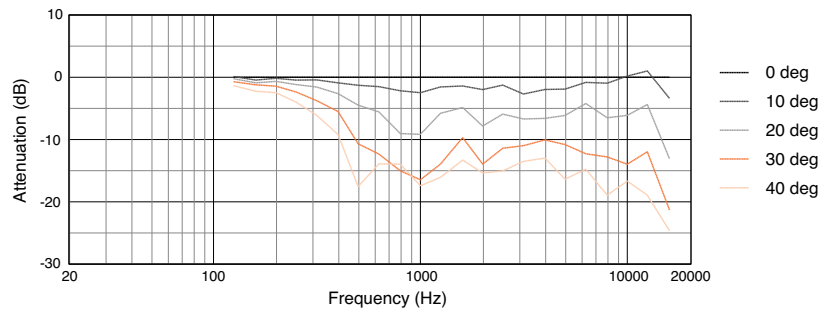
## Beamwidth



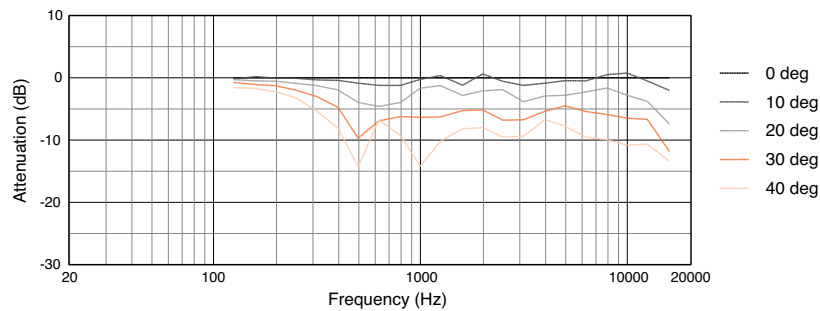
## Directivity Index



## Normalized Vertical

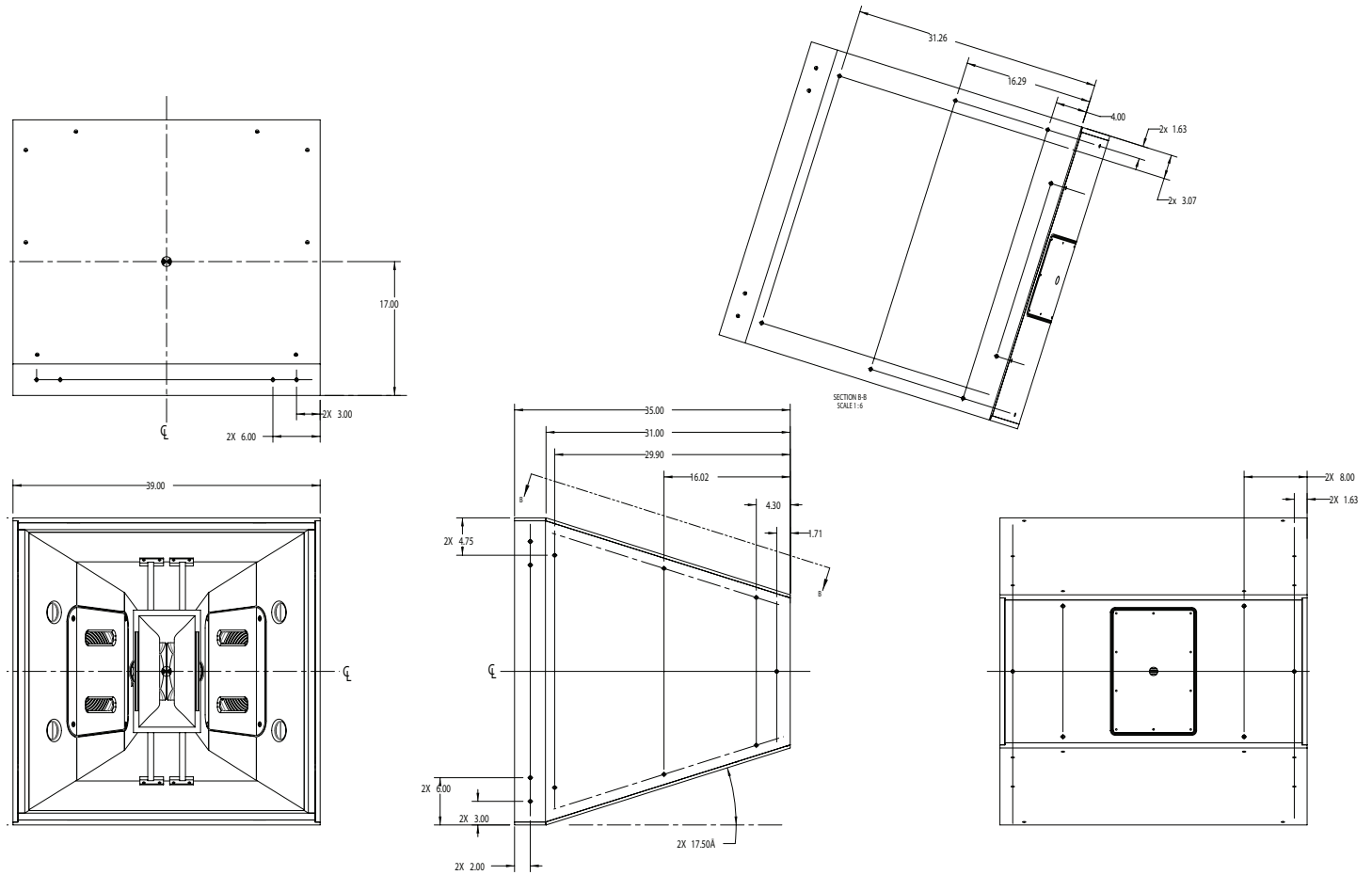


## Normalized Horizontal



▶ PD764i-215 High Output Full Range Loudspeaker System

Dimensions:



JBL Professional  
 8500 Balboa Boulevard, P.O. Box 2200  
 Northridge, California 91329 U.S.A.  
 © Copyright 2015 JBL Professional  
 www.jblpro.com