



SYSTIMAX Solutions®

North America Ordering Guide

(09/15)

Category 6A Products

SYSTIMAX 360™ GigaSPEED X10D® U/UTP Copper Cables	3
SYSTIMAX 360™ GigaSPEED X10D® Panels	4
SYSTIMAX 360™ GigaSPEED X10D® Information Outlets	5
SYSTIMAX 360™ GigaSPEED X10D® Patch Cords	5

Category 6 Products

SYSTIMAX 360™ GigaSPEED XL® Copper Cables	6
SYSTIMAX 360™ GigaSPEED XL® Panels	8
SYSTIMAX 360™ GigaSPEED XL® Information Outlets	9
SYSTIMAX 360™ GigaSPEED XL® Patch Cords	9

Category 5e Products

PowerSUM U/UTP Copper Cables	10
PowerSUM U/UTP Patch Panels	11
PowerSUM Information Outlets	11
PowerSUM Patch Cords	11

VisiPatch 360®

VisiPatch 360® Patch Panel Kits	12
VisiPatch 360® Cable Manager Kits	12
VisiPatch 360® GigaSPEED 4-pair Patch Cords	13
VisiPatch 360® 1-Pair Patch Cord	13
VisiPatch 360® to VisiPatch® GigaSPEED Hybrid Patch Cord	13

InstaPATCH® Cu

InstaPATCH® Cu Solutions	14
InstaPATCH® QUATTRO Solutions	15

Modular Panels

SYSTIMAX 360™ Modular Panels	16
M4800/M4800A 1U High Density Modular Panels	16
M2000 Modular Patch Panels	16
M2100 Modular Patch Panels	16

Coaxial Solutions

Coaxial Cable 75 Ω	17
ControlNet (RG-6)	19
Ethernet	19

Fiber Solutions

Premises Distribution	20
Indoor/Outdoor Single Unit Riser Distribution	20
All Dry Outside Plant Stranded Loose Tube Non-Armored All Dielectric	21
Adapter Panels (Ganged & Standard)	22
Fiber Optic Patch Cords	23

Fiber Closures	24
Adapters	24
Splice Wallet Kits	24
Fiber Optic Configurators	25

Fiber Connectivity

SYSTIMAX 360G2	
SYSTIMAX 360G2 Modular Fiber Shelves & Panels 1U, 2U & 4U	27
SYSTIMAX 360G2 Accessories	27
InstaPATCH 360 Modules	27
SYSTIMAX 360G2 Modular Cartridges	28
SYSTIMAX 360G2 Modular Distribution Panels	29
Fiber Optic Patch Cords Configurator	30
Fiber Connectors & Adapters	
Standard Fiber Optic Connectors	33
EZ Connectors	33
QWIK II Connectors®	34
Fiber Optic Connector Termination & Consumable Kits	34
Adapters	35

Infrastructure Management Solutions

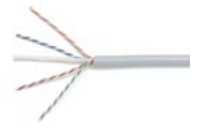
SYSTIMAX imVision®	36
iPatch® Infrastructure Management Copper Panels	36
iPatch® Infrastructure Management Fiber Optic Shelves	37
SYSTIMAX 360™ iPatch® Fiber Shelves & Modules	38

Faceplates

Stainless Steel Faceplates	39
Multimedia Faceplates	39
Modular Faceplates	39
Modular Outlet Wall Phone Faceplates	40
Modular Flush-Mount Faceplates	40
Modular Furniture Faceplates	41
Variable Furniture Faceplates	41
Designer Faceplates	41
Flexible Faceplates	42
Flexible Adapters	43
Flush Mount Modular Mounting Frames	43

Cable Management

19" Racks	44
Shelves	44
Filler Panels	44
Horizontal Cable Management	45
Vertical Cable Management	45



SYSTIMAX 360™ GigaSPEED X10D® U/UTP 1091B Non-Plenum Cables

MATERIAL ID	PRODUCT NUMBER	PAIR COUNT	JACKET COLOR	LENGTH	PACKAGING
760105759	1091B BL 4/23 R1000	4	Blue	1000 ft (305 m)	Reel
760107094	1091B BL 4/23 W1000	4	Blue	1000 ft (305 m)	We Tote Box
760105833	1091B BL 4/23 R3000	4	Blue	3000 ft (914 m)	Reel
760105871	1091B WH 4/23 R1000	4	White	1000 ft (305 m)	Reel
760107144	1091B WH 4/23 W1000	4	White	1000 ft (305 m)	We Tote Box
760105841	1091B WH 4/23 R3000	4	White	3000 ft (914 m)	Reel
760105114	1091B SL 4/23 R1000	4	Slate	1000 ft (305 m)	Reel
760107078	1091B SL 4/23 W1000	4	Slate	1000 ft (305 m)	We Tote Box
760105858	1091B SL 4/23 R3000	4	Slate	3000 ft (914 m)	Reel
760105767	1091B LB 4/23 R1000	4	Light Blue	1000 ft (305 m)	Reel
760107102	1091B LB 4/23 W1000	4	Light Blue	1000 ft (305 m)	We Tote Box
760105825	1091B YL 4/23 R1000	4	Yellow	1000 ft (305 m)	Reel
760107151	1091B YL 4/23 W1000	4	Yellow	1000 ft (305 m)	We Tote Box

SYSTIMAX 360™ GigaSPEED X10D® U/UTP 2091B Plenum Cables



MATERIAL ID	PRODUCT NUMBER	PAIR COUNT	JACKET COLOR	LENGTH	PACKAGING
760105338	2091B BL 4/23 R1000	4	Blue	1000 ft (305 m)	Reel
760107201	2091B BL 4/23 W1000	4	Blue	1000 ft (305 m)	We Tote Box
760105932	2091B SL 4/23 R1000	4	Slate	1000 ft (305 m)	Reel
760107250	2091B SL 4/23 W1000	4	Slate	1000 ft (305 m)	We Tote Box
760105940	2091B WH 4/23 R1000	4	White	1000 ft (305 m)	Reel
760107268	2091B WH 4/23 W1000	4	White	1000 ft (305 m)	We Tote Box
760105957	2091B YL 4/23 R1000	4	Yellow	1000 ft (305 m)	Reel
760107276	2091B YL 4/23 W1000	4	Yellow	1000 ft (305 m)	We Tote Box
760105965	2091B BL 4/23 R3000	4	Blue	3000 ft (914 m)	Reel
760105973	2091B WH 4/23 W1000	4	White	3000 ft (914 m)	Reel
760105981	2091B SL 4/23 R3000	4	Slate	3000 ft (914 m)	Reel



SYSTIMAX 360™ GigaSPEED X10D® 1100GS6 Panels

MATERIAL ID	PRODUCT NUMBER	DESCRIPTION	iPATCH READY
760152587	360-IPR-1100-E-GS6-1U-24	360 1100GS6 24-Port Evolve Patch Panel	X
760152595	360-IPR-1100-E-GS6-2U-48	360 1100GS6 48-Port Evolve Patch Panel	X
760151324	360-IPR-1100A-E-GS6-1U-24	360 1100GS6 24-Port Evolve Angled Patch Panel	X
760151779	360-IPR-1100A-E-GS6-2U-48	360 1100GS6 48-Port Evolve Angled Patch Panel	X



MATERIAL ID	PRODUCT NUMBER	DESCRIPTION	iPATCH READY
760151183	360-IPR-1100-GS6-DM6	360 1100GS6 Evolve Distribution Module 6-Port	
760155739	360-E-KIT-1U	360 1U Evolve Panel Kit for both GS6 and GS3	X
760155747	360-E-KIT-2U	360 2U Evolve Panel Kit for both GS6 and GS3	X
760152785	360-A-E-KIT-1U	360 Angled 1U Evolve Panel Kit for both GS6 and GS3	X
760152793	360-A-E-KIT-2U	360 Angled 2U Evolve Panel Kit for both GS6 and GS3	X
760183244	360 and UNP Label Sheet US LTR	Label Sheet for 360 and Universal Panels, US letter	
760186502	360 and UNP Label Sheet A4	Label Sheet for 360 and Universal Panels, A4	

*Additional 1100GS6 products can be located in eCatalog on www.commscope.com or in the SYSTIMAX 360 Product Guide.

*Additional iPatch® Ready Modules, Panels and Shelves can be found in the Fiber Connectivity and iPatch Infrastructure Management Sections.

SYSTIMAX 360™ GigaSPEED X10D® PATCHMAX GS6 Panels



MATERIAL ID	PRODUCT NUMBER	DESCRIPTION	iPATCH READY
760102251	360-PM-GS6-2U-24	360 PATCHMAX GS6 24-Port Patch Panel	X
760128207	360-PM-GS6-2U-48	360 PATCHMAX GS6 48-Port Patch Panel	X

MATERIAL ID	PRODUCT NUMBER	DESCRIPTION	iPATCH READY
760102277	360-PM-GS6-DM6	360 PATCHMAX GS6 6-Port Distribution Module Kit	
760128215	360-PM-GS6-DM12	360 PATCHMAX GS6 12-Port Distribution Module Kit	
760108993	360-PM-KIT-2U-24	360 PATCHMAX 2U Panel Kit, 24-Port	
760117408	360-PM-KIT-2U-48	360 PATCHMAX 2U Panel Kit, 48-Port	
760183244	360 and UNP Label Sheet US LTR	Label Sheet for 360 and Universal Panels, US letter	
760186502	360 and UNP Label Sheet A4	Label Sheet for 360 and Universal Panels, A4	

*Additional iPatch® Ready Modules, Panels and Shelves can be found in the Fiber Connectivity and iPatch Infrastructure Management Sections.



SYSTIMAX 360™ GigaSPEED X10D® MGS600 Series Information Outlet

MATERIAL ID	PRODUCT NUMBER	COLOR	QUANTITY/PKG.
760092361	MGS600-003	Black	1
760092379	MGS600-112	Orange	1
760092387	MGS600-123	Yellow	1
760092403	MGS600-226	Green	1
760092411	MGS600-246	Ivory	1
760092429	MGS600-262	White	1
760092437	MGS600-270	Gray	1
760092445	MGS600-317	Red	1
760092452	MGS600-318	Blue	1
760092460	MGS600-361	Violet	1
760092478	MGS600-148	Almond	1

*Also available in bulk packs of 100



SYSTIMAX 360™ GigaSPEED X10D® 360GS10E Modular Patch Cords

MATERIAL ID	PRODUCT NUMBER	DESCRIPTION	MODULAR JACK COLOR	CORD COLOR OPTIONS	UOM	CABLE/CORDAGE LENGTH OPTIONS
CPCSSX2	360GS10E	360GS10E Solid Cordage	0	1,2,3,4,6,7,8,9,B,C,Z	F, M	3-100ft / 1-30m
CPCSSY2	360GS10E-P	360GS10E Solid Plenum Cordage	0	1,4,6,7,8,9,C,Z	F, M	3-100ft / 1-30m
CPCSSZ2	360GS10E-L	360GS10E Solid LSZH Cordage	0	1,2,3,4,6,7,8,9,B,C,Z	F, M	3-100ft / 1-30m
CPCS4X2	360GS10E117	360GS10E Single-ended Solid Cordage	0	1,2,3,4,6,7,8,9,B,C,Z	F, M	3-100ft / 1-30m
CPCS4Y2	360GS10E117-P	360GS10E Single-ended Solid Plenum Cordage	0	1,4,6,7,8,9,C,Z	F, M	3-100ft / 1-30m
CPCS4Z2	360GS10E117-L	360GS10E Single-ended Solid LSZH Cordage	0	1,2,3,4,6,7,8,9,B,C,Z	F, M	3-100ft / 1-30m

Ordering Material ID Example: **C P C S S X 2 - 0 2 F 0 0 7**

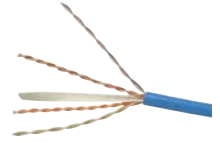
Information regarding T568A standard (A-wired) patch cord is available from your local sales representative.
 *SecureMAX Patch Cords and Accessories are not available for sale in Europe, Russia, Australia and Japan.
 Please contact your local sales representative to check availability in your country.



SYSTIMAX 360™ GigaSPEED XL® U/UTP 1071E Non-Plenum Cables

MATERIAL ID	PRODUCT NUMBER	PAIR COUNT	JACKET COLOR	LENGHT	PACKAGING
760004697	1071E BL 4/23 R1000	4	Blue	1000 ft (305 m)	Reel
760004689	1071E BL 4/23 W1000	4	Blue	1000 ft (305 m)	We Tote Box
760080671	1071E BL 4/23 R3000	4	Blue	3000 ft (914 m)	Reel
700214208	1071E WH 4/23 R1000	4	White	1000 ft (305 m)	Reel
760040089	1071E WH 4/23 R3000	4	White	3000 ft (914 m)	Reel
700212046	1071E WH 4/23 W1000	4	White	1000 ft (305 m)	We Tote Box
700211923	1071E SL 4/23 R1000	4	Slate	1000 ft (305 m)	Reel
760040097	1071E SL 4/23 R3000	4	Slate	3000 ft (914 m)	Reel
700211931	1071E SL 4/23 W1000	4	Slate	1000 ft (305 m)	We Tote Box
700211956	1071E LB 4/23 R1000	4	Light Blue	1000 ft (305 m)	Reel
760040105	1071E LB 4/23 R3000	4	Light Blue	3000 ft (914 m)	Reel
700211964	1071E LB 4/23 W1000	4	Light Blue	1000 ft (305 m)	We Tote Box
700211980	1071E YL 4/23 R1000	4	Yellow	1000 ft (305 m)	Reel
760080689	1071E YL 4/23 R3000	4	Yellow	3000 ft (914 m)	Reel
700211998	1071E YL 4/23 W1000	4	Yellow	1000 ft (305 m)	We Tote Box

* Other colors available, contact your local sales representative



SYSTIMAX 360™ GigaSPEED XL® U/UTP 2071E Plenum Cables

MATERIAL ID	PRODUCT NUMBER	PAIR COUNT	JACKET COLOR	LENGHT	PACKAGING
700210081	2071E BL 4/23 R1000	4	Blue	1000 ft (305 m)	Reel
700210099	2071E BL 4/23 R3000	4	Blue	3000 ft (914 m)	Reel
700208093	2071E BL 4/23 W1000	4	Blue	1000 ft (305 m)	We Tote Box
700210032	2071E WH 4/23 R1000	4	White	1000 ft (305 m)	Reel
700210057	2071E WH 4/23 R3000	4	White	3000 ft (914 m)	Reel
700208101	2071E WH 4/23 W1000	4	White	1000 ft (305 m)	We Tote Box
700210198	2071E SL 4/23 R1000	4	Slate	1000 ft (305 m)	Reel
760005652	2071E SL 4/23 R3000	4	Slate	3000 ft (914 m)	Reel
700214372	2071E SL 4/23 W1000	4	Slate	1000 ft (305 m)	We Tote Box
700210131	2071E YL 4/23 R1000	4	Yellow	1000 ft (305 m)	Reel
760047555	2071E YL 4/23 R3000	4	Yellow	3000 ft (914 m)	Reel
700210123	2071E YL 4/23 W1000	4	Yellow	1000 ft (305 m)	We Tote Box

* Other colors available, contact your local sales representative



SYSTIMAX 360™ GigaSPEED XL® 1100GS3 Panels

MATERIAL ID	PRODUCT NUMBER	DESCRIPTION	iPATCH READY
760152561	360-IPR-1100-E-GS3-1U-24	360 1100GS3 24-Port Evolve Patch Panel	X
760152579	360-IPR-1100-E-GS3-2U-48	360 1100GS3 48-Port Evolve Patch Panel	X
760151308	360-IPR-1100A-E-GS3-1U-24	360 1100GS3 24-Port Evolve Angled Patch Panel	X
760151753	360-IPR-1100A-E-GS3-2U-48	360 1100GS3 48-Port Evolve Angled Patch Panel	X

MATERIAL ID	PRODUCT NUMBER	DESCRIPTION	iPATCH READY
760151167	360-IPR-1100-GS3-DM6	360 1100GS3 Evolve Distribution Module 6-Port	
760155739	360-E-KIT-1U	360 1U Evolve Panel Kit for both GS6 and GS3	X
760155747	360-E-KIT-2U	360 2U Evolve Panel Kit for both GS6 and GS3	X
760152785	360-A-E-KIT-1U	360 Angled 1U Evolve Panel Kit for both GS6 and GS3	X
760152793	360-A-E-KIT-2U	360 Angled 2U Evolve Panel Kit for both GS6 and GS3	X
760183244	360 and UNP Label Sheet US LTR	Label Sheet for 360 and Universal Panels, US letter	
760186502	360 and UNP Label Sheet A4	Label Sheet for 360 and Universal Panels, A4	

*Additional 1100GS3 products can be located in eCatalog on www.commscope.com.

*Additional iPatch® Ready Modules, Panels and Shelves can be found in the Fiber Connectivity and iPatch Infrastructure Management Sections.

SYSTIMAX 360™ GigaSPEED XL® PATCHMAX® GS3 Panels



MATERIAL ID	PRODUCT NUMBER	DESCRIPTION	iPATCH READY
760102244	360-PM-GS3-2U-24	360 PATCHMAX GS3 24-Port Patch Panel	X
760117366	360-PM-GS3-2U-48	360 PATCHMAX GS3 48-Port Patch Panel	X

MATERIAL ID	PRODUCT NUMBER	DESCRIPTION	iPATCH READY
760108993	360-PM-KIT-2U-24	360 PATCHMAX 2U Panel Kit, 24-Port	X
760117408	360-PM-KIT-2U-48	360 PATCHMAX 2U Panel Kit, 48-Port	X
760117382	360-PM-GS3-DM-12	360 PATCHMAX GS3 12-Port Distribution Module Kit	
760183244	360 and UNP Label Sheet US LTR	Label Sheet for 360 and Universal Panels, US letter	
760186502	360 and UNP Label Sheet A4	Label Sheet for 360 and Universal Panels, A4	

*Additional PATCHMAX GS3 products can be located in eCatalog on www.commscope.com or in the SYSTIMAX 360 Product Guide.



SYSTIMAX 360™ GigaSPEED XL® MGS400 Information Outlet

MATERIAL ID	PRODUCT NUMBER	COLOR	QUANTITY/PKG.
700206667	MGS400-003	Black	1
700206683	MGS400-112	Orange	1
700206691	MGS400-123	Yellow	1
700206709	MGS400-226	Green	1
700206725	MGS400-262	White	1
700206741	MGS400-317	Red	1
700206758	MGS400-318	Blue	1
700206675	MGS400-361	Violet	1
760070326	MGS400-215	Misty Cream	1
700206717	MGS400-246	Ivory	1
700206733	MGS400-270	Gray	1

*Also available in bulk packs of 100



SYSTIMAX 360™ GigaSPEED XL® GS8E Modular Patch Cords (U/UTP)

MATERIAL ID	PRODUCT NUMBER	DESCRIPTION	MODULAR JACK COLOR	CORD COLOR OPTIONS	UOM	CABLE/CORDAGE LENGTH OPTIONS
CPC3312	GS8E	GS8E Stranded Cordage Modular Patch Cord	0	1,2,3,4,6,7,8,9,B,Z	F, M	1-100ft / 1-30m
CPC3372	GS8E-SP	GS8E Solid Plenum Cable Modular Cord	0	1,4,6,7,8,9,B,C,Z	F, M	1-100ft / 1-30m
CPC3392	GS8E-L	GS8E Stranded LSZH Cordage	0	2,4,6,7,8,9,B,Z	F, M	1-100ft / 1-30m
CPC3482	GS8E117-S	GS8E Single-ended Solid Cable	0	1,2,3,4,6,7,8,9,B,C,Z	F, M	1-100ft / 1-30m
CPC3472	GS8E117-SP	GS8E Single End Solid Plenum Modular Cord	0	1,4,6,7,8,9,B,C,Z	F, M	1-100ft / 1-30m
CPC3422	GS8E117-SL	GS8E Single-ended Solid LSZH Cable	0	8	F, M	1-100ft / 1-30m

Ordering Material ID Example: **C P C 3 3 1 2 - 0 1 F 0 0 1**



PowerSUM U/UTP 1061B Series Non-Plenum Cables

MATERIAL ID	PRODUCT NUMBER	PAIR COUNT	JACKET COLOR	LENGHT	PACKAGING
107251696	1061B BL 4/24 W1000	4	Blue	1000 ft (305 m)	We Tote Box
107819575	1061B WH 4/24 W1000	4	White	1000 ft (305 m)	We Tote Box
107091936	1061B SL 4/24 W1000	4	Slate	1000 ft (305 m)	We Tote Box
760004671	1061C BL 4/24 W1000	4	Blue	1000 ft (305 m)	We Tote Box
107147787	1061C WH 4/24 W1000	4	White	1000 ft (305 m)	We Tote Box
106836950	1061C SL 4/24 W1000	4	Slate	1000 ft (305 m)	We Tote Box

PowerSUM U/UTP 2061F Series Plenum Cables



MATERIAL ID	PRODUCT NUMBER	PAIR COUNT	JACKET COLOR	LENGHT	PACKAGING
760049643	2061F BL 4/24 R3000	4	Blue	3000 ft (914 m)	Reel
760041913	2061F BL 4/24 W1000	4	Blue	1000 ft (305 m)	We Tote Box
760049650	2061F WH 4/24 R3000	4	White	3000 ft (914 m)	Reel
760041921	2061F WH 4/24 W1000	4	White	1000 ft (305 m)	We Tote Box
760049668	2061F SL 4/24 R3000	4	Slate	3000 ft (914 m)	Reel
760041939	2061F SL 4/24 W1000	4	Slate	1000 ft (305 m)	We Tote Box
760103051	2061B WH 25/24 R4000	25	White	4,000 ft (1,219 m)	Reel
760103044	2061B WH 25/24 R1000	25	White	1000 ft (305 m)	Reel



PowerSUM Modular Patch Panels

MATERIAL ID	PRODUCT NUMBER	DESCRIPTION
760182907	1100-U-PS 24	1100 Universal PS Panel 24 Port
760182915	1100-U-PS 48	1100 Universal PS Panel 48 Port
760182923	1100A-U-PS-24	1100 Angled Universal PS Panel 24 Port
760182931	1100A-U-PS-48	1100 Angled Universal PS Panel 48 Port
760183244	360 and UNP Label Sheet US LTR	Label Sheet for 360 and Universal Panels, US letter
760186502	360 and UNP Label Sheet A4	Label Sheet for 360 and Universal Panels, A4



PATCHMAX® PowerSUM 1100PS Patch Panels

MATERIAL ID	PRODUCT NUMBER	DESCRIPTION
760205260	PM2150PSE-24	PATCHMAX PowerSUM Patch Panel, 24-Port
760205278	PM2150PSE-48	PATCHMAX PowerSUM Patch Panel, 48-Port



PowerSUM Information Outlets

MATERIAL ID	PRODUCT NUMBER	WIRING	COLOR	QUANTITY
108232695	MPS100E-003	T568A, T568B	Black	1
108232703	MPS100E-112	T568A, T568B	Orange	1
108232711	MPS100E-123	T568A, T568B	Yellow	1
108232729	MPS100E-226	T568A, T568B	Green	1
108232737	MPS100E-246	T568A, T568B	Electrical Ivory	1
108232745	MPS100E-262	T568A, T568B	Electrical White	1
108232752	MPS100E-270	T568A, T568B	Electrical Gray	1
108232760	MPS100E-317	T568A, T568B	Red	1
108232778	MPS100E-318	T568A, T568B	Blue	1
108337726	MPS100E-361	T568A, T568B	Violet	1
108480484	MPS100E-215	T568A, T568B	Misty Cream	1



PowerSUM D8PS Modular Patch Cord

MATERIAL ID	PRODUCT NUMBER	DESCRIPTION	JACK COLOR	CORD COLOR OPTIONS	UOM	CABLE/CORDAGE LENGTH OPTIONS
CPC6442	D8PS	D8PS Single End Stranded Cordage Modular Patch Cord, T568B	0	1,2,3,4,6,7,8,9,B,Z	F, M	1-100ft / 1-30m
CPC6642	D8PS	D8PS Stranded Cordage Modular Patch Cord	0	1,2,3,4,6,7,8,9,B,Z	F, M	1-100ft / 1-30m
CPC6441	D8PS	D8PS Single End Stranded Cordage Modular Patch Cord, T568A	0	1,2,3,4,6,7,8,9,B,Z	F, M	1-100ft / 1-30m

Ordering Material ID Example: **C P C 6 6 4 2 - 0 2 F 0 0 7**



VisiPatch 360® Patch Panel Kits

MATERIAL ID	PRODUCT NUMBER	DESCRIPTION	CONTENTS
760049445	VP360-4U-32P	VisiPatch 360 4U (32-Ports) Kit	VisiPatch 360 Back Panel 4U, 1 VisiPatch 360 Wiring Block, 4 VisiPatch 360 Wiring Block Cover, 4 VisiPatch 360 Connecting Block, 32 VisiPatch Label Holder, 4 White Label, 12
760049452	VP360-12U-96P	VisiPatch 360 12U (96-Ports) Kit	VisiPatch 360 Back Panel 12U, 1 VisiPatch 360 Wiring Block, 12 VisiPatch 360 Wiring Block Cover, 12 VisiPatch 360 Connecting Block, 96 VisiPatch Label Holder, 12 White Label, 12



VisiPatch 360® Cable Manager Kits - Vertical

MATERIAL ID	PRODUCT NUMBER	DESCRIPTION	CONTENTS
760060285	VP360-12U-10VTCM	VisiPatch 360 12U Vertical Trough Cable Management Kit with Door, 10" wide	VisiPatch 360 12U VTCM Door, 1 4U Spacer Module, 3 4U Spacer Module Extender, 3 Macro Cable/Cord Retainer, 3



VisiPatch 360® Cable Manager Kits - Horizontal

MATERIAL ID	PRODUCT NUMBER	DESCRIPTION	CONTENTS
760060301	VP360-HCM-Kit-27	VisiPatch 360 Horizontal Cable Management Kit, 27" wide	4U Back Panel Base, 2 Horizontal CM Trough, 4 Horizontal Trough Cover, 2
760060343	VP360-HCM-Kit-19	VisiPatch 360 Horizontal Cable Management Kit, 19" wide	
760060863	VP360-HCM-Kit-29	VisiPatch 360 Horizontal Cable Management Kit, 29" wide	
760060871	VP360-HCM-Kit-37	VisiPatch 360 Horizontal Cable Management Kit, 37" wide	

VisiPatch 360®

Copper Solutions



VisiPatch 360® GigaSPEED X10D Patch Cords

MATERIAL ID	PRODUCT NUMBER	DESCRIPTION	JACK COLOR	CORD COLOR OPTIONS	UOM	CABLE/CORDAGE LENGTH OPTIONS
CPCFFX2	VP360T-VP360T-P8X10D	VisiPatch360 - VisiPatch360 X10D 4-pair Solid Cord T	0	1,2,3,4,6,7,8,9,B,C,Z	F, M	7-100ft / 2-30m
CPCFFZ2	VP360T-VP360T-P8X10D-L	VisiPatch 360 - VisiPatch 360 4 pair Solid LSZH Patch Cord T	0	1,2,3,4,6,7,8,9,B,C,Z	F, M	7-100ft / 2-30m
CPCFSX2	VP360T-360GS10E	VisiPatch360 - 360GS10E X10D 4-pair Solid Hybrid Cord T	0	1,2,3,4,6,7,8,9,B,C,Z	F, M	7-100ft / 2-30m
CPCFSZ2	VP360T-360GS10E-L	VisiPatch 360 - 360GS10E 4 pair Solid LSZH Patch Cord T	0	1,2,3,4,6,7,8,9,B,C,Z	F, M	7-100ft / 2-30m

Ordering Material ID Example: **CPCFFX2 - 0 3 F 0 0 7**

VisiPatch 360® GigaSPEED Xpress® Patch Cords

MATERIAL ID	PRODUCT NUMBER	DESCRIPTION	JACK COLOR	CORD COLOR OPTIONS	UOM	CABLE/CORDAGE LENGTH OPTIONS
CPCFFP2	VP360-VP360-P8XP	VisiPatch 360 - VisiPatch® 360 GigaSPEED Xpress™ 4 Pair Patch Cord	0	1,2,3,4,6,7,8,9,B,C,Z	F, M	1-100ft / 1-30m

Ordering Material ID Example: **CPCFFP2 - 0 3 F 0 0 7**

VisiPatch 360® GigaSPEED XL Patch Cords

MATERIAL ID	PRODUCT NUMBER	DESCRIPTION	JACK COLOR	CORD COLOR OPTIONS	UOM	CABLE/CORDAGE LENGTH OPTIONS
CPCFF12	VP360-VP360-P8XL	VisiPatch360 - VisiPatch 360 XL 4-pair Cord	0	1,2,3,4,6,7,8,9,B,Z	F, M	1-100ft / 1-30m
CPCF312	VP360-GS8E	VisiPatch360 - GS8E XL 4-pair Hybrid Cord	0	1,2,3,4,6,7,8,9,B,Z	F, M	1-100ft / 1-30m

Ordering Material ID Example: **CPCFF12 - 0 3 F 0 0 7**



VisiPatch 360® 1 Pair Patch Cord

MATERIAL ID	PRODUCT NUMBER	DESCRIPTION	JACK COLOR	CORD COLOR OPTIONS	UOM	CABLE/CORDAGE LENGTH OPTIONS
CPCFF62	VP360-VP360-P2PS	VisiPatch360-VisiPatch360 1-pair Cord	0	3	F, M	1-100ft / 1-30m

Ordering Material ID Example: **CPCFF62 - 0 3 F 0 0 7**

VisiPatch® to VisiPatch Hybrid Patch Cord Configurator

MATERIAL ID BASE CODE	PRODUCT NUMBER	DESCRIPTION	TYPE	INFORMATION OUTLET COLOR	JACKET COLOR										UOM	CABLE/CORDAGE LENGTH OPTIONS
					BK	LB	DG	GN	OR	RD	WH	YL	LL	BL		
CPCF512	VP360-VP-P8GS	VisiPatch® 360 to VisiPatch 4 Pair Patch Cord	Patch Cord	0	1	2	3	4	6	7	8	9	B	Z	F, M	1-100ft/1-30m

Ordering Material ID Example: **CPCF512 - 0 6 F 0 2 5**

InstaPATCH® Cu Configurator



C A A A C - 1 1 H A 8 8 F 050

Cable Type

A	Cat 6A X10D - U/UTP (Plenum)
B	Cat 6A X10D - U/UTP (Riser)
C	Cat 6A X10D - U/UTP (LSZH)
D	Cat 6A X10D - F/UTP (Plenum)
E	Cat 6A X10D - F/UTP (Riser)
F	Cat 6A X10D - F/UTP (LSZH)
G	Cat 6 XL - U/UTP (Plenum)
H	Cat 6 XL - U/UTP (Riser)
J	Cat 6 XL - U/UTP (LSZH)
Q	Cat 6A X10D - S/FTP (LSZH)

Link

B	6
C	8
D	12
E	16
F	18
G	24

Orientation A

1	Trident Series Flat
2	Right Paired Flat
3	Right Series Flat
4	Left Paired Flat
5	Left Series Flat
6	Trident Paired Flat
A	Trident Series Angled
B	Right Paired Angled
C	Right Series Angled
D	Left Paired Angled
E	Left Series Angled
F	Trident Paired Angled

Bundling

H	Hook-n-loop
S	Sleeving

Outlet Color

0	Not Applicable
1	Black (BK)
2	Blue (BL)
8	White (WH)

UOM

F	Feet
M	Meter

Length
XXX

Labeling

A	Generic Label
----------	---------------

Jacket Color

3	Dark Gray (DG)
8	White (WH)
C	Slate (SL)
Z	Blue (BL)

Connector A

A	Outlet* - Single Row Standard Density
B	Outlet* - Dual Row Standard Density
G	RJ45 Plug
N	1100 Module
R	360 1100 Evolve Module
S	Onelink 2x6
T	Onelink 2x4

Orientation B

1	Trident Series Flat
2	Right Paired Flat
3	Right Series Flat
4	Left Paired Flat
5	Left Series Flat
6	Trident Paired Flat
A	Trident Series Angled
B	Right Paired Angled
C	Right Series Angled
D	Left Paired Angled
E	Left Series Angled
F	Trident Paired Angled
X	Not Applicable

Connector B

A	Outlet* - Single Row Standard Density
B	Outlet* - Dual Row Standard Density
G	RJ45 Plug
N	1100 Module
R	360 1100 Evolve Module
S	Onelink 2x6
T	Onelink 2x4
X	Unterminated

Configurations are not limited to the above.

Please contact your local sales representative for more information.

* Note: Connector A and Connector B Applications:

- A** Outlet - Single Row Standard Density (supports M2400, 360M FTP panel)
- B** Outlet - Dual Row Standard Density (supports M2000, M2100, M3200, 360M UTP panels)

Pre-Terminated Cable Assembly Configurations

BASE PART	MATERIAL RATING	PERFORMANCE	CONNECTOR A	CONNECTOR B	CABLE	PORT COUNT	CABLE COLOR	UOM	LENGTH
IQ	P - Plenum	1 - Category 6A U/UTP	QP - QUATTRO (MC) Plug	QP - QUATTRO (MC) Plug	V - Bundled	4 - 4 Port	A - Blue	F - Foot	XXX
	R - Riser	3 - Category 6 U/UTP		RJ - RJ45 Plug			E - Slate	M - Meter	(005-295 ft) (001-090 m)
	Z - LSZH						F - White		

Example ordering code for a CMR, 6A, U/UTP, QUATTRO to QUATTRO, Bundled, Blue, trunk = IQP1QPQPV4-AF050

Please refer to InstaPATCH QUATTRO Design and Installation Guidelines for trunk/cord length limitations.

Panel and Cassette Module

MATERIAL ID	PRODUCT NUMBER	DESCRIPTION
760160507	IPQ-IPR-1U-24P	InstaPATCH QUATTRO 1U Panel, 24 port with 6 modules, intelligence ready, preloaded
760160523	IPQ-1U-48P	InstaPATCH QUATTRO 1U Panel, 48 port with 12 modules, preloaded
760160499	IPQ-IPR-1U-24P-Empty	InstaPATCH QUATTRO 1U Panel, 24 port, empty, intelligence ready, unloaded
760160515	IPQ-1U-48P-Empty	InstaPATCH QUATTRO 1U Panel, 48 port, empty, unloaded
760159632	IPQ-Module-4P-6A	InstaPATCH QUATTRO 4-Port Module
760161000	360-iP-INSTA-QTRO-24P	360 iPatch InstaPATCH QUATTRO 1U Panel, 24 port
760159905	360-iP-UP-KIT-IPQ-24P	360 iPatch 1U Panel Upgrade Kit InstaPATCH QUATTRO, 24 port, 10 pack

*Additional iPatch® Ready Modules, Panels and Shelves can be found in the Fiber Connectivity and iPatch Infrastructure Management Sections.

Surface Mount Boxes

MATERIAL ID	PRODUCT NUMBER	DESCRIPTION
760193367	IPQ-SMB-4P	InstaPATCH QUATTRO Surface Mount Box, 4-port (without module)
760193375	IPQ-SMB-8P	InstaPATCH QUATTRO Surface Mount Box, 8-port (without module)

Replacement Accessories

MATERIAL ID	PRODUCT NUMBER	DESCRIPTION
760160549	IPQ-Mod-Label	InstaPATCH QUATTRO Module Label Sheet, 10 labels
760161059	IPQ-1U-48P-End Caps -10PK	InstaPATCH QUATTRO Panel, 48 port, end caps, 10 pack
760101931	IPQ-1U-24P-Bezel	InstaPATCH QUATTRO Panel, 24 port, bezel
760171041	IPQ-Blank-4P	InstaPATCH QUATTRO Blank Panels, 12 pack



SYSTIMAX 360™ Modular Panels

MATERIAL ID	PRODUCT NUMBER	DESCRIPTION
760187187	360-E-MOD-1U-24	360 Evolve 24 Port Panel
760187179	360 Evolve M-Series Adapter - 4 Pk	360 Evolve M-Series Adapter - 4 Pk
760187278	360 E Mod Label Sheet US LTR	360 Modular Panel Label Sheet US LTR
760187286	360 E Mod Label Sheet A4	360 Modular Panel Label Sheet A4
760187195	360-E-MOD-2U-48	360 Evolve 48 Port Panel
760187203	360-E-ANG-MOD-1U-24	360 Evolve Angled 24 Port Panel
760187211	360-E-ANG-MOD-2U-48	360 Evolve Angled 48 Port Panel

M4800/M4800A 1U High Density Modular Panels



MATERIAL ID	PRODUCT NUMBER	DESCRIPTION
760105429	M4800-1U-GS	M4800 1U 48-Port Panel - GS
760104307	M4800-1U-PS	M4800 1U 48-Port Panel – PS
760109744	M4800A-1U-GS	M4800A 1U Angled 48-Port Panel - GS
760109736	M4800A-1U-PS	M4800A 1U Angled 48-Port Panel - PS
760104737	360-RCM-RM	Rear Cable Management System (Rack Mountable)

M2000 Modular Patch Panels



MATERIAL ID	PRODUCT NUMBER	DESCRIPTION
760207274	M2000-24 1U	M2000 24-Port 1U Panel
760207282	M2000-48 2U	M2000 48-Port 2U Panel
760207290	M2000A-24 1U (Angled)	M2000A 24-Port 1U Panel (angled)
760207308	M2000A-48 2U (Angled)	M2000A 48-Port 2U Panel (angled)

M2100 Modular Patch Panels



MATERIAL ID	PRODUCT NUMBER	DESCRIPTION
760101220	M2100-24	M2100-1U Modular Patch Panel
760077842	M2100-48	M2100-2U Modular Patch Panel



Series 59 Non-Plenum

MATERIAL ID	PRODUCT NUMBER	DESCRIPTION	COLOR	PACKAGING
8836303/10	5553	95% BC braid, BC conductor	Black	Reel

Series 6 Plenum



MATERIAL ID	PRODUCT NUMBER	DESCRIPTION	COLOR	PACKAGING
4112704/10	2227V	Quad, CCS conductor	White	Reel
4104504/10	2227K	Quad, CCS conductor		Reel
4103904/10	2229V	Quad, BC conductor	White	Reel
4101103/10	2273V	93% AL braid, BC conductor	White	Reel
4138003/10	2275V	60% AL braid, CCS conductor	White	Reel
4100903/10	2276V	90% AL braid, CCS conductor	White, Black	Reel
4123803/10	2277V	95% BC braid, BC conductor	White	Reel
4135303/10	2279V	95% TC braid, BC conductor	White	Reel
8720203/10	2281V	77% AL braid, CCS conductor, Tri-shield	White	Reel



Series 6 Non-Plenum

MATERIAL ID	PRODUCT NUMBER	DESCRIPTION	COLOR	PACKAGING
8288203/10	5700	95% BC braid, BC conductor	Black	Reel
8269413/10	5729	60% AL braid, BC conductor	Black	Box
8202613/10	5730	60% AL braid, CCS conductor	Black or White	Box
8246103/10	5731	60% AL braid, BC conductor w/17 AWG ground	Black	Reel
7416914/10	5740	Quad braid, CCS conductor	Black	Reel
8223514/10	5781	Quad braid, BC conductor	Black or White	Reel or Box



Series 11 Plenum

MATERIAL ID	PRODUCT NUMBER	DESCRIPTION	COLOR	PACKAGING
4101403/10	2285V WTRL	60% AL braid, CCS conductor	White	Reel
4130103/10	2286V WTRL	95% BC braid, BC conductor	White	Reel
4101204/10	2287V WTRL	Quad braid, CCS conductor	White	Reel
4101303/10	2293V WTRL	95% AL braid, BC conductor	White	Reel
4136903/10	2285K	60% AL braid, CCS conductor	White	Reel
4103304/10	2287K	Quad braid, CCS conductor	White	Reel
4125003/10	2293K	95% AL braid, BC conductor	White	Reel



Series 11 Non-Plenum

MATERIAL ID	PRODUCT NUMBER	DESCRIPTION	COLOR	PACKAGING
8203603/10	5916	60% AL braid, CCS conductor	Black	Reel
8292903/10	5917	60% AL braid, CCS conductor, Outdoor	Black	Reel
7413004/10	5940	Quad braid, CCS conductor	Black	Reel
8820704/10	5940R	Quad braid, CCS conductor	Black	Reel

ControlNet (RG-6)



MATERIAL ID	PRODUCT NUMBER	DESCRIPTION	COLOR	PACKAGING
8225704/10	5060F	RG6 18 AWG CNTRLNET	Black	Reel

Ethernet



MATERIAL ID	PRODUCT NUMBER	DESCRIPTION	COLOR	PACKAGING
4604505/10	2001	(Moderate noise/Mod. flex) 4 pr. 24 AWG BC UV/Oil resistant	Teal	Reel
4604605/10	2002	(Moderate noise/High flex) 4 pr. 24 AWG TC UV/Oil resistant	Teal	Reel
4604805/10	2003	(High noise/Moderate flex) 4 pr. 24 AWG BC UV/Oil resistant	Teal	Reel
4602206/10	2003B	(High noise/Moderate flex) 4 pr. 24 AWG BC UV/Oil resistant	Teal	Reel
4602106/10	2004	(High noise/High flex) 4 pr. 24 AWG TC UV/Oil resistant	Teal	Reel



Premises Distribution

MATERIAL ID	PRODUCT NUMBER	DESCRIPTION
760006411	P-012-DS-5K-FSUAQ	Plenum rated, 12 fiber, LazrSPEED 550 50 µm multimode
760128017	P-012-DZ-5K-FSUAQ	Plenum, Armored 12 fiber, LazrSPEED 550 50 µm multimode
760012112	R-012-DS-5K-FSUAQ	Riser rated, 12 fiber, LazrSPEED 550 50 µm multimode
760127514	R-012-DZ-5K-FSUAQ	Riser, Armored 12 fiber, LazrSPEED 550 50 µm multimode
760018697	P-024-DS-5K-FSUAQ	Plenum rated, 24 fiber, LazrSPEED 550 50 µm multimode
760127910	P-024-DZ-5K-FSUAQ	Plenum, Armored 24 fiber, LazrSPEED 550 50 µm multimode
760018564	R-024-DS-5K-FSUAQ	Riser rated, 24 fiber, LazrSPEED 550 50 µm multimode
760127407	R-024-DZ-5K-FSUAQ	Riser, Armored 24 fiber, LazrSPEED 550 50 µm multimode
700009772	P-006-DS-5L-FSUAQ	Plenum rated, 6 fiber, LazrSPEED 300 50 µm multimode
700009731	P-012-DS-5L-FSUAQ	Plenum rated, 12 fiber, LazrSPEED 300 50 µm multimode
760127647	P-012-DZ-5L-FSUOR	Plenum, Armored 12 fiber, LazrSPEED 300 50 µm multimode
700010176	R-006-DS-6F-FSUOR	Riser rated, 6 fiber, OptiSPEED 62.5/125 µm multimode
700010168	R-012-DS-6F-FSUOR	Riser rated, 12 fiber, OptiSPEED 62.5/125 µm multimode
760125005	R-024-DS-6F-FSUOR	Riser rated, 24 fiber, OptiSPEED 62.5/125 µm multimode
700009525	P-006-DS-6F-FSUOR	Plenum rated, 6 fiber, OptiSPEED 62.5/125 µm multimode
700009400	P-012-DS-6F-FSUOR	Plenum rated, 12 fiber, OptiSPEED 62.5/125 µm multimode
760018655	P-024-DS-6F-FSUOR	Plenum rated, 24 fiber, OptiSPEED 62.5/125 µm multimode
760127753	P-006-DZ-6F-FSUOR	Plenum, Armored 6 fiber, OptiSPEED 62.5/125 µm multimode
760127761	P-012-DZ-6F-FSUOR	Plenum, Armored 12 fiber, OptiSPEED 62.5/125 µm multimode
760004440	R-012-DS-8W-FSUYL	Riser rated, 12 fiber, TeraSPEED 8.3/125 µm single-mode
760004333	P-006-DS-8W-FSUYL	Plenum rated, 6 fiber, TeraSPEED 8.3/125 µm single-mode
760004358	P-012-DS-8W-FSUYL	Plenum rated, 12 fiber, TeraSPEED 8.3/125 µm single-mode
760018630	P-024-DS-8W-FSUYL	Plenum rated, 24 fiber, TeraSPEED 8.3/125 µm single-mode
760127803	P-012-DZ-8W-FSUYL	Plenum, Armored 12 fiber, TeraSPEED 8.3/125 µm single-mode

Indoor/Outdoor Single Unit Riser Distribution



MATERIAL ID	PRODUCT NUMBER	DESCRIPTION
760039974	Z-006-DS-5K-FSUBK	Riser rated, 6 fiber, LazrSPEED 550 50 µm multimode
760006650	Z-012-DS-5K-FSUBK	Riser rated, 12 fiber, LazrSPEED 550 50 µm multimode
760070300	Z-024-DS-5K-FSUBK	Riser rated, 24 fiber, LazrSPEED 550 50 µm multimode
760039966	Z-006-DS-5L-FSUBK	Riser rated, 6 fiber, LazrSPEED 300 50 µm multimode
700210982	Z-012-DS-5L-FSUBK	Riser rated, 12 fiber, LazrSPEED 300 50 µm multimode
760070292	Z-024-DS-5L-FSUBK	Riser rated, 24 fiber, LazrSPEED 300 50 µm multimode
760054973	Z-006-DS-6F-FSUBK	Riser rated, 6 fiber, OptiSPEED 62.5/125 µm multimode
700211279	Z-012-DS-6F-FSUBK	Riser rated, 12 fiber, OptiSPEED 62.5/125 µm multimode
760070318	Z-024-DS-6F-FSUBK	Riser rated, 24 fiber, OptiSPEED 62.5/125 µm multimode
760009753	Z-006-DS-8W-FSUBK	Riser rated, 6 fiber, TeraSPEED 8.3/125 µm single-mode
700004184	Z-012-DS-8W-FSUBK	Riser rated, 12 fiber, TeraSPEED 8.3/125 µm single-mode
760070276	Z-024-DS-8W-FSUBK	Riser rated, 24 fiber, TeraSPEED 8.3/125 µm single-mode



All Dry Outside Plant Stranded Loose Tube Non-Armored All Dielectric

MATERIAL ID	PRODUCT NUMBER	DESCRIPTION
760007377	D-012-LN-5K-F12NS	Outside Plant, 12 fiber, LazrSPEED 550 50 µm multimode
760054296	D-024-LN-5K-F12NS	Outside Plant, 24 fiber, LazrSPEED 550 50 µm multimode
760054312	D-048-LN-5K-F12NS	Outside Plant, 48 fiber, LazrSPEED 550 50 µm multimode
760054338	D-072-LN-5K-F12NS	Outside Plant, 72 fiber, LazrSPEED 550 50 µm multimode
760054353	D-144-LN-5K-F12NS	Outside Plant, 144 fiber, LazrSPEED 550 50 µm multimode
760054361	D-288-LN-5K-F12NS	Outside Plant, 288 fiber, LazrSPEED 550 50 µm multimode
760054171	D-012-LN-5L-F12NS	Outside Plant, 12 fiber, LazrSPEED 300 50 µm multimode
760054189	D-024-LN-5L-F12NS	Outside Plant, 24 fiber, LazrSPEED 300 50 µm multimode
760054205	D-048-LN-5L-F12NS	Outside Plant, 48 fiber, LazrSPEED 300 50 µm multimode
760054221	D-072-LN-5L-F12NS	Outside Plant, 72 fiber, LazrSPEED 300 50 µm multimode
760054247	D-144-LN-5L-F12NS	Outside Plant, 144 fiber, LazrSPEED 300 50 µm multimode
760054254	D-288-LN-5L-F12NS	Outside Plant, 288 fiber, LazrSPEED 300 50 µm multimode
760053959	D-012-LN-6F-F12NS	Outside Plant, 12 fiber, OptiSPEED 62.5/125 µm multimode
760053967	D-024-LN-6F-F12NS	Outside Plant, 24 fiber, OptiSPEED 62.5/125 µm multimode
760053983	D-048-LN-6F-F12NS	Outside Plant, 48 fiber, OptiSPEED 62.5/125 µm multimode
760054007	D-072-LN-6F-F12NS	Outside Plant, 72 fiber, OptiSPEED 62.5/125 µm multimode
760054023	D-144-LN-6F-F12NS	Outside Plant, 144 fiber, OptiSPEED 62.5/125 µm multimode
760054031	D-288-LN-6F-F12NS	Outside Plant, 288 fiber, OptiSPEED 62.5/125 µm multimode
760053843	D-012-LN-8W-F12NS	Outside Plant, 12 fiber, TeraSPEED 8.3/125 µm single-mode
760053850	D-024-LN-8W-F12NS	Outside Plant, 24 fiber, TeraSPEED 8.3/125 µm single-mode
760053876	D-048-LN-8W-F12NS	Outside Plant, 48 fiber, TeraSPEED 8.3/125 µm single-mode
760053892	D-072-LN-8W-F12NS	Outside Plant, 72 fiber, TeraSPEED 8.3/125 µm single-mode
760053918	D-144-LN-8W-F12NS	Outside Plant, 144 fiber, TeraSPEED 8.3/125 µm single-mode
760053926	D-288-LN-8W-F12NS	Outside Plant, 288 fiber, TeraSPEED 8.3/125 µm single-mode



Adapter Panels for 1U, 2U and 4U Shelves

MATERIAL ID	PRODUCT NUMBER	DESCRIPTION
760148171	PNL-BK-024-MFA-LC02-AQ-NS	LazrSPEED® LC, 24 Fiber, Aqua Duplex Adapter, black panel, no shutter
760148056	PNL-BK-012-MFA-LC12-AQ	LazrSPEED® LC, 12 Fiber, Aqua Ganged Adapter, black panel
760147975	PNL-BK-006-MFA-SC06-AQ	LazrSPEED® SC, 6 Fiber, Aqua Ganged Adapter, black panel
760148015	PNL-BK-006-MFA-ST06-AQ	LazrSPEED® ST, 6 Fiber, Aqua Ganged Adapter, black panel
760148189	PNL-BK-024-MFA-LC02-BG-NS	OptiSPEED® LC, 24 Fiber, Beige Duplex Adapter, black panel, no shutter
760148064	PNL-BK-012-MFA-LC12-BG	OptiSPEED® LC, 12 Fiber, Beige Ganged Adapter, black panel
760147983	PNL-BK-006-MFA-SC06-BG	OptiSPEED® SC, 6 Fiber, Beige Ganged Adapter, black panel
760021790	PNL-BK-012-MFA-SC02-BG	OptiSPEED® SC, 12 Fiber, Beige Duplex Adapter, black panel
760066076	PNL-BK-012-MFA-SC02-AQ	LazrSPEED SC, 12 Fiber, Aqua Duplex Adapter, black panel
760179028	PNL-BK-006-HFA-ST01	OptiSPEED® ST, 6 Fiber, Simplex Hybrid Adapter, black panel
760148023	PNL-BK-006-MFA-ST06-BG	OptiSPEED® ST, 6 Fiber, Beige Ganged Adapter, black panel
760148361	PNL-BK-024-SFA-LC02-BL-NS	TeraSPEED® LC, 24 Fiber, Blue Duplex Adapter, black panel, no shutter
760148254	PNL-BK-012-SFA-LC12-BL	TeraSPEED® LC, 12 Fiber, Blue Ganged Adapter, black panel
760147637	PNL-BK-012-AFA-LC12-GR	TeraSPEED® LC Angled, 12 Fiber, Green Ganged Adapter, black panel
760147652	PNL-BK-006-AFA-SC06-GR	TeraSPEED® SC Angled, 6 Fiber, Green Ganged Adapter, black panel
760027714	PNL-BK-012-SFA-SC02-BL	TeraSPEED® SC, 12 Fiber, Blue Duplex Adapters, black panel
760148213	PNL-BK-006-SFA-SC06-BL	TeraSPEED® SC, 6 Fiber, Blue Ganged Adapter, black panel
760148270	PNL-BK-006-SFA-SC01-BL	TeraSPEED® SC, 6 Fiber, Blue Simplex Adapters, black panel
760148239	PNL-BK-006-SFA-ST06-BL	TeraSPEED® ST, 6 Fiber, Blue Ganged Adapter, black panel
760179044	PNL-BK-012-HFA-ST01	TeraSPEED® ST, 12 Fiber, Simplex Hybrid Adapters, black panel
760150094	PNL-BK-024-AFA-LC02-GR-NS	TeraSPEED LC/APC, 24 Fiber, Green Duplex Adapter, black panel, no shutter
760117267	PNL-BK-012-AFA-SC02-GR	TeraSPEED SC/APC, 12 Fiber, Green Duplex Adapter, black panel

Fiber Optic Patch Cord Configurator

1	2	3	4	5	6	7	8	9	10	11	12	13	14-16
F	D	X	L	1	L	1	2	1	-	M	X	F	010

Prefix

FD Jumper-Plenum
FE Jumper-Rise
FF Jumper-LSZH

Fiber Type

X LazrSPEED 550 Multimode
M OptiSPEED Multimode
W TeraSPEED Single-mode

Connector One

LC LC Standard
SC SC Standard
ST STII
LA LC Angled
SA SC Angled
L1 LC Keyed Red
L2 LC Keyed Yellow
L3 LC Keyed Blue
L4 LC Keyed Green
L5 LC Keyed Orange
L6 LC Keyed Slate
L7 LC Keyed Brown
L8 LC Keyed Aqua
L9 LC Keyed Rose
LV LC Keyed Violet
LU LC Uniboot

Connector Two

LC LC Standard
SC SC Standard
ST STII
LA LC Angled
SA SC Angled
L1 LC Keyed Red
L2 LC Keyed Yellow
L3 LC Keyed Blue
L4 LC Keyed Green
L5 LC Keyed Orange
L6 LC Keyed Slate
L7 LC Keyed Brown
L8 LC Keyed Aqua
L9 LC Keyed Rose
LV LC Keyed Violet
MJ MTRJ
FC FC Standard
FA FC Angled
LU LC Uniboot

Fiber Count

1 1 Fiber
2 2 Fiber

Cordage Size

2 1.6mm Simplex
3 3.0mm Simplex
4 1.6mm Zipcord
5 3.0mm Zipcord
6 2.0mm MP IC*

Jacket Color

A Blue
B Orange
C Green
D Brown
E Slate
G Red
H Black
J Yellow
K Violet
L Rose
M Aqua

UOM

F Feet
M Meter

Breakout Length

X No Breakout

Length

2 - 999 Feet
1 - 999 Meters

* This for use on Uniboot Connector Assemblies only

Fiber Optic Pigtails

Fiber Optic Pigtails Configurator

1	2	3	4	5	6	7	8	9	10	11	12	13	14-16
F	A	X	L	C	U	C	0	1	-	M	X	F	002

Prefix

FA Pigtail Tight Buffer
FB Pigtail-Riser SBJ
FC Pigtail-LSZH SBJ

Fiber Type

X LazrSPEED 550 Multimode
M OptiSPEED Multimode
W TeraSPEED Single-mode

Connector One

L1 LC Keyed Red
L2 LC Keyed Yellow
L3 LC Keyed Blue
L4 LC Keyed Green
L5 LC Keyed Orange
L6 LC Keyed Slate
L7 LC Keyed Brown
L8 LC Keyed Aqua
L9 LC Keyed Rose
LV LC Keyed Violet
LA LC Angled
LC LC Standard
LU LC Uniboot*
SA SC Angled
SC SC Standard
ST STII
FA FC Angled
FC FC Standard

Connector Two

UC Unconnectorized

Cordage Size

0 0.9mm (Tight Buffered Fiber) BTW
1 0.9mm (SBJ) Cordage

Fiber Count

1 1 Fiber
A 6 Fiber Pigtail Kit BL-WH (1-6)
B 6 Fiber Pigtail Kit RD-AQ (7-12)
C 12 Fiber Pigtail Kit BL-AQ (1-12)

Jacket Color

A Blue
B Orange
C Green
D Brown
E Slate
G Red
H Black
J Yellow
K Violet
L Rose
M Aqua
X KIT Pigtail

UOM

F Feet
M Meter

Breakout Length

X No Breakout

Length

1 - 23 Feet
1 - 7 Meters

*Only Available in EMEA
Not all combination are available. Call for details.

Fiber Closures

Fiber Solutions

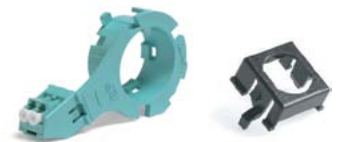


Outside Plant Fiber Closures

MATERIAL ID	PRODUCT NUMBER	DESCRIPTION
9703128/00	OFE-CLS-J-012	Closure, J, with 2 drop ports, one 12 splice tray, can hold 4 trays total, MAX 48 splices with 12 tray, 96 splices with 24 tray
9703129/00	OFE-CLS-K-024	Closure, K, with 3 drop ports, one 24 splice tray, can hold 6 trays total, MAX 144 splices with 24 tray, 288 splices with 48 tray
9703130/00	OFE-CLS-L-024	Closure, L, with 5 drop ports, one 24 splice tray, can hold 8 trays total, MAX 192 splices with 24 tray, 384 splices with 48 tray
9703148/00	OFE-CLS-J-SPT-12	Splice Tray for OFE-CLS-J for 12 Single Fusion Splices
9703149/00	OFE-CLS-K-SPT-24	Splice Tray for OFE-CLS-K and L for 24 Single Fusion Splices
9703265/00	OFE-CLS-K/L-SPT-48	Splice Tray for OFE-CLS-K and L for 48 Single Fusion Splices

Adapters

Faceplate Adapters



MATERIAL ID	PRODUCT NUMBER	DESCRIPTION
9701291/00	UNFA-LC02-AQ	Faceplate Adapter, duplex LC adapter with fiber spool for LazrSPEED 50µm MM, Aqua
9701292/00	UNFA-LC02-BG	Faceplate Adapter, duplex LC adapter with fiber spool for FDDI grade 62.5µm MM, Biege
9701293/00	UNFA-LC02-BL	Faceplate Adapter, duplex LC adapter with fiber spool for LightScope ZWP SM, Blue
9702665/00	UNFA-LC02-BG-CL	Faceplate Adapter, clear duplex LC adapter with a beige MM LC duplex adapter
9702666/00	UNFA-LC02-AQ-CL	Faceplate Adapter, clear duplex LC adapter with an aqua MM LC duplex adapter
9702667/00	UNFA-LC02-BL-CL	Faceplate Adapter, clear duplex LC adapter with blue SM LC duplex adapter
9701289/00	UNFA-SC01-BL	Faceplate Adapter, simplex, blue SC adapter for SM & MM
9703080/00	UNFA-SC01-BG	Faceplate Adapter, simplex, beige SC adapter MM
9703083/00	UNFA-SC01-AQ	Faceplate Adapter, simplex, aqua SC adapter MM, 50µm
9701290/00	UNFA-ST01	Faceplate Adapter, simplex ST adapter for MM

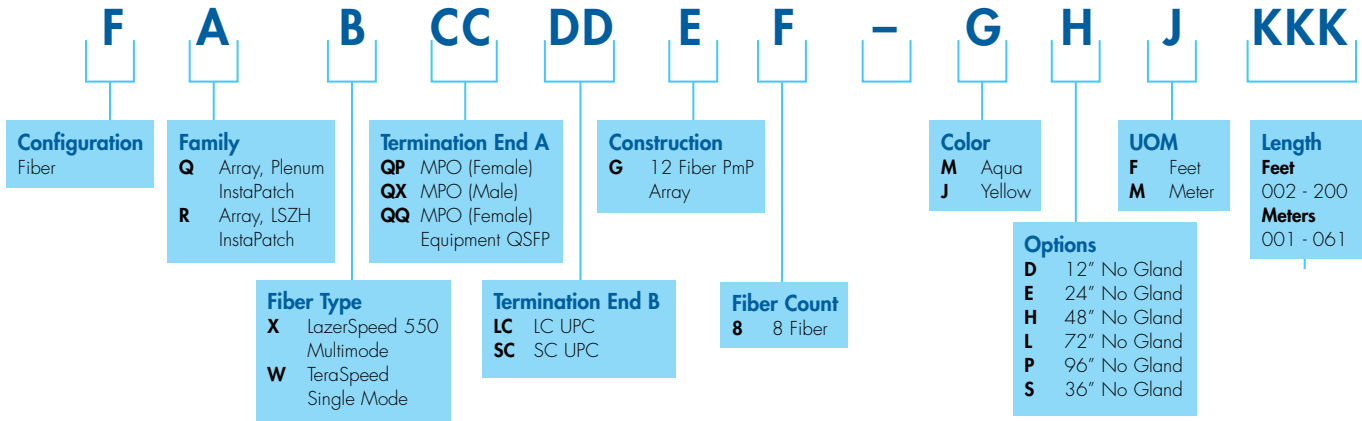
Connectorized Cable Assemblies also available.

Splice Wallet Kits

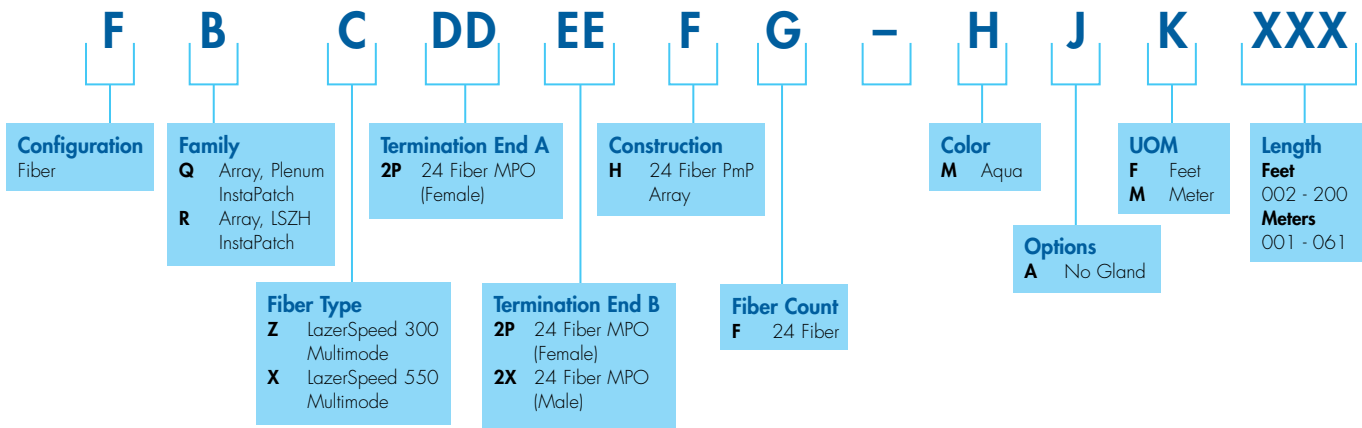
Splice Wallet Kits

MATERIAL ID	PRODUCT NUMBER	DESCRIPTION
760148411	KIT-SW-48-SFS-2FD	Splice Wallet Kit, 48 Single Fusion Splices (1x3x16), 1U/2U Shelf, 2 Fiber Drums
760148429	KIT-SW-36-MES-2FD	Splice Wallet Kit, 36 Mechanical Splices (1x3x12), 1U/2U Shelf, 2 Fiber Drums
760154682	KIT-SW-96-SFS-2FD-1U	Splice Wallet Kit, 96 Single Fusion Splices (2x3x16), 1U/2U Shelf, 2 Fiber Drums
760148437	KIT-SW-96-SFS-2FD	Splice Wallet Kit, 96 Single Fusion Splices (1x6x16), 2U Shelf, 2 Fiber Drums
760148445	KIT-SW-72-MES-2FD	Splice Wallet Kit, 72 Mechanical Splices (1x6x12), 2U Shelf, 2 Fiber Drums
760148452	KIT-SW-96-SFS-4FD	Splice Wallet Kit, 96 Single Fusion Splices (1x6x16), 4U Shelf, 4 Fiber Drums
760148460	KIT-SW-72-MES-4FD	Splice Wallet Kit, 72 Mechanical Splices (1x6x12), 4U Shelf, 4 Fiber Drums
760148478	KIT-SW-192-SFS-4FD	Splice Wallet Kit, 192 Single Fusion Splices (2x6x16), 4U Shelf, 4 Fiber Drums
760148486	KIT-SW-144-MES-4FD	Splice Wallet Kit, 144 Mechanical Splices (2x6x12), 4U Shelf, 4 Fiber Drums
760148502	360-LP-STACK-SPT	Fusion Splice Tray, stackable 48 Fusion Splices (0.5x6.5x14), 1U, 2U, & 4U
760031054	SW-6AF-16SF	Splice Wallet Kit, 96 Single Fusion Splices (1x6x16), WBE Shelf
760057075	SW-03-FUS	Splice Wallet Kit, 48 Single Fusion Splices (1x3x16), WBE Shelf

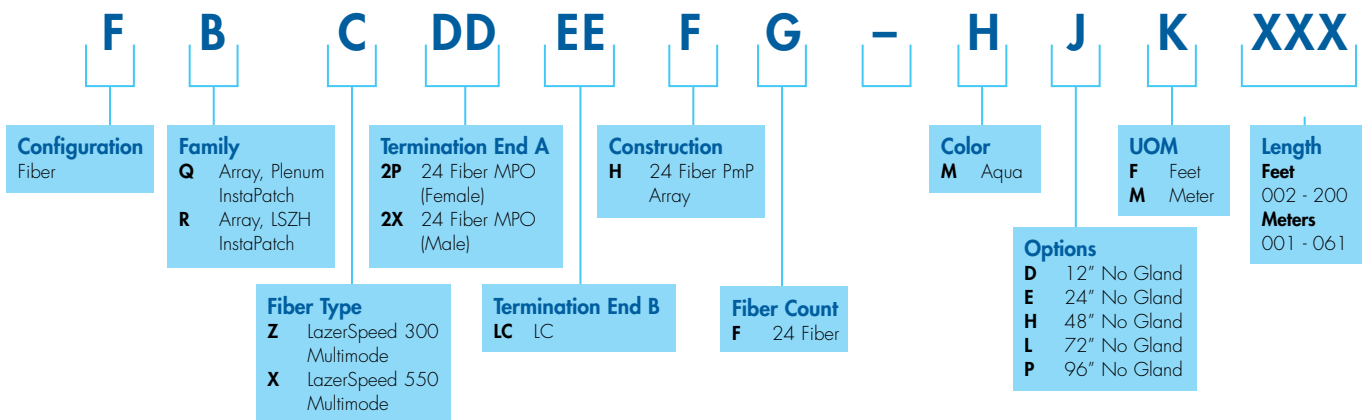
8 Fiber QSFP Configurator



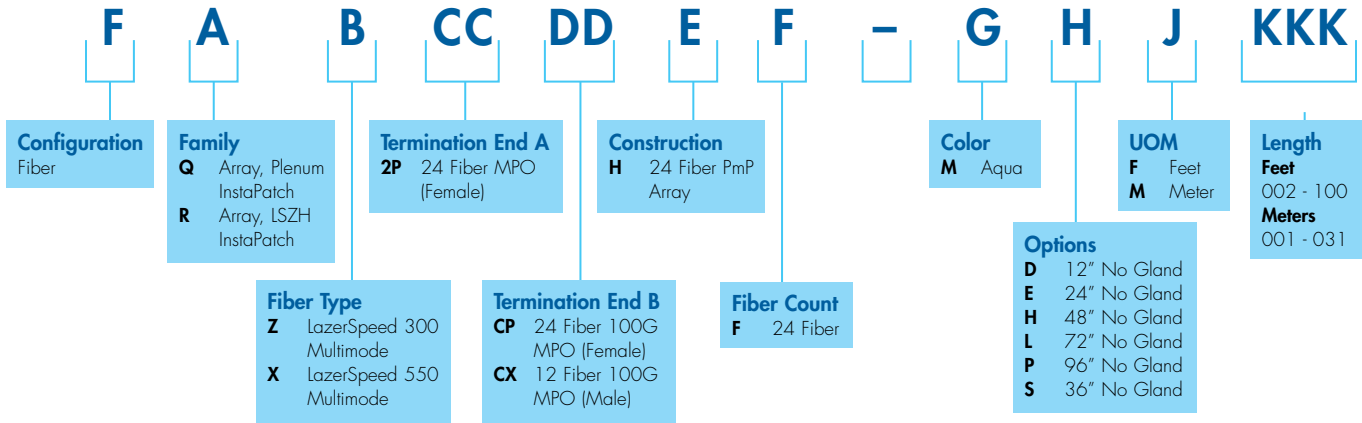
Array Patch Cord MPO/MPO 24 Fiber



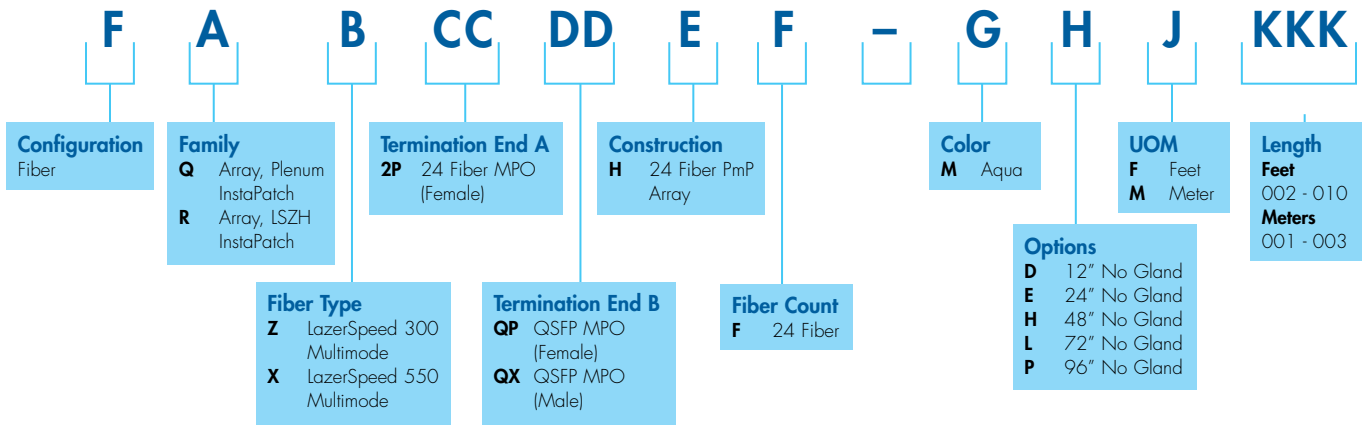
Array Patch Cord Fanout MP/LC 24 Fiber



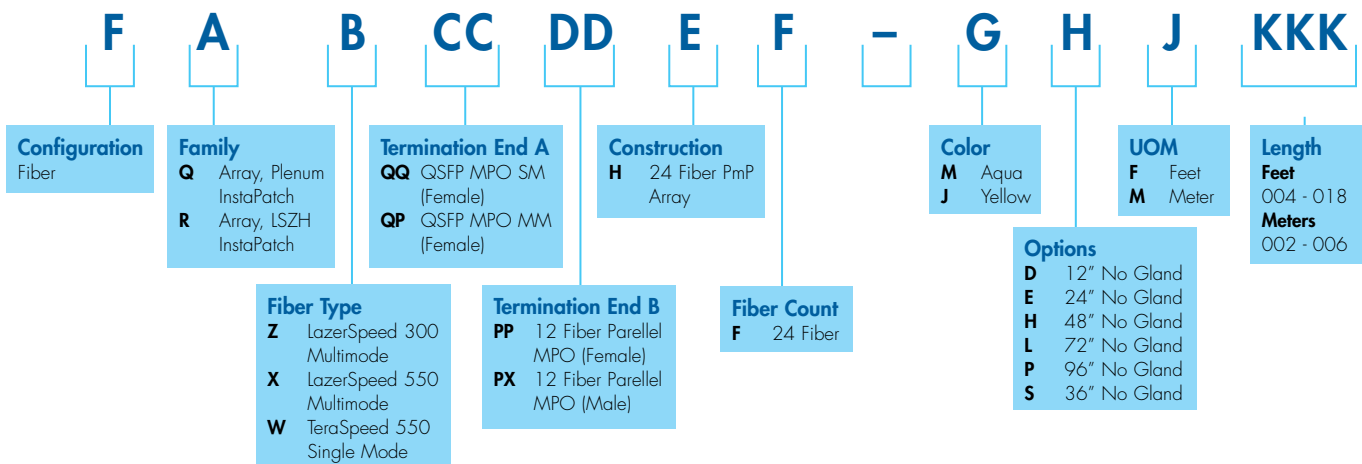
Array Fanout Bifurcated 24 Fiber



Array Fanout Trifurcated 24 Fiber



Array Fanout 2 x 3 24 Fiber



SYSTIMAX 360G2

Fiber Connectivity



SYSTIMAX 360G2 Modular Fiber Shelves & Panels 1U, 2U & 4U

MATERIAL ID	PRODUCT NUMBER	DESCRIPTION
760173690	360G2-4U-MOD-UHD	360G2 4U Sliding Shelf, accepts 24 modules
760173682	360G2-2U-MOD-UHD	360G2 2U Sliding Shelf, accepts 12 modules
760173674	360G2-1U-MOD-UHD	360G2 1U Sliding Shelf, accepts 4 modules
760193870	360G2-4U-MOD-FX	360G2 4U Fixed modular cassette shelf, accepts 12 360DM, 360DP or 360G2 modular cassettes
760193888	360G2-4U-MOD-FX-16	360G2 4U Fixed modular cassette shelf, accepts 16 360DM, 360DP or 360G2 modular cassettes
760193896	360G2-4U-MOD-SD	360G2 4U Sliding modular cassette shelf, accepts 12 360DM, 360DP or 360G2 modular cassettes
760193847	360G2-2U-MOD-FX	360G2 2U Fixed modular cassette shelf, accepts 8 360DM, 360DP or 360G2 modular cassettes
760193854	360G2-2U-MOD-SD	360G2 2U Sliding modular cassette shelf, accepts 8 360DM, 360DP or 360G2 modular cassettes
760193763	360G2-1U-MOD-FX	360G2 1U Fixed modular cassette shelf, accepts 4 360DM, 360DP or 360G2 modular cassettes
760193771	360G2-1U-MOD-SD	360G2 1U Sliding modular cassette shelf, accepts 4 360DM, 360DP or 360G2 modular cassettes
760193904	360G2-1U-MOD-IS	360G2 1U Fixed modular cassette shelf, accepts 4 360DM, 360DP or 360G2 modular cassettes
760193821	360G2-1U-UP-FX	SYSTIMAX 360G2 1U faceplate shelf
760193839	360G2-1U-UP-SD	SYSTIMAX 360G2 1U sliding shelf
760193755	360MP-1U-PANEL	1U Panel, accepts 4 360DM or 360DP components
760193920	360MP-2U-PANEL	2U Panel, accepts 8 360DM or 360DP components
760193862	360MP-4U-PANEL	4U Panel, accepts 16 360DM or 360DP components
760113001	360MP-1UA	Angled 360MP 1U Panel Angled, accepts 4 360DM or 360DP components

SYSTIMAX 360G2 Accessories

MATERIAL ID	PRODUCT NUMBER	DESCRIPTION
760193938	360G2-1U-TROUGH	360 1U Trough Assembly Kit
760193946	360G2-2U-TROUGH	360 2U Trough Assembly Kit
760101410	360G2-4U-FLK	360 Flip Label Kit, 4U Shelf
760105676	360G2-1U-LABEL	360G2 Flip Label Kit, 1U Trough
760110098	CMB-360MP-1U	Hardware kit for 360MP-1U and 360MP-1U-ANGLED panels for mounting to "L" shaped equipment rail

InstaPATCH 360 Modules



MATERIAL ID	PRODUCT NUMBER	DESCRIPTION	iPatch READY
760109884	360DM-24LC-LS	InstaPATCH 360 Module, 24LC-LazrSPEED	Yes
760109892	360DM-24LC-SM	InstaPATCH 360 Module, 24LC-TeraSPEED	Yes
760109900	360DM-24LC-MM	InstaPATCH 360 Module, 24LC-OptiSPEED	Yes
760109918	360DM-24LCA-SM	InstaPATCH 360 Module, 24LCA-TeraSPEED	No
760109926	360DM-12LC-LS	InstaPATCH 360 Module, 12LC-LazrSPEED	Yes
760109934	360DM-12LC-SM	InstaPATCH 360 Module, 12LC-TeraSPEED	Yes
760109942	360DM-12LC-MM	InstaPATCH 360 Module, 12LC-OptiSPEED	Yes
760109959	360DM-12LCA-SM	InstaPATCH 360 Module, 12LCA-TeraSPEED	Yes
760109967	360DM-12SC-LS	InstaPATCH 360 Module, 12SC-LazrSPEED	No
760109975	360DM-12SC-SM	InstaPATCH 360 Module, 12SC-TeraSPEED	No
760109983	360DM-12SC-MM	InstaPATCH 360 Module, 12SC-OptiSPEED	No
760109991	360DM-12SCA-SM	InstaPATCH 360 Module, 12SCA-TeraSPEED	No



SYSTIMAX 360G2 Modular Cartridges with Pigtails

MATERIAL ID	PRODUCT NUMBER	DESCRIPTION	COLOR
760109470	360G2 Cartridge 12-LC-LS-AQ-Pigtails	w/Pigtails, 360G2 Cartridge 12 LC LazrSPEED, iPatch Ready	Aqua
760109488	360G2 Cartridge 12-LC-MM-BG-Pigtails	360G2 Cartridge 12 LC OptiSPEED, w/Pigtails, iPatch Ready	Beige
760109496	360G2 Cartridge 12-LC-MM-BL-Pigtails	360G2 Cartridge 12 LC TeraSPEED, w/Pigtails, iPatch Ready	Blue
760109504	360G2 Cartridge 12-LCA-MM-BL-Pigtails	360G2 Cartridge 12 LCA TeraSPEED, w/Pigtails, iPatch Ready	Green
760109512	360G2 Cartridge 6-SC-LS-AQ-Pigtails A	360G2 Cartridge 6 SC LazrSPEED, w/Pigtails A	Aqua
760109520	360G2 Cartridge 6-SC-LS-AQ-Pigtails B	360G2 Cartridge 6 SC LazrSPEED, w/Pigtails B	Aqua
760109538	360G2 Cartridge 6-SC-MM-BG-Pigtails A	360G2 Cartridge 6 SC OptiSPEED, w/Pigtails A	Beige
760109546	360G2 Cartridge 6-SC-MM-BG-Pigtails B	360G2 Cartridge 6 SC OptiSPEED, w/Pigtails B	Beige
760109553	360G2 Cartridge 6-SC-MM-BL-Pigtails A	360G2 Cartridge 6 SC TeraSPEED, w/Pigtails A	Blue
760109561	360G2 Cartridge 6-SC-MM-BL-Pigtails B	360G2 Cartridge 6 SC TeraSPEED, w/Pigtails B	Blue
760109579	360G2 Cartridge 6-SCA-MM-BL-Pigtails A	360G2 Cartridge 6 SCA TeraSPEED, w/Pigtails A	Green
760109587	360G2 Cartridge 6-SCA-MM-BL-Pigtails B	360G2 Cartridge 6 SCA TeraSPEED, w/Pigtails B	Green
760109603	360G2 Cartridge 6-ST-LS-AQ-Pigtails A	360G2 Cartridge 6 ST LazrSPEED, w/Pigtails A	Aqua
760109611	360G2 Cartridge 6-ST-LS-AQ-Pigtails B	360G2 Cartridge 6 ST LazrSPEED, w/Pigtails B	Aqua
760109629	360G2 Cartridge 6-ST-MM-BG-Pigtails A	360G2 Cartridge 6 ST OptiSPEED, w/Pigtails A	Beige
760109637	360G2 Cartridge 6-ST-MM-BG-Pigtails B	360G2 Cartridge 6 ST OptiSPEED, w/Pigtails B	Beige
760109645	360G2 Cartridge 6-ST-MM-BL-Pigtails A	360G2 Cartridge 6 ST TeraSPEED, w/Pigtails A	Blue
760109652	360G2 Cartridge 6-ST-MM-BL-Pigtails B	360G2 Cartridge 6 ST TeraSPEED, w/Pigtails B	Blue
760109462	360G2-MOD-BLANK-4PK	360G2 Mod Panel Blank (4 Panels)	

SYSTIMAX 360G2 Modular Cartridges without Pigtails

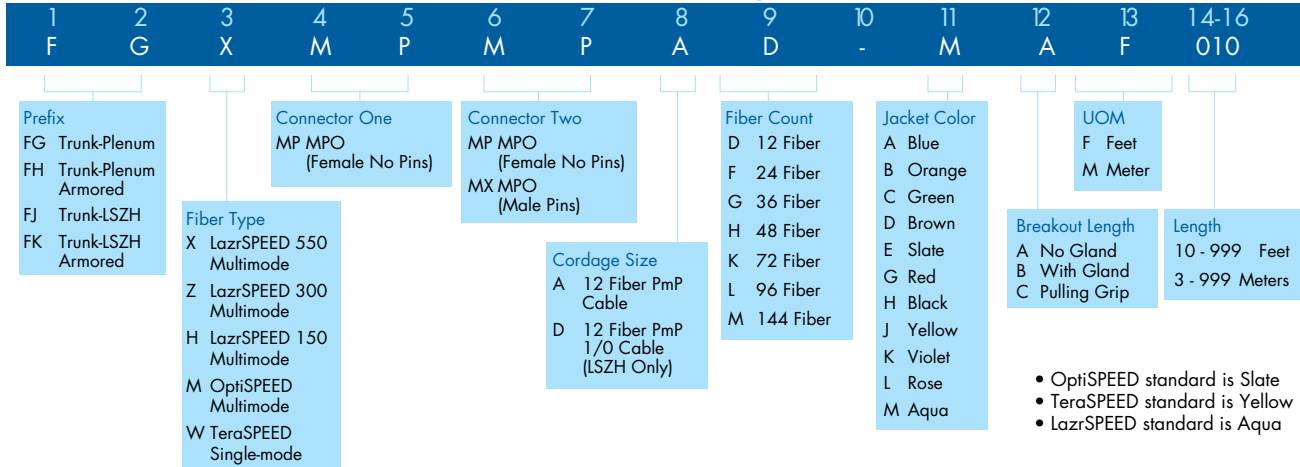
MATERIAL ID	PRODUCT NUMBER	DESCRIPTION	COLOR
760109256	360G2 Cartridge 12-LC-LS-AQ	360G2 Cartridge 12 LC LazrSPEED, iPatch Ready	Aqua
760109264	360G2 Cartridge 12-LC-MM-BG	360G2 Cartridge 12 LC OptiSPEED, iPatch Ready	Beige
760109272	360G2 Cartridge 12-LC-MM-BL	360G2 Cartridge 12 LC TeraSPEED, iPatch Ready	Blue
760109280	360G2 Cartridge 12-LCA-MM-BL	360G2 Cartridge 12 LCA TeraSPEED, iPatch Ready	Green
760109298	360G2 Cartridge 6-SC-LS-AQ	360G2 Cartridge 6 SC LazrSPEED	Aqua
760109306	360G2 Cartridge 6-SC-MM-BG	360G2 Cartridge 6 SC OptiSPEED	Beige
760109314	360G2 Cartridge 6-SC-MM-BL	360G2 Cartridge 6 SC TeraSPEED	Blue
760109322	360G2 Cartridge 6-SCA-MM-BL	360G2 Cartridge 6 SCA TeraSPEED	Green
760109330	360G2 Cartridge 6-ST-LS-AQ	360G2 Cartridge 6 ST LazrSPEED	Aqua
760109348	360G2 Cartridge 6-ST-MM-BG	360G2 Cartridge 6 ST OptiSPEED	Beige
760109355	360G2 Cartridge 6-ST-MM-BL	360G2 Cartridge 6 ST TeraSPEED	Blue



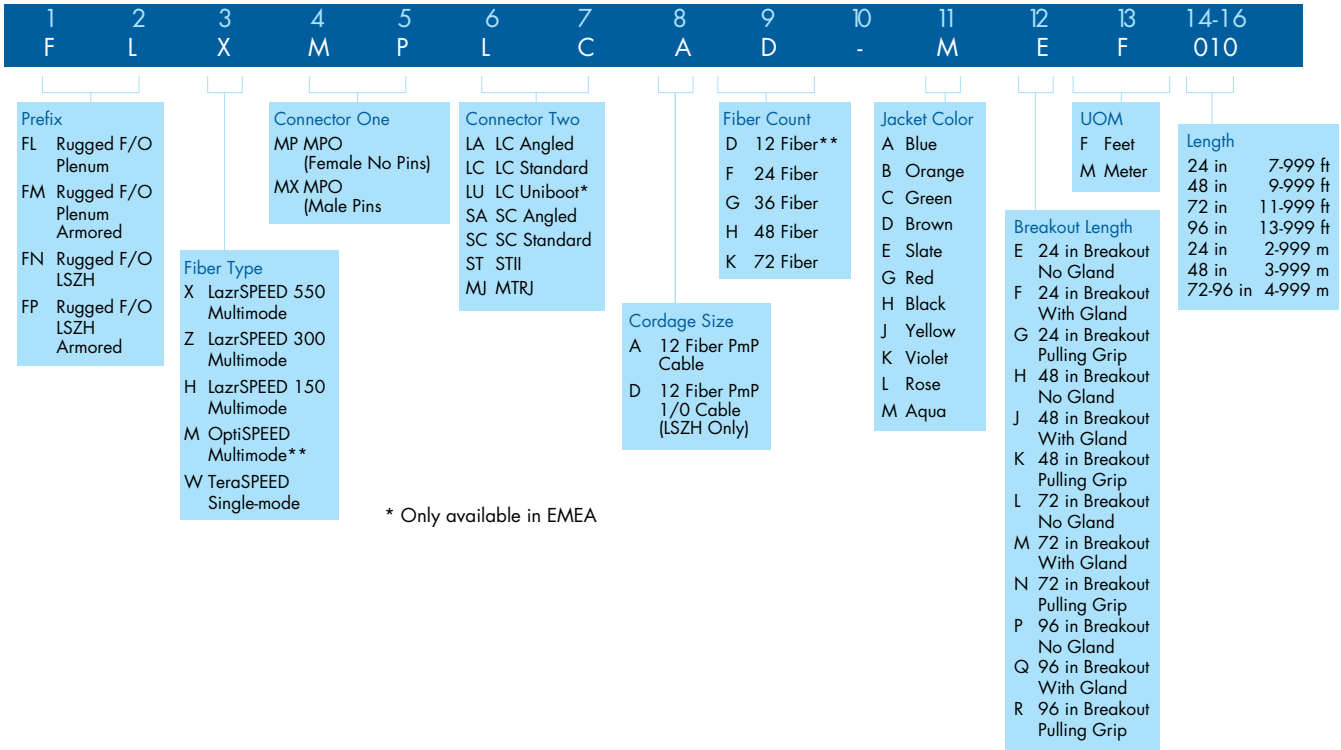
SYSTIMAX 360G2 Modular Distribution Panels

MATERIAL ID	PRODUCT NUMBER	DESCRIPTION
760115907	360DP-24LC-LS	360 Distribution Panel 24 LC LazrSPEED, iPatch Ready
760115923	360DP-24LC-MM	360 Distribution Panel 24 LC OptiSPEED, iPatch Ready
760115915	360DP-24LC-SM	360 Distribution Panel 24 LC TeraSPEED, iPatch Ready
760115931	360DP-24LCA-SM	360 Distribution Panel 24 LCA TeraSPEED
760109363	360DP-12LC-LS	360 Distribution Panel 12 LC LazrSPEED, iPatch Ready
760109371	360DP-12LC-MM	360 Distribution Panel 12 LC OptiSPEED, iPatch Ready
760109389	360DP-12LC-SM	360 Distribution Panel 12 LC TeraSPEED, iPatch Ready
760109751	360DP-12LCA-SM	360 Distribution Panel 12 LCA TeraSPEED, iPatch Ready
760109397	360DP-6SC-LS	360 Distribution Panel 6 SC LazrSPEED
760109405	360DP-6SC-MM	360 Distribution Panel 6 SC OptiSPEED
760109413	360DP-6SC-SM	360 Distribution Panel 6 SC TeraSPEED
760109769	360DP-6SCA-SM	360 Distribution Panel 6 SCA TeraSPEED
760109421	360DP-6ST-LS	360 Distribution Panel 6 ST LazrSPEED
760109439	360DP-6ST-MM	360 Distribution Panel 6 ST OptiSPEED
760109447	360DP-6ST-SM	360 Distribution Panel 6 ST TeraSPEED
760107490	360DP-2MPO	360 Distribution Panel 2 MPO
760107508	360DP-4MPO	360 Distribution Panel 4 MPO
760107516	360DP-6MPO	360 Distribution Panel 6 MPO
760107524	360DP-8MPO	360 Distribution Panel 8 MPO, iPatch Ready

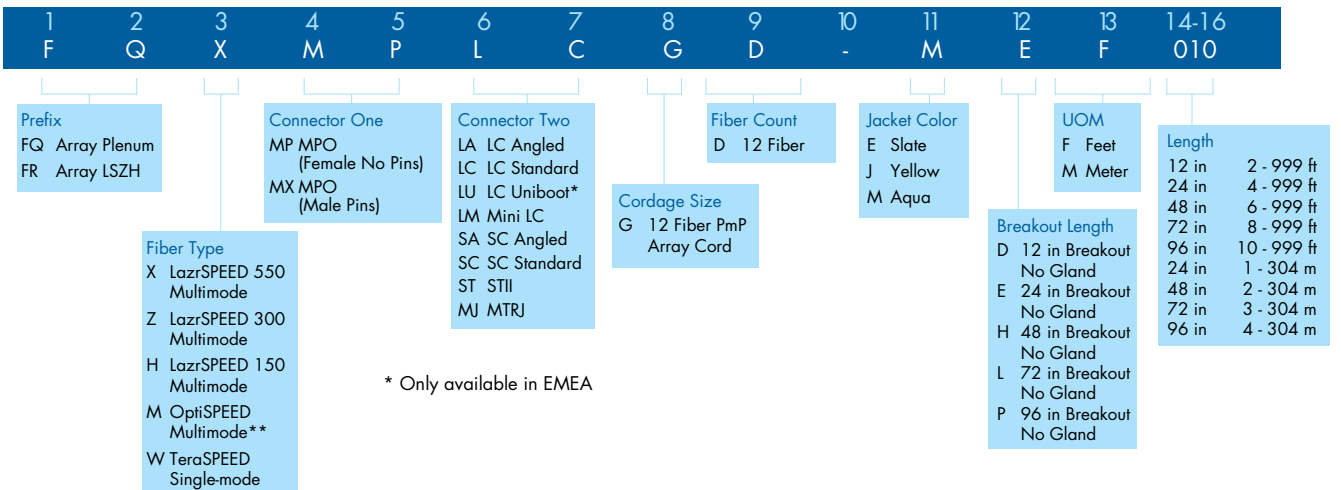
InstaPATCH® 360 Trunk Cables and Trunk Extension Configurator



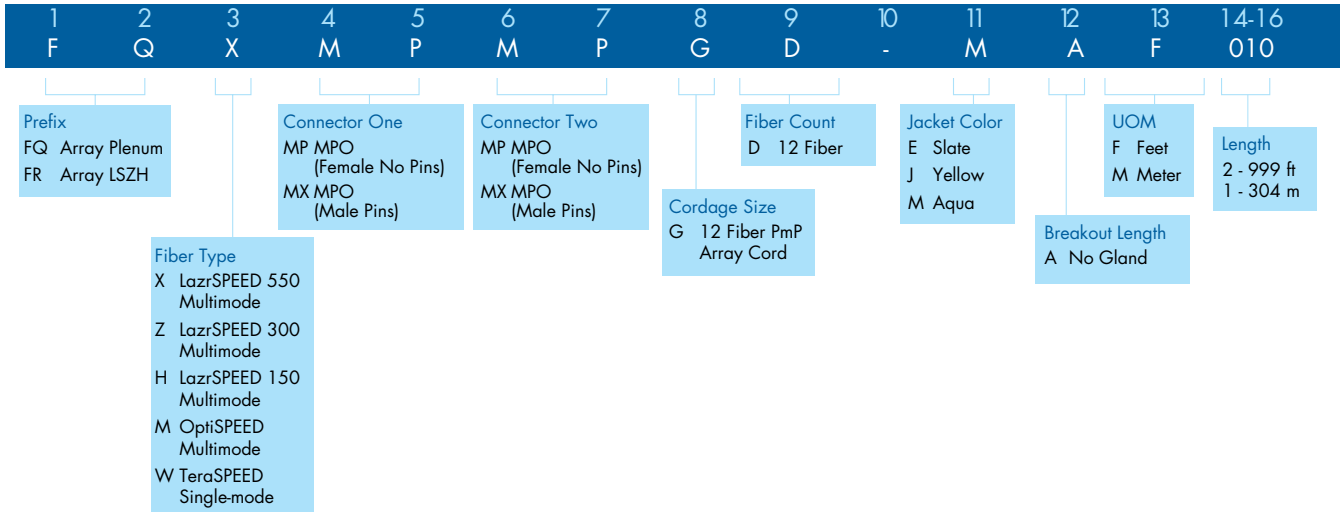
InstaPATCH® 360 Ruggedized Fanout Cable Configurator



InstaPATCH® 360 Array Fanout Cables



InstaPATCH® 360 Array Cords Configurator





Standard Fiber Optic Connectors

MATERIAL ID	PRODUCT NUMBER	DESCRIPTION
760034181	MFC-LCR-09	MM LC pre-radius connector for use on 900m buffered fiber, single pack
760034199	SFC-LCR-09	SM LC pre-radius connector for use on 900m buffered fiber, single pack
760007070	MFC-SCR-09	MM SC connector for use on 900m buffered fiber, single pack
760007112	SFC-SCR-09	SM SC connector for use on 900m buffered fiber, single pack
700004328	MFC-STU	MM, ST for use on 900m buffered fiber, single pack
700011067	SFC-STU	SM, ST for use on 900m buffered fiber, single pack

*Connectors are also available in 100 bulk packages



EZ-LC Connectors®

MATERIAL ID	PRODUCT NUMBER	DESCRIPTION	FIBER TYPE	COLOR	QTY./PKG.
760034181	MFC-LCR-09-BG	BTW LC Connector, Pre-radiused, for 0.9mm Fiber	MM	Beige	1
760034199	SFC-LCR-09-BL	BTW LC Connector, Pre-radiused, for 0.9mm Fiber	SM	Blue	1
760034140	MFC-LCR-16-BG	LC Connector, Pre-radiused, Simplex, for 1.6mm Cordage	MM	Beige	1
760111476	MFC-LCR-30-BG	LC Connector, Pre-radiused, Simplex, for 3.0mm Cordage	MM	Beige	1
760034173	SFC-LCR-16-BL	LC Connector, Pre-radiused, Simplex, for 1.6mm Cordage	SM	Blue	1
760111492	SFC-LCR-30-BL	LC Connector, Pre-radiused, Simplex, for 3.0mm Cordage	SM	Blue	1
760034157	MDC-LCR-16-BG	LC Connector, Pre-radiused, Duplex, for 1.6mm Cordage	MM	Beige	2
760111518	MDC-LCR-30-BG	LC Connector, Pre-radiused, Duplex, for 3.0mm Cordage	MM	Beige	2
760091439	SDC-LCR-16-BL	LC Connector, Pre-radiused, Duplex, for 1.6mm Cordage	SM	Blue	2
760111534	SDC-LCR-30-BL	LC Connector, Pre-radiused, Duplex, for 3.0mm Cordage	SM	Blue	2



EZ-SC Connectors®

MATERIAL ID	PRODUCT NUMBER	DESCRIPTION	FIBER TYPE	COLOR	QTY./PKG.
760007070	MFC-SCR-09-BG	BTW SC Connector, Pre-radiused, for 0.9mm Fiber	MM	Beige	1
760007112	SFC-SCR-09-BL	BTW SC Connector, Pre-radiused, for 0.9mm Fiber	SM	Blue	1
760112227	MFC-SCR-16-BG	SC Connector, Pre-radiused, Simplex, for 1.6mm Cordage	MM	Beige	1
760007047	MFC-SCR-30-BG	SC Connector, Pre-radiused, Simplex, for 3.0mm Cordage	MM	Beige	1
760112243	SFC-SCR-16-BL	SC Connector, Pre-radiused, Simplex, for 1.6mm Cordage	SM	Blue	1
760007096	SFC-SCR-30-BL	SC Connector, Pre-radiused, Simplex, for 3.0mm Cordage	SM	Blue	1
760112268	MDC-SCR-16-BG	SC Connector, Pre-radiused, Duplex, for 1.6mm Cordage	MM	Beige	2
760112284	MDC-SCR-30-BG	SC Connector, Pre-radiused, Duplex, for 3.0mm Cordage	MM	Beige	2
760112300	SDC-SCR-16-BL	SC Connector, Pre-radiused, Duplex, for 1.6mm Cordage	SM	Blue	2
760112326	SDC-SCR-30-BL	SC Connector, Pre-radiused, Duplex, for 3.0mm Cordage	SM	Blue	2



EZ-ST Connectors®

MATERIAL ID	PRODUCT NUMBER	DESCRIPTION	FIBER TYPE		QTY./PKG.
700004328	MFC-STU	ST II Connector, Pre-radiused	MM	0.9/2.4/3.0	1
700004310	MFC-STU-100-BULK	ST II Connector, Pre-radiused	MM	0.9/2.4/3.0	100
700011067	SFC-STU	ST II Connector, Pre-radiused	SM	0.9/2.4/3.0	1
760113241	SFC-STU-100-BULK	ST II Connector, Pre-radiused	SM	0.9/2.4/3.0	100



QWIK II Connectors®

MATERIAL ID	PRODUCT NUMBER	DESCRIPTION
760117887	MFC-LCF-09-5X	QWIK II-LC BTW Connector, LazrSPEED
760117903	MFC-LCF-09-6X	QWIK II-LC BTW Connector, OptiSPEED
760117945	MFC-SCF-09-5X	QWIK II-SC BTW Connector, LazrSPEED
760117960	MFC-SCF-09-6X	QWIK II-SC BTW Connector, OptiSPEED
760118000	MFC-STF-09-5X	QWIK II-ST BTW Connector, LazrSPEED
760118026	MFC-STF-09-6X	QWIK II-ST BTW Connector, OptiSPEED
760117895	SFC-LCF-09-8X	QWIK II-LC BTW Connector, TeraSPEED
760184697	SFC-LCF-09-8A	QWIK II-LC/APC BTW Connector, TeraSPEED
760117952	SFC-SCF-09-8X	QWIK II-SC BTW Connector, TeraSPEED
760184689	SFC-SCF-09-8A	QWIK II-SC/APC BTW Connector, TeraSPEED
760118018	SFC-STF-09-8X	QWIK II-ST BTW Connector, TeraSPEED



Fiber Optic Connector Termination & Consumable Kits

MATERIAL ID	PRODUCT NUMBER	DESCRIPTION
9700157/00	FOT-KIT-TOL-SC/ST/LC-ANA	SC, ST, and LC Took Kit to mount connectors using anaerobic adhesive on 900m buffered fiber BTW
760119131	QK-TERM-TOOL-QWIKII	Universal Tool Kit, QWIK II Connectors
9703336/00	FOT-KIT-CON-ANA	Anaerobic Bonder, Solventless Primer, and Retaining Compound
9703330/00	FOT-KIT-CON-M-UNIV-100	*MM STU/SCU/LCR Unified Polishing Consumable Kit
9703331/00	FOT-KIT-CON-S-UNIV-100	*SM STU/SCU/LCR Unified Polishing Consumable Kit



LC Adapters

MATERIAL ID	PRODUCT NUMBER	DESCRIPTION	COLOR	QTY./PKG.
108622887	MFA-LC02-AQ	LC Adapter, Duplex, LazrSPEED	Aqua	1
700002355	MFA-LC02-BG	LC Adapter, Duplex, OptiSPEED	Beige	1
700002215	SFA-LC02-BL	LC Adapter, Duplex, TeraSPEED	Blue	1
760036301	AFA-LC02-GR	LC Adapter, Duplex, APC	Green	1
760025338	MFA-LC01-AQ	LC Adapter, Simplex, LazrSPEED	Aqua	1
700002173	MFA-LC01-BG	LC Adapter, Simplex, OptiSPEED	Beige	1
700002132	SFA-LC01-BL	LC Adapter, Simplex, TeraSPEED	Blue	1
760036293	AFA-LC01-GR	LC Adapter, Simplex, APC	Green	1



SC Adapters

MATERIAL ID	PRODUCT NUMBER	DESCRIPTION	COLOR	QTY./PKG.
108622895	MFA-SC02-AQ	SC Adapter, Duplex, LazrSPEED	Aqua	1
700004880	MFA-SC02-BG	SC Adapter, Duplex, OptiSPEED	Beige	1
700004815	SFA-SC02-BL	SC Adapter, Duplex, TeraSPEED	Blue	1
760036285	AFA-SC02-GR	SC Adapter, Duplex, APC	Green	1
760115543	MFA-SC01-AQ	SC Adapter, Simplex, LazrSPEED	Aqua	1
108223181	MFA-SC01-BG	SC Adapter, Simplex, OptiSPEED	Beige	1
700004807	SFA-SC01-BL	SC Adapter, Simplex, TeraSPEED	Blue	1
760036277	AFA-SC01-GR	SC Adapter, Simplex, APC	Green	1



ST Adapters

MATERIAL ID	PRODUCT NUMBER	DESCRIPTION	FIBER TYPE	QTY./PKG.
700011133	HFA-ST01	Hybrid ST Adapter, Hex Nut	SM	1
760000638	HFA-ST01-CMN	Hybrid ST Adapter, Circular Nut	SM	1

SYSTIMAX imVision® Controller



MATERIAL ID	PRODUCT NUMBER	DESCRIPTION
760161380	360-iMV-CNTRLR	imVision Controller
760031716	iP-POWER-SUPPLY	Spare iPatch® Power Supply

SYSTIMAX imVision® System Manager Software

See eCatalog for our full offering of System Manager software.

iPatch® Infrastructure Management



iPatch® Infrastructure Management Copper Panels

MATERIAL ID	PRODUCT NUMBER	DESCRIPTION
760201145	360-iP-1100-E-GS6-1U-24	360 iPatch 1100GS6 24-Port Evolve Patch Panel
760201129	360-iP-1100-E-GS6-2U-48	360 iPatch 1100GS6 48-Port Evolve Patch Panel
760158642	360-iP-1100A-E-GS6-1U-24	360 iPatch 1100GS6 24-Port Evolve Angled Patch Panel
760158659	360-iP-1100A-E-GS6-2U-48	360 iPatch 1100GS6 48-Port Evolve Angled Patch Panel
760201137	360-iP-1100-E-GS3-1U-24	360 iPatch 1100GS3 24-Port Evolve Patch Panel
760201111	360-iP-1100-E-GS3-2U-48	360 iPatch 1100GS3 48-Port Evolve Patch Panel
760158626	360-iP-1100A-E-GS3-1U-24	360 iPatch 1100GS3 24-Port Evolve Angled Patch Panel
760158634	360-iP-1100A-E-GS3-2U-48	360 iPatch 1100GS3 48-Port Evolve Angled Patch Panel
760104992	360-iP-UP-KIT-1100-24	360 iPatch Upgrade Kit for 360 1100 24-Port Panel, 10 pack
760105015	360-iP-UP-KIT-1100-48	360 iPatch Upgrade Kit for 360 1100 48-Port Panel, 5 pack
760198747	360-iP-UP-KIT-E-24	360 iPatch Upgrade Kit for 360 Evolve 24-Port Panel, 10 Pack
760158600	360-iP-UP-KIT-AE-24	360 iPatch Angled Evolve Kit, 24-Port, 10 pack
760158618	360-iP-UP-KIT-AE-48	360 iPatch Angled Evolve Kit, 48-Port, 5 pack
760198754	360-iP-UP-KIT-E+PMAX-48	360 iPatch Upgrade Kit for 360 Evolve and PATCHMAX 48-Port Panels, 5 Pack
760201269	360-iP-PMAX-GS6-24	360 iPatch PATCHMAX GS6 24-Port Panel
760201236	360-iP-PMAX-GS6-48	360 iPatch PATCHMAX GS6 48-Port Panel
760201244	360-iP-PMAX-GS3-24	360 iPatch PATCHMAX GS3 24-Port Panel
760201210	360-iP-PMAX-GS3-48	360 iPatch PATCHMAX GS3 48-Port Panel
760198762	360-iP-UP-KIT-PMAX-2U-24	360 iPatch Upgrade Kit, PATCHMAX 24-Port, 2U
760201152	360-iP-1100-E-1U-BLANK	360 iPatch 1100 Evolve 24 Port, blank
760201160	360-iP-1100-E-2U-BLANK	360 iPatch 1100 Evolve 48 Port, blank
760163808	360-iP-1100A-E-1U-BLANK	360 iPatch 1100 Angled Evolve 24 Port, blank
760163816	360-iP-1100A-E-2U-BLANK	360 iPatch 1100 Angled Evolve 48 Port, blank
760201178	360-iP-M-E-HD6B-1U-24	360 iPatch Evolve High Density F/UTP Modular Panel, 24-Port
760201186	360-iP-M-E-HD6B-2U-48	360 iPatch Evolve High Density F/UTP Modular Panel, 48-Port
760158667	360-iP-MFTP-A-E-HD6B-1U-24	360 iPatch Evolve High Density F/UTP Angled Modular Panel, 24-Port
760158675	360-iP-MFTP-A-E-HD6B-2U-48	360 iPatch Evolve High Density F/UTP Angled Modular Panel, 48-Port
760201194	360-iP-MFTP-E-1U-BLANK	360 iPatch F/UTP Evolve 24 Port Panel, blank
760201202	360-iP-MFTP-E-2U-BLANK	360 iPatch F/UTP Evolve 48 Port Panel, blank
760163824	360-iP-MFTP-A-E-1U-BLANK	360 iPatch F/UTP Angled Evolve 24 Port Panel, blank
760163832	360-iP-MFTP-A-E-2U-BLANK	360 iPatch F/UTP Angled Evolve 48 Port Panel, blank



iPatch® Infrastructure Management Fiber Optic Shelves

MATERIAL ID	PRODUCT NUMBER	DESCRIPTION
760193805	360-iP-INSTA-LC-4LS	360 iPatch G2 LC Fiber Shelf InstaPATCH 360 LazrSPEED® Slide
760193813	360-iP-INSTA-LC-4TS	360 iPatch G2 LC Fiber Shelf InstaPATCH 360 TeraSPEED® Slide
760193789	360-iP-G2-1U-LC-FX	360 iPatch G2 LC Fiber Shelf, Fixed
760193797	360-iP-G2-1U-LC-SD	360 iPatch G2 Fiber Shelf, Slide
760105148	360-iP-UP-KIT-G2-LC	360 iPatch Upgrade Kit for 360G2-1U-MOD shelves with LC Cassettes
760168419	360G2-iP 1U 96F LC DP SD	360G2 iPatch 1U 96F-LC Distribution Panel, Sliding Shelf
760168435	360G2-iP 1U 96F LC DM LS SD	360G2 iPatch 1U 96F-LC Distribution Module, LazrSPEED, Sliding Shelf
760188326	360G2-iP 1U 96F LC DM TS SD	360G2 iPatch 1U 96F-LC Distribution Module, TeraSPEED, Sliding Shelf
760188342	360G2-iP 1U 96F LC DM LS UHD	360G2 iPatch 1U 96F-LC Distribution Module, LazrSPEED, UHD Shelf
760188359	360G2-iP 1U 96F LC DM TS UHD	360G2 iPatch 1U 96F-LC Distribution Module, TeraSPEED, UHD Shelf
760188375	360G2-iP 2U 192F LC DP SD	360G2 iPatch 2U 192F-LC Distribution Panel, Sliding Shelf
760188383	360G2-iP 2U 192F LC DM LS SD	360G2 iPatch 2U 192F-LC Distribution Module, LazrSPEED, Sliding Shelf
760188391	360G2-iP 2U 192F LC DM TS SD	360G2 iPatch 2U 192F-LC Distribution Module, TeraSPEED, Sliding Shelf
760188417	360G2-iP 2U 288F LC DM LS UHD	360G2 iPatch 2U 288F-LC Distribution Module, LazrSPEED, UHD Shelf
760188425	360G2-iP 2U 288F LC DM TS UHD	360G2 iPatch 2U 288F-LC Distribution Module, TeraSPEED, UHD Shelf
760169144	360G2-iP 1U 32 MPO DP SD	360G2 iPatch 1U 32-MPO Distribution Panel, Sliding Shelf
760169177	360G2-iP 1U 32 MPO DP UHD	360G2 iPatch 1U 32-MPO Distribution Panel, UHD Shelf
760169185	360G2-iP 2U 64 MPO DP SD	360G2 iPatch 2U 64-MPO Distribution Panel, Sliding Shelf
760169193	360G2-iP 2U 96 MPO DP UHD	360G2 iPatch 2U 96-MPO Distribution Panel, UHD Shelf
760168443	360G2-iP 96F LC SD KIT-5PK	360G2 iPatch 96F-LC, Sliding Shelf 5PK Kit
760172221	360G2-iP 96F LC UHD KIT-6PK	360G2 iPatch 96F-LC, UHD Shelf 6PK Kit
760169151	360G2-iP 32 MPO SD KIT-5PK	360G2 iPatch 32-MPO, Sliding Shelf 5PK Kit
760169169	360G2-iP 32 MPO UHD KIT-6PK	360G2 iPatch 32-MPO, UHD Shelf 6PK Kit



SYSTIMAX 360™ iPatch® Fiber Shelves & Modules

MATERIAL ID	PRODUCT NUMBER	DESCRIPTION
760093336	360-iP-HD-2U-IP-SD	360 iPatch G2 HD Fiber Shelf, Slide
760093344	360-iP-HD-MOD-LC-LS	360 iPatch G2 HD LS Module
760093351	360-iP-HD-MOD-LC-LS-3	360 iPatch G2 HD LS Module (3-pack)
760093369	360-iP-HD-MOD-LC-TS	360 iPatch G2 HD TS Module
760093377	360-iP-HD-MOD-LC-TS-3	360 iPatch G2 HD TS Module (3-pack)
760093385	360-iP-HD-MOD-LC-OS	360 iPatch G2 HD OS Module
760093393	360-iP-HD-MOD-LC-OS-3	360 iPatch G2 HD OS Module (3-pack)

iPatch® Panel and Cassette Module

MATERIAL ID	PRODUCT NUMBER	DESCRIPTION
760161000	360-iP-INSTA-QTRO-24P	360 iPatch InstaPATCH QUATTRO 1U Panel, 24 port
760159905	360-iP-UP-KIT-IPQ-24P	360 iPatch 1U Panel Upgrade Kit InstaPATCH QUATTRO, 24 port, 10 pack



Stainless Steel Faceplates

MATERIAL ID	PRODUCT NUMBER	DESCRIPTION	COLOR
760100867	M11SP	1 Port Stainless Steel Faceplate	Stainless Steel
760072074	M11SP-L	1-Prt 1-Gang SS Faceplate with label	Stainless Steel
108615188	M12SP	2 port Stainless Steel Faceplate	Stainless Steel
760072181	M12SP-L	2-Prt 1-Gang SS Faceplate with label	Stainless Steel
108615196	M13SP 3	3 port Stainless Steel Faceplate	Stainless Steel
760072199	M13SP-L	3-Prt 1-Gang SS Faceplate with label	Stainless Steel
108615204	M14SP 4	4 port Stainless Steel Faceplate	Stainless Steel
760072207	M14SP-L	4-Prt 1-Gang SS Faceplate with label	Stainless Steel
108615212	M16SP 6	6 port Stainless Steel Faceplate	Stainless Steel
760072215	M16SP-L	6-Prt 1-Gang SS Faceplate with label	Stainless Steel



Multimedia Faceplates

MATERIAL ID	PRODUCT NUMBER	DESCRIPTION	COLOR
108564675	M13CLS-246	3 Port Multimedia Faceplate, Ivory (1.84 x 3.13 x 0.29 in)	Ivory
108564683	M13CLS-262	3 Port Multimedia Faceplate, White (1.84 x 3.13 x 0.29 in)	White
108564691	M13CLS-270	3 Port Multimedia Faceplate, Gray (1.84 x 3.13 x 0.29 in)	Gray
108564709	M13CLS-003	3 Port Multimedia Faceplate, Black (1.84 x 3.13 x 0.29 in)	Black
108168477	M13CLS-215	3 Port Multimedia Faceplate, Cream (1.84 x 3.13 x 0.29 in)	Cream



Modular Faceplates

MATERIAL ID	PRODUCT NUMBER	DESCRIPTION	COLOR
108258401	M10L-003	1 Port Modular Faceplate	Black
108258419	M10L-246	1 Port Modular Faceplate	Ivory
108258427	M10L-262	1 Port Modular Faceplate	White
760181743	M10L-266	1 Port Modular Faceplate	ProWhite
108258435	M10L-270	1 Port Modular Faceplate	Gray
108168485	M12L-003	2 Port Modular Faceplate	Black
108168477	M12L-246	2 Port Modular Faceplate	Ivory
108168469	M12L-262	2 Port Modular Faceplate	White
760181701	M12L-266	2 Port Modular Faceplate	ProWhite
108168451	M12L-270	2 Port Modular Faceplate	Gray



Modular Outlet Wall Phone Faceplates

MATERIAL ID	PRODUCT NUMBER	DESCRIPTION	COLOR
108258443	M10LW-003	1 Port Modular Outlet Wall Phone Faceplate	Black
108258450	M10LW-246	1 Port Modular Outlet Wall Phone Faceplate	Ivory
108258427	M10LW-262	1 Port Modular Outlet Wall Phone Faceplate	White
760181750	M10LW-266	1 Port Modular Outlet Wall Phone Faceplate	ProWhite
108258476	M10LW-270	1 Port Modular Outlet Wall Phone Faceplate	Gray



Modular Flush-Mount Faceplates

MATERIAL ID	PRODUCT NUMBER	DESCRIPTION	COLOR
108168527	M13L-003	3 Port Modular Flush Mount Faceplate	Black
108168519	M13L-246	3 Port Modular Flush Mount Faceplate	Ivory
108168501	M13L-262	3 Port Modular Flush Mount Faceplate	White
760181719	M13L-266	3 Port Modular Flush Mount Faceplate	ProWhite
108168493	M13L-270	3 Port Modular Flush Mount Faceplate	Gray
108168568	M14L-003	4 Port Modular Flush Mount Faceplate	Black
108168550	M14L-246	4 Port Modular Flush Mount Faceplate	Ivory
108168543	M14L-262	4 Port Modular Flush Mount Faceplate	White
760181727	M14L-266	4 Port Modular Flush Mount Faceplate	ProWhite
108168535	M14L-270	4 Port Modular Flush Mount Faceplate	Gray
108168600	M16L-003	6 Port Modular Flush Mount Faceplate	Black
108168592	M16L-246	6 Port Modular Flush Mount Faceplate	Ivory
108168584	M16L-262	6 Port Modular Flush Mount Faceplate	White
760181735	M16L-266	6 Port Modular Flush Mount Faceplate	ProWhite
108168576	M16L-270	6 Port Modular Flush Mount Faceplate	Gray
108685009	M28L-003	8 Port Modular Flush Mount Faceplate	Black
108685017	M28L-246	8 Port Modular Flush Mount Faceplate	Ivory
108685025	M28L-262	8 Port Modular Flush Mount Faceplate	White
760181768	M28L-266	8 Port Modular Flush Mount Faceplate	ProWhite
108685033	M28L-270	8 Port Modular Flush Mount Faceplate	Gray



Modular Furniture Faceplates

MATERIAL ID	PRODUCT NUMBER	DESCRIPTION	COLOR
106650864	M13C-003	3 Port Modular Furniture Faceplate (1.84 x 3.13 x 0.29 in)	Black
106650880	M13C-246	3 Port Modular Furniture Faceplate (1.84 x 3.13 x 0.29 in)	Ivory
106650898	M13C-262	3 Port Modular Furniture Faceplate (1.84 x 3.13 x 0.29 in)	White
106701154	M13C-270	3 Port Modular Furniture Faceplate (1.84 x 3.13 x 0.29 in)	Gray
108216151	M14CE-003	4 Port Modular Furniture Faceplate (2.16 x 4.07 x 1.27 in)	Black
108216144	M14CE-246	4 Port Modular Furniture Faceplate (2.16 x 4.07 x 1.27 in)	Ivory
108216128	M14CE-262	4 Port Modular Furniture Faceplate (2.16 x 4.07 x 1.27 in)	White
108216136	M14CE-270	4 Port Modular Furniture Faceplate (2.16 x 4.07 x 1.27 in)	Gray



Variable Furniture Faceplates

MATERIAL ID	PRODUCT NUMBER	DESCRIPTION	COLOR
700189046	M4CA-003	4 Port Variable Furniture Faceplate (2.98 x 3.28 x 0.5 in)	Black
700191570	M4CA-246	4 Port Variable Furniture Faceplate (2.98 x 3.28 x 0.5 in)	Ivory
700191588	M4CA-262	4 Port Variable Furniture Faceplate (2.98 x 3.28 x 0.5 in)	White
700191596	M4CA-270	4 Port Variable Furniture Faceplate (2.98 x 3.28 x 0.5 in)	Gray



Designer Faceplates

MATERIAL ID	PRODUCT NUMBER	DESCRIPTION	COLOR
108332982	M10LE-003	1 Port Designer Faceplate	Black
108333006	M10LE-246	1 Port Designer Faceplate	Ivory
108333014	M10LE-262	1 Port Designer Faceplate	White
760181933	M10LE-266	1 Port Designer Faceplate	ProWhite
108333022	M10LE-270	1 Port Designer Faceplate	Gray
108333030	M12LE-003	2 Port Designer Faceplate	Black
108333055	M12LE-246	2 Port Designer Faceplate	Ivory
108333063	M12LE-262	2 Port Designer Faceplate	White
760181941	M12LE-266	2 Port Designer Faceplate	ProWhite
108333071	M12LE-270	2 Port Designer Faceplate	Gray



Designer Faceplates (con't)

MATERIAL ID	PRODUCT NUMBER	DESCRIPTION	COLOR
108333089	M13LE-003	3 Port Designer Faceplate	Black
108333105	M13LE-246	3 Port Designer Faceplate	Ivory
108333113	M13LE-262	3 Port Designer Faceplate	White
760181958	M13LE-266	3 Port Designer Faceplate	ProWhite
108333121	M13LE-270	3 Port Designer Faceplate	Gray
108333139	M14LE-003	4 Port Designer Faceplate	Black
108333154	M14LE-246	4 Port Designer Faceplate	Ivory
108333162	M14LE-262	4 Port Designer Faceplate	White
760181966	M14LE-266	4 Port Designer Faceplate	ProWhite
108333170	M14LE-270	4 Port Designer Faceplate	Gray
108333188	M16LE-003	6 Port Designer Faceplate	Black
108333204	M16LE-246	6 Port Designer Faceplate	Ivory
108333212	M16LE-262	6 Port Designer Faceplate	White
760181974	M16LE-266	6 Port Designer Faceplate	ProWhite
108333220	M16LE-270	6 Port Designer Faceplate	Gray



Flexible Faceplates

MATERIAL ID	PRODUCT NUMBER	DESCRIPTION	COLOR
760008607	M13FP-003	Flexible Single Gang Faceplate	Black
760008615	M13FP-246	Flexible Single Gang Faceplate	Ivory
760008623	M13FP-262	Flexible Single Gang Faceplate	White
760181776	M13FP-266	Flexible Single Gang Faceplate	ProWhite
760008631	M13FP-270	Flexible Single Gang Faceplate	Gray
760008607	M26FP-003	Flexible Double Gang Faceplate	Black
760008615	M26FP-246	Flexible Double Gang Faceplate	Ivory
760008623	M26FP-262	Flexible Double Gang Faceplate	White
760181776	M26FP-266	Flexible Double Gang Faceplate	ProWhite
760008631	M26FP-270	Flexible Double Gang Faceplate	Gray



Flexible Adapters

MATERIAL ID	PRODUCT NUMBER	DESCRIPTION	COLOR
760009464	M30FP-Blank-003	Flexible Adapter Blank	Black
760009472	M30FP-Blank-246	Flexible Adapter Blank	Ivory
760009480	M30FP-Blank-262	Flexible Adapter Blank	White
760181800	M30FP-Blank-266	Flexible Adapter Blank	ProWhite
760009498	M30FP-Blank-270	Flexible Adapter Blank	Gray
760009423	M30FP-1RJ45-003	Flexible Adapter Single Outlet	Black
760009431	M30FP-1RJ45-246	Flexible Adapter Single Outlet	Ivory
760009449	M30FP-1RJ45-262	Flexible Adapter Single Outlet	White
760181792	M30FP-1RJ45-266	Flexible Adapter Single Outlet	ProWhite
760009456	M30FP-1RJ45-270	Flexible Adapter Single Outlet	Gray
760008649	M30FP-2RJ45-003	Flexible Adapter Double Outlet	Black
760008656	M30FP-2RJ45-246	Flexible Adapter Double Outlet	Ivory
760008664	M30FP-2RJ45-262	Flexible Adapter Double Outlet	White
760181784	M30FP-2RJ45-266	Flexible Adapter Double Outlet	ProWhite
760008672	M30FP-2RJ45-270	Flexible Adapter Double Outlet	Gray



Flush Mount Modular Mounting Frame

MATERIAL ID	PRODUCT NUMBER	DESCRIPTION	COLOR
108265430	M108FR3-003	M108 Flush Mounted Modular Mounting Frame, three port	Black
108265448	M108FR3-246	M108 Flush Mounted Modular Mounting Frame, three port	Ivory
108265455	M108FR3-262	M108 Flush Mounted Modular Mounting Frame, three port	White
760181867	M108FR3-266	M108 Flush Mounted Modular Mounting Frame, three port	ProWhite
108265463	M108FR3-270	M108 Flush Mounted Modular Mounting Frame, three port	Gray



19" Racks

MATERIAL ID	PRODUCT NUMBER	DESCRIPTION
760082479	RK3-45A	2-post aluminum rack, 3" channel, 7 ft (12-24 tapped rails)
760082487	RK3-52A	2-post aluminum rack, 3" channel, 8 ft (12-24 tapped rails)
760082495	RK6-45A	2-post aluminum rack, 6" channel, 7 ft (12-24 tapped rails)
760082503	RK6-52A	2-post aluminum rack, 6" channel, 8 ft (12-24 tapped rails)
760082511	RK12-45A	2-post aluminum rack, 12" channel, 7 ft (12-24 tapped rails)
760103010	RK3-17A	2-post aluminum rack, 3" channel, 3 ft (12-24 tapped rails)
760090118	RK3-45S	2-post steel rack, 3" channel, 7 ft (3/8 sq punched)
760090126	RK3-52S	2-post steel rack, 3" channel, 8 ft (3/8 sq punched)
760090134	RK6-45S	2-post steel rack, 6" channel, 7 ft (3/8 sq punched)
760090142	RK6-52S	2-post steel rack, 6" channel, 8 ft (3/8 sq punched)
760082529	RK4P45-29A	4-post aluminum rack, 29", 7 ft (12-24 tapped rails)
760082537	RK4P52-29A	4-post aluminum rack, 29", 8 ft (12-24 tapped rails)
760082560	RK4P45-36A	4-post aluminum rack, 36", 7 ft (12-24 tapped rails)
760082578	RK4P52-36A	4-post aluminum rack, 36", 8 ft (12-24 tapped rails)
760082545	RK4P45-29S	4-post steel rack, 29", 7 ft (3/8 sq punched)
760082552	RK4P52-29S	4-post steel rack, 29", 8 ft (3/8 sq punched)
760082586	RK4P45-36S	4-post steel rack, 36", 7 ft (3/8 sq punched)
760082594	RK4P52-36S	4-post steel rack, 36", 8 ft (3/8 sq punched)

Shelves

MATERIAL ID	PRODUCT NUMBER	DESCRIPTION
760162008	SHELF-19-2U-10	Cantilever Shelf, 19" x 2U x 10D, black
760162016	SHELF-19-2U-14	Cantilever Shelf, 19" x 2U x 14D, black
760162024	SHELF-DS-19-2U-19	Double Sided Shelf, 19" x 2U x 19D, black
760126032	SHELF-HD-DS-10-4U-26	Double Sided Heavy Duty Shelf, 19" x 2U x 26D, black
760162040	SHELF-ADJ-19-1U-24X36	Adjustable Shelf, 19" x 1U x 24-36D, black
760162057	SHELF-KEY-19-2U-8	Roll Out Keyboard Tray, 19" x 2U x 8D, black

Filler Panels

MATERIAL ID	PRODUCT NUMBER	DESCRIPTION
760162065	FPANEL-19-1U	Filler Panel, 1U x 19"
760162073	FPANEL-19-2U	Filler Panel, 2U x 19"
760162081	FPANEL-19-3U	Filler Panel, 3U x 19"



Horizontal Cable Management

MATERIAL ID	PRODUCT NUMBER	DESCRIPTION
760072942	HTK-19-SS-1U	1U 19" Single Sided Horizontal Trough Kit
760072959	HTK-19-SS-2U	2U 19" Single Sided Horizontal Trough Kit
760072967	HTK-19-SS-3U	3U 19" Single Sided Horizontal Trough Kit
760128843	HTK-19-DS-1U	1U 19" Double Sided Horizontal Trough Kit
760128850	HTK-19-DS-2U	2U 19" Double Sided Horizontal Trough Kit
760128868	HTK-19-DS-3U	3U 19" Double Sided Horizontal Trough Kit



Vertical Cable Management

MATERIAL ID	PRODUCT NUMBER	DESCRIPTION
760089342	VCM-DS-84-6B	Double Sided 6 X 84 VCM, black doors
760089359	VCM-DS-84-8B	Double Sided 8 X 84 VCM, black doors
760089367	VCM-DS-84-10B	Double Sided 10 X 84 VCM, black doors
760089375	VCM-DS-84-12B	Double Sided 12 X 84 VCM, black doors
760089425	VCM-SS-84-6B	Single Sided 6 X 84 VCM, black doors
760089433	VCM-SS-84-8B	Single Sided 8 X 84 VCM, black doors
760089441	VCM-SS-84-10B	Single Sided 10 X 84 VCM, black doors
760089458	VCM-SS-84-12B	Single Sided 12 X 84 VCM, black doors
760072785	VCM-DS-84-6	Double Sided 6 X 84 VCM, silver doors
760072793	VCM-DS-84-8	Double Sided 8 X 84 VCM, silver doors
760072801	VCM-DS-84-10	Double Sided 10 X 84 VCM, silver doors
760072819	VCM-DS-84-12	Double Sided 12 X 84 VCM, silver doors
760072868	VCM-SS-84-6	Single Sided 6 X 84 VCM, silver doors
760072876	VCM-SS-84-8	Single Sided 8 X 84 VCM, silver doors
760072884	VCM-SS-84-10	Single Sided 10 X 84 VCM, silver doors
760072892	VCM-SS-84-12	Single Sided 12 X 84 VCM, silver doors

Lined area for taking notes.

CommScope, (NASDAQ: COMM)

helps companies around the world design, build and manage their wired and wireless networks. Our network infrastructure solutions help customers increase bandwidth; maximize existing capacity; improve network performance and availability; increase energy efficiency; and simplify technology migration. You will find our solutions in the largest buildings, venues and outdoor spaces; in data centers and buildings of all shapes, sizes and complexity; at wireless cell sites and in cable headends; and in airports, trains, and tunnels. Vital networks around the world run on CommScope solutions.



CommScope Certified Report Systems

WebTrak® gives you on-line factory test reports for Fiber, Hybrid Fiber, Twisted Pair Cables, Cable Assemblies and Base Station Antennas.

cTrak is our latest FREE mobile app to access factory tests on the go from your iPhone or iPad. Available on iTunes.



On-line Self Paced Training Courses

Available on our website through the CommScope Infrastructure Academy.
