

Application

The APX41 is constructed for land mobile services in the HF-band 1.6-30 MHz. It consists of three whip sections and a base assembly. The base section is equipped with heavy duty spring coil to absorb shocks and to allow for a semi-permanent deflection of the antenna when the vehicle is on-the-move. To give better performance at lower frequencies while static, it is possible to add up to three more sections.

Electrical specification

Frequency range	1.6 - 30 MHz
Impedance	Depending on mounting, see table overleaf
Power rating	400 W CW
Radiation diagram	Omnidirectional
Electrical length	4.2 m (13.8 ft)
Polarization	Vertical

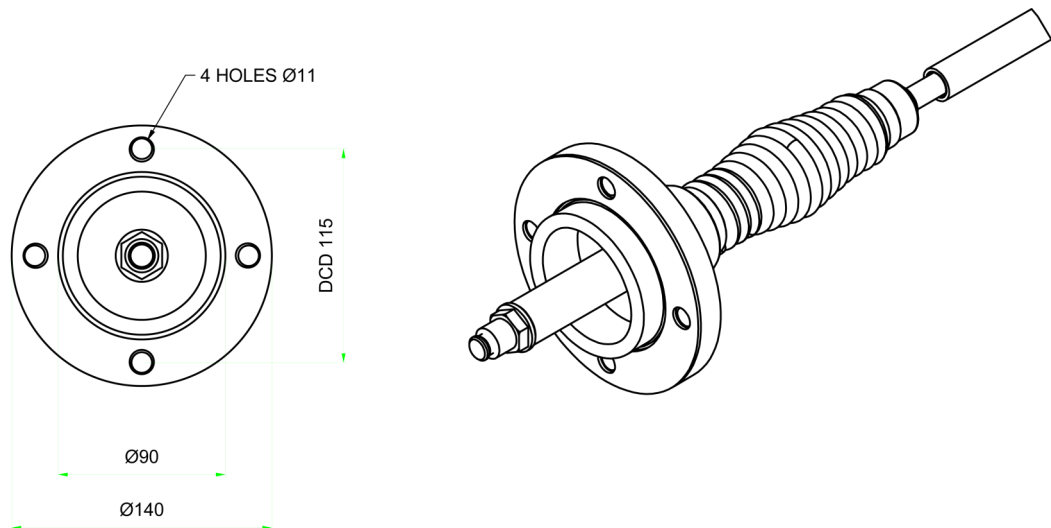
Mechanical specification

Design	End fed whip. Radiating elements completely enclosed in epoxy/ fibreglass laminate. Metal parts are brass and stainless steel.
Length, mounted	4.20 m (13.8 ft)
Weight	4.5 kg (9.9 lb)
Wind rating	55 m/s = 125 mph
Finish	Polyurethane lacquer, olive drab.
Temperature range	-55 °C, +71 °C; -67 °F, +160 °F

Mounting

The base fits into a standard NATO four-bolt bracket type. See over for detail.

Base Mounting



Typical Impedance Values

Frequency (MHz)	Impedance APX41
2.0	0.3-j1830
3.0	0.7-j1203
4.0	1.1-j884
6.0	2.6-j555
7.0	4-j456
8.0	5-j379
9.0	6-j316
11.0	10-j216
12.0	13-j175
13.0	16-j137
14.0	19-j102
16.0	29-j36
17.0	34-j4
22.0	94+j168
23.0	117+j209
25.0	188+j301
30.0	792+j425