

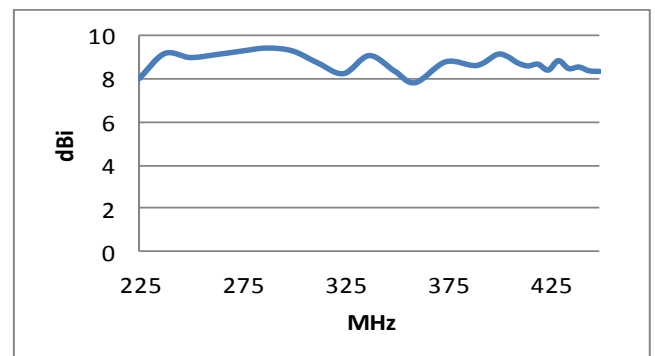


Application

AV30 is designed for mobile military radio link applications. The antenna is of very rugged construction with feeder and connector carefully protected. This makes it well suited for field use.

Electrical specification

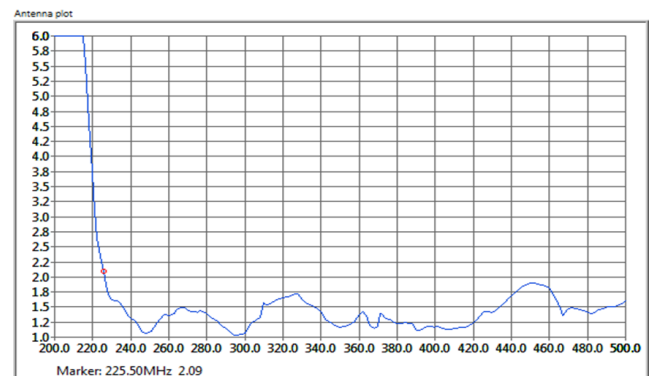
Frequency range	220 - 450 MHz
VSWR	< 2:1
Nominal impedance	50 ohm
Power rating	200 W cw
Gain	See gain curve
Front/back ratio	> 20 db (90% of the band)
Polarization	Adjustable linear
Connector	N type female



Gain (dBi)

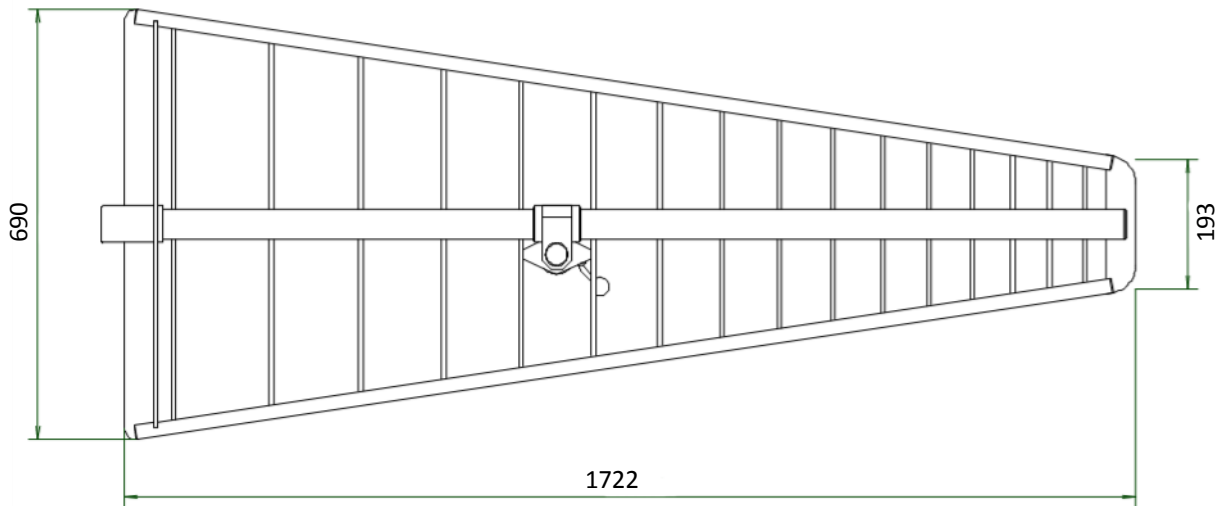
Mechanical specification

Design	Radiating elements and feeder in brass. Feeder are enclosed in epoxy/fibreglass laminate and filled with P.U. foam. The elements are protected with a fibreglass frame.
Weight	6.5 kg
Wind loading 30 m/s	Horizontal: 5 kg Vertical: 9 kg
Finish	Polyurethane lacquer, olive drab.
Temperature range	-55 °C, +55 °C; -67 °F, +131 °F



VSWR

Outline Drawing

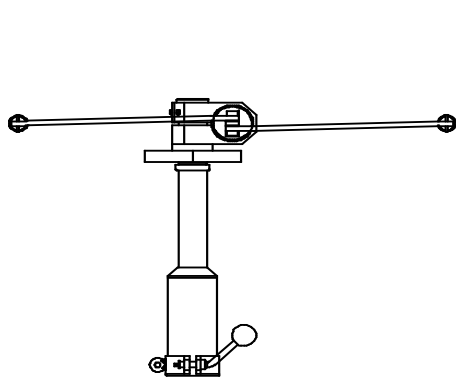


Mounting:

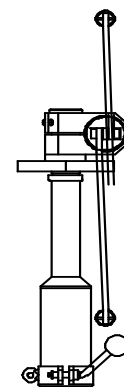
The antenna is supplied with a 50mm mounting socket for mounting onto a 50mm mast spigot. The polarization is set by the position of the spigot (see below). Customer specified mountings are also available on request.



AV30-2 shown mounted in horizontally polarized position



Horizontal Polarization



Vertical Polarization