



General Description & Application

Tactical whip antennas, high gain UHF wideband, center-fed, designed to be installed on military vehicles (Jeeps, LAV, Armored vehicles, ...), working with all UHF hopping combat radio in the range 225 to 400MHz.

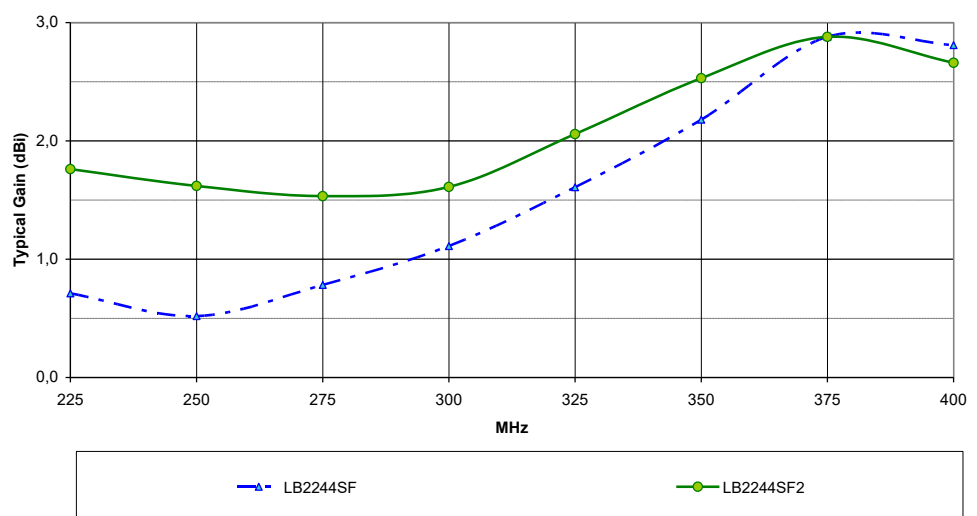
The whip is made of high resistance fiberglass reinforced Epoxy resin.

A mast adapter is available as an option

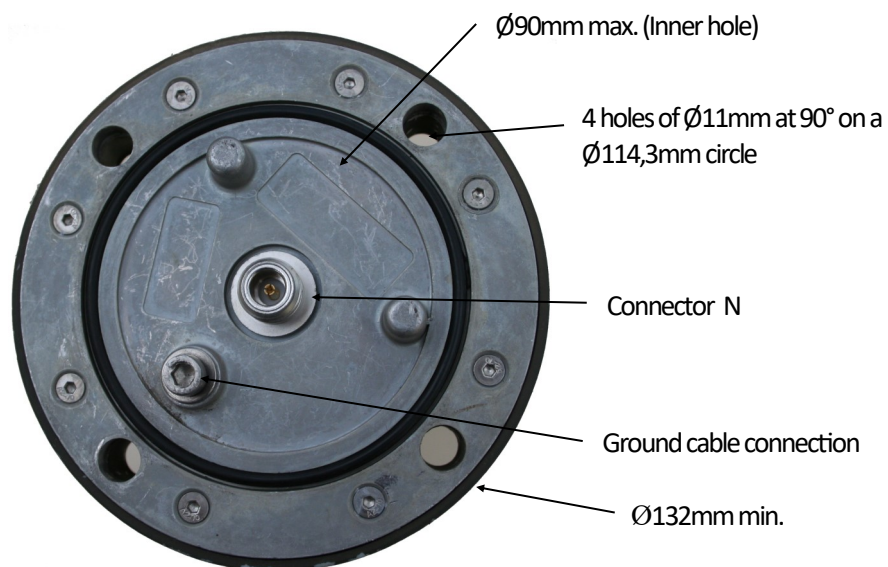
Specification

Frequency Range	225 -400 MHz
Total Height	1.6m
Weight	≤ 3kg
Polarisation	Vertical
VSWR	≤ 2.6:1
Impedance	50 Ω
Gain (Typical)	1.5-3dBi
Power	50w
Connection	N type female
Wind Speed (operational)	160 km/h
Oak Beam Resistance	25 impacts at 40km/h
Temperature Range (operational)	-35°C to +55°C
Temperature Range (storage)	-40°C to +70°C
Salt Fog	96 hours

UHF antennas gain



Vehicle Installation



Installation on mast

The LB2244SF2 antenna may also be installed on a Ø40mm mast, thanks to its optional mast adapter.

The whip may be dismantled from vehicle and be used on mast adapter for mast installation.

COMROD can also provide masts to support one or two antennas.

