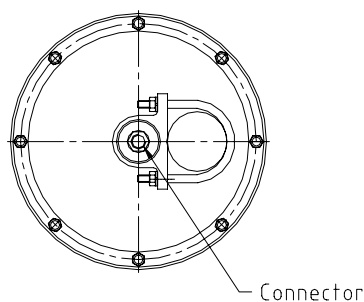
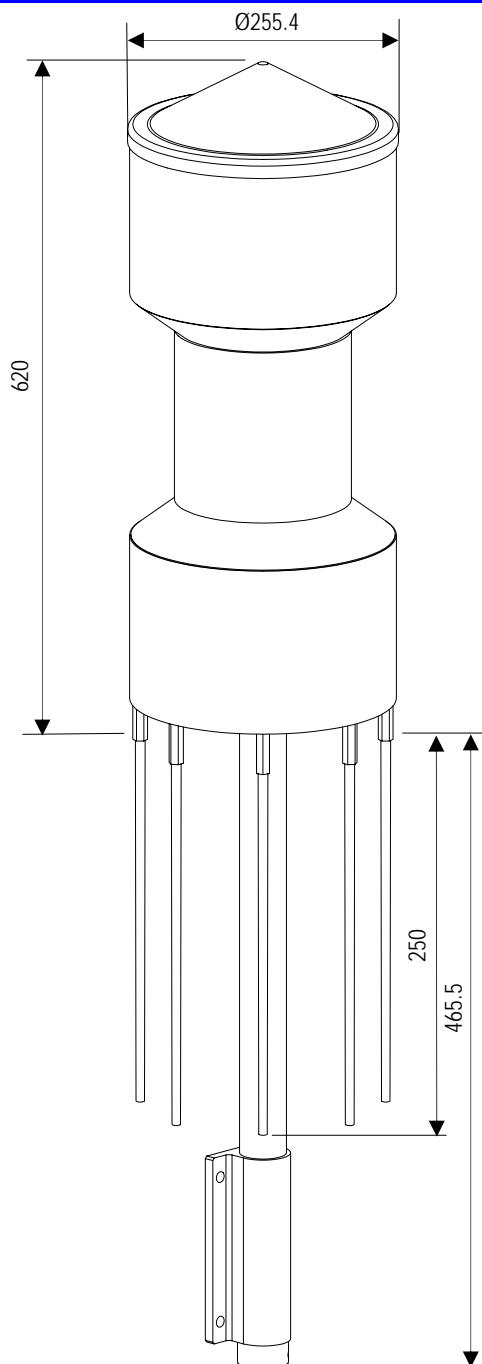


COMROD AC10

Broad band VHF/UHF antenna



Bottom view

Application:

The AC10 is a broad band antenna for a very large frequency range in the VHF and UHF bands. Based on your requirements, it can be delivered with or without the lower whips that extends the bottom frequency limit. The construction is very rugged, and the antenna is well suited for use on ships, and in other harsh environments.

Electrical specifications:

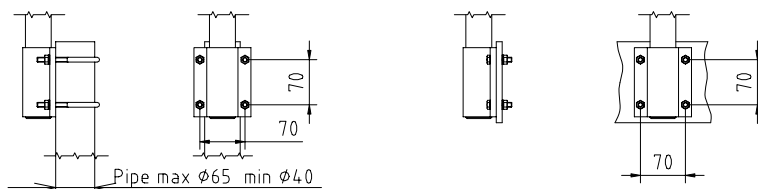
Frequency range	115-1500 MHz, with lower whips * 160-1500 MHz, without lower whips
Impedance	50 Ω
Power rating	500W < 400MHz, 250W > 400MHz
Radiation pattern	Horizontal plane: Omnidirectional
Gain	2dBi typ.
Polarization	Vertical
VSWR	$\leq 2/1$
Connector	N-female, or other on request.

* 100-1500MHz available on request

Mechanical specifications:

Design	Broadband coaxial dipole. Made from aluminium and fibreglass.
Length	106cm with base
Weight	5 kg
Wind rating	55 m/s
Moment of flexure	200 Nm at 55m/s
Finish	Polyurethane lacquer, white. Other colours on request.
Temperature range	-55 °C, +71 °C; -67 °F, +160 °F

Mounting:



Must withstand moment of flexure (see mechanical specifications)
Use bolts and nuts M10

Nato codification complete antenna

5985-25-146-8623