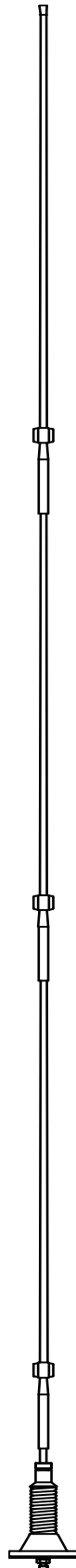


COMROD APX41-LP

HF/VHF-band Mobile Whip



Application:

The APX41 is constructed for land mobile services in the HF/VHF-band 1.5 - 60 MHz. It consists of three whip sections and a base. The base is equipped with heavy duty spring coil to absorb shocks and to allow for a semi permanent deflection of the antenna when moving the vehicle. To give better performance on lower frequencies, it is possible to add up to three more sections. On higher VHF frequencies one section can be removed to give a better radiation pattern.

Electrical specifications:

Frequency range	1.5 - 60 MHz
Impedance	Depending on installation, see overleaf
Power rating	100 W cw
Radiation diagram	Omnidirectional
Electrical length	4.2 m, dependent on number of sections used
Polarization	Vertical

Mechanical specifications:

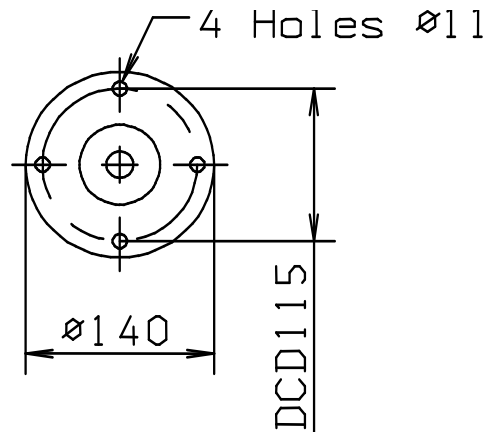
Design	End fed whip. Radiating elements completely enclosed in epoxy/fibreglass laminate. Metal parts are brass and stainless steel.
Length, mounted	4.20 m, with three sections
Weight	4.5 kg
Wind rating	55 m/s = 125 mph
Finish	Polyurethane lacquer, olive drab.
Temperature range	-55 °C, +71 °C; -67 °F, +160 °F

Mounting:

The base fits into a standard NATO four-bolt bracket type.

Nato codification complete antenna	
------------------------------------	--

Base:



Impedance

Including ground resistance, on the edge of a 3x3m ground plane.

Frequency	Re	Im
1.000MHz	198	-2708
1.600MHz	196	-1699
3.100MHz	19	-828
5.200MHz	27	-443
7.300MHz	78	-293
9.400MHz	17	-230
11.500MHz	14	-160
13.600MHz	14	-90
15.699MHz	22	-27
17.799MHz	38	52
19.899MHz	75	142
22.000MHz	179	287
24.100MHz	638	381
26.200MHz	715	-345
28.299MHz	311	-427
30.399MHz	166	-336
32.500MHz	79	-266
34.599MHz	44	-195
36.700MHz	38	-145
38.799MHz	29	-110
40.900MHz	25	-75
43.000MHz	24	-42
45.099MHz	27	-6
47.200MHz	33	33
49.299MHz	50	80
51.400MHz	90	141
53.500MHz	192	208
55.599MHz	421	167
57.700MHz	457	-173
61.00MHz	131	-220