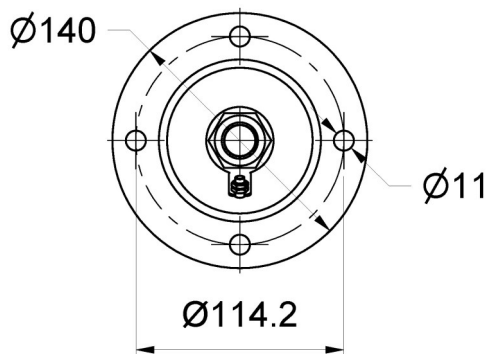


Rigid base version shown



Application:

The UHF400512VM is a broadband dipole antenna covering the 400 to 600MHz frequency range. It will also operate up to 700 MHz with a slightly increased VSWR. It is intended to be used on all platforms including vehicles, shelters and masts.

The antenna needs no adjustments for different frequencies as all the tuning elements are within the whip. As a dipole antenna it does not require a ground plane to operate.

The antenna can be supplied with either a NATO 4-hole rigid or spring base. Mast brackets are also available to allow the radiating element to be elevated on a suitable mast. Comrod has a range of masts suitable for this purpose. Please contact sales@comrod.com for further information.

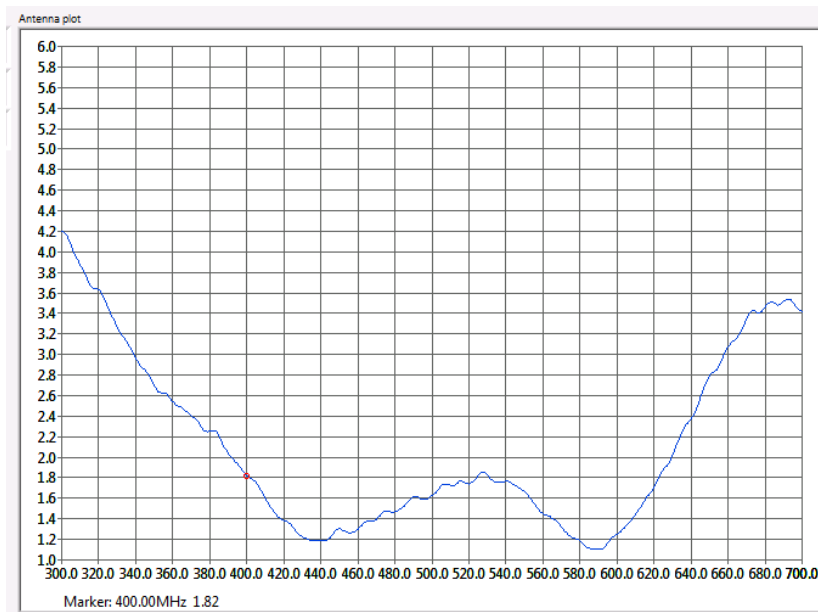
Electrical specification:

Frequency range	400-700MHz
VSWR	400-600 MHz < 2.5 600-700 MHz < 3.5 (see diagram overleaf)
Impedance	50 ohm
Power rating	50 W
Gain	0.5... 2 dBi
Radiation pattern	Azimuth: Omnidirectional Vertical: Dipole pattern
Polarisation	Vertical
Connector	BNC female, others on request

Mechanical specification:

Design	Centre fed dipole. Radiating element completely enclosed in epoxy/fiberglass laminate. Metal parts are brass and stainless steel.
Length	0.56m, with standard rigid VM base
Weight	Whip: 0.8kg Base: 1.4kg
Wind rating	55 m/s = 125 mph
Finish	Polyurethane lacquer, olive drab.
Temp range	-55 °C, +71°C; -67 °F, +160 °F

VSWR



Base Options

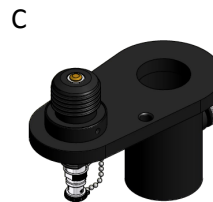


A
NATO 4-hole Spring
4 x M10 or 3/8" Bolts
on 114mm (4.5in) PCD
Base diameter 140mm (5.5in)
Base height 215mm (8.5in)



B
NATO 4-hole Rigid
4 x M10 or 3/8" Bolts
on 114mm PCD
Base diameter 140mm (5.5in)
Base height 100mm (4in)

Mast Bracket Options



C
Mast Mount Bracket
40mm (1.57in) Socket
50mm (1.97in) Socket
Customer Specified



D
Mast Mount Bracket
24mm (0.94in) Spigot
40mm (1.57in) Spigot
50mm (1.97in) Spigot
Customer Specified

Base to element connector option

A special version is available with a Comrod CEF connector between the base and radiating element (UHF400512VM/CEF). This radiating element can then be used on the standard Comrod VHF30512CEF multiband antenna base.



Fig 1 - VM base connection
(used on standard version
UHF400512VM)



Fig 2 - CEF base connection
(used on special version
UHF400512VM/CEF)