





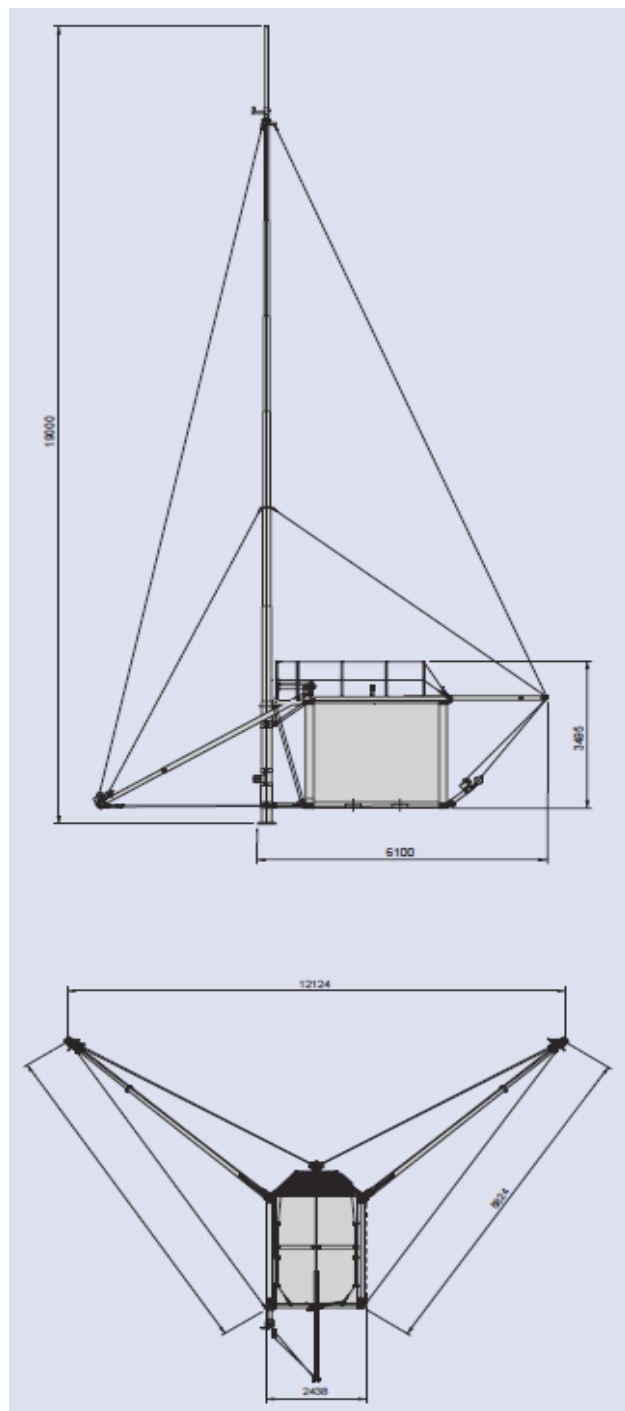
ISO Quick Erect Mast

The ISO quick erect mast kit is a heavy duty portable telescopic mast assembly fitted to a standard ISO container. Self contained telescopic outriggers eliminate the need for ground mounted anchor stays meaning that no special site preparation is required. It is a highly versatile mast system capable of providing quick and cost effective deployment of modern day communication requirements such as temporary cellular phone sites, restoration of disaster area communications or temporary cellular phone capacity increase.



Specification - Telescopic Mast Kit for ISO Container

MAST TM 210/19.3-3.1	
Elevated Height	16.8m (55ft)
Elevated Height (with hinged extension tube)	19m (62ft)
Retracted Height	3.1m (10ft)
Guy Radius	7m (23ft)
Number of Guys / Levels	3 x 2
Mast Sections	
Number of Sections	7
Bottom Tube Diameter	Ø210mm (8.3in)
Top Tube Diameter	Ø88mm (3.5in)
Extension Tube Diameter	Ø70mm (2.8in)
Elevation System	
Electric Powered	28VDC
Performance	
Maximum Topload	Sector Antennas 60kg (132lbs) Mini Link 40kg (88lbs) Maximum 100kg (220lbs)
Maximum Wind Area	1.5m ² (16ft ²)
Mini Link Maximum Diameter	0.6m (6.5ft ²)
Maximum Set-Up Windspeed	10m/s (22.5mph)
Operation Performance at 20m/s	
Pointing error, mini link (max height 18.5m)	≤0.5°
Pointing error, sector antennas (max height 19.9m)	≤1.0°
Survival Windspeed	30m/s (67mph)
Container Kit	
Telescopic aluminium outriggers for guy attachment including winches	
Upper and lower platforms	
Ladder weight	520kg (1144lbs)
Time for installation	
Container	30 mins
Mast	30 mins



Aluminium Telescopic Mast Series Overview

Comrod's patented telescopic masts are designed to meet the requirements of today's modern tactical communications market. Comrod masts are used worldwide by military forces, emergency services, geodetic surveyors, radio and TV broadcasting, emergency services, temporary illumination, etc. Every mast detail and stay assembly is designed to resist external forces and to ensure quick, safe erection. In service masts have proven reliability in hostile environments including arctic and tropical regions as well as desert environments. Comrod manufactures lightweight masts for a wide range of head loads up to an extended height of 18 m. Masts are normally hand cranked but can also be hoisted by an optional electric motor. Comrod's telescopic masts can be rotated 360° to enable azimuth pointing of headloads. Masts can be customised with variations on extended height, retracted length, headload support system, etc. Comrod also offers a full range of headload rotators, tilters and mounting kits for vehicles and shelters.