

OVERVIEW

- The TM128/6.5-1.6 is a quick erect self supporting aluminium telescopic mast capable of elevating top loads up to 40kg*
- Cost effective solution for vehicle or shelter integration.
- 20 seconds deployment time with motorised winch with emergency hand crank backup.
- Hand crank version available.
- Fully extended height 6.5 metres.
- Retracted height 1.6 metres.
- Suitable for elevating top loads such as antennas, sensors, optronic equipment etc.
- Mast tube sections manufactured from aluminium.
- All metal parts are plated or painted aluminium or stainless steel.
- Meets MIL-STD-810F environmental standard for operation in extreme conditions.



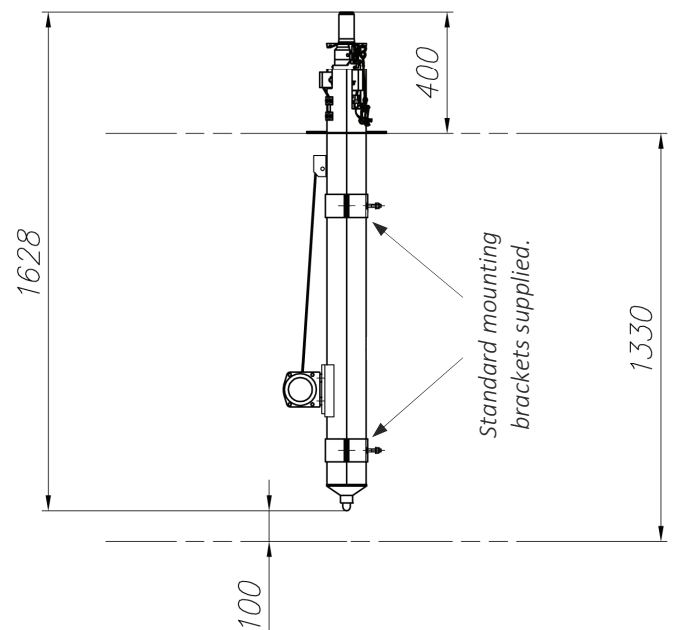
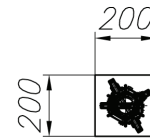
* Depending on top load wind surface area

TYPICAL INSTALLATION



SPECIFICATION

Mast Type	TM 128/6.5-1.6	
Elevated length overall (m), ft	6.5	21.3
Retracted length overall (m), ft	1.6	5.2
Number of sections	7	
Weight: Mast (kg), lbs	30	66
Wind speed survival (m/s), mph	36	79
Max vertical topload (kg), lbs	40	88
Time for elevation (s)	20	
Voltage (VDC)	12 or 24	



The hexagonal sections move inside each other on plastic guideways which provide the masts with excellent stability and torsional resistance.

