

Features:

- 2 -30 MHz
- Designed for use with mobile HF communication radios
- Adjustable wire dipole with frequency markers
- Lightweight
- Can be deployed using suitable mast or hoisted up an existing structure.
- Fast deployment
- Packs down into a compact light weight bag for transportation
- Standard and enhanced version available (see page 2 for details)

Electrical specification

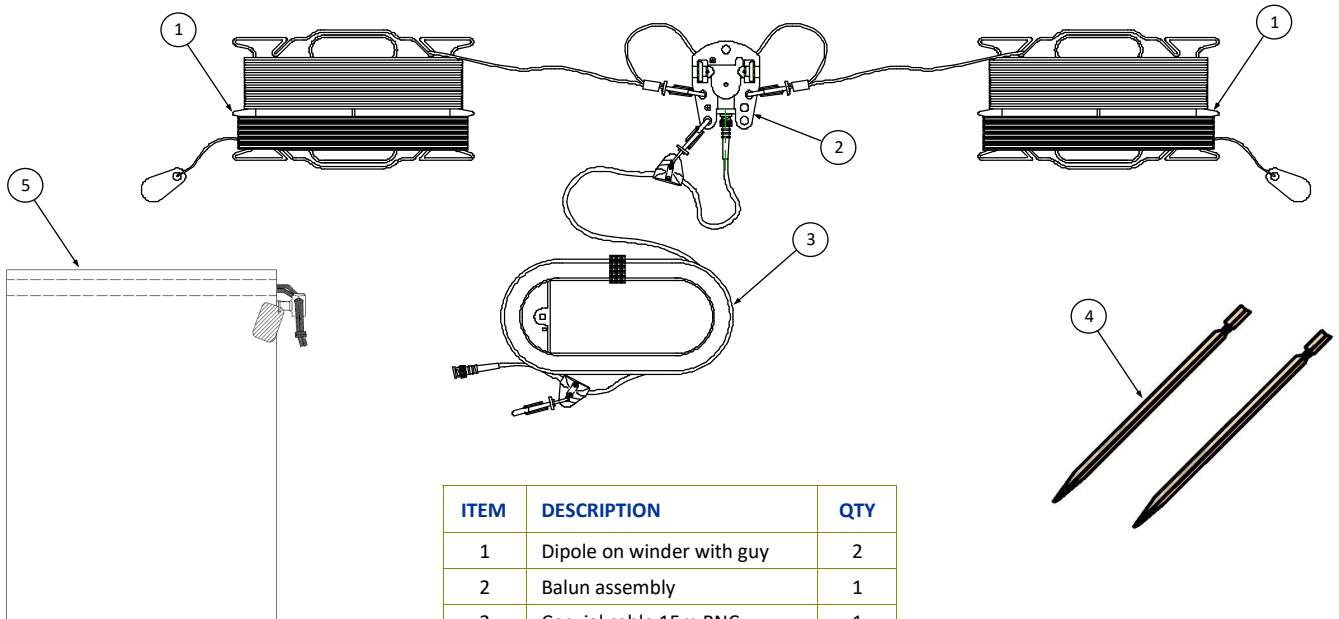
Frequency range	2 - 30 MHz
VSWR	> 2:1
Nominal impedance	50 ohm
Power, max	400 W PEP
Connector	Centre junction - BNC female

Mechanical specification

Design	Centre junction, two adjustable dipole arms on winders, coaxial cable.
Length: Dipole arms (x2)	Adjustable 1.5 - 35 m
Weight	Standard Version - 2.6 kg Enhanced Version - 3.2 kg
Temperature range	-55 °C, +71 °C; -67 °F, +160 °F

Standard Kit (HF230AWD-S)

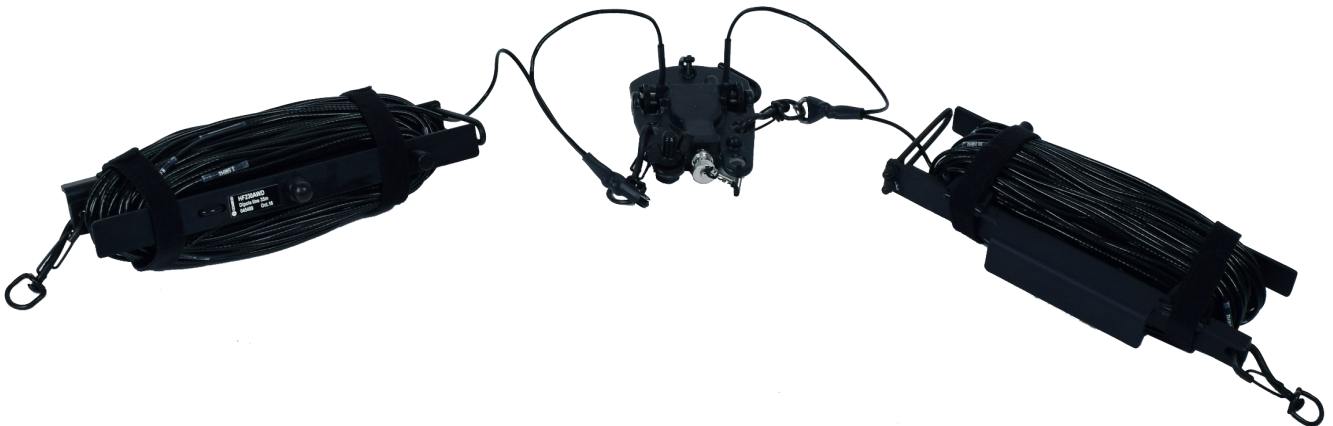
The standard version of the HF230AWD enables simple HF communications. The kit contains two combined dipole/guy winder assemblies, balun assembly, cable assembly and two stakes all supplied in a simple carrying bag.



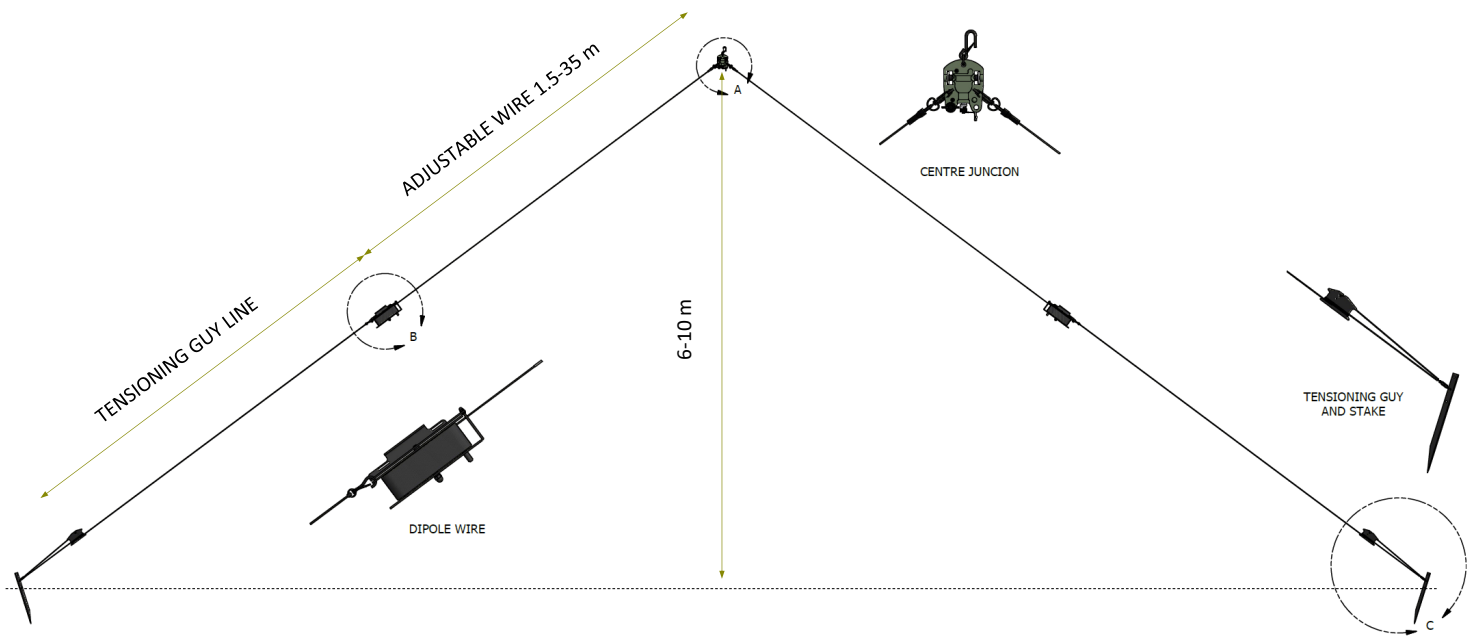
ITEM	DESCRIPTION	QTY
1	Dipole on winder with guy	2
2	Balun assembly	1
3	Coaxial cable 15m BNC	1
4	Stake	2
5	Carrying bag	1

Enhanced Kit (HF230AWD)

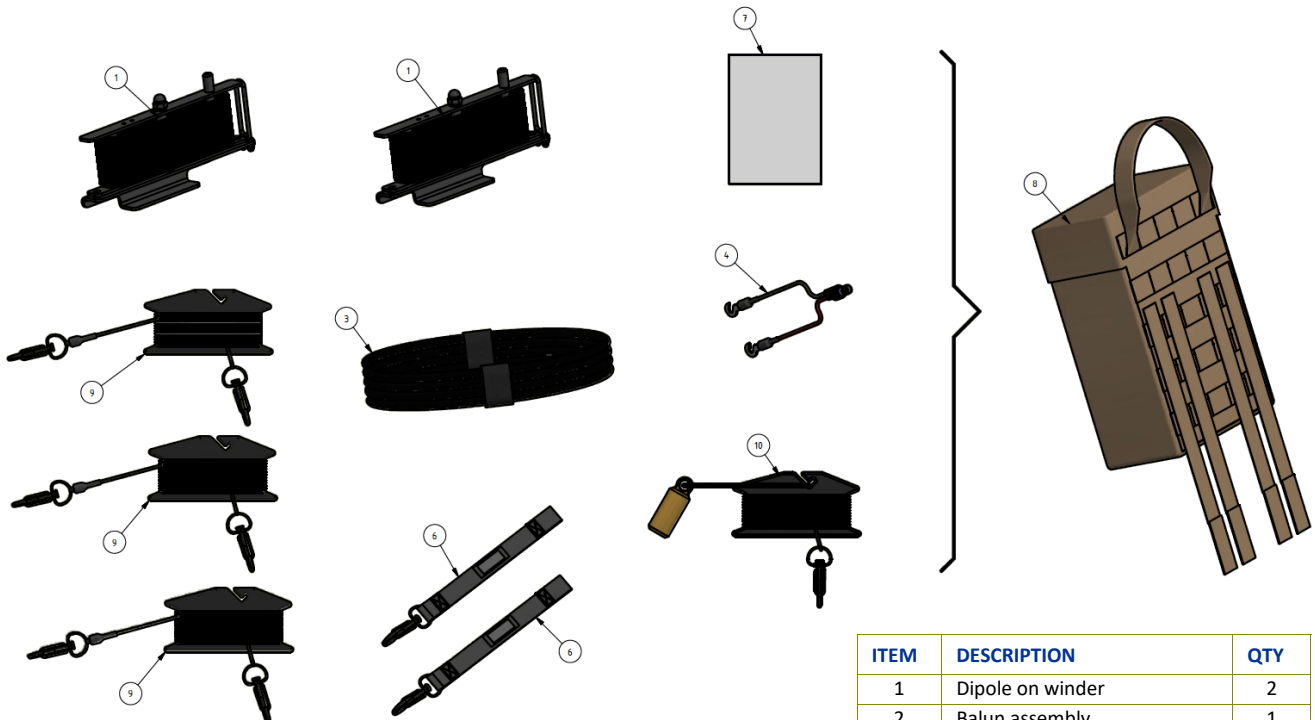
The enhanced kit includes separate dipole and guy winders. The dipole lines are wound onto metal winders that incorporate a winding mechanism. The kit also contains a throwing cord for deployment over an existing structure, dipole retainer straps when space is limited and a cable adaptor to convert the BNC connector to two spade connections. The kit is supplied in a small carrying bag.



Enhanced Kit (HF230AWD)



Enhanced Kit Contents



ITEM	DESCRIPTION	QTY
1	Dipole on winder	2
2	Balun assembly	1
3	Coaxial cable 10m	1
4	Adaptor cable - BNC	1
5	Stake	2
6	Dipole retainer straps	2
7	User manual	1
8	Carrying bag	1
9	Guy on winder	3
10	Throwing cord	1