

Application:

The VHF3088EF is a VHF vehicle antenna operating over the 30-88 MHz frequency band. It has been designed for use on all modern in service military platforms, including armoured or soft skin, metal chassis or composite, wheeled or tracked. The antenna is a monopole design so requires a ground plane to operate. The antenna has a built in mil-spec GPS active receiving antenna. The GPS antenna performance is not affected by the use of full transmitting power on VHF. Bases are available for vehicle, mast and fixed mounting.

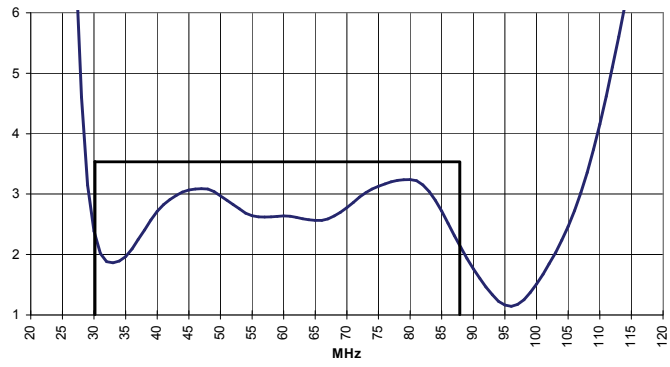
Electrical specifications:

Frequency range	30 - 88 MHz
VSWR	see diagram, overleaf
Nominal impedance	50 ohm
Power rating	100 W cw
Gain	see diagram, overleaf
Radiation pattern	Azimuth: Omnidirectional
Polarization	Vertical
Connector	to be specified GPS: SMA Female
GPS frequency range:	L1, 1575.42 ± 10MHz
GPS preamplifier gain:	26.5 dB
GPS noise figure:	2.5dB
GPS supply voltage:	5.0 ± 0.5V
GPS supply current::	< 40mA

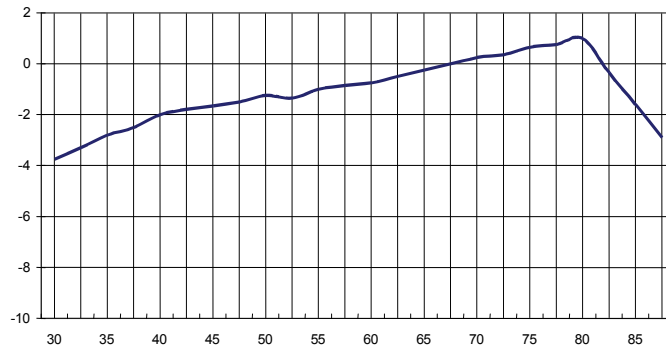
Mechanical specifications:

Design	End fed whip. Radiating elements completely enclosed in epoxy/fibreglass laminate. Metal parts are brass and stainless steel.
Length, mounted	2.6 m
Length, dismounted	1.27m
Weight	2.7 kg
Wind rating	55 m/s = 125 mph
Finish	Polyurethane lacquer, olive drab.
Temperature range	-55 °C, +55 °C; -67 °F, +131 °F

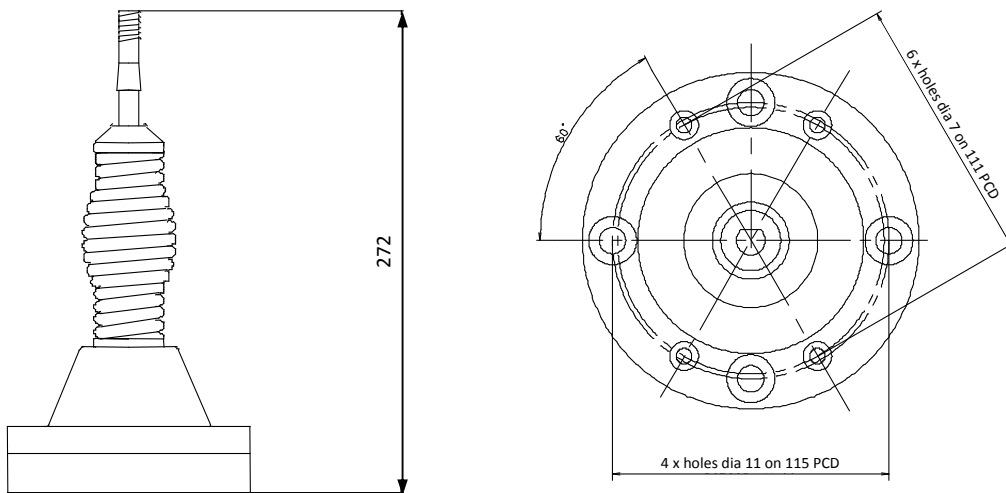
VSWR



GAIN, relative ¼ whip



Base Detail



The mounting hardware supplied makes VHF3088EF usable for both vehicle and permanent installations.