

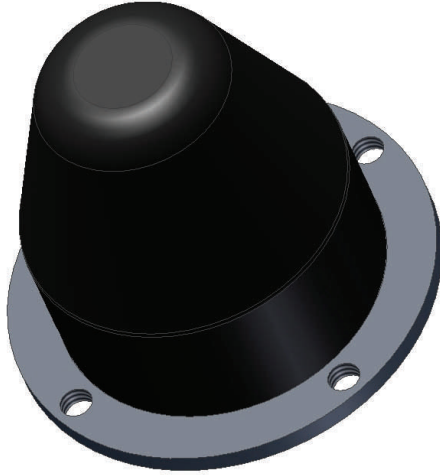
COMROD UHF2450LP

Wireless LAN Antenna

Description:

Small antenna for WLAN.

All cavities are foam filled.

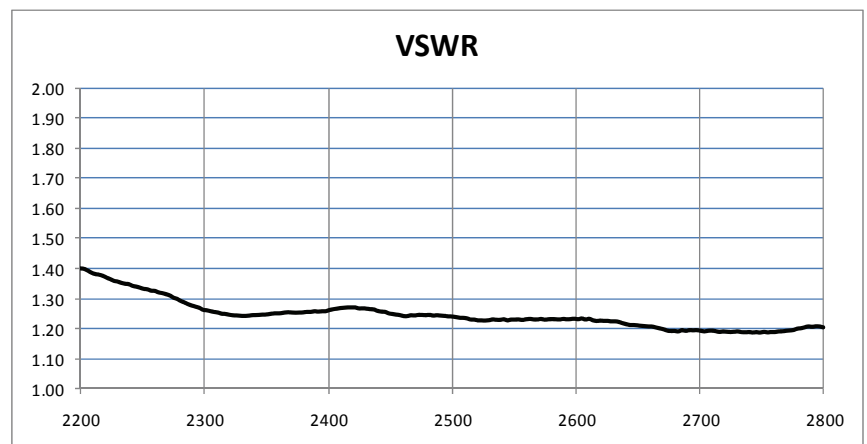
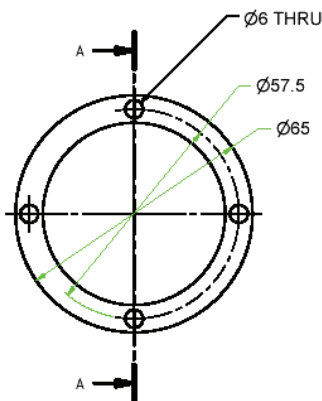


Electrical specifications:

Frequency range	2400 - 2490 MHz
VSWR	< 1.5
Nominal Impedance	50 ohm
Power rating	5 W
Gain	+2dBi
Polarization	Vertical
Radiation pattern	Omni directional
Connector	SMA - female

Mechanical specifications:

Design	End feed dipole antenna
Dimensions	Height = 56mm Diameter = ø65mm
Weight	Approx. 95g
Finish	Black
Temperature range	-55 °C, +71 °C; -67 °F, +160 °F



Typical VSWR curve