

COMROD AV25

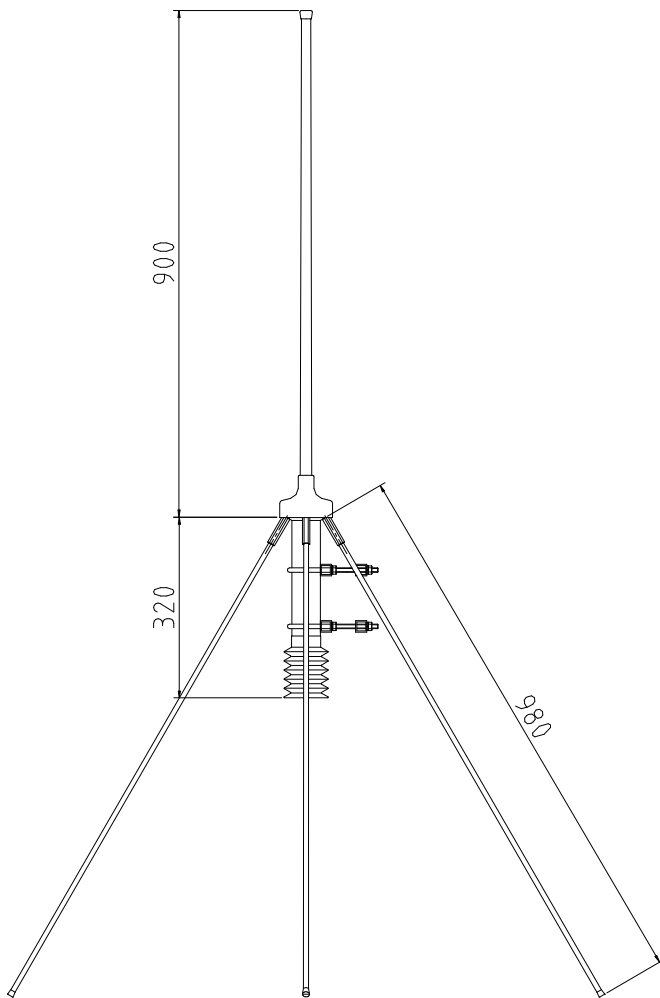
Broadband GP antenna 68-85MHz

Application:

The AV25 is a robust and light weight broad-band ground-plane antenna for the 68-85MHz frequency range.

The AV25 is normally used in permanent installations, but as the radials are easily removed, the antenna is also well adapted to portable use.

AV25 can also be used on ships.



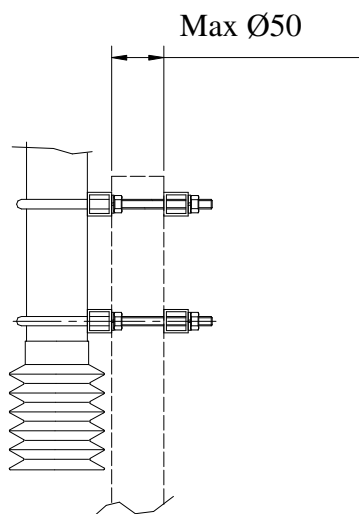
Electrical specifications:

Frequency range	68 - 85MHz
VSWR	≤ 2:1
Nominal impedance	50 ohm
Power rating	100W CW
Gain	2dBi
Radiation pattern	Omnidirectional in H-plane
Polarization	Horizontal
Connector	N-female, or custom specified

The antenna is DC short circuited to prevent static noise, and protect from the influence of lightning.

Mechanical specifications:

Design	Ground plane antenna with 4 radials. Made from
Weight	4 kg
Wind rating	55 m/s = 125 mph
Finish	Polyurethane lacquer, olive drab, UV specified.
Temperature range	-55 °C, +71 °C; -67 °F, +160 °F
Mounting	On ø35 to ø50mm tube



Also available with different mounting configurations.