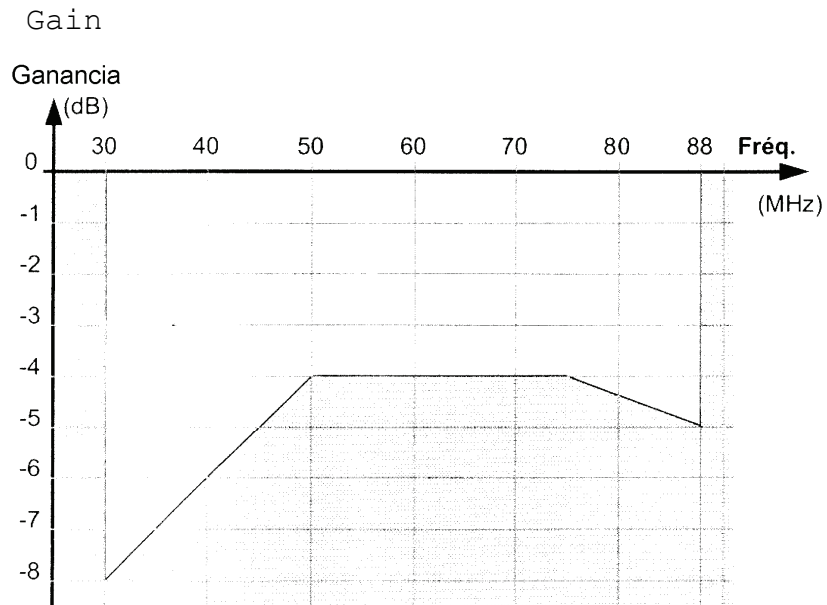


GENERAL DESCRIPTION AND APPLICATION

Center-Fed antenna type particularly designed for vehicles without ground plane:
works in E/R without tuning in the whole band 30-88MHz
protected against EMP threat and compatible with all VHF hopping combat radios
a mast adapter is available as option

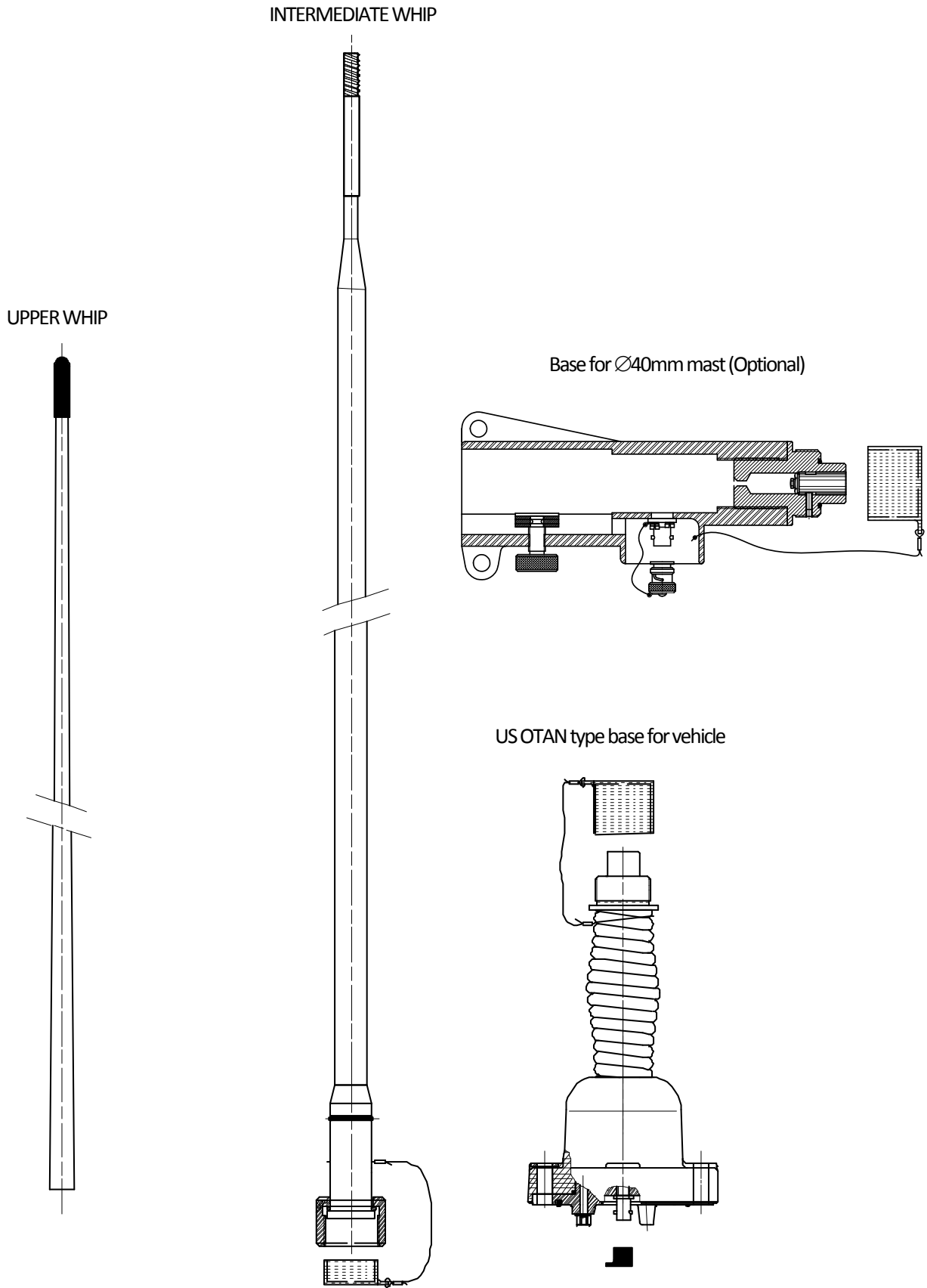
GENERAL CHARACTERISTICS

Frequency range	30 to 88 MHz
Total length	~ 3380mm
Weight	≤3,4kg
Polarization	vertical
VSWR	≤3,5 in the bandwidth 30 to 88 MHz
Characteristic impedance	50 W

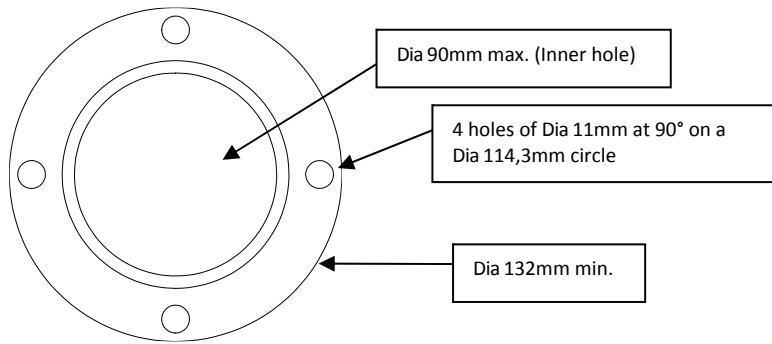


Sketch 1: Typical value of gain vs. Reference dipoles

Test	Specification	GAM-T13 1 st part, sheet n°
<u>MECHANICAL CHARACTERISTICS</u>		
Sinusoid vibrations	B1331, 1h/axe	41-02
Mechanical chocks	3F1 : 3 chocks ½ Sinus ; 50g/11ms	43
Free fall down	BB126 : 1,20m fall down on a pine sheet	46
Passage under gantry	25 passages at 40km/h	-
Endurance test	2000 chocks	-
Whip threading strength	225daN during 1 minute	-
<u>ENVIRONMENTAL CHARACTERISTICS</u>		
Minimal temperature for operation	-40°C	01-01
Minimal temperature for storage	-40°C	01-02
High dry temperature for operation	+70°C	02-01
High dry temperature for storage	+70°C	02-02
High wet temperature for operation	+40°C to 93% HR	03-01
High wet temperature for storage	+40°C to 93% HR	03-01
Salt fog	96 hours at 35°C	04-01
Altitude (operation)	-40°C, 570mbar, 1 hour	05-01
Air transport	-40°C, 265mbar, 2 hours	05-01
Solar radiation	168C1: 168 hours at Xenotest	09
Rain	C1: 500 ±100mm/h, 30mn	12
Immersion	AB1: depth 1m, 2 hours	15
Sand and dust	AA2 for three directions	18
Ice, condensation, unfreezing	5AB2 (5 cycles)	22
<u>ELECTROMAGNETIC CHARACTERISTICS</u>		
Ground continuity	B : $r \leq 10mW$	61
Dielectric strength	Tension of 50Hz, 1500V eff., 1 minute	82
EMP-HA	Compliant with PR4G specification	



VEHICLE INSTALLATION (ANT-213)



INSTALLATION ON MAST (ANT-215)

The LB3088SF/4E (ANT-213) antenna may also be installed on a Dia 40mm mast, thanks to its mast adapter.

Both whips may be dismantled from vehicle and be used on mast adapter for mast installation. LERC can also provide masts to support one or two antennas:



Sketch 2: 2 antennas on ULM-11/QESH mast



Sketch 3: Optional mast adapter Dia 40mm

The ANT-215 antenna is composed of 1 upper whip, 1 intermediate whip and 1 universal mast adapter.