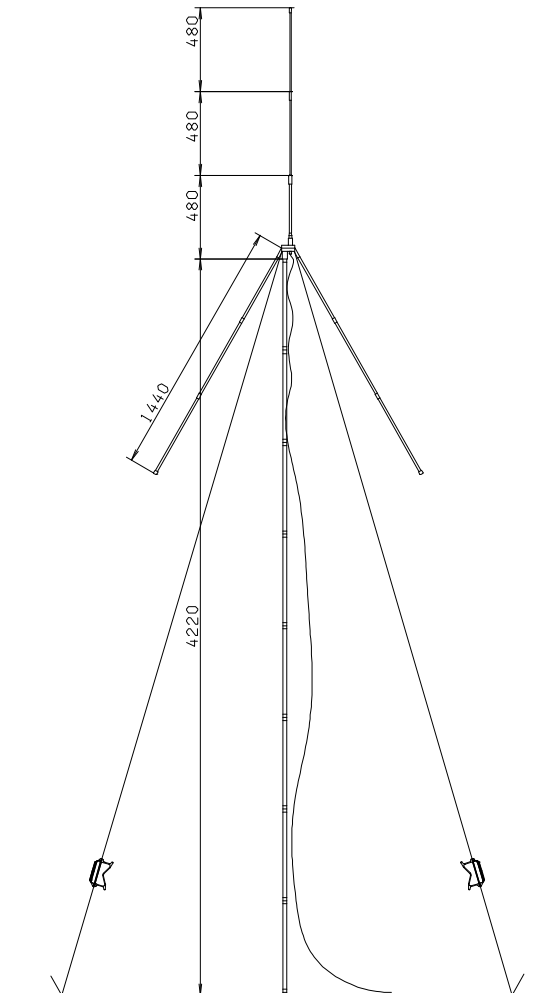


# COMROD VHF3088GP/L

## Portable Sectional Antenna & Mast

### Description:

VHF3088GP/L is an ultra portable, lightweight, dielectric mast with antenna. As the complete system packed for transportation is small and only weights 4kg, it is specially suited for portable applications. It can be erected in just a few minutes, and can also be used handheld for very rapid deployment. The mast sections and base are attached to each other with rubber band to further ease deployment. This also applies to the different parts of the antenna.



### Specifications:

Frequency range:	30 - 88 MHz
VSWR:	<3.5, $\geq$ 75% of frequency range
Nominal impedance:	50 $\Omega$
Power rating:	25W, PEP
Gain:	-10 to 0 dBi
Polarization:	Vertical
Temperature range:	-55 °C, +55 °C; -67 °F, +131 °F
Mast length	4.2 m
Total weight with mast and accessories	4 kg
Size of system packed for transportation.	60*15*15cm

### System parts:

Antenna	1 pc, collapsible ground plane antenna. Olive drab lacquer finish.
Mast sections	8 pcs, fibreglass tube $\varnothing$ 24/20, 520 mm long. Olive drab lacquer finish.
Guy lines with winder	3 pcs, 3mm braided line on winder with adjustable lock and snap hooks each end.
Guy pegs	4 pcs, steel
Base	1 pc, conical aluminum peg.
Carrying bag	1 pc, canvas

The mast design and accessories may be adjusted to various climatic and environmental conditions and special applications.

### VSWR

