

# COMROD HF0130RM/R

## HF Receiving Antenna

### Features:

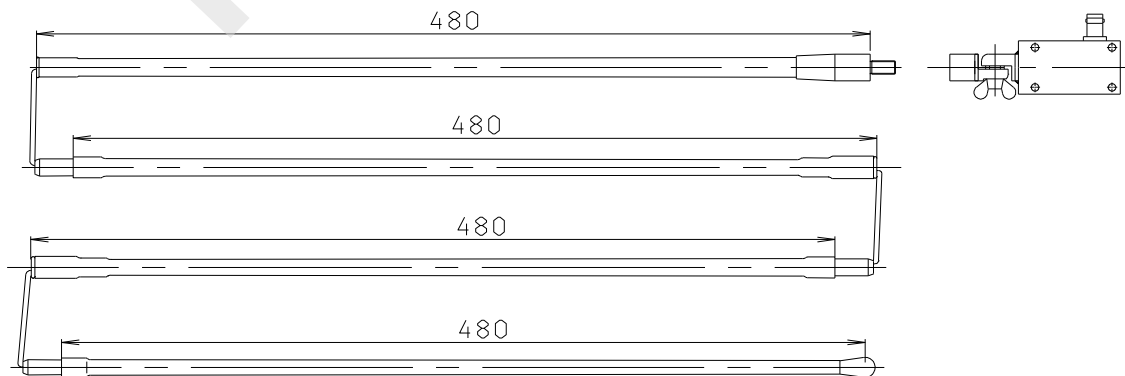
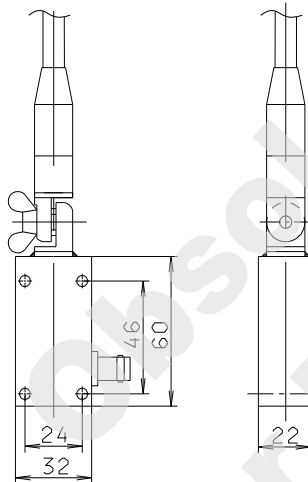
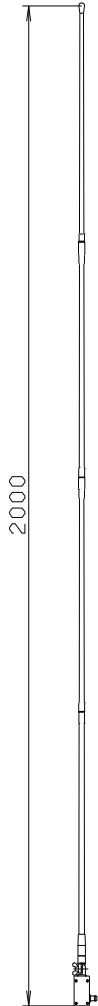
The HF0130RM/R is a MF/HF receiving antenna that is intended to be mounted at the back of the receiver. It contains a transformer that increases the signal strength compared to a plain whip of the same length. The base is adjustable so that the whip can point in different directions. The whip is made from fiberglass sections, and is collapsible.

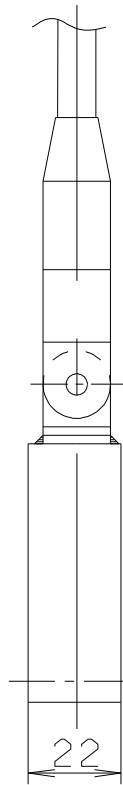
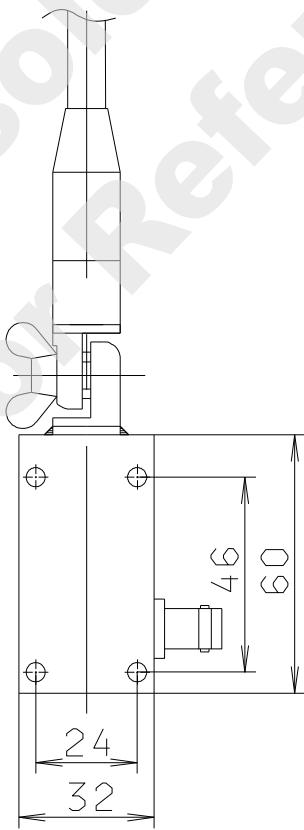
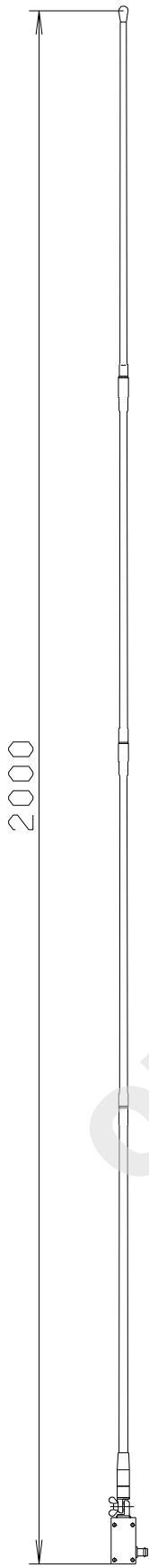
### Electrical specifications:

Frequency range	0.15 - 30 MHz
Gain	10dB at 1MHz compared to plain whip of same length.
Receiver impedance	50 ohm
Radiation pattern	Omnidirectional
Polarization	Vertical
Connector	BNC

### Mechanical specifications:

Design	End fed whip. Made from fiberglass reinforced sections.
Length, mounted	2 m
Weight	0.35 kg
Finish	Colors on request.
Temperature range	-55 °C, +55 °C; -67 °F, +131 °F





Obsolete Product  
For Reference Only