

5 - 10 m unguied sectional whip antennas, tunable in the frequency band 1.5 - 30 MHz with coupler (not provided)

APPLICATION

These Antennas are intended to equip high-power semi-permanent or transportable base stations (telecommunication networks, Shelters, etc.). They can also be used as mobile Antennas.

The antenna model 813 A is interchangeable with the AT1011/U antenna - Federal Stock Number 5985 846 6442.

CONSTRUCTION

The antenna whip comprises several standard length, glassfibre reinforced resin sections which screw together. With its conical shape and varying diameter, the antenna behaves like a solid of the same strength.

The galvanized copper conductor is sunk into the mass of reinforced resin in accordance with the patented SPIRGLASS* process, and the electrical continuity to the assembly ferrules is ensured by welding. The reinforced resin covering protects the conductor against any accidental contact with high-voltage cables.

There are several types of bases which permit the mounting of a 5 or 10 m unguided whip antenna either on even surfaces or on vehicles. Guys are required for longer Antennas. (Please contact us in these cases).

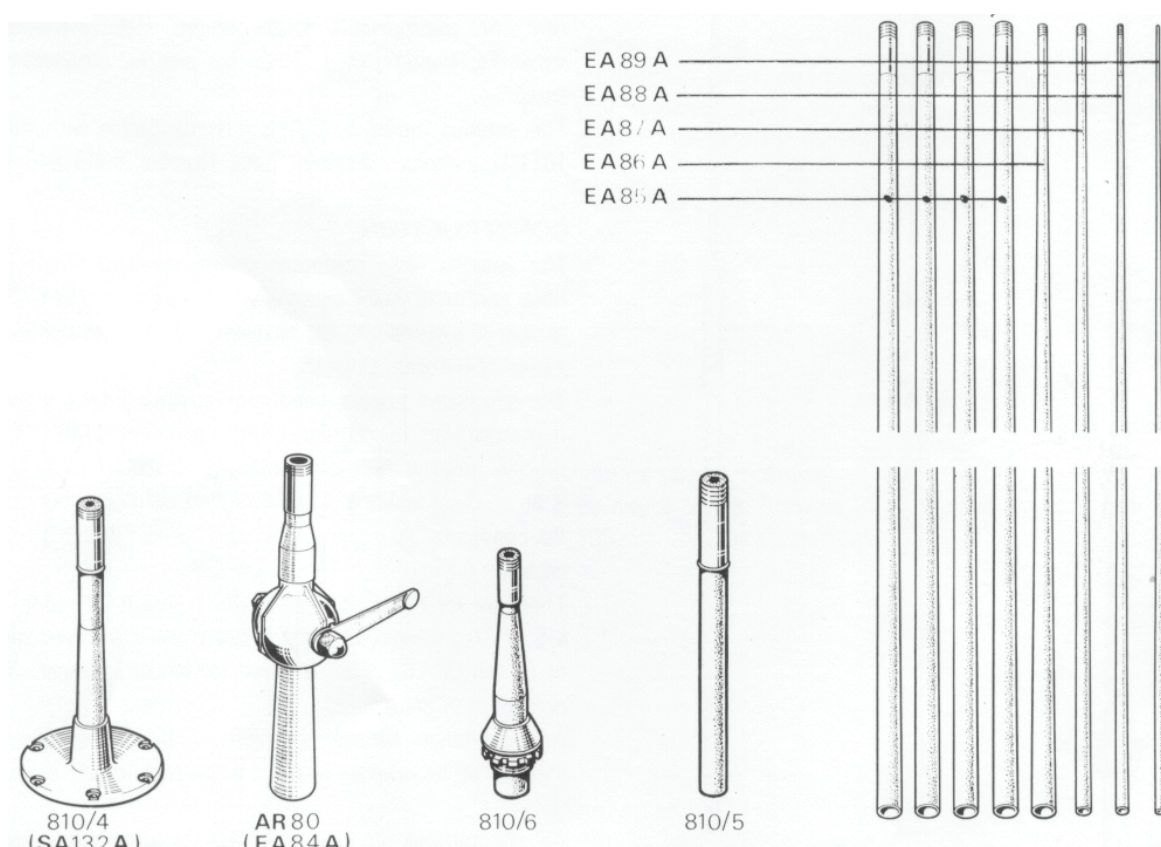
An aluminum bronze notched swivel mount allows the antenna to be lowered or tilted at an angle of 9° or its multiples.

All the sections are painted IR-NATO army green (sand or white optional).

The 813 series Antennas comprise to following variants:

Reference 813A (AN 360 A) (5985 14 042 0048)	Reference 813B	Reference 813C
10 m antenna for horizontal surface mounting	5 m antenna for mounting on MP 50 type support	5 m antenna for vertical surface mounting
1 EA 89 A section 1 EA 88 A section 1 EA 87 A section 1 EA 86 A section 4 EA 85 A sections 1 EA 84 A notched swivel mount 1 SA 132 A flanged base	1 EA 89 A section 1 EA 88 A section 1 EA 87 A section 1 EA 86 A section 1 EA 85 A section 1 810/6 base optional: 1 EA 84 A	1 EA 89 A section 1 EA 88 A section 1 EA 87 A section 1 EA 86 A section 1 EA 85 A section 1 810/5 base optional: 1 EA 84 A notched swivel mount notched swivel mount

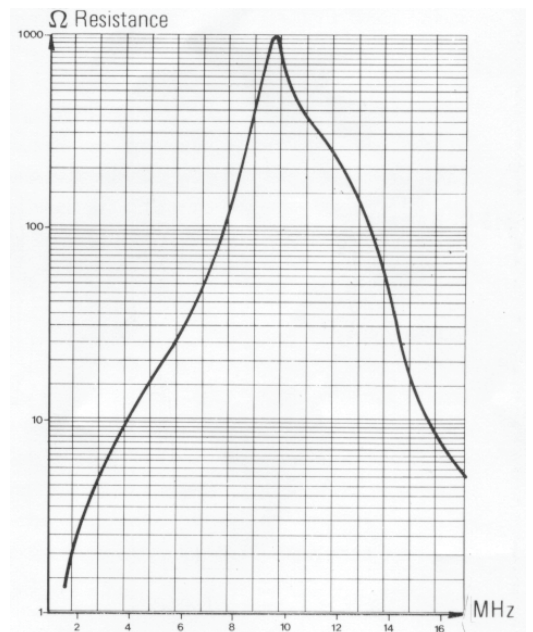
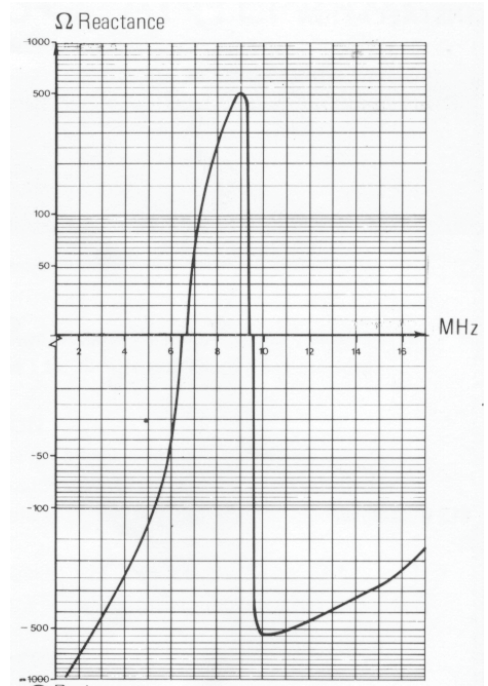
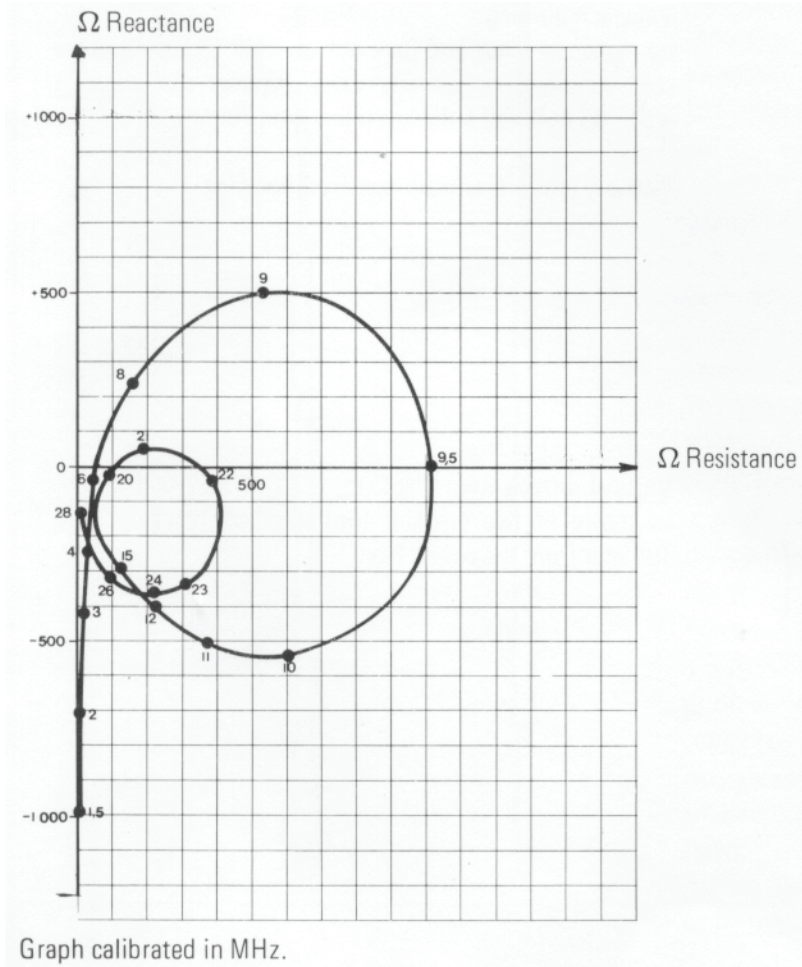
DIMENSIONS



Reference	N.S.N.	Length (mm)	male ball & socket joint Dia (mm)	female ball & socket joint Dia (mm)	mass (kg)
EA 89 A	5985 14 042 0055	1300	-	7	0.100
EA 88 A	5985 14 042 0054	1300	7	11	0.215
EA 87 A	5985 14 042 0053	1300	11	12	0.360
EA 86 A	5985 14 042 0052	1300	12	25	0.660
EA 85 A	5985 14 042 0051	1300	25	25	0.925
SA 132 A	5985 14 042 0050	532	25	-	5.250
EA 84 A	5985 14 042 0049	535	25	25	2.600

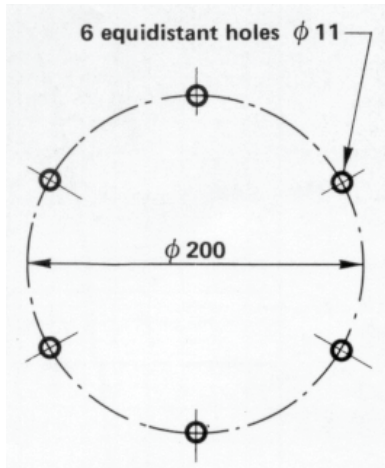
ELECTRICAL CHARACTERISTICS

Frequency range	1.5-30MHz
Polarization	vertical or horizontal
Peak power	1000W
Input impedance	see graph
Power feed	by very high voltage, non-armored, single-core cable and clip surrounding the base ferrule (see picture) or (810/6) lug.
Breakdown voltage	10 000 V as per MIL-A-55 288

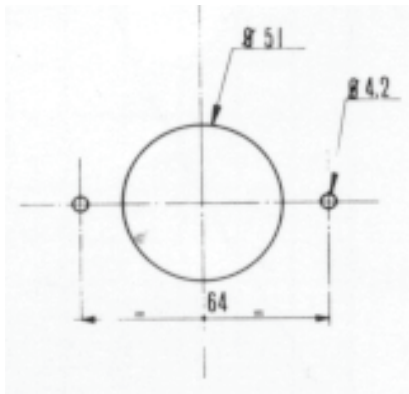


INSTALLATION

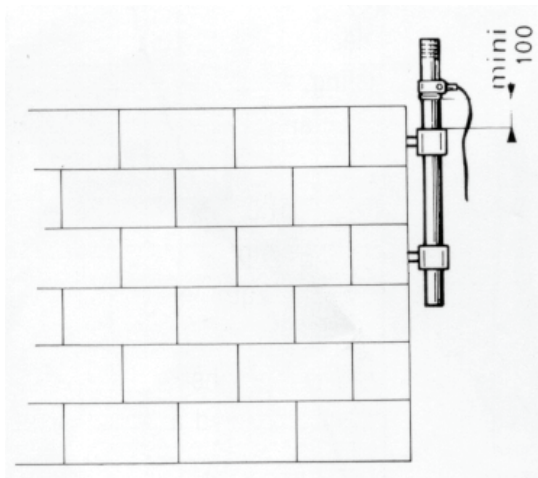
813 A antenna



813 B antenna



813 C antenna



When ordering, please specify:

- the reference number of the antenna
- EA 84 A notched swivel mount (Extra for 813 B and 813 C Antennas)

Ground installation:

by means of M10 bolts sunk into a concrete block. Bending moment : 110 daN.

In cases of low ground conductivity, an artificial ground plane must be installed.

Example : 8 radials, 1 mm' - section, length 5 meters, linked to earth by a central plug.

Vehicle mounting:

by means of a nut and lock nut on a MP 50 type support (not supplied) or on any other support containing a Dia 52 - 60 hole and a thickness less than 20 mm.

Two Dia 4.2mm pins prevent the base from rotating.

Vertical surface mounting:

by means of two brackets (not supplied) placed at least 100 mm from the power feed.