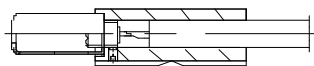
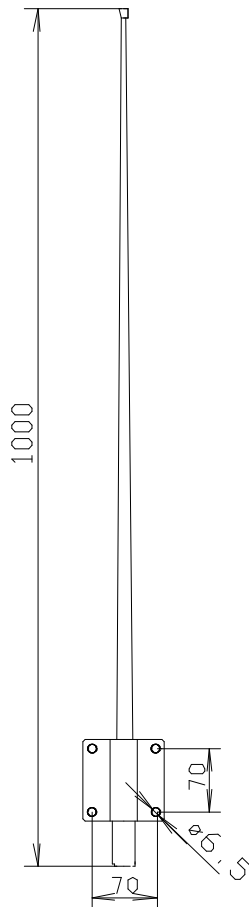
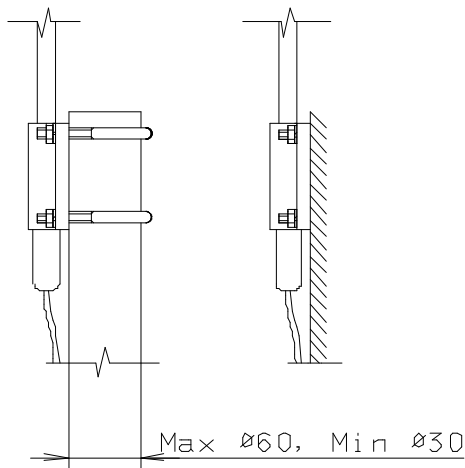


# COMROD AV10M

## Marine NMT450 Antenna



Connector



### Application:

AV10 is a high quality antenna designed to operate on the mobile telephone band (NMT). It is especially suited for marine use, as a base station antenna and for all applications where quality is essential.

### Electrical specifications:

Frequency range	450-470 MHz
Nominal impedance	50 ohm
Power rating	50 W
VSWR	1.5
Gain	5 dBi
Pattern	Horizontal plane: Omnidirectional Vertical 3db-width: 360
Polarization	Vertical
Connector	N female is standard
DC-grounded	Yes

### Mechanical specifications:

Design	Centered colinear dipole array. Radiating elements completely enclosed in polyurethane foam within a fiberglass tube. Mounting bracket in aluminium.
Height	1m (3 ft)
Weight	1 kg, including U-bolts
Wind rating	55 m/s = 125 mph
Finish	Polyurethane lacquer, white
Temperature range	-55 0C, +55 0C; -67 0F, +131 0F

### Mounting:

AV10 is easily mounted to the bulkhead by means of 4 holes in the aluminium bracket, or to a mast or tube with U-bolts. The tube may be horizontal or vertical. The U-bolts in stainless steel, are included. Suitable cable: RG8, RG213 or similar.