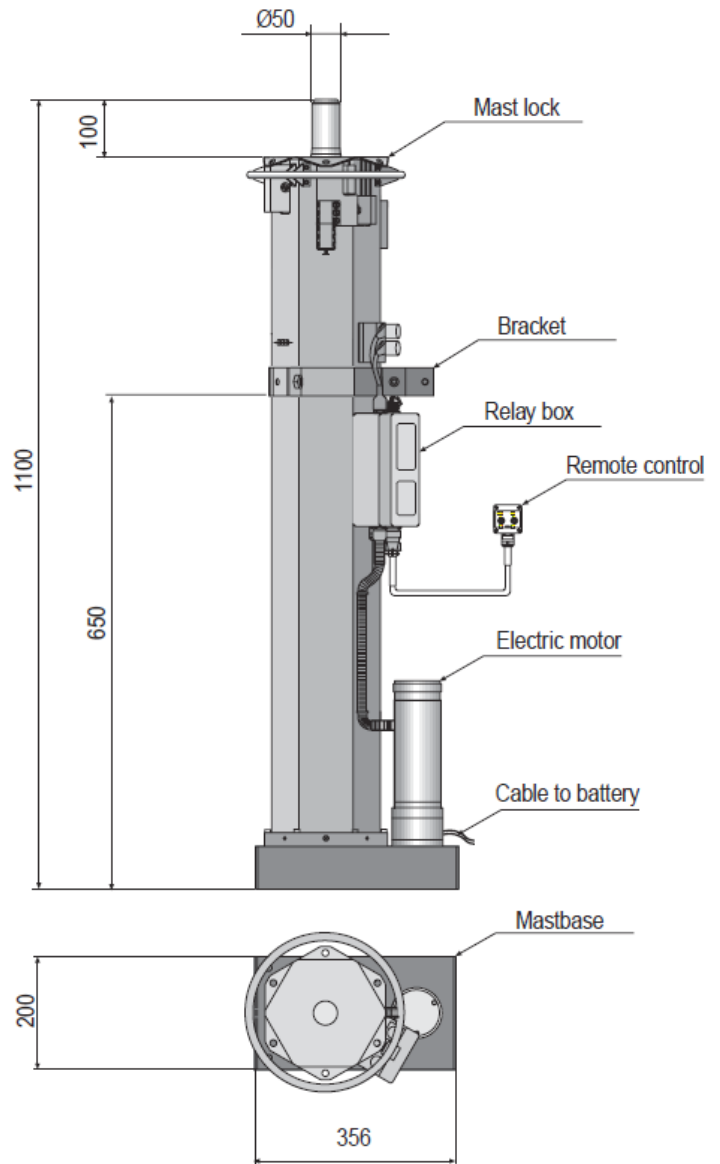




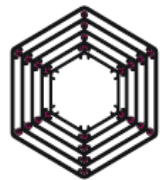
Compact Electric Powered Aluminium Telescopic Mast TM 170

Vehicle mounted telescopic mast for rapid deployment

The combination of proven Comrod telescopic mast technology and the Force XXI requirement for a rugged un-guyed mast to carry a heavy sensor package has produced the electric powered mast TM 170. The mast is made of extruded hexagonal and circular aluminium alloy tubes of progressively smaller size and tracked telescopic action, with screwed on or riveted fittings in stainless steel. The sections move inside each other on plastic guide-ways which provide the masts with excellent torsional resistance. The mast is elevated by an electric motor connected to a ball screw that lifts section 2. The other sections are raised by a rope system. No additional staying is required. Ten and fifteen meter variants of the TM 170 mast system are also available.



The hexagonal sections move inside each other on plastic guideways which provide the masts with excellent stability and torsional resistance.



MAST TYPE	TM 170/4.7-1.0	TM 170/10-1.9
Elevated Height	4.7m (15.5ft)	10m (33ft)
Retracted Height	1.0m (3ft)	1.9m (6ft)
Max. Headload Area	0.5m ² (5.5ft ²)	0.5m ² (5.5ft ²)
Number of Sections	7	7
Bottom Section Diameter	170mm (6.7in)	170mm (6.7in)
Top Section Diameter	66mm	66mm
Wind Speed Operational	25m/s (56mph)	25m/s (56mph)
Wind Speed Survival	44m/s (98mph)	44m/s (98mph)
Max Topload	90kg (198lbs)	90kg (198lbs)
Mast Weight	45kg (99lbs)	75kg (165lbs)
Elevation Time	20sec	40sec
Max Slope of Vehicle	10°	10°
Voltage	28Vdc	28Vdc