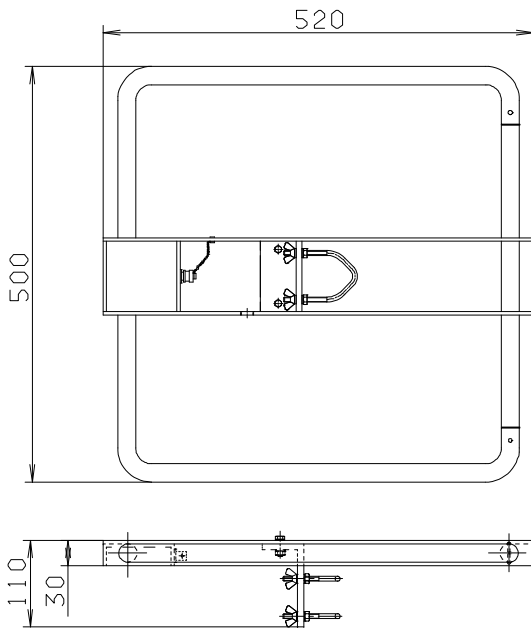


COMROD AR88108

88-108MHz Receiving antenna

Application:

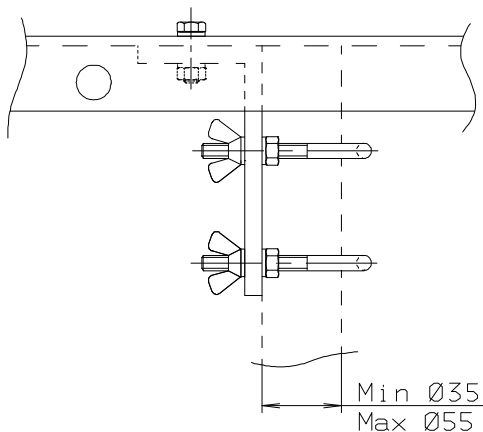
The AR88108 is a robust and light weight omnidirectional horizontally polarized receiving antenna for the FM broadcast band. It's low VSWR and good pattern gives it superior performance compared to other antennas for this application. AR88108 is used both on ships, vehicles and in portable applications with a mast. One use is the reception of differential GPS correction signals in those countries where these are sent via the FM broadcast network.



Electrical specifications:

Frequency range	87.5 - 108MHz
VSWR	< 3:1
Nominal impedance	50 ohm
Power rating	Receiving
Gain	-4 - 0dBi
Radiation pattern	Omnidirectional within ± 3 dB
Polarization	Horizontal
Connector	BNC, or custom specified

The antenna can also be delivered without high voltage protection, this is for normal for civilian use. It is also available in a collapsible version, where the elements easily can be removed.



Mechanical specifications:

Design	U shaped dipole, made from aluminium and fibreglass reinforced polyester..
Size	520x500x 30 (110) mm
Weight	1.9 kg
Wind rating	55 m/s = 125 mph
Finish	Polyurethane lacquer, olive drab, UV specified.
Temperature range	-55 °C, +55 °C; -67 °F, +131 °F
Mounting	On $\phi 35$ to $\phi 55$ mm tube

Also available with different mounting configurations.