

### Application

UHF427M is a wideband dipole antenna designed for LTE frequency bands. It is a high quality antenna with a durable construction and a beautiful finish for installation on all kinds of vessels. The base also makes it easy to directly install onto buildings.

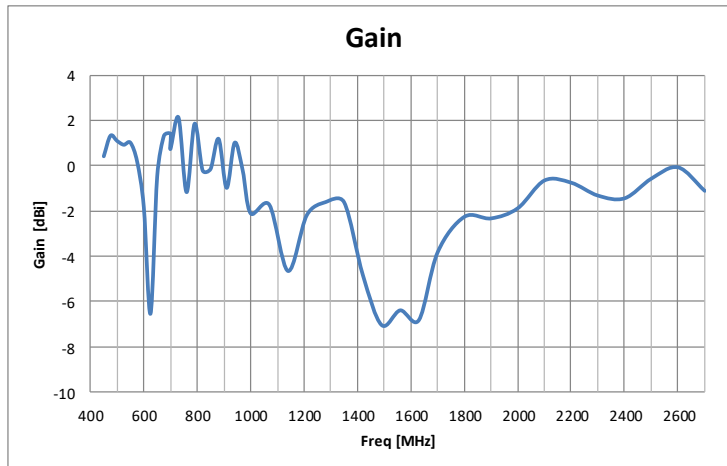
### Electrical specifications:

Frequency range	450-470 MHz 698-960 MHz 1710-2690 MHz
VSWR	2.5:1 typical (max 3:1)
Nominal impedance	50Ω
Power rating	20W
Gain	Average 1dBi, minimum -3dBi (see curve)
Radiation pattern	Omnidirectional
Polarization	Vertical
Connector	N Type Female

### Mechanical specifications:

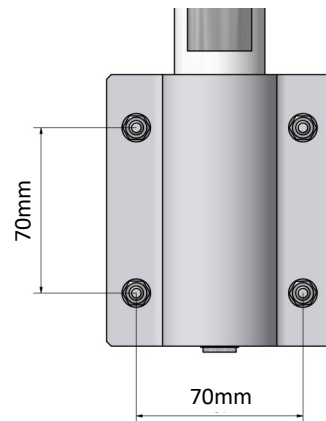
Design	Dipole element. Radiating elements completely enclosed in epoxy/fiberglass laminate. Metal parts are brass, aluminum and stainless steel.
Length	50cm (20 in)
Weight	1.0 kg (2.2 lbs)
Mounting	30-60mm tube (U-bolts) Direct wall mount
Wind rating	55m/s (123 mph)
Finish	Polyurethane lacquer
Temperature range	-55°C to +71°C, -67°F to +160°F

## Gain Curve



## Tube or wall mount

UHF427M is easily mounted to the bulkhead by means of 4 holes in the aluminum bracket, or to a mast or tube with the U-bolts. The tube may be horizontal or vertical. The stainless steel U-bolts are included. Suitable cable: RG58, RG213 or similar.



N female connector