

Application

The VHF108200M is a broadband centre fed (dipole) antenna covering the 108-200 MHz frequency range.

The antenna needs no adjustments for different frequencies as all the tuning elements are within the whip.

As a centre fed (dipole) antenna it operates independently of any ground plane.

Electrical specifications

Frequency range	108-200 MHz
VSWR	< 3:1 108-185 MHz < 3.5:1 185-200 MHz (see diagram overleaf)
Nominal impedance	50 ohm
Power rating	50 W continuous for 15 minutes
Gain	See curve
Radiation pattern	Azimuth: Omnidirectional Elevation: See diagram
Polarisation	Vertical
Connector	N female, DC grounded (others on request)

Mechanical specifications

Design	Centre fed dipole. Radiating element completely enclosed in epoxy/fibreglass laminate. Metal parts are brass and stainless steel.
Length	1.35 m
Weight	1.7 kg
Wind rating	55 m/s = 125 mph
Finish	Polyurethane lacquer, olive drab.
Temperature range	-55 °C, +71°C; -67 °F, +160 °F
Installation	See over page

Mounting

Pole Mounting

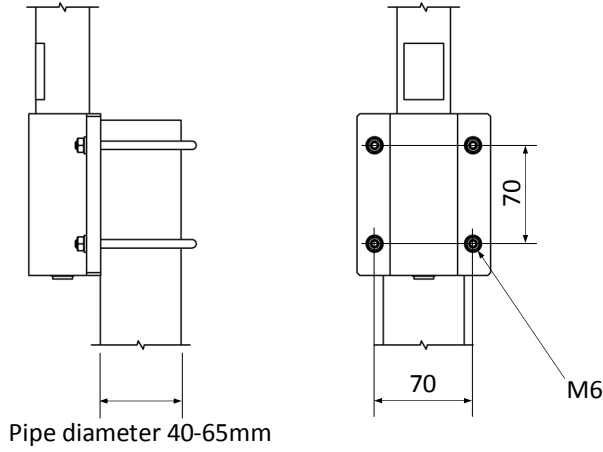
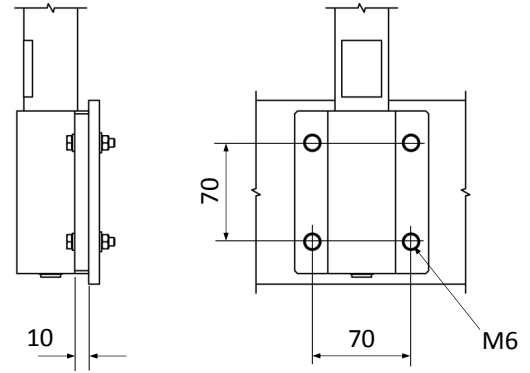
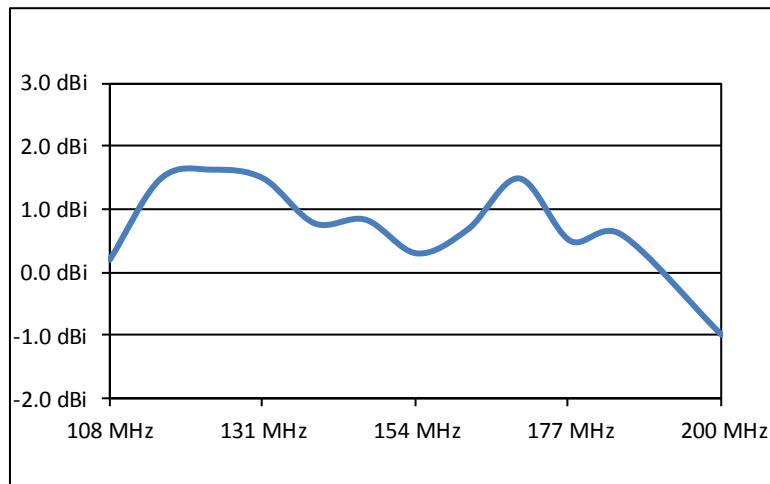


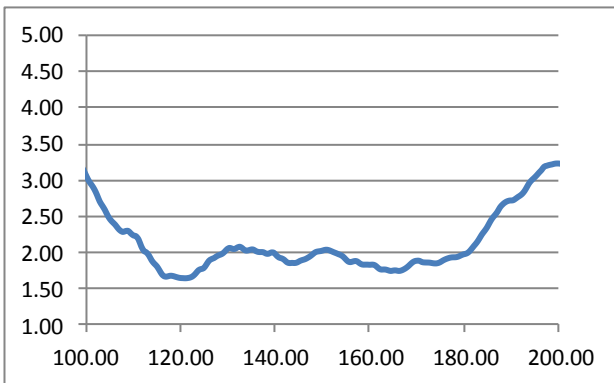
Plate Mounting



Gain



VSWR



Radiation pattern (typical elevation)

