

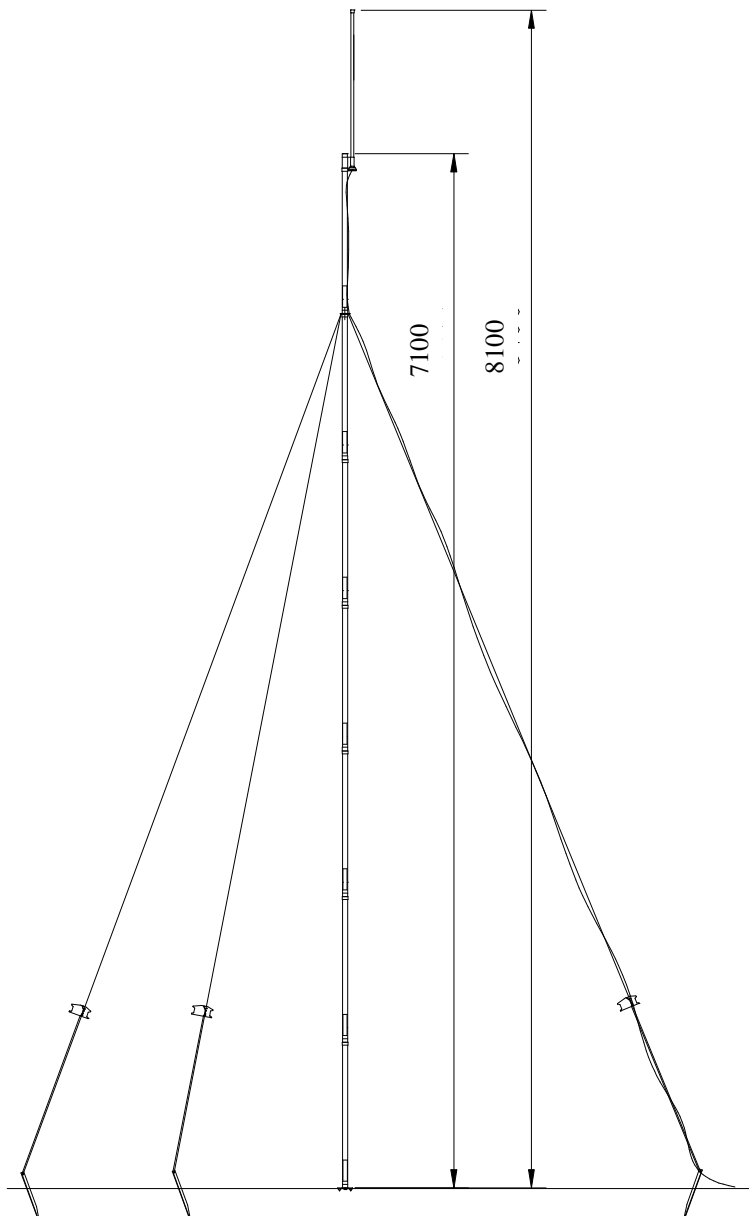
COMROD HA338

Light weight mast with VHF antenna

Application:

The HA338 is the combination of a very light weight mast, the Comrod AMX70 with a light weight VHF antenna. The mast, antenna and accessories are packed in one bag with shoulder strap.

The HA338 system is easily carried and erected by one person.



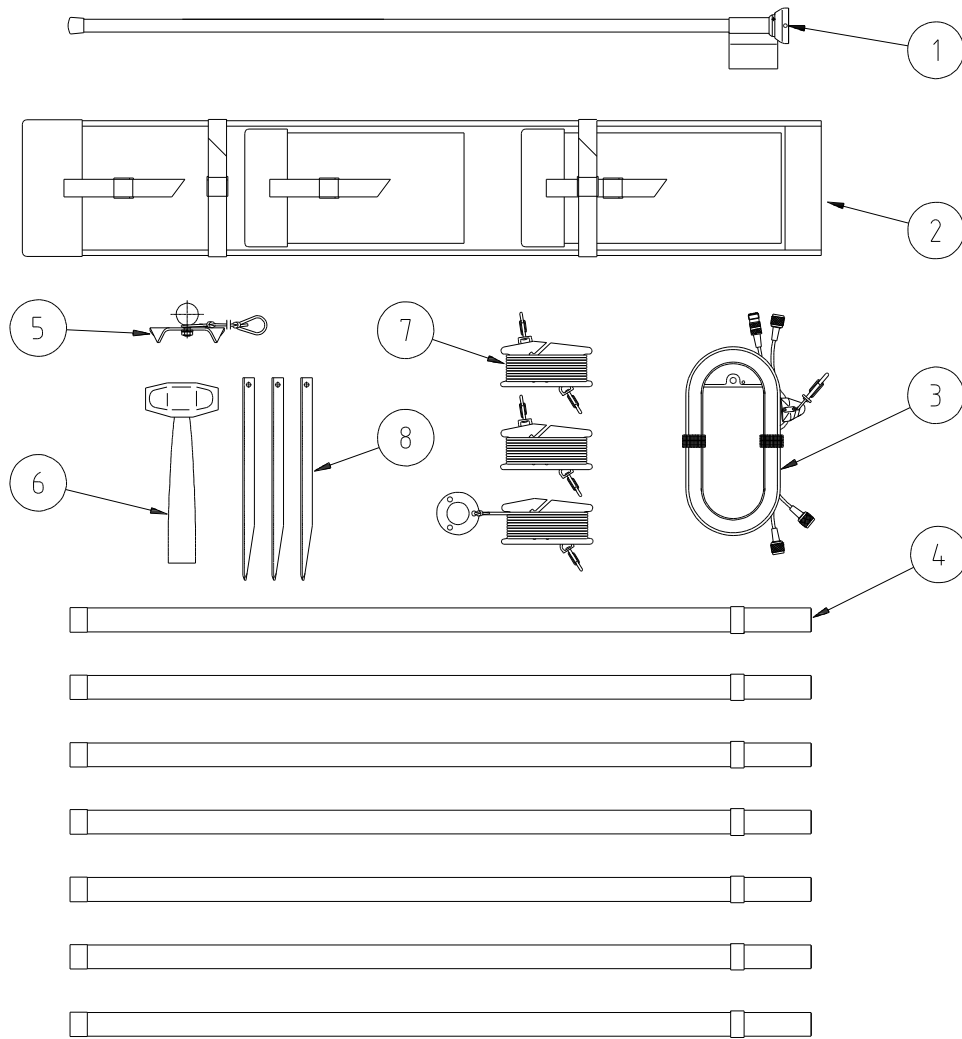
Specifications:

Frequency range	151.7 - 153.9MHz, but can be modified for other frequencies.
VSWR	< 1.5
Power rating	50 W
Connector	UHF female
Antenna design	Center fed coaxial dipole.
Mast sections:	7 pcs. 1 m each. Fibre glass composite. Polyurethane lacquer, olive drab finish.
Guy:	3 pcs, 3mm braided line on winder with adjustable lock and hooks each end.
Guy pegs:	3 pcs aluminum.
Carrying bag:	Strong PVC coated nylon. Separate pocket for accessories.
Base support:	Aluminum plate with ball for easy erection
Temperature range:	-55 °C, +71 °C; -67 °F, +160 °F

Weight and measures:

Length, total:	8.05 m	
Total, weight standard version:	120 x 25 x	4.0 kg
Mast sections:	7 sections 1.1 m	2.1 kg
Antenna:	1	0.7 kg
Guy rope with winder:	3cs. 8 m line	0.3 kg
Guy pegs:	3 pcs. 30 cm	0.4 kg
Hammer:	1	0.45 kg
Base hinge:	1	0.15 kg
Carrying bag:	1 pc. 1.2 m	0.5 kg

Description of package:



Part	Description	Quantity	Comment
1	Antenna	1	
2	Carrying bag	7	
3	Cable assembly	1	15m RG58
4	Mast sections	7	
5	Base plate with Measuring line	1	
6	Hammer	1	
7	Guy rope on winder	3	
8	Guy pegs	3	