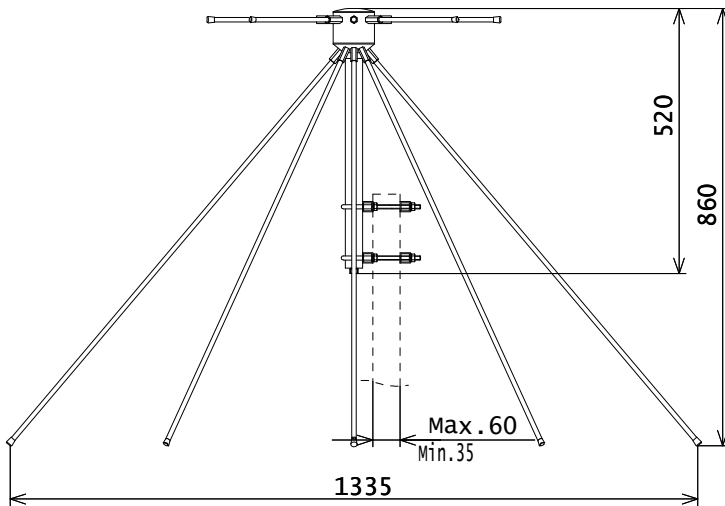


COMROD AV21

VHF discone antenna, 100-400 MHz



Application:

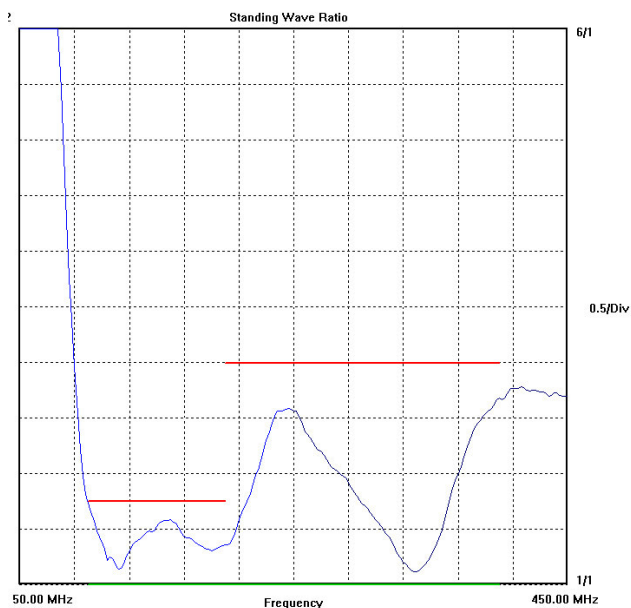
AV 21 is primarily designed for ground to air communications. Having omnidirectional, broadband characteristics it is well suited as a base station antenna. Also available in high powered versions, and with foldable whips.

Electrical specifications:

Frequency range	100 - 400 MHz
Characteristic impedance	50 Ω
Max. power	300 W
Polarization	Vertical
Radiation pattern	Azimuth: Omnidirectional
Gain	2 dBi
VSWR	< 1.75 100-200MHz < 3 200-400MHz

Mechanical specifications:

Design	Conductor completely enclosed in high quality epoxy / fiberglass laminate. Metal parts are brass, elzinc plated and chromated.
Finish	Polyurethane lacquer, olive drab.
Temperature range:	-55 °C, +55 °C; -67 °F, +131 °F



Typical VSWR curve