



Fully deployed mast shown with optional tripod assembly

Overview

- The MT 100 / 8-1.6 is a push-up 8m (26 ft) composite telescopic mast designed to support headloads up to 7 kg (15 lbs)*
- Composite GRP tube material offers exceptional stiffness and lightweight.
- Unique bayonet mechanism for locking tubes into position. Lift tube, twist and drop into locked position. No complicated tube clamping mechanism.
- Fully extended height 8m (26 ft). Mast can also be used at lower heights as required.
- Retracted height 1.65m (5 ft 5").
- Suitable for elevating lighter top loads such as omnidirectional antennas, wire antennas, sensors and optronic equipment.
- Suitable for military and professional applications.
- Metal parts are plated and painted.
- Supplied with ground mounting kit as standard.
- Tripod mounting assembly available. Manufactured from lightweight GRP composite material.
- Vehicle and shelter mounting brackets available. Brackets also available with slope compensation and 90° tilt system for stowage.

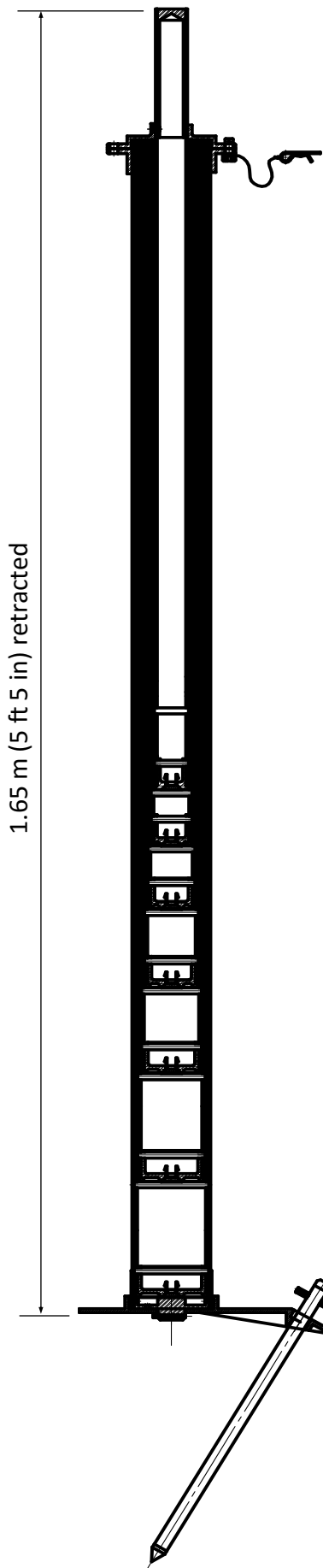


Bayonet tube locking system



GRP composite tube sections

Mechanical Specification

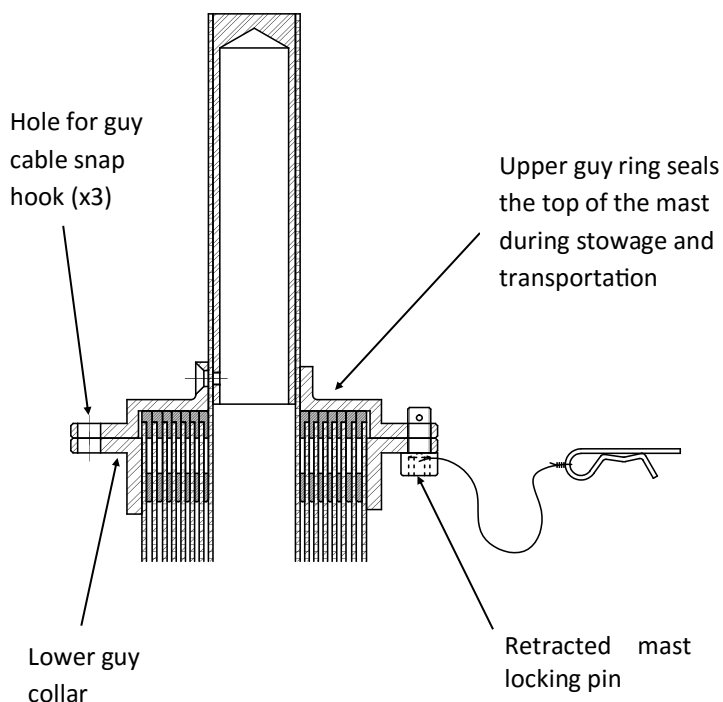


Extended height	8 m (26 ft)
Retracted height	1.65m (5 ft 5 ins)
Upper adaptor	40mm diameter spigot (1.57 ins)
Weight (mast only)	9.5 kg (20.9 lbs)
Maximum headload *	7 kg (15 lbs)
Material	Composite epoxy, GRP
Installation	Ground mounted with 3-way guys
Colour	NATO army green 24x5 (other colours available)
Temperature range (operational)	-30°C to +55°C (-22°F to 131°F)
Temperature range	-40°C to +70°C (-40°F to 158°F)
Setup time	10 minutes (two operators)

* Maximum mast headload subject to wind surface area

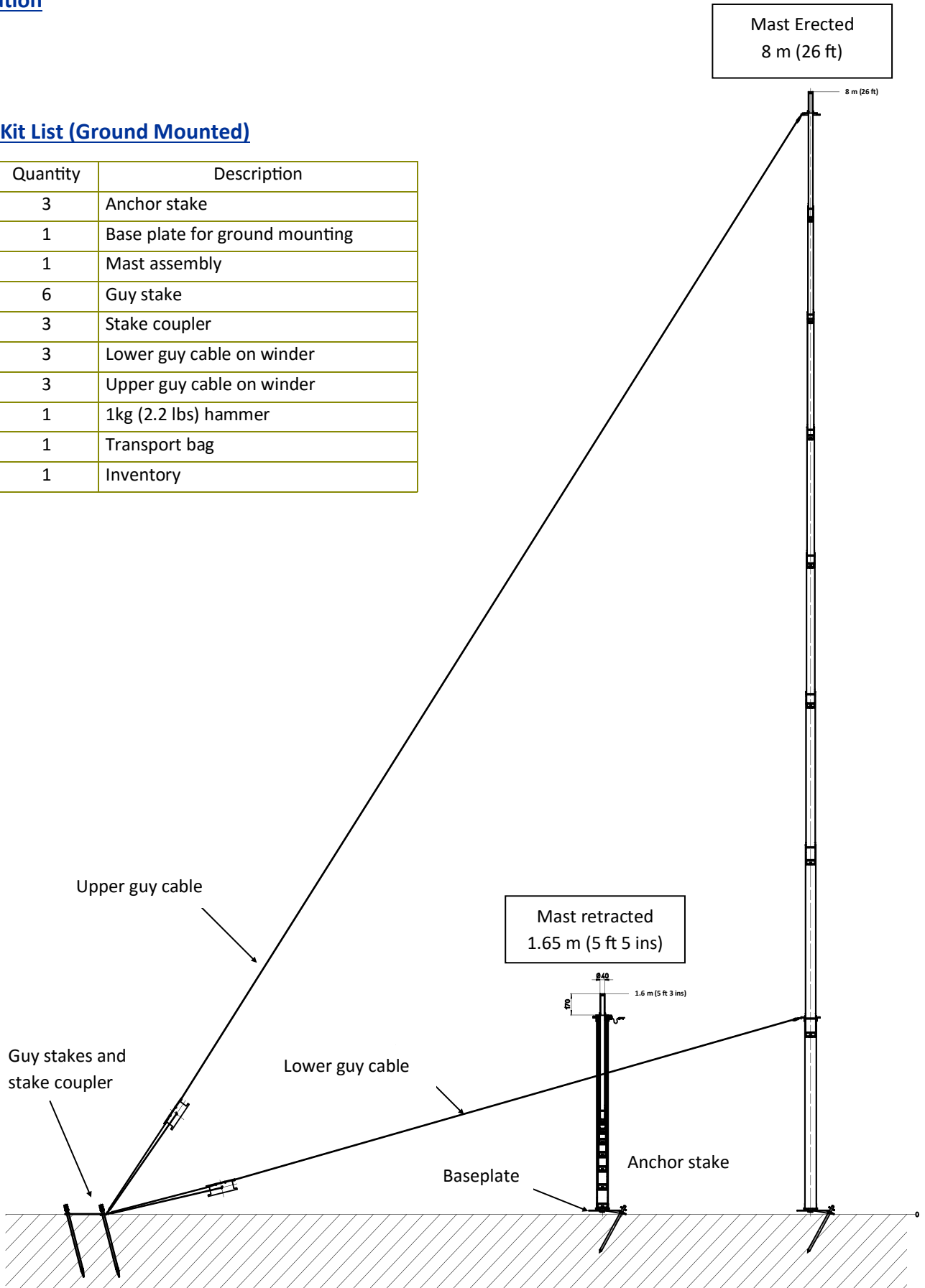
Packing and Transportation

Standard packaging (ground mounted): 1 bag for mast accessories. The mast is not packed in a bag as the top cap seals the top of the mast when retracted (see sketch below). An optional mast bag is available on request. The maximum length for transport is 1.7 m (5 ft 6 ins)



Kit List (Ground Mounted)

Quantity	Description
3	Anchor stake
1	Base plate for ground mounting
1	Mast assembly
6	Guy stake
3	Stake coupler
3	Lower guy cable on winder
3	Upper guy cable on winder
1	1kg (2.2 lbs) hammer
1	Transport bag
1	Inventory



Standard installation : ground mounted with guy cables