



Flange on top of mast

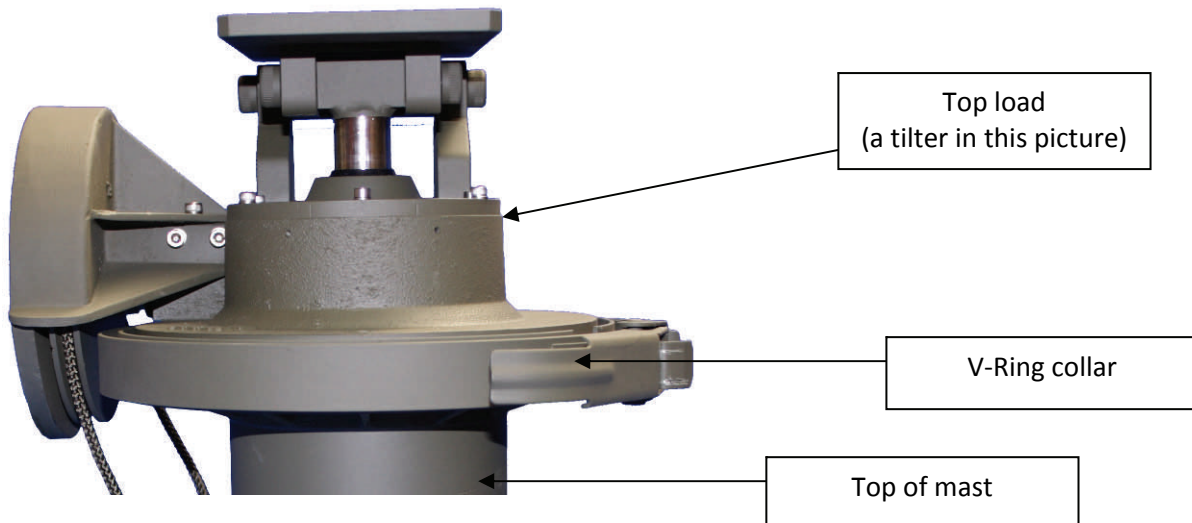
GENERAL DESCRIPTION

Most of COMROD masts can be delivered with a fast securing system for the topload (antenna, camera, platform, rotator...), called V-Ring collar. This system needs no tool (such as screwdrivers, wrenches...) and provide a very rigid connection between the mast and the topload.

The top of the mast and the bracket of the topload are flanges of the same diameter (see next page) secured by a V-shape metallic collar.

APPLICATION

Mostly used when pointing accuracy and speed of deployment are critical.



HOW TO ADAPT TO COMROD FLANGE FOR V-RING COLLAR

The following sketch provides all information necessary to adapt your antenna/camera/platform to the COMROD standard flange for V-Ring collar:

