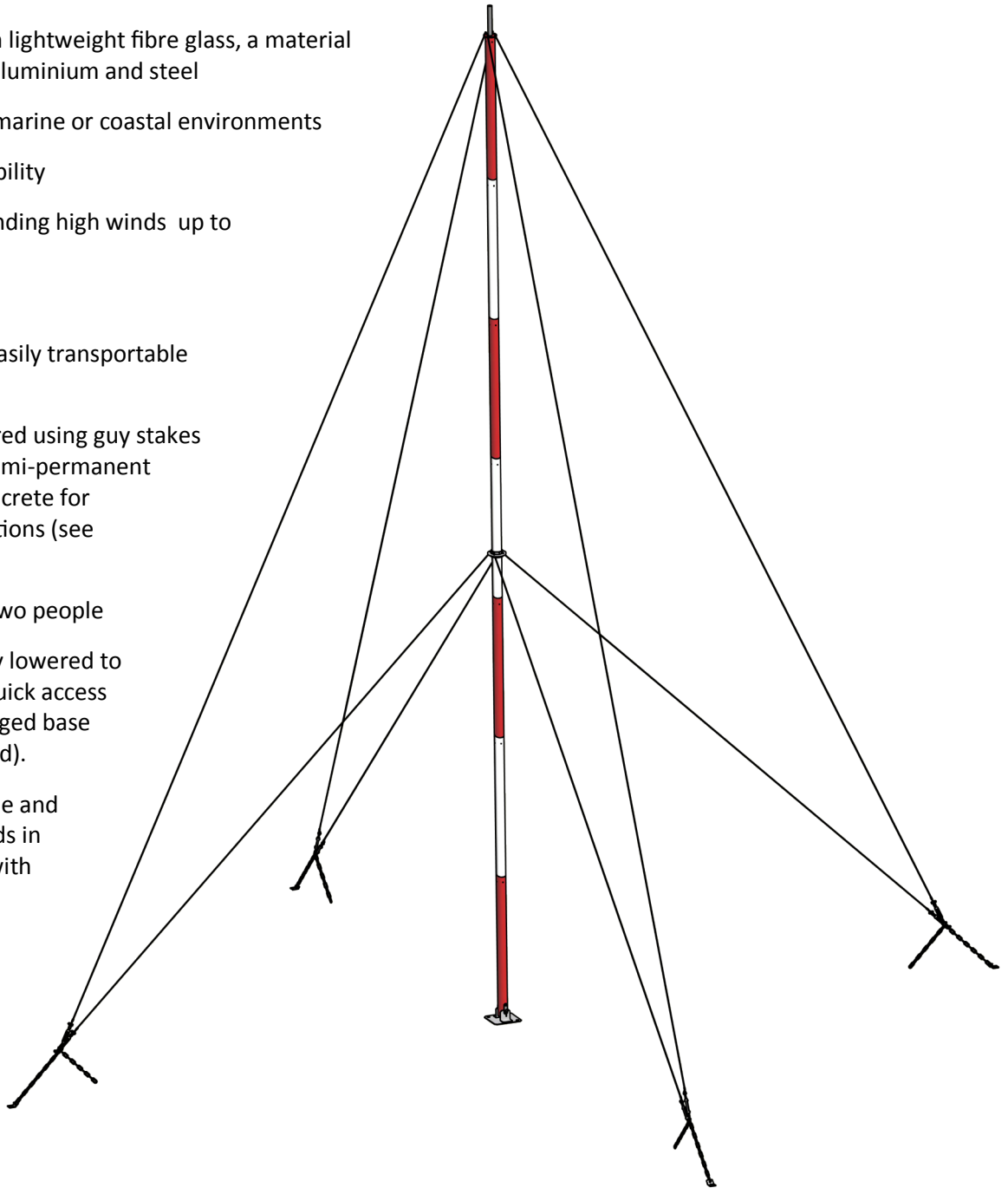


The frangible Comrod HS 92/10-1.5 mast is specially designed to support weather forecast instruments in high wind environments. It is particularly suited to environmental studies where accurate measurement is required. Approved and used by the METEO FRANCE, Comrod masts are the superior choice for weather forecast professionals.

- 10 metre height
- Manufactured from lightweight fibre glass, a material much lighter than aluminium and steel
- Highly resistant to marine or coastal environments
- 10kg top load capability
- Capable of withstanding high winds up to 300 km/h*
- Lightning protected
- Collapsed mast is easily transportable in a car.
- Guys can be anchored using guy stakes for temporary or semi-permanent installations, or concrete for permanent installations (see diagram)
- Easily installed by two people
- Mast can be quickly lowered to provide easy and quick access to the top load (hinged base supplied as standard).
- The mast is frangible and so usable on airfields in case of a collision with an airplane.
- Top interface can be adapted to suit the client top load



Specification

Height	10 m
Mast Sections	7
Mast weight	~ 50 kg
Maximum headload *	10 kg
People to erect	2
Mounting time	60 mins

* Subject ground conditions



Hinged baseplate



Mast fully deployed

Options

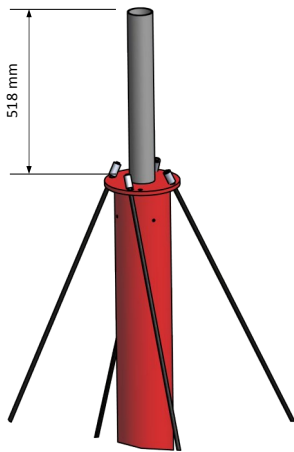


Mast can be raised or lowered safely using the optional gin-pole and pulley

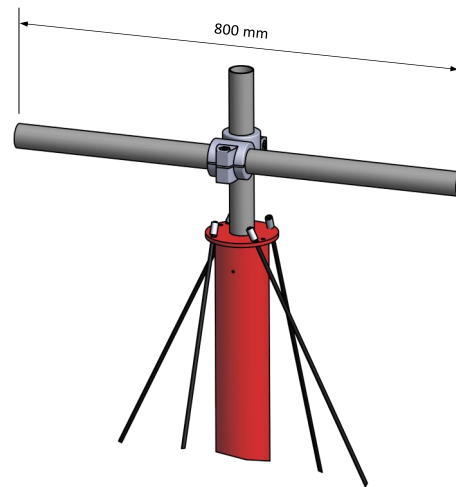
Comrod France, Chemin des Hamrides, BP10119, 59732 Saint Amand Les Eaux, France
Tel +33 3 27 22 85 50 • Fax +33 3 27 22 85 55 • Email: sales@comrod.fr

Top Mounting Options

Two top mounting options are available to suite the customer top load. Standard aluminium tube mountings can be supplied as shown below.

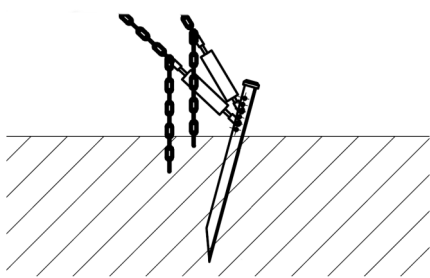


Top Mounting Tube
Ø42/38 x 518mm

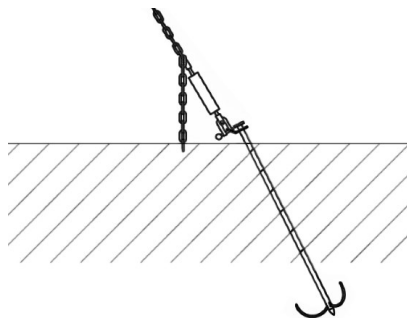


Top Mounting Tube
with Cross Support
Ø42/38 x 800mm

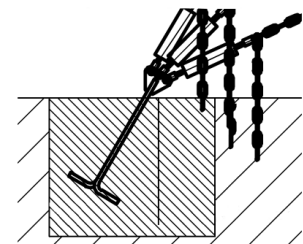
Stake & Anchor Options



Simple Stake
Temporary or
semi-permanent
installation



Ground Anchor
Hammer-in for
permanent installations



Concrete Anchor
For permanent
installations