



### DESCRIPTION

Tripod used for installation of a Line Of Sight (LOS) on the roof or balcony of a building. This tripod can also be installed on tactical field using an optional kit. The design of this tripod allows for operation in severe environment. A grounding kit is provided with the tripod (stakes and cable). The tripod is provided with 2 V-ring collars for antenna and positioner installation.

### CONSTRUCTION

This tripod is made of telescopic legs in composite materials (Fibreglass reinforced plastic) with a quick locking system. All metallic parts are protected against corrosion. Three bars and six belts are rigidifying the tripod to reach the highest pointing accuracy requirements.

### MECHANICAL & ENVIRONMENTAL SPECIFICATIONS

Weights -	
Tripod & Accessories	40.8 kg
Tactical field kit	21.4 kg
Grounding kit	5.0 kg
Maximum headload	30 kg
Maximum wind area	Ø60 dish
Permissible slope	±10 degrees
Deployment time	10 minutes
Number of operators	2
Pointing accuracy	±1.2 degrees
Deployed height	1.9 m
Storage	2 bags
Wind:	
Deployment	80 km/h
Operation	140 km/h
Temperature range -	
Operational	-40° to +55°C
Storage	-40° to +71°C
Guying	2 level of 3 guys
Anchoring	3 points with double stakes
Guys material	Aramid
Standard colour	IR-NATO 24x5 Green (black plated parts)
Set up time by 2 persons	<8mn

**Comrod A/S - Norway**

Tel (+47) 51740500 • Fax (+47) 51740501  
email: [sales@comrod.com](mailto:sales@comrod.com)

**Comrod SAS - France**

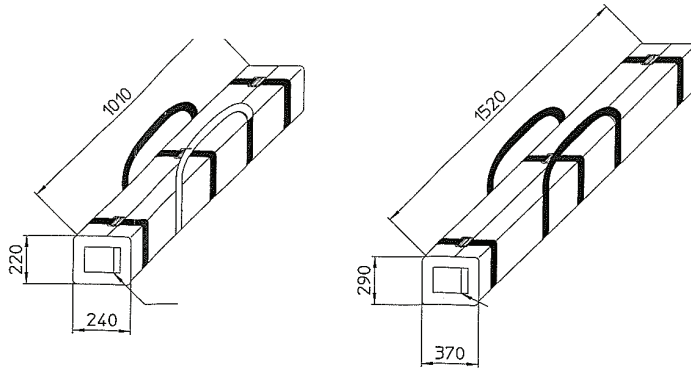
Tel (+33) 327228550 • Fax (+33) 327228555  
email: [sales@comrod.fr](mailto:sales@comrod.fr)

**Comrod UK - United Kingdom**

Tel (+44) 2380302494 • Fax (+44) 2380302195  
email: [salesuk@comrod.com](mailto:salesuk@comrod.com)

**KIT CONTENTS**

A tripod, with full options (kits for tactical field and grounding), is made of the following equipment:



<b>Bag 1</b>	<b>Tripod assembly</b>	<b>Bag 2</b>	<b>Accessories</b>
Qty	Description	Qty	Description
3	Rigidifying Brackets	1	Bag
1	Barrel	6	Anchor stake
1	5kg hammer	3	Guy stake
3	Telescopic Legs	6	Fast tensioner (2m)
1	Bag	3	Fast tensioner (7m)
		1	Grounding cable (5m)
		1	Grounding cable (4m)
		1	Grounding cable (1m)
		2	Ground stake
		1	Belt for tripod transport
		2	V-Ring collar