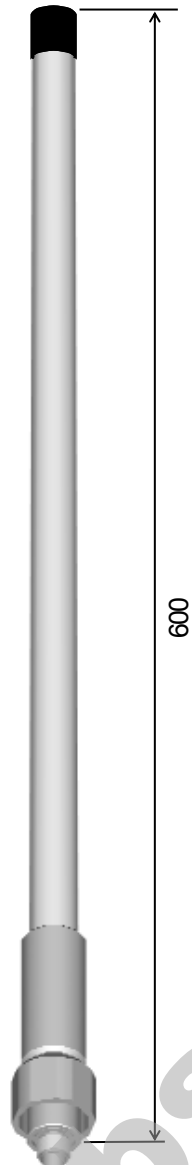


COMROD AV55P2

8dBi WLAN Antenna



Application:

AV55P2 is a high gain antenna for wireless LAN that complies with the IEEE802.11g. The antenna is omnidirectional and has a beamwidth of 25° which should be suitable for installations on vessels that can heel. It is a high quality antenna with a durable construction and a

Electrical specifications:

Frequency range	2400 - 2480MHz
VSWR	1.8
Nominal impedance	50 ohm
Power rating	5 W
Gain	8 dBi
Polarization	Vertical
Connector	N female

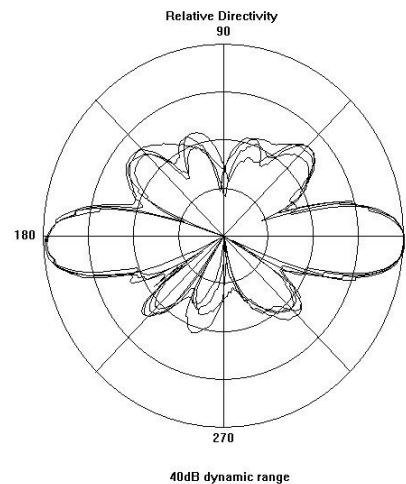
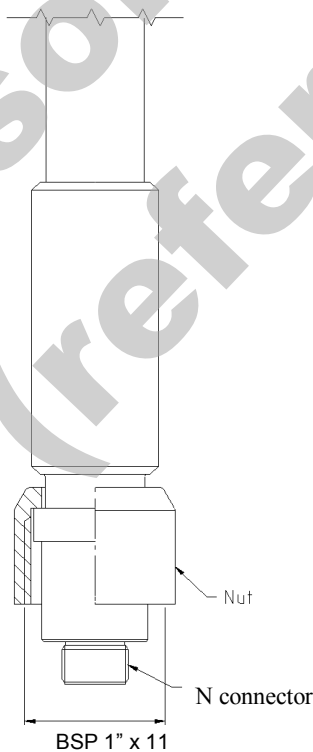
Mechanical specifications:

Design	Phased $\lambda/2$ elements in a collinear array with a coaxial choking sleeve to suppress cable radiation. Radiating elements completely enclosed in polyurethane foam within a fiberglass tube.
Height	0.55m
Weight	0.5 kg
Wind rating	55 m/s = 125 mph
Finish	Polyurethane lacquer, white
Temperature range	-40°C, +50°C; + -28 °F, +122°F

Mounting:

The AV55P2 is fitted with BSP"x11 female ferrules.
 Can be used with all standard mounting accessories.

BSP: British Standard Pipe



Radiation pattern for 2400, 2420, 2460 and 2480MHz