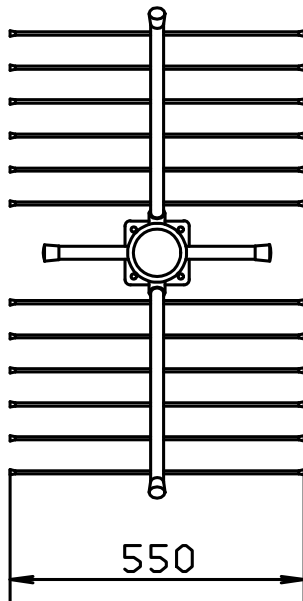
**Application:**

AV40-330 is a halfwave dipole with a 90° cornerreflector designed for fairfield ILS-glidepath monitoring. Weather protection is achieved by embedding all conductors in glassfibre reinforced polyester. Cavities are filled with polyurethane foam.

**Electrical specifications:**

Frequency range	328-336 MHz
Nominal impedance	50 ohm
Power rating	50 W
Gain	9.5 dBi
3-db beamwidth E-plane:	+/- 30°
3-db beamwidth H-plane:	+/- 32°
Polarization	Linear
Connector	N-connector female
VSWR	< 1.5



Dimensions in mm.

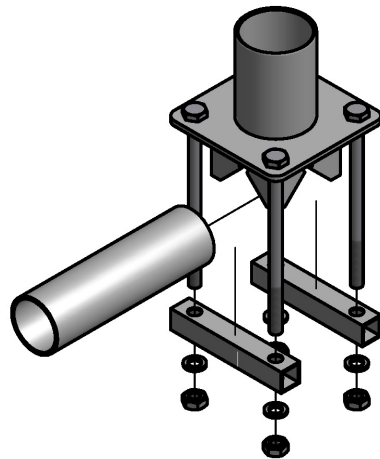
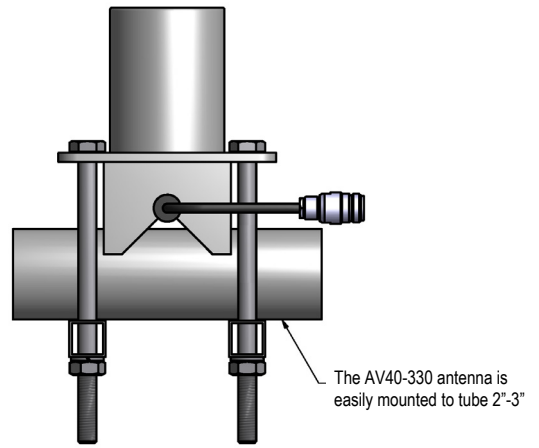
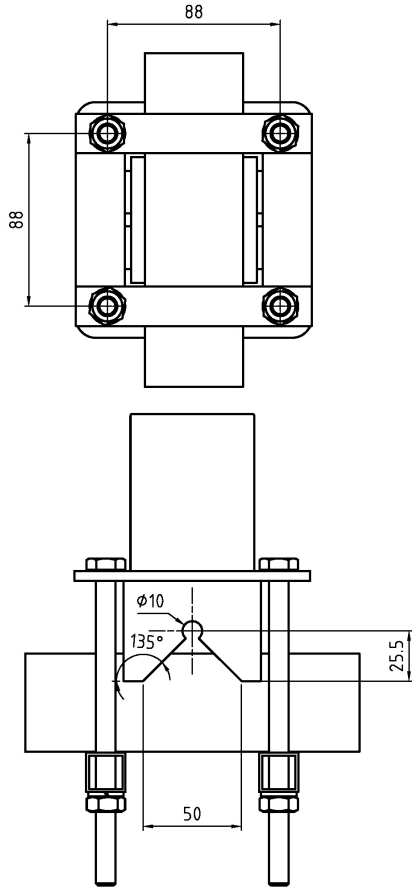
**Mechanical specifications:**

Design	Halfwave dipole. Radiating elements completely enclosed in polyurethane foam within a fiberglass tube. Hot dip galvanized mounting hardware.
Height	see drawing
Weight	2.6 kg
Wind rating	55 m/s = 125 mph
Finish	Polyurethane lacquer, white
Temperature range	-55 °C, +55 °C; -67 °F, +131 °F

**Mounting:**

The AV40-330 antenna is easily mounted to tube 2"-3". The mounting hardware is suitable for both horizontal and vertical polarization.

Suitable cable: RG8, RG213 or similar.



The mounting hardware is suitable for both horizontal and vertical polarization